



US00D352278S

United States Patent [19]

[11] Patent Number: Des. 352,278

Sharpe, III et al.

[45] Date of Patent: ** Nov. 8, 1994

[54] COMBINED SLIDER AND KEY PAD INPUT DEVICE FOR A COMPUTER

[75] Inventors: Henry Sharpe, III; Ralph Beckman, both of Providence, R.I.; Jim McKain, Andover, Mass.; Thomas Ohanian, Cranston, R.I.

[73] Assignee: Avid Technology, Inc., Del.

[**] Term: 14 Years

[21] Appl. No.: 929,797

[22] Filed: Aug. 13, 1992

[52] U.S. Cl. D14/100; D14/115; D16/246

[58] Field of Search 345/156, 157, 160, 168, 345/169, 172; 364/900; 200/5 A, 5 R, 6 A, 6 R; 434/202, 418; D14/100, 107, 114, 113; D19/35, 38, 39; D16/237, 246

[56] References Cited

U.S. PATENT DOCUMENTS

D. 299,140	12/1988	Nakamura	D14/114
D. 331,398	12/1992	Clouss et al.	D14/114
3,675,208	7/1972	Bard	345/157 X
4,100,607	7/1978	Skinner	364/900
4,670,743	6/1987	Zemke	340/709
4,799,049	1/1989	Avila	345/157
4,954,817	9/1990	Levine	D14/114 X
5,050,061	9/1991	Nishio	364/900
5,063,376	11/1991	Chang	345/169 X
5,119,078	6/1992	Grant	345/172
5,175,534	12/1992	Thatcher	345/157 X

OTHER PUBLICATIONS

Packaging for Logitech Trackman High Precision Stationary Mouse, 1991.

Primary Examiner—Wallace R. Burke
Assistant Examiner—Freda S. Nunn
Attorney, Agent, or Firm—Wolf, Greenfield & Sacks

[57] CLAIM

The ornamental design for a combined slider and key pad input device for a computer, as shown and described.

DESCRIPTION

FIG. 1 is a top end and side perspective view of a combined slider and key pad input device for a computer showing our new design with the key pad being moved to expose a portion of the slider;

FIG. 2 is a top opposite end and side perspective view thereof;

FIG. 3 is a top end and side perspective view thereof with the slider and key pad in a fully closed position;

FIG. 4 is an opposite side elevation view thereof of FIG. 1;

FIG. 5 is an opposite side elevation thereof of FIG. 3;

FIG. 6 is an opposite side elevation thereof of FIG. 2;

FIG. 7 is a top plan view thereof of FIG. 2;

FIG. 8 is a side elevation view thereof of FIG. 2;

FIG. 9 is a bottom plan view thereof of FIG. 2;

FIG. 10 is a top plan view thereof of FIG. 1;

FIG. 11 is a side elevation view thereof of FIG. 1;

FIG. 12 is a bottom plan view thereof of FIG. 1;

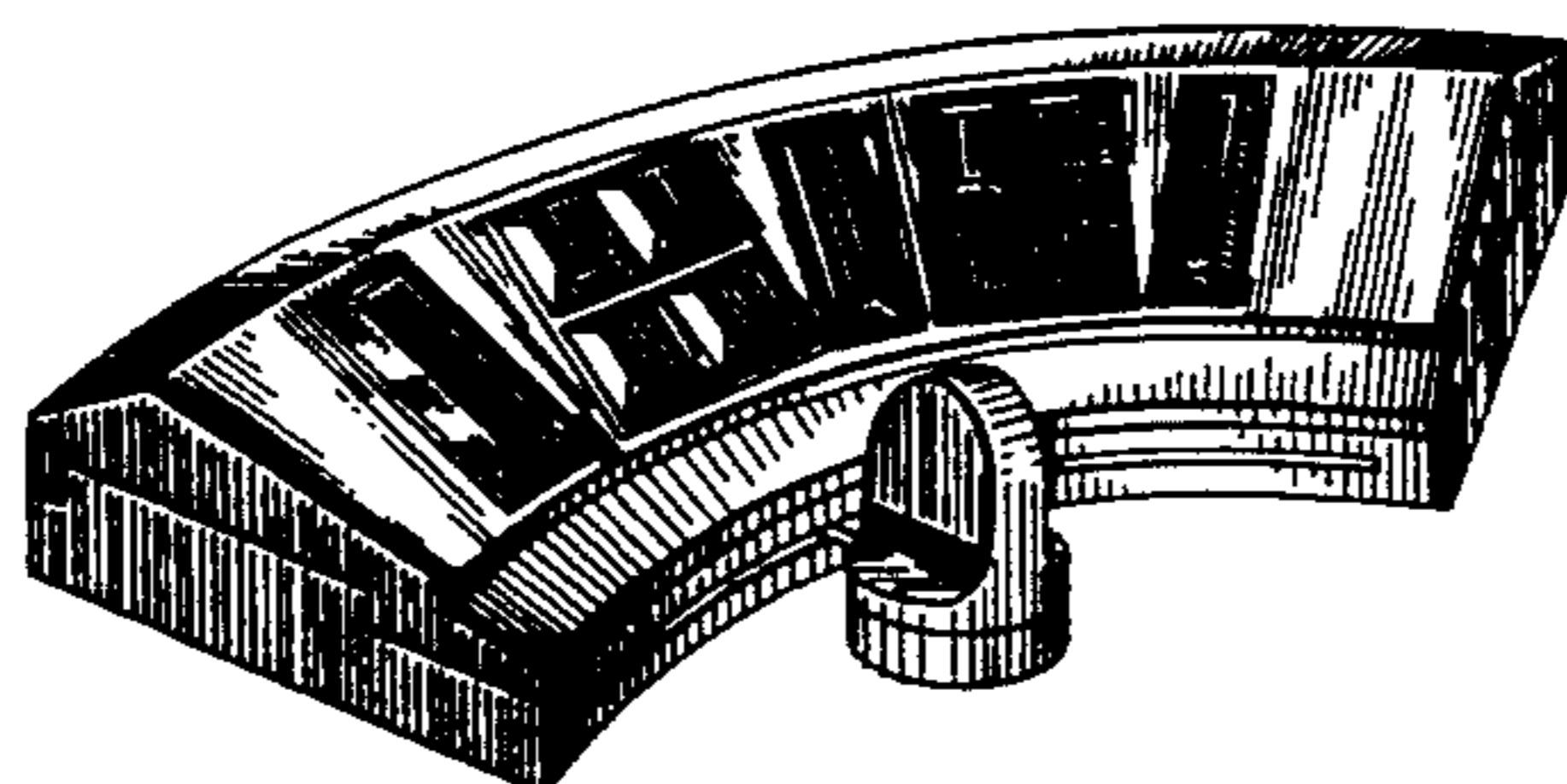
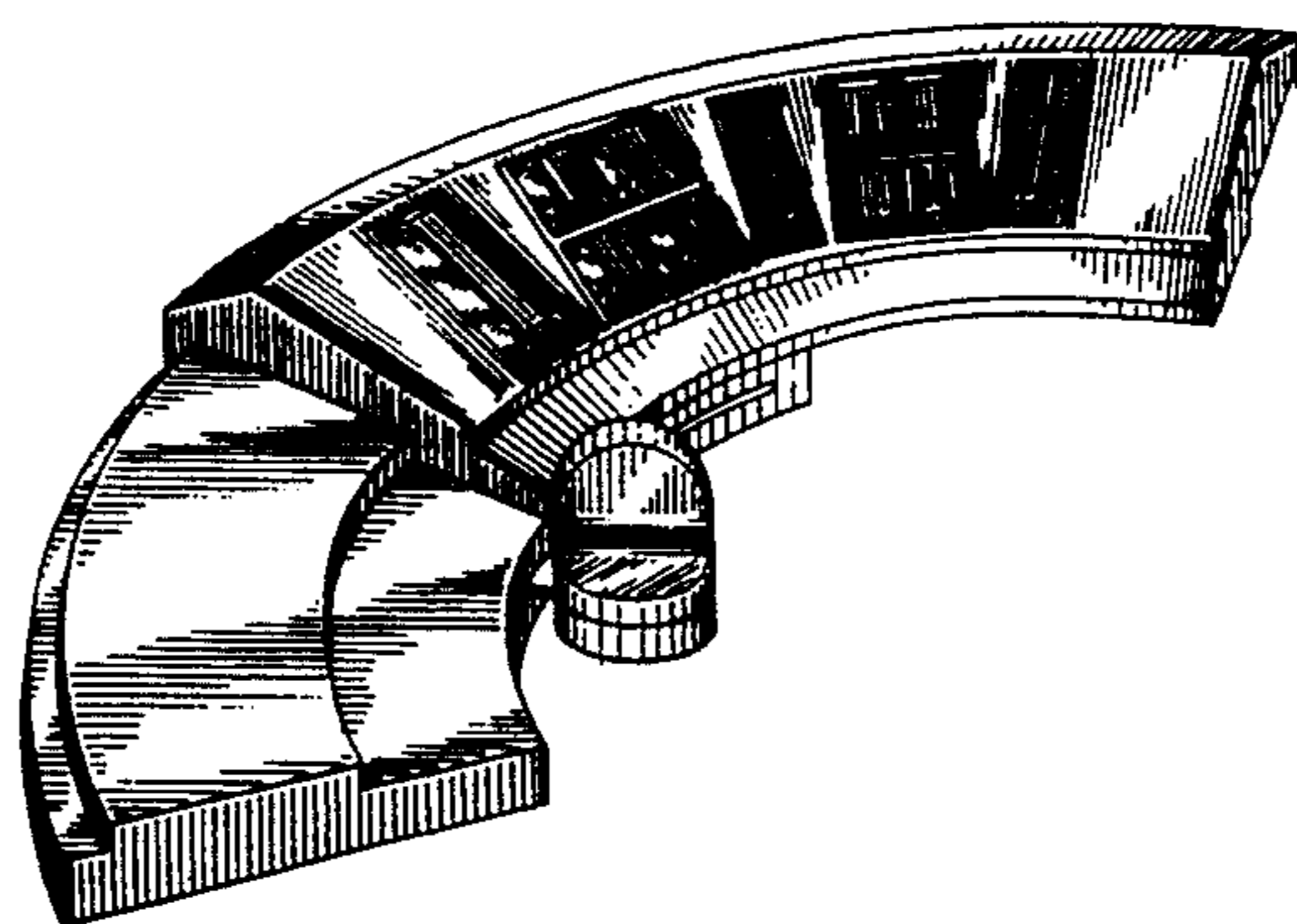
FIG. 13 is a top plan view thereof of FIG. 3;

FIG. 14 is a side elevation view thereof of FIG. 3;

FIG. 15 is a bottom plan view thereof of FIG. 3;

FIG. 16 is a top perspective view of the key pad shown separately for clarity of illustration only; and,

FIG. 17 is a perspective view of the slider shown separately for clarity of illustration only.



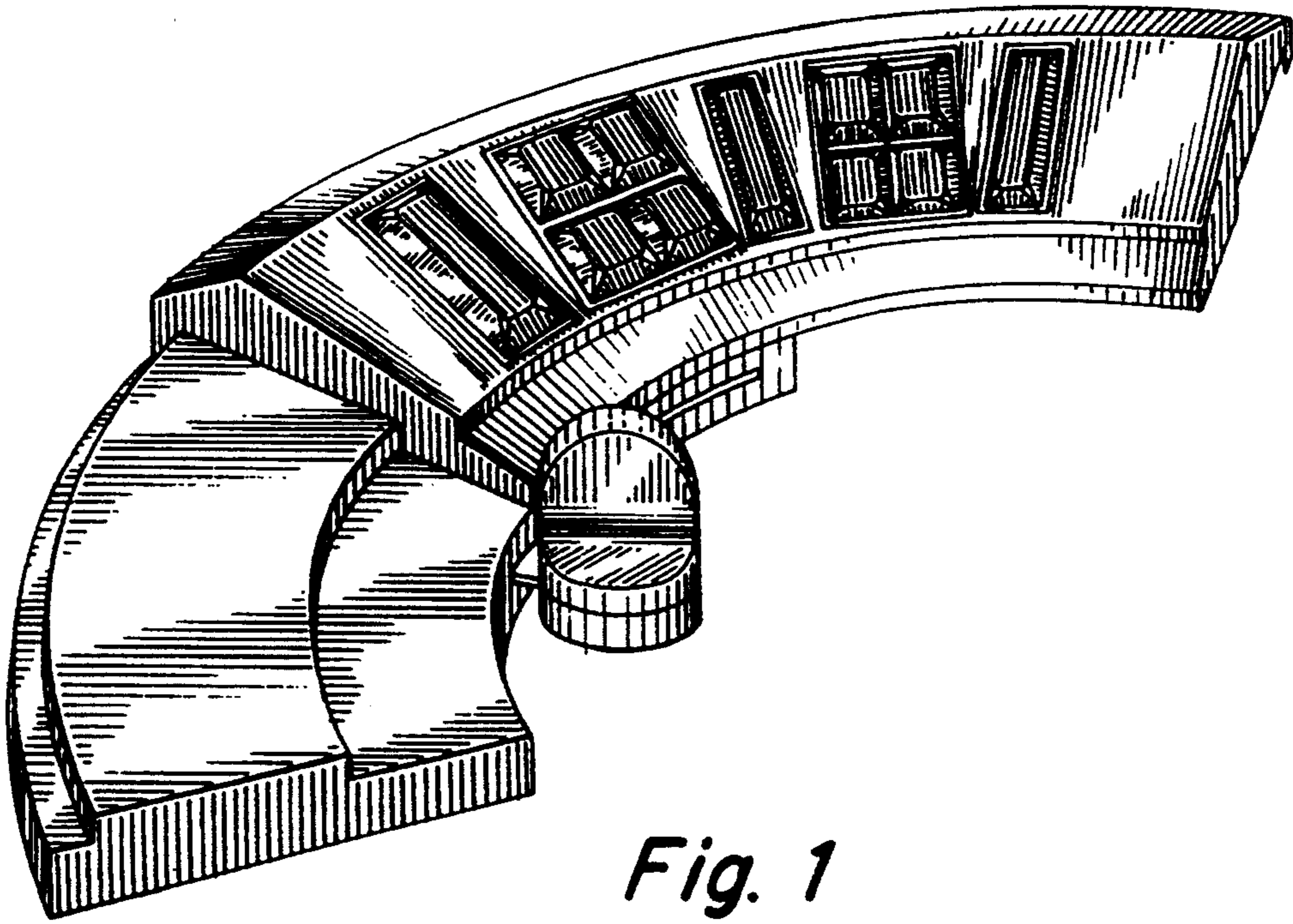


Fig. 1

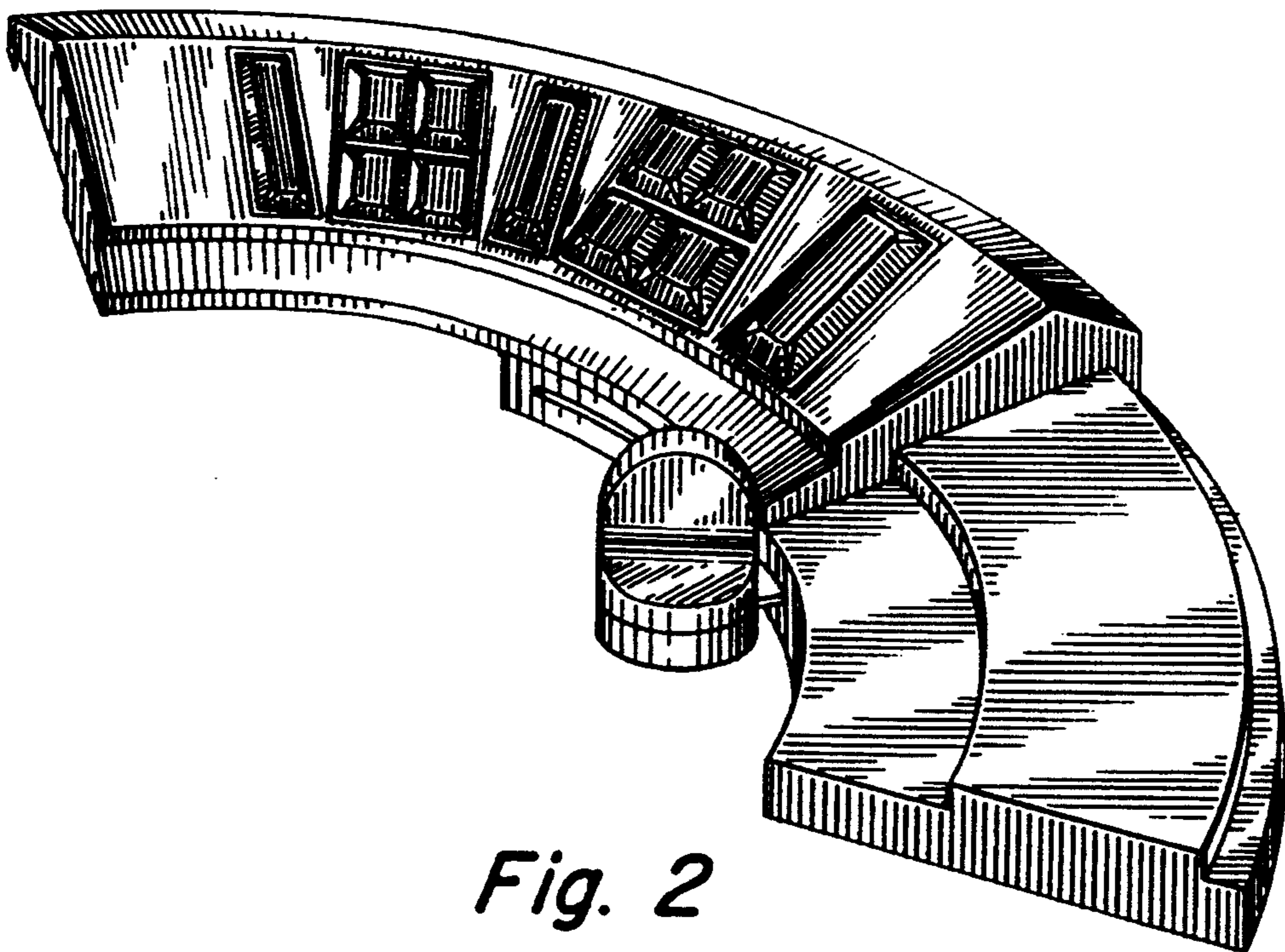


Fig. 2

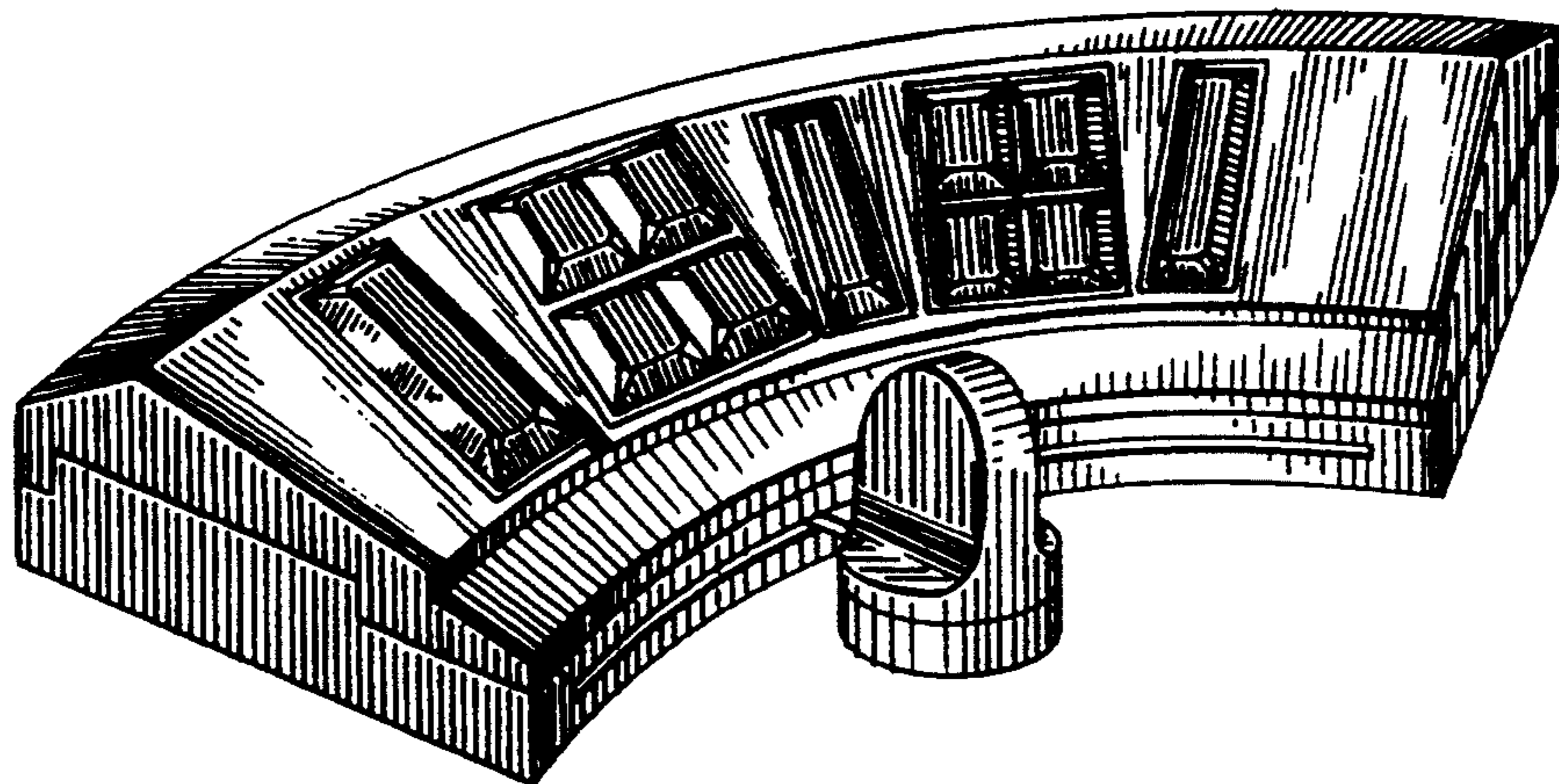


Fig. 3

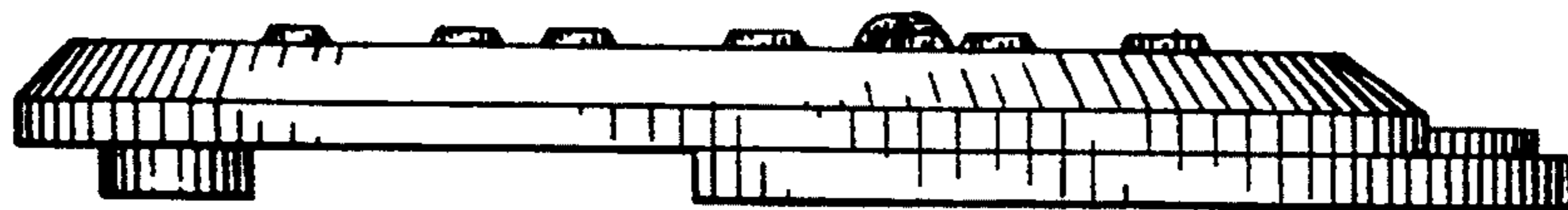


Fig. 4

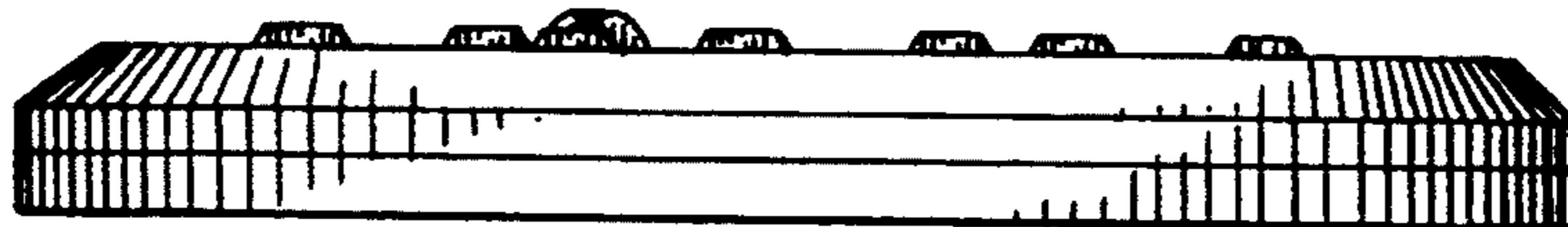


Fig. 5

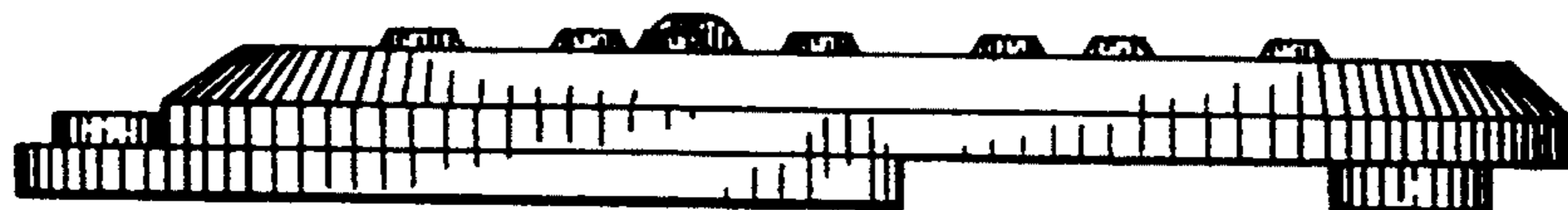


Fig. 6

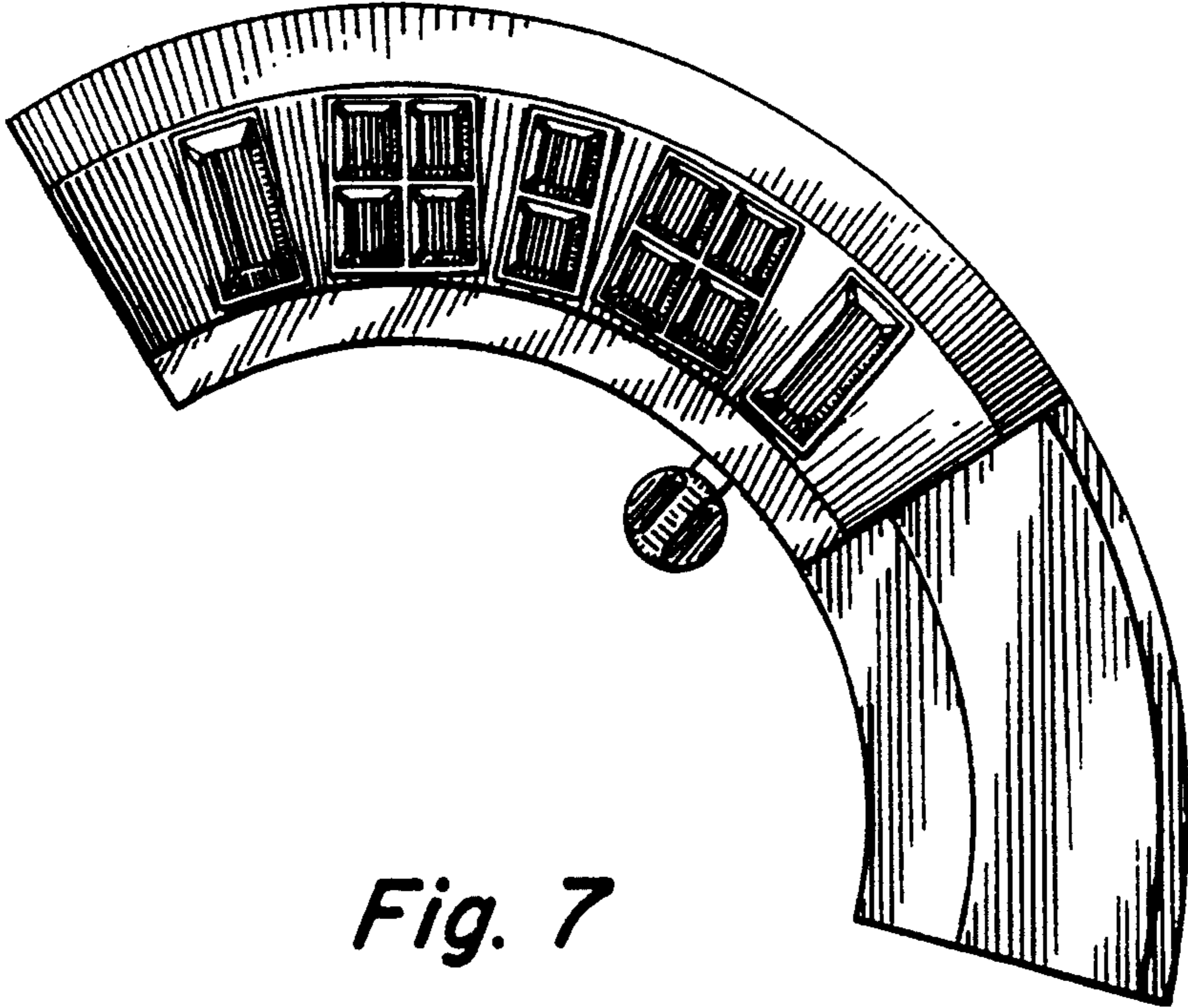


Fig. 7



Fig. 8

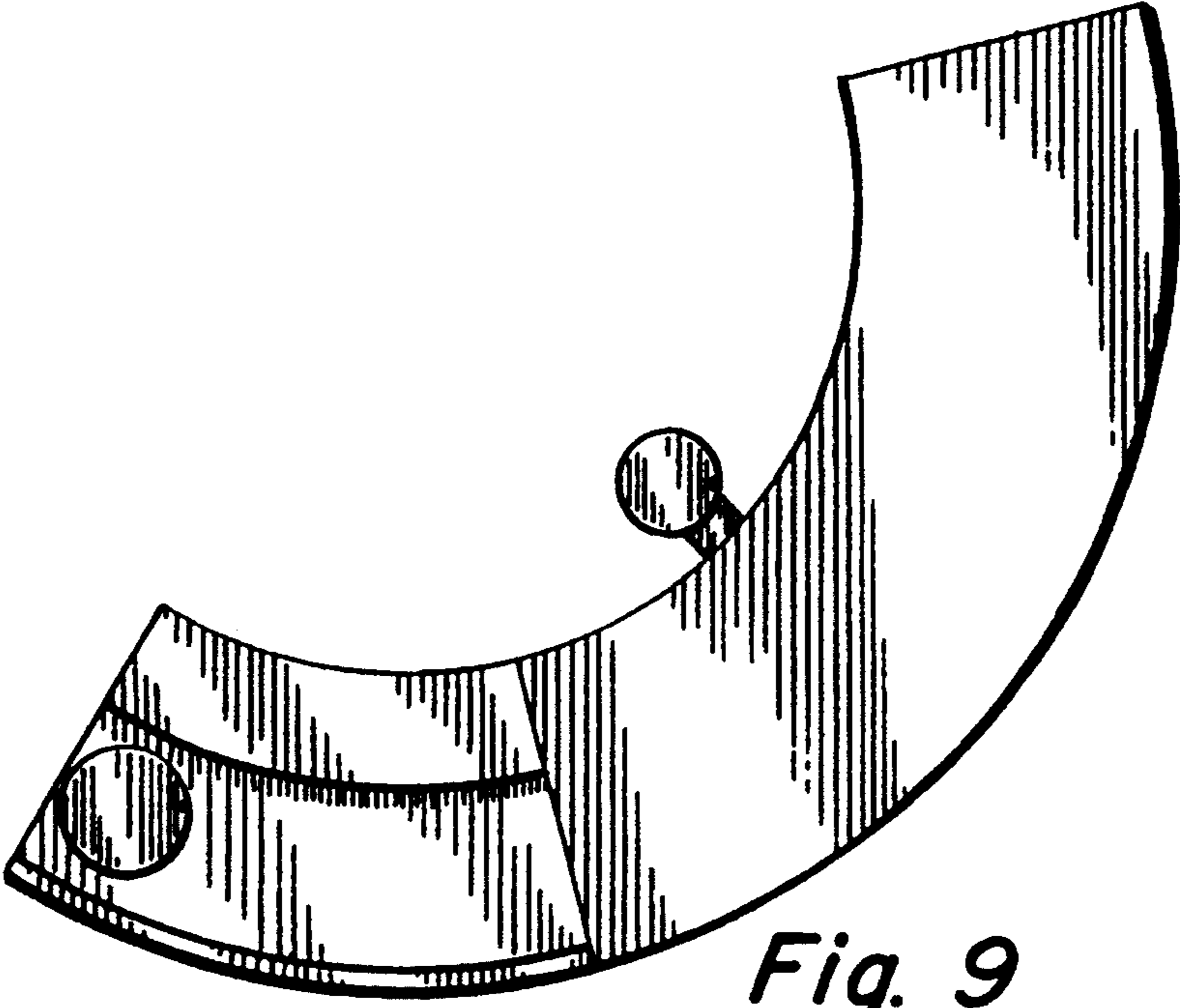


Fig. 9

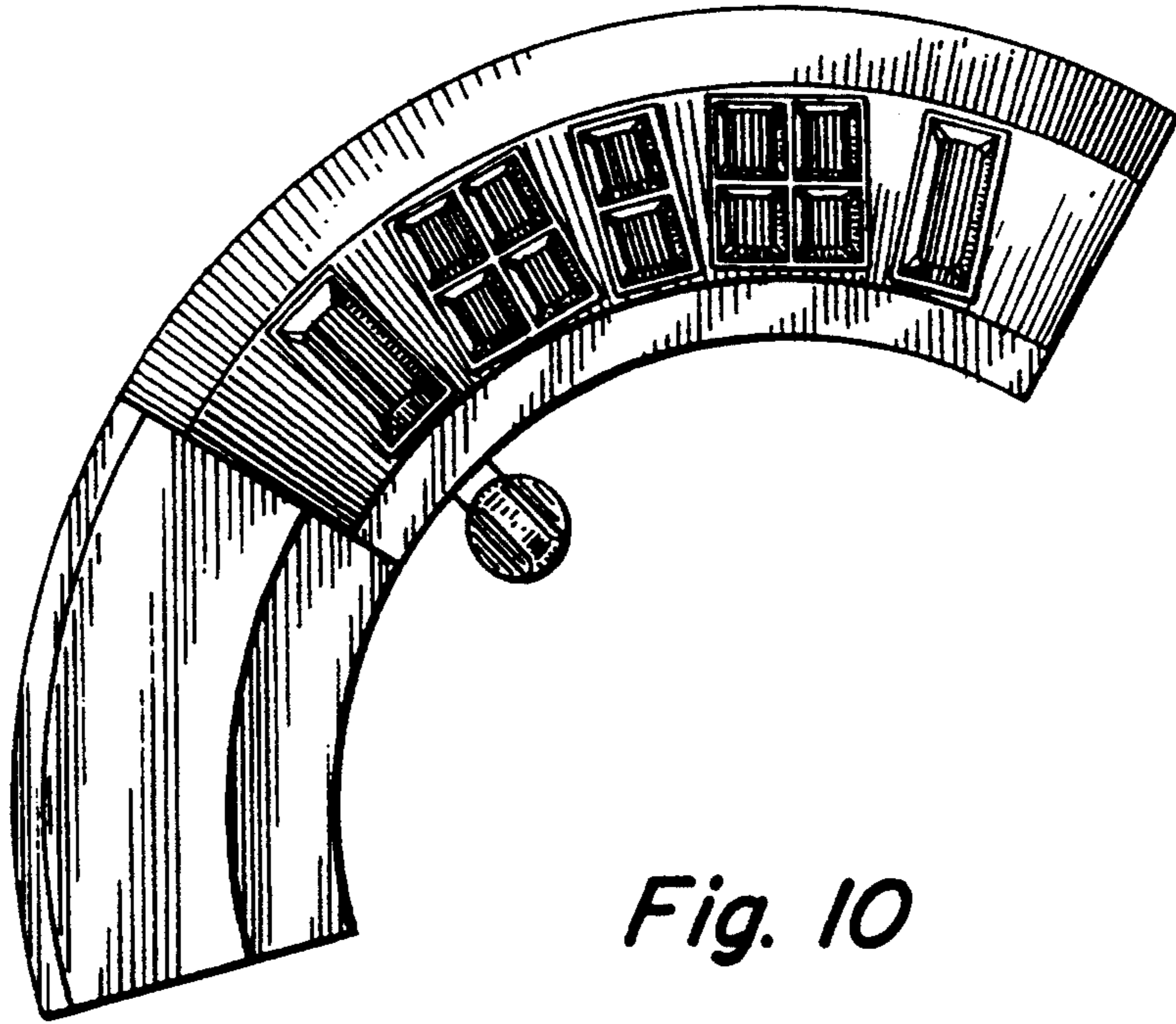


Fig. 10

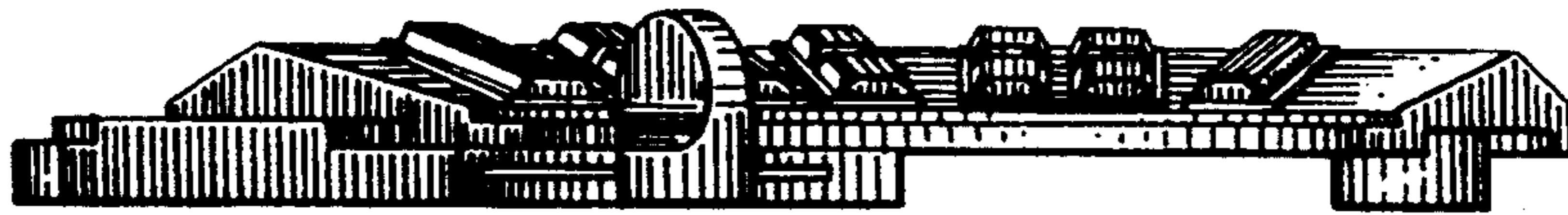


Fig. 11

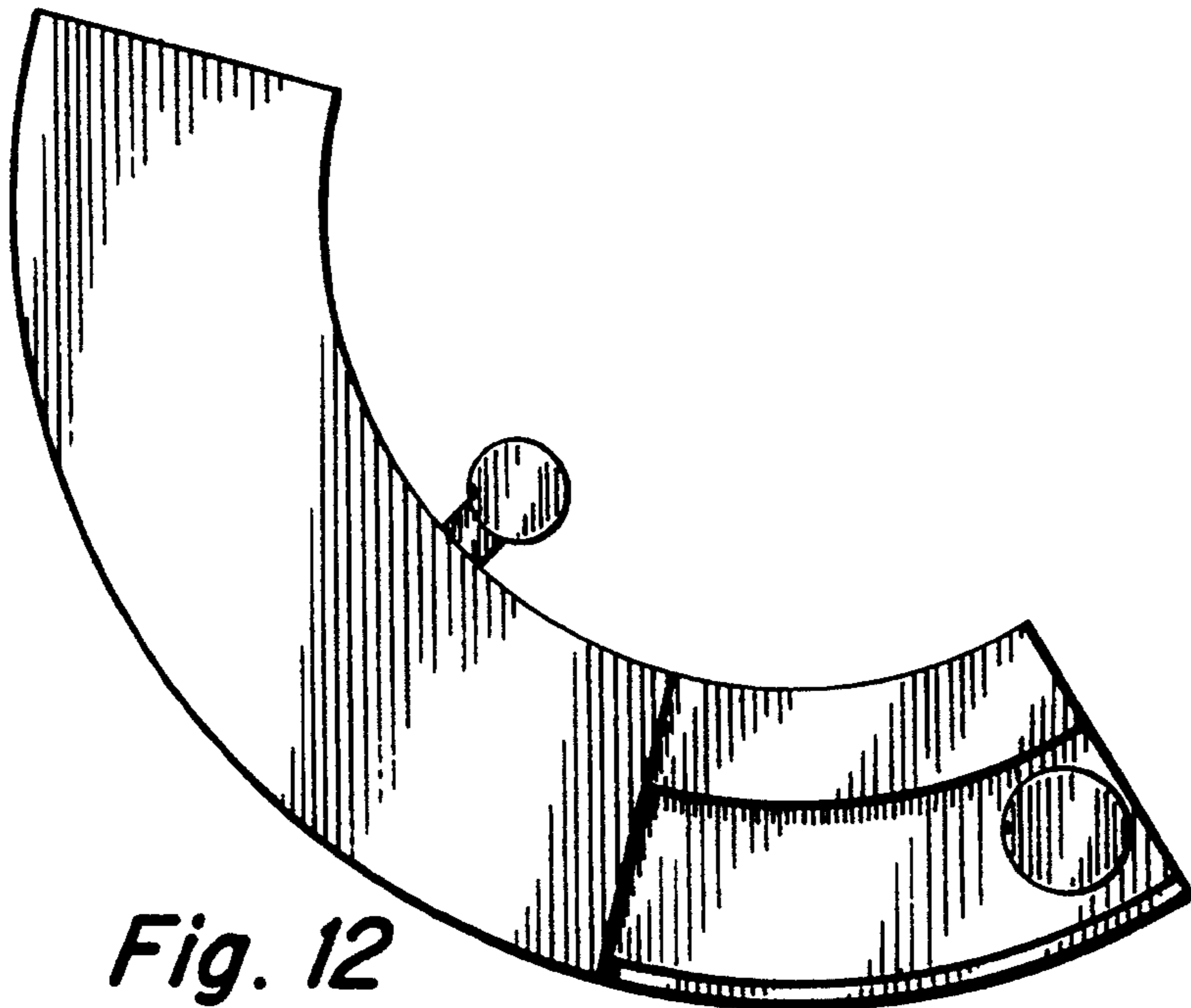


Fig. 12

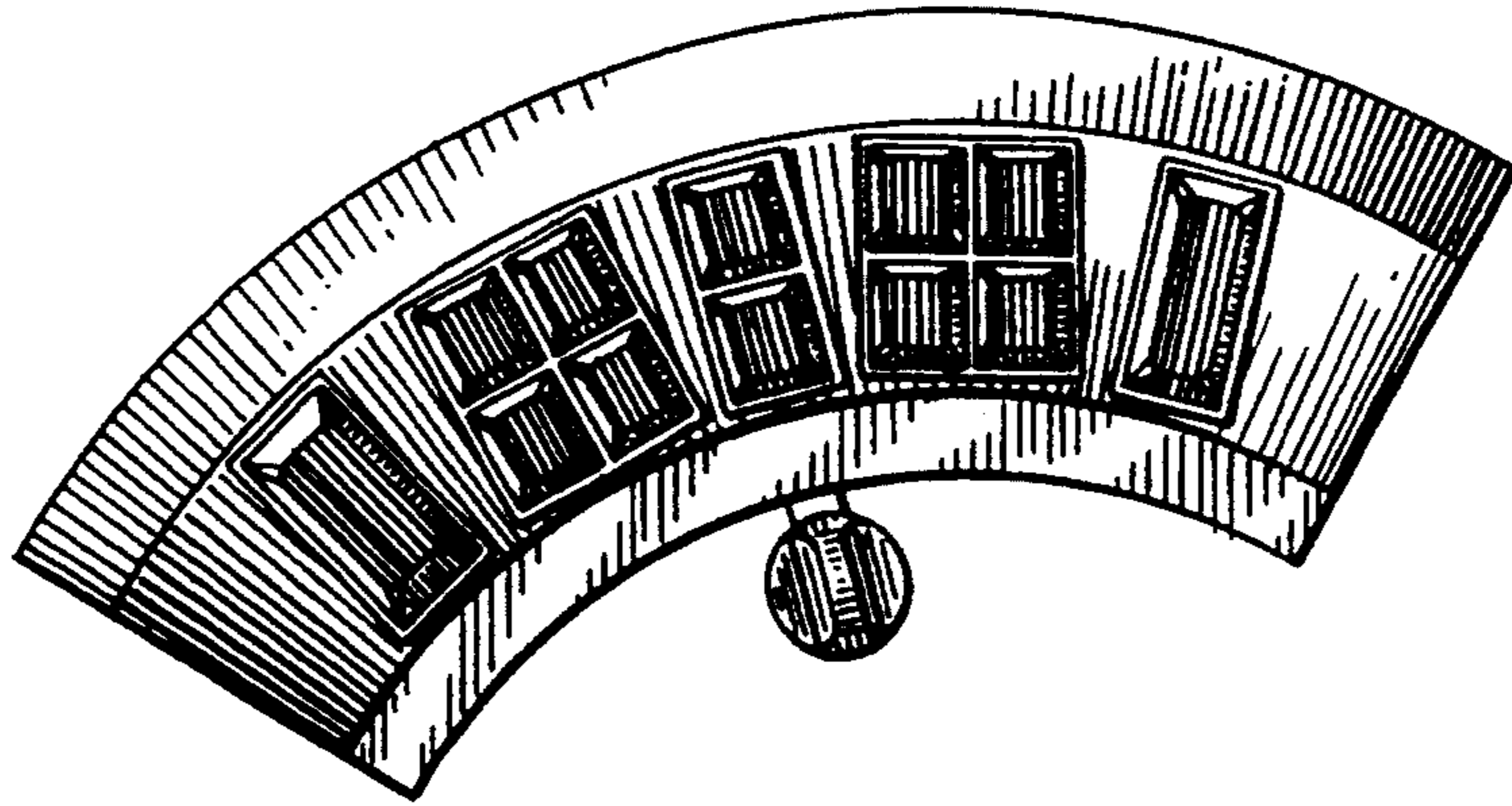


Fig. 13



Fig. 14

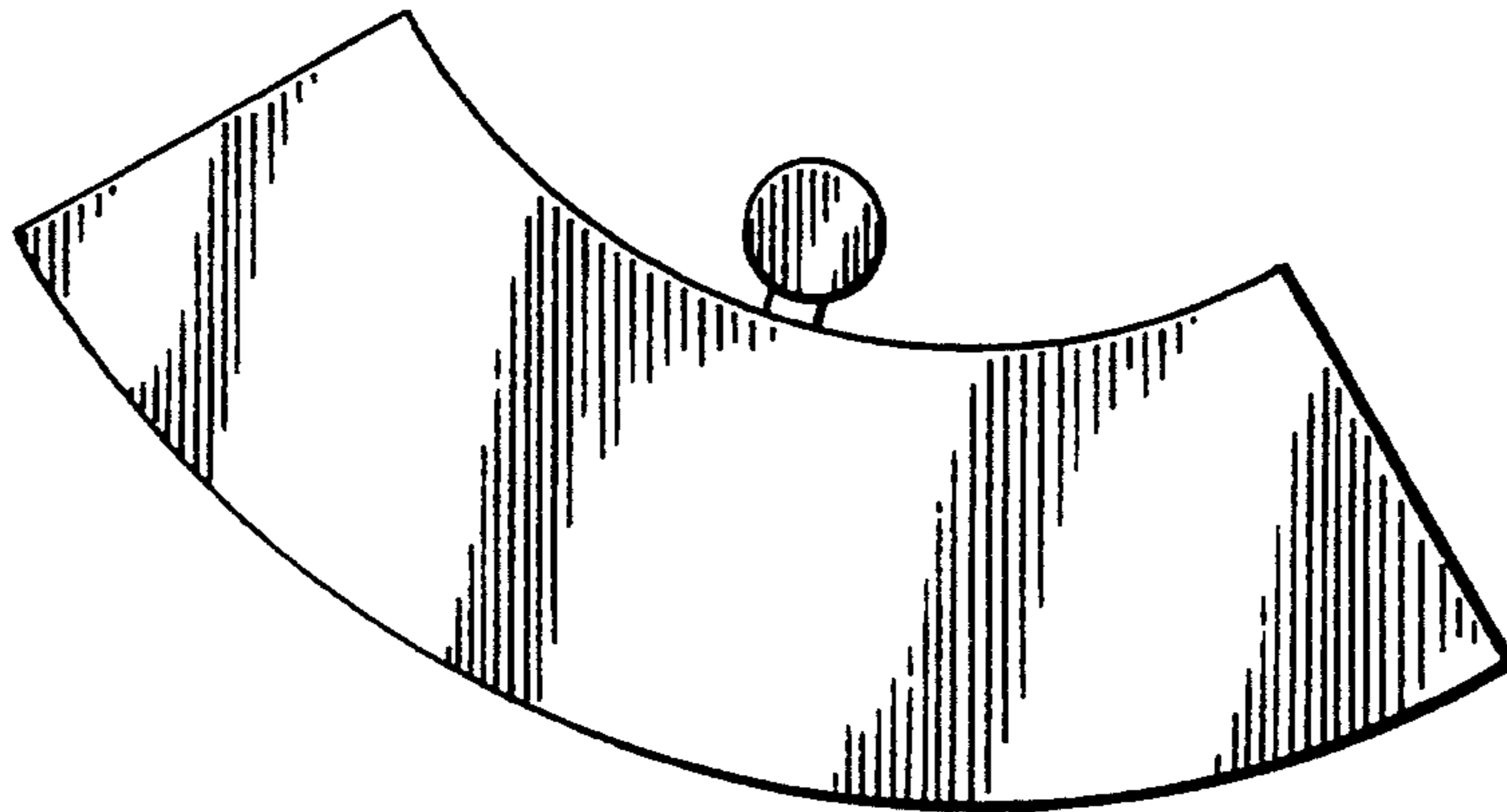


Fig. 15

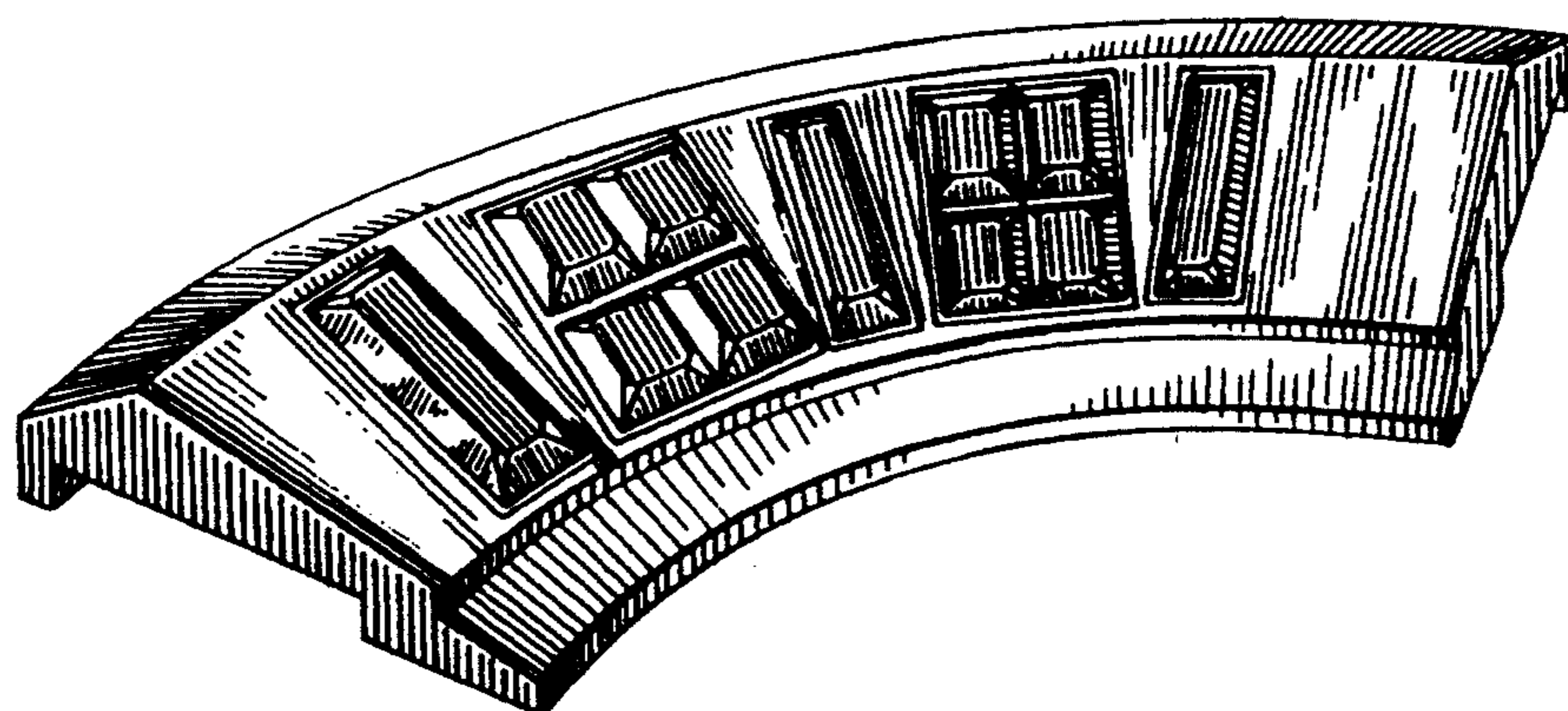


Fig. 16

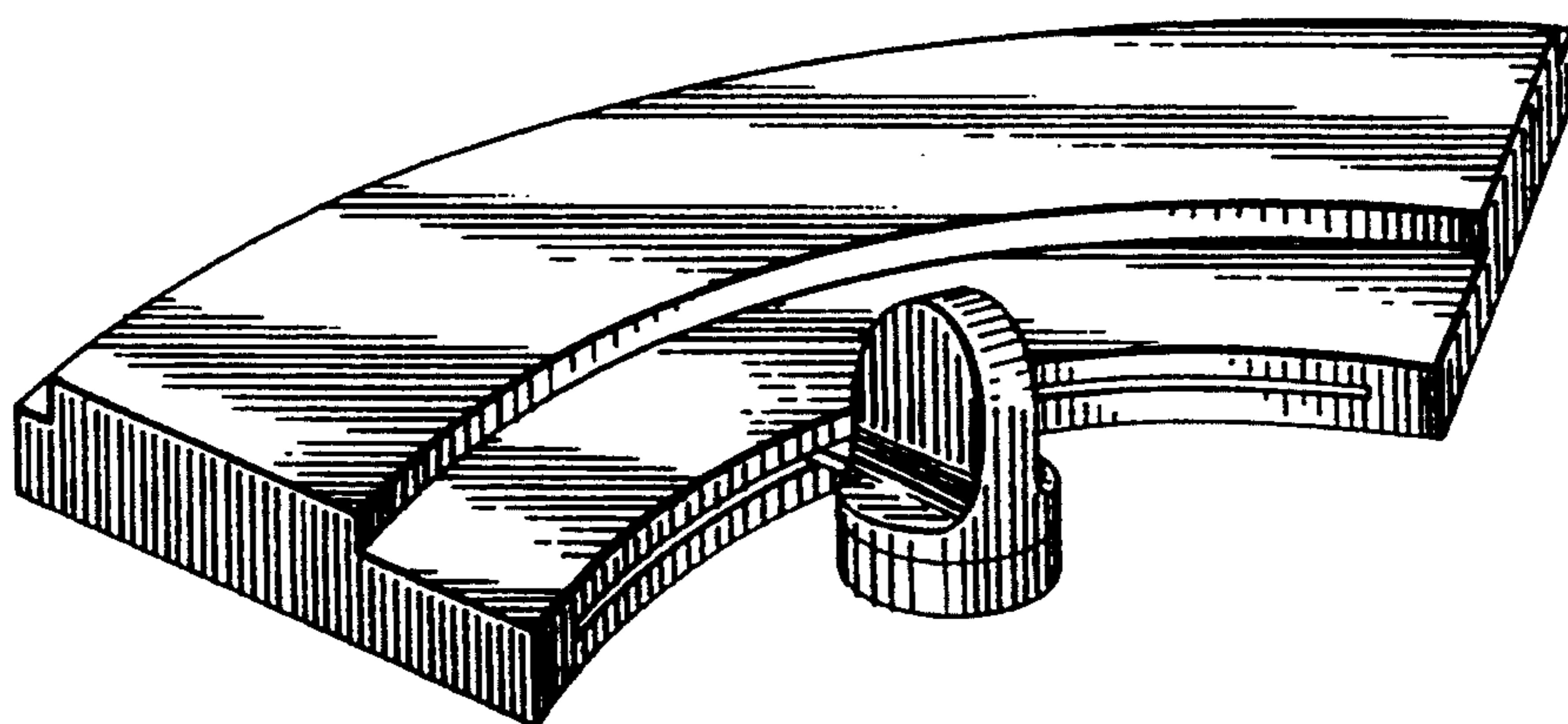


Fig. 17