



US00D352277S

# United States Patent [19]

[11] Patent Number: **Des. 352,277**

Olsen

[45] Date of Patent: **\*\* Nov. 8, 1994**

[54] **EXTENSION FOR A LIGHT SWITCH ACTUATOR**

3,581,037 5/1971 Schiffelbein ..... 200/331  
4,870,232 9/1989 Hoogland ..... 200/331

[76] Inventor: **Pete L. Olsen, P.O. Box 187, Santa Cruz, N. Mex. 87567**

*Primary Examiner*—Wallace R. Burke  
*Assistant Examiner*—Joel Sincavage  
*Attorney, Agent, or Firm*—Terry M. Gernstein

[\*\*] Term: **14 Years**

[57] **CLAIM**

[21] Appl. No.: **8,217**

The ornamental design for a extension for a light switch actuator, as shown and described.

[22] Filed: **May 12, 1993**

[52] U.S. Cl. .... **D13/173**

[58] Field of Search ..... **D8/14; 200/331; D13/173, 174**

**DESCRIPTION**

[56] **References Cited**

**U.S. PATENT DOCUMENTS**

- D. 252,552 8/1979 Stoff ..... D8/14
- D. 314,496 2/1991 Anderson ..... D8/14
- D. 317,855 7/1991 Miller ..... D8/14
- D. 325,901 5/1992 Vencel, Sr. .... D13/173
- D. 326,445 5/1992 Enyeart ..... D13/173
- D. 334,563 4/1993 Burbage ..... D13/173

FIG. 1 is a front, top and side perspective view of the extension for a light switch actuator showing my new design, the shaft being cutaway for the sake of convenience of illustration;

FIG. 2 is a front elevational view thereof;

FIG. 3 is a rear elevational view thereof;

FIG. 4 is a side elevational view thereof, the side opposite being a mirror image of the side shown in FIG. 4;

FIG. 5 is a top plan view thereof; and,

FIG. 6 is a bottom plan view thereof.

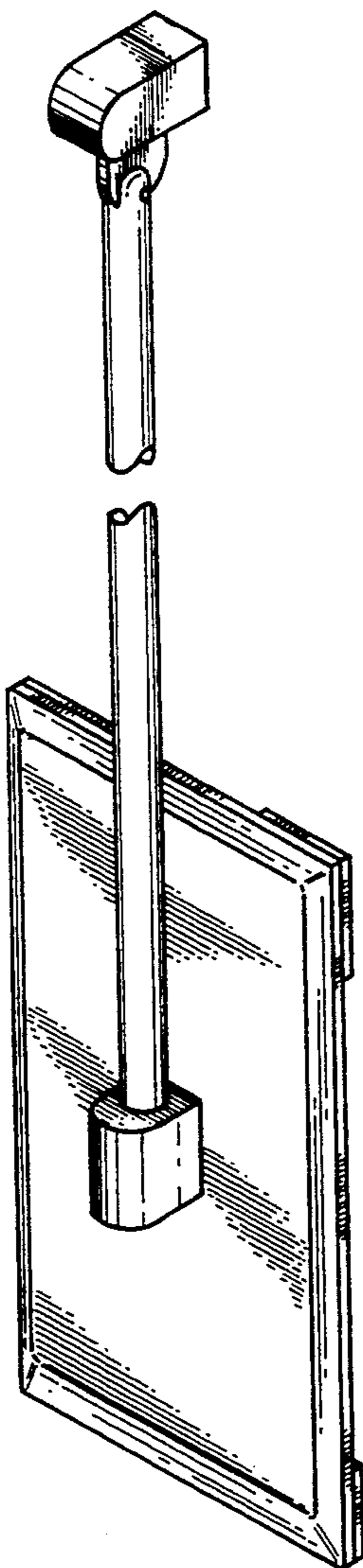
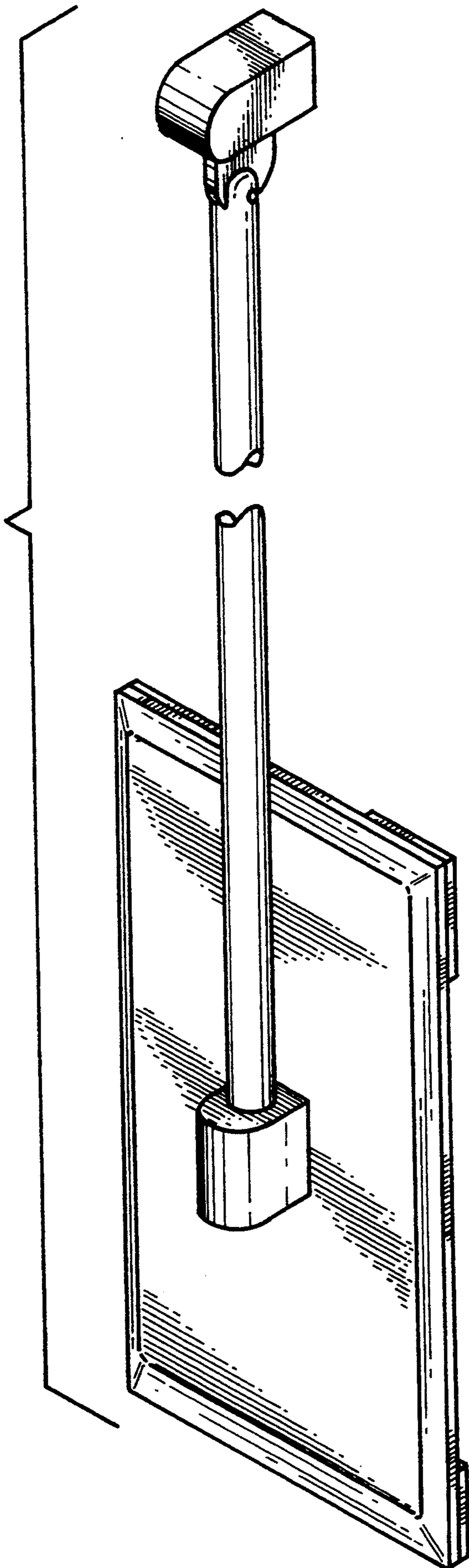
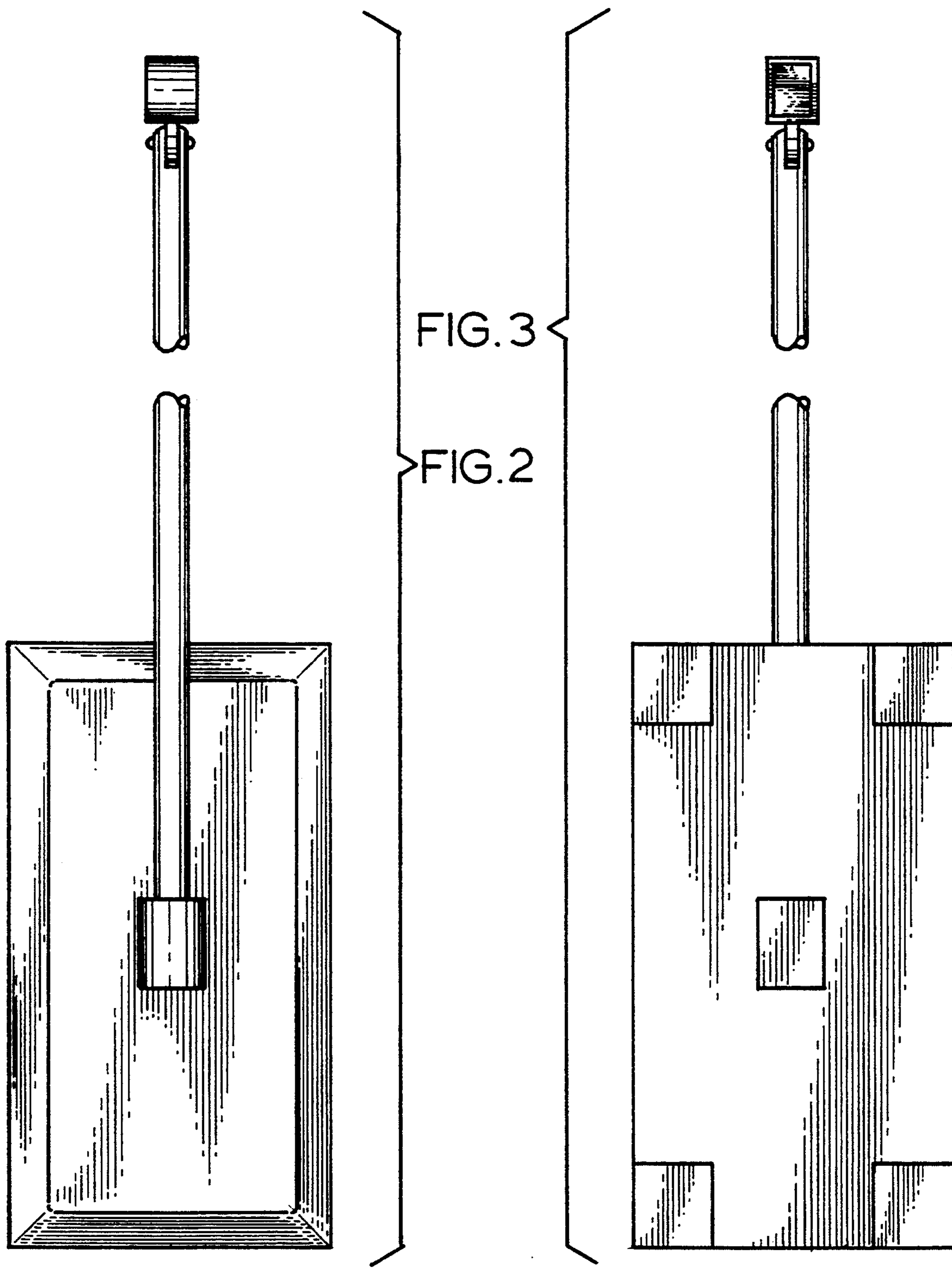


FIG. 1





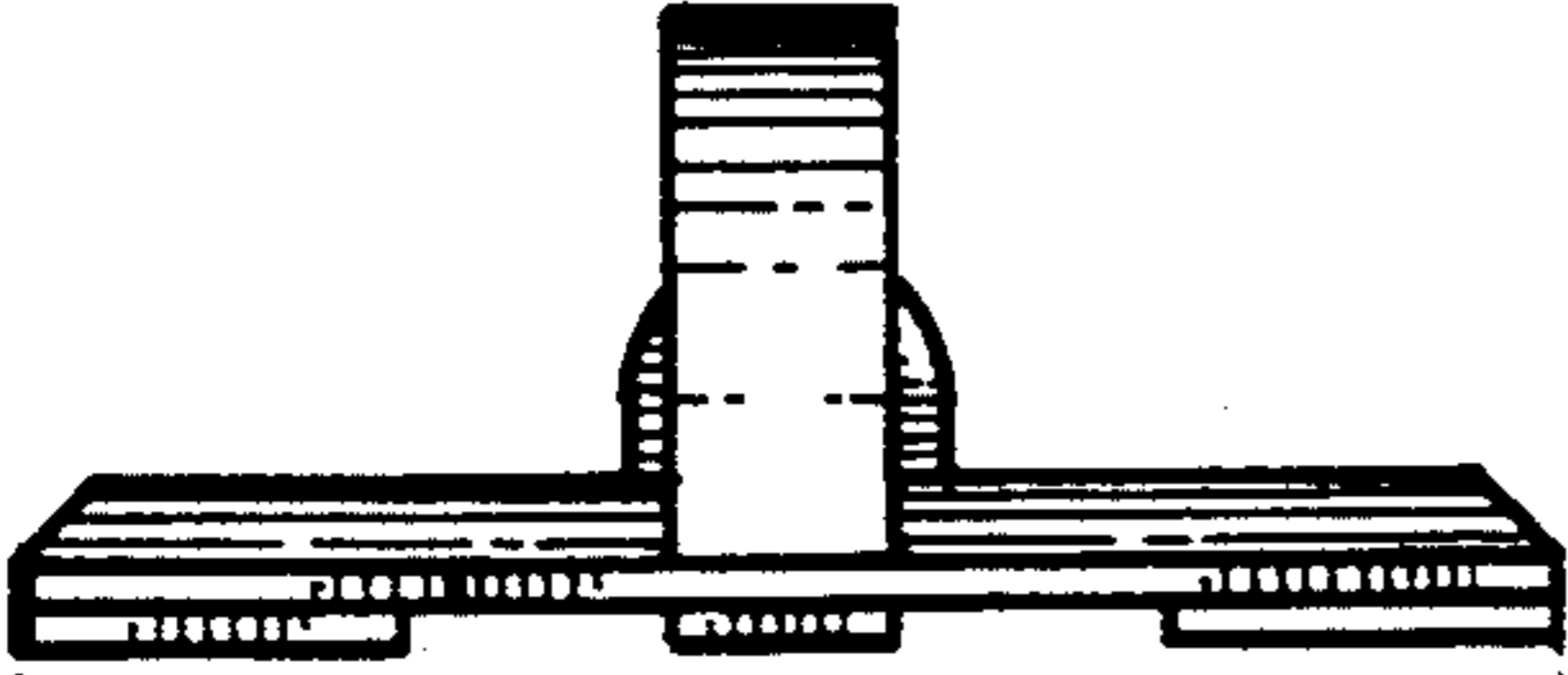


FIG. 5

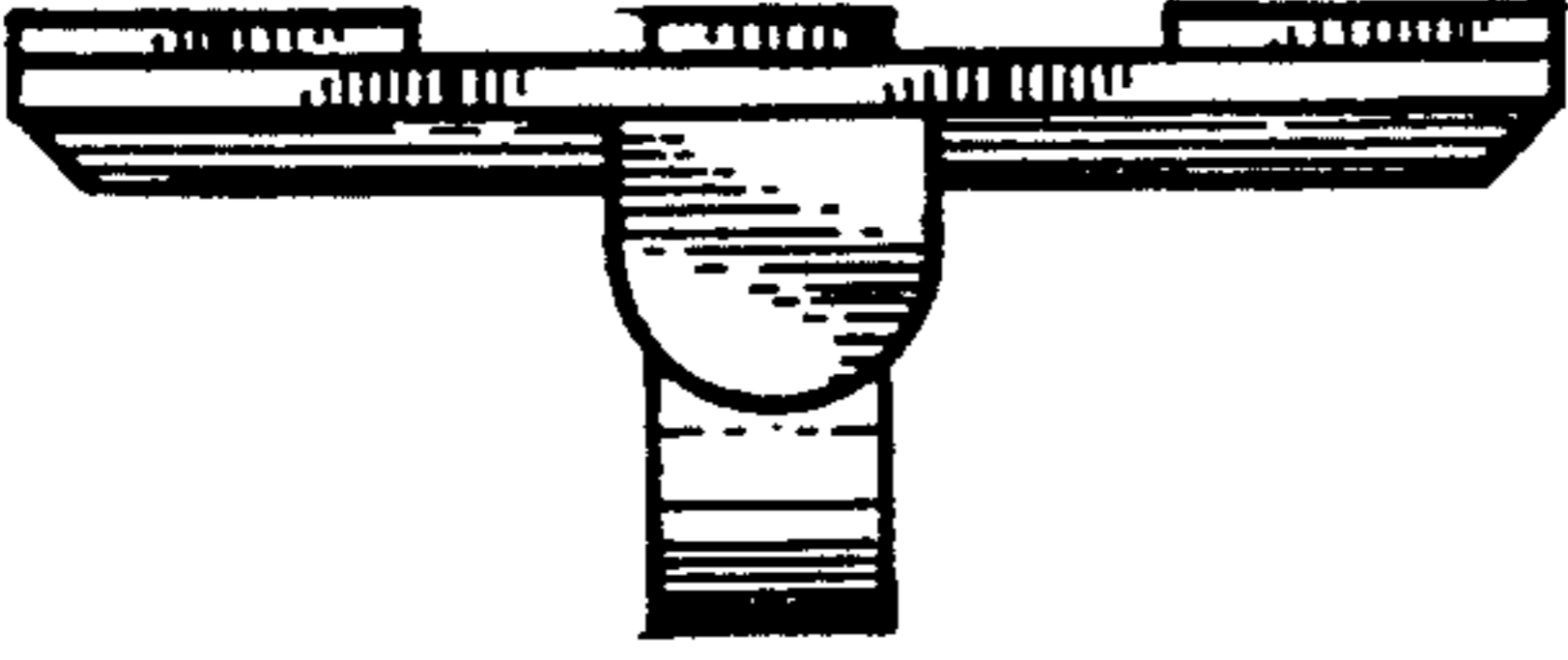


FIG. 6

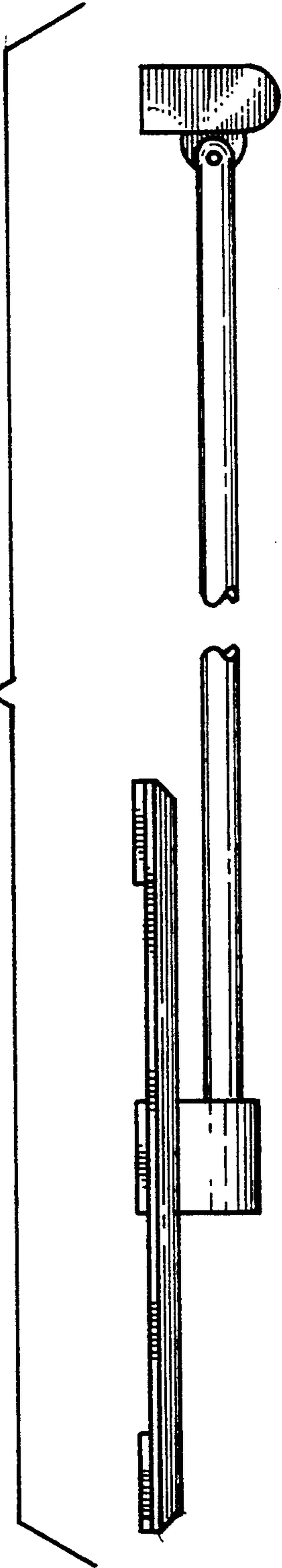


FIG. 4