



US00D352272S

United States Patent [19]

Thuerk

[11] Patent Number: **Des. 352,272**

[45] Date of Patent: **** Nov. 8, 1994**

[54] PAIR OF BATTERY CONNECTOR POSTS

[75] Inventor: **David A. Thuerk**, Brookfield, Wis.

[73] Assignee: **Globe-Union Inc.**, Milwaukee, Wis.

[**] Term: **14 Years**

[21] Appl. No.: **936,535**

[22] Filed: **Aug. 27, 1992**

[52] U.S. Cl. **D13/120**

[58] Field of Search 439/510, 502, 754, 746,
439/765, 883; 429/121; D13/118, 119, 120

[56] References Cited

U.S. PATENT DOCUMENTS

1,687,954	1/1929	Gribbie	439/883
3,657,503	4/1972	Smith	439/510
3,953,818	4/1976	Martin et al.	439/502 X
4,064,328	12/1977	Allen	429/121
4,747,793	5/1988	Fukuda et al.	439/754 X
5,183,419	2/1993	Dewar	439/765

Primary Examiner—Wallace R. Burke
Assistant Examiner—Joel Sincavage
Attorney, Agent, or Firm—Edward L. Levine; Leonard J. Kalinowski; Joseph E. Root, III

[57] CLAIM

The ornamental design for a pair of battery connector posts, as shown and described.

DESCRIPTION

FIG. 1 is a perspective view of the negative member of the pair of battery connector posts showing my new design;

FIG. 2 is an elevation view taken at 2—2 of FIG. 4;

FIG. 3 is a top plan view of the battery connector post of FIG. 1;

FIG. 4 is a front elevation view thereof;

FIG. 5 is a bottom cutaway view taken at 5—5 of FIG. 4;

FIG. 6 is a perspective view of the positive member of the pair of battery connector posts showing my new design;

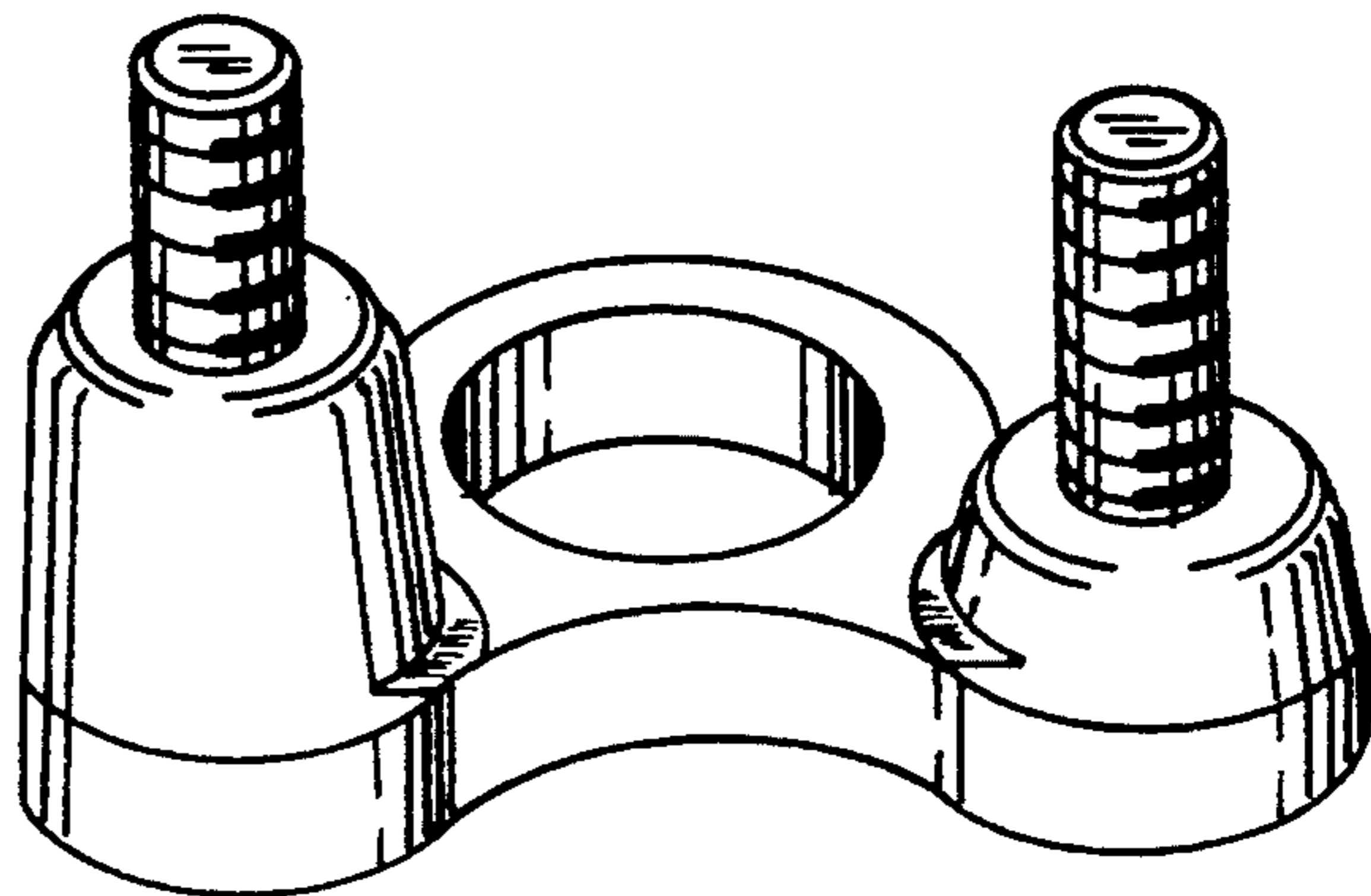
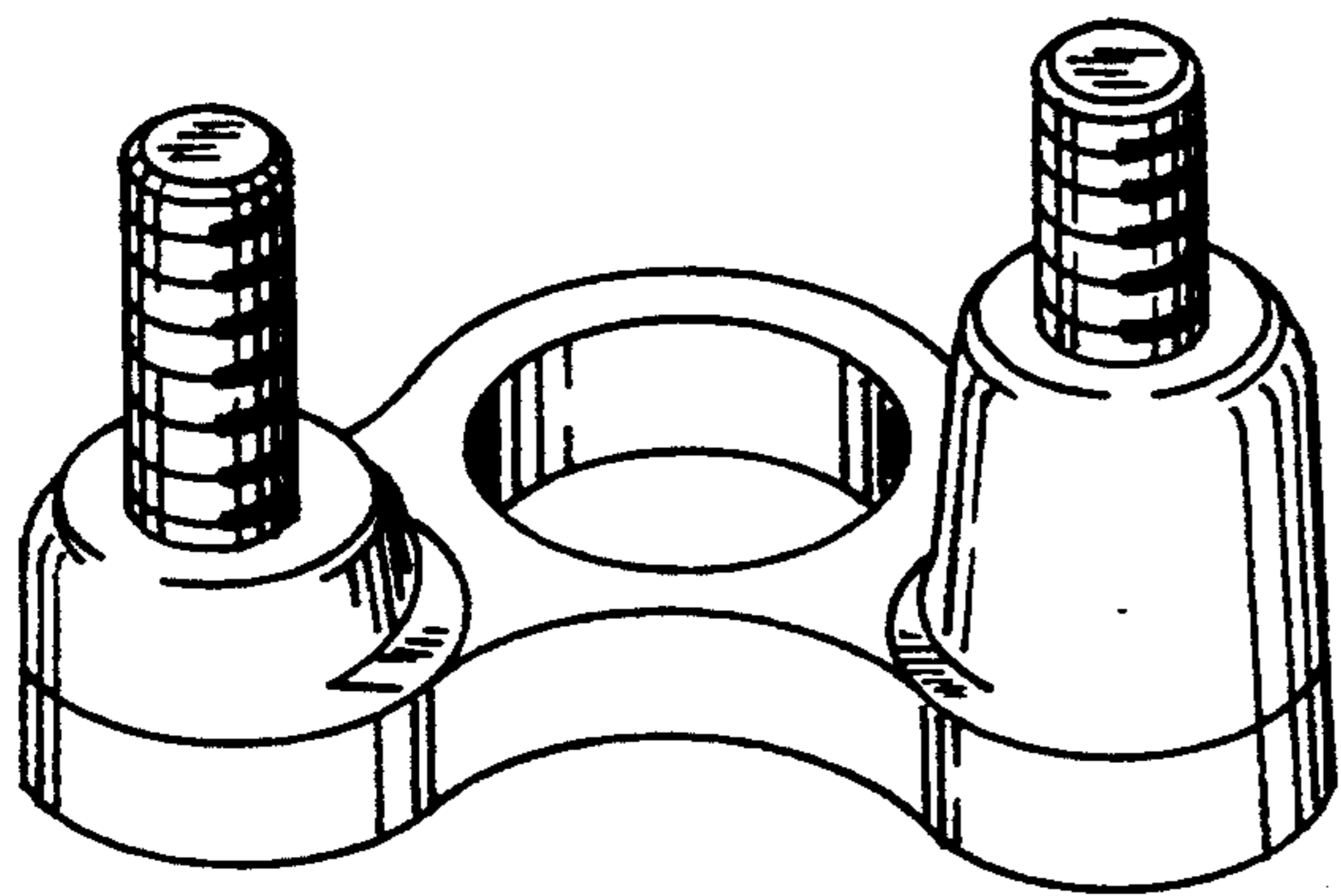
FIG. 7 is an elevation view taken at 7—7 of FIG. 9;

FIG. 8 is a top plan view of the battery connector post of FIG. 6;

FIG. 9 is a front elevation view of the battery connector post of FIG. 6;

FIG. 10 is a bottom cutaway view taken at 10—10 of FIG. 9; and,

FIG. 11 is a perspective view of a pair of battery connector posts showing my new design.



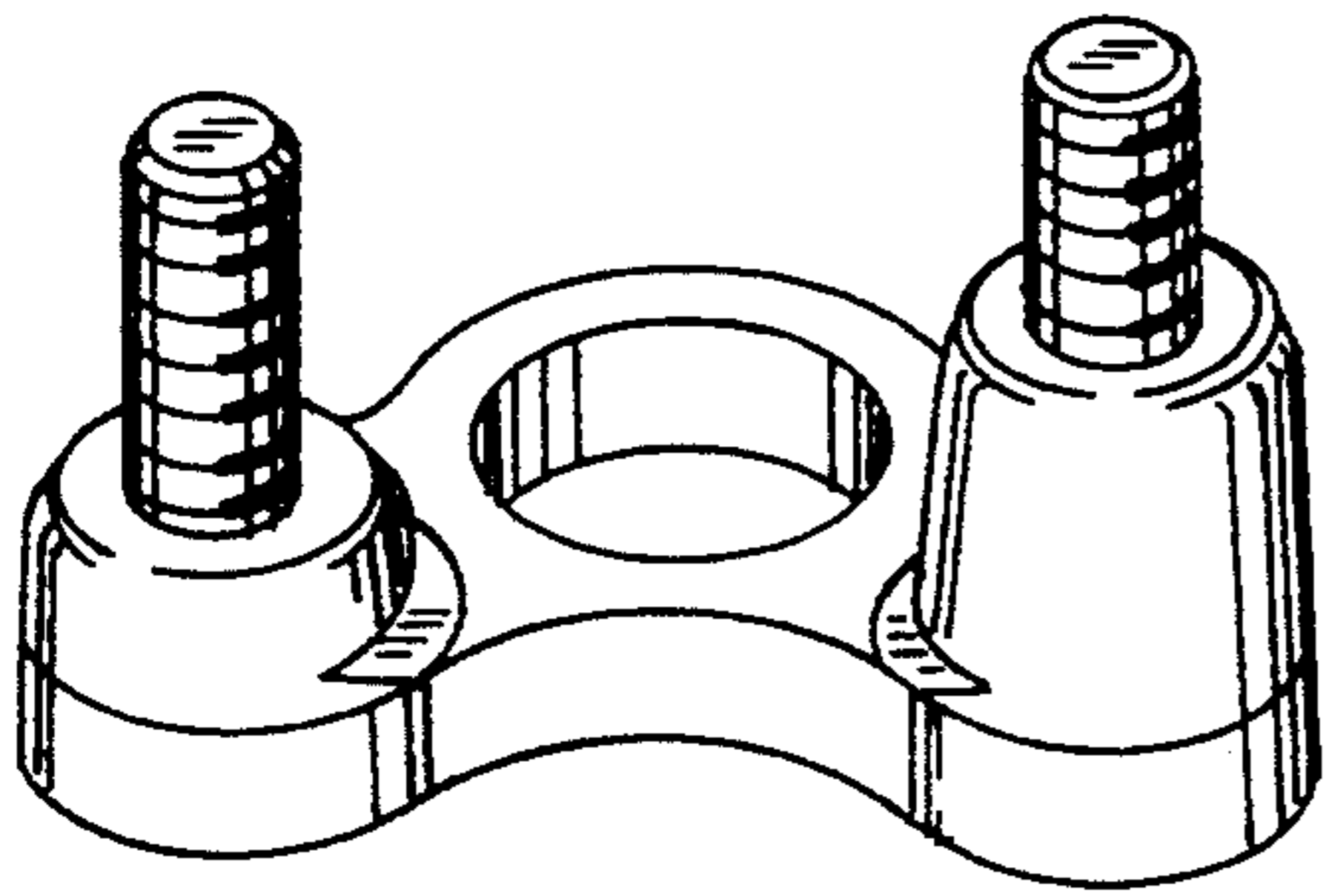


FIG. 1

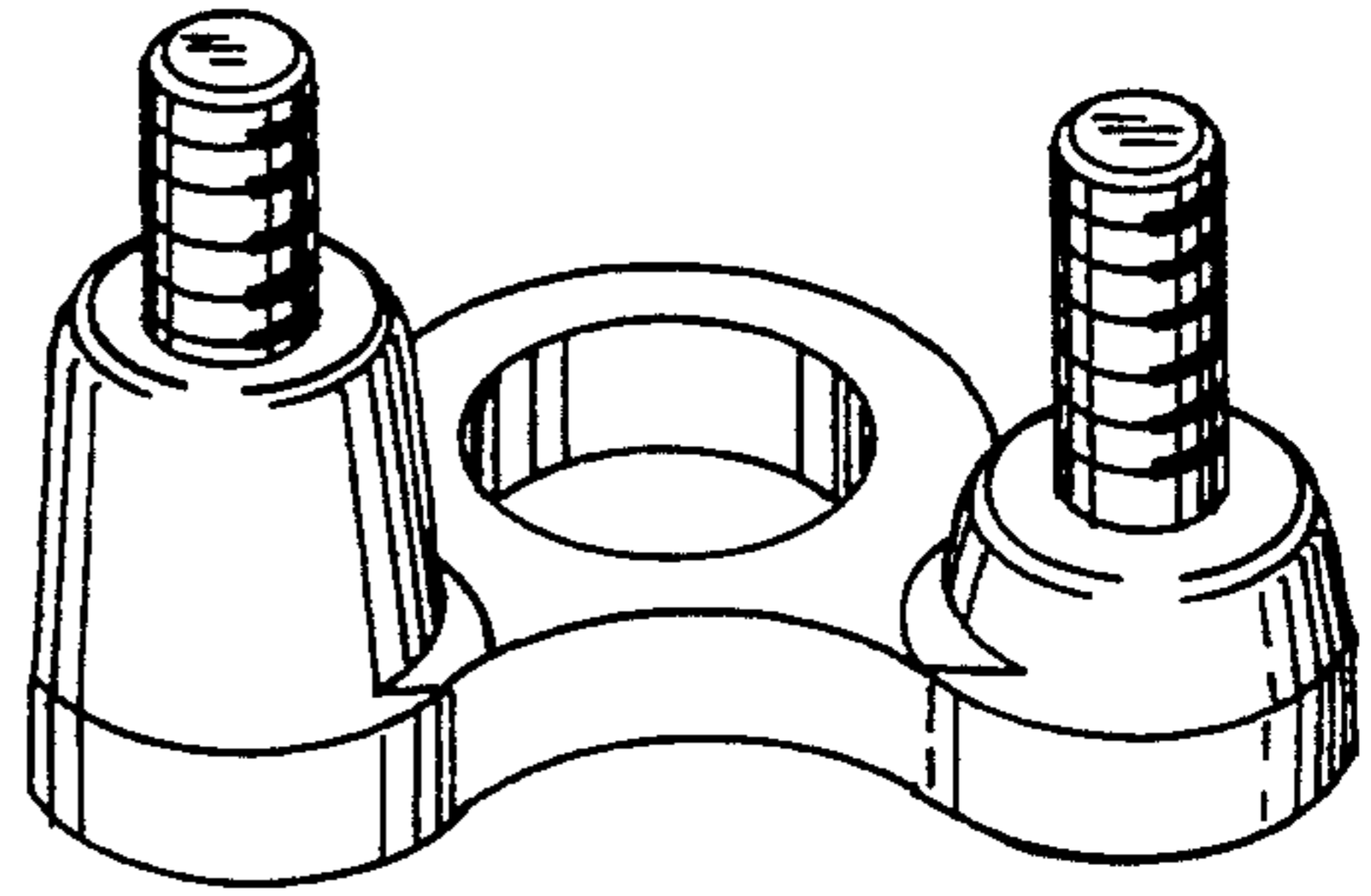


FIG. 6

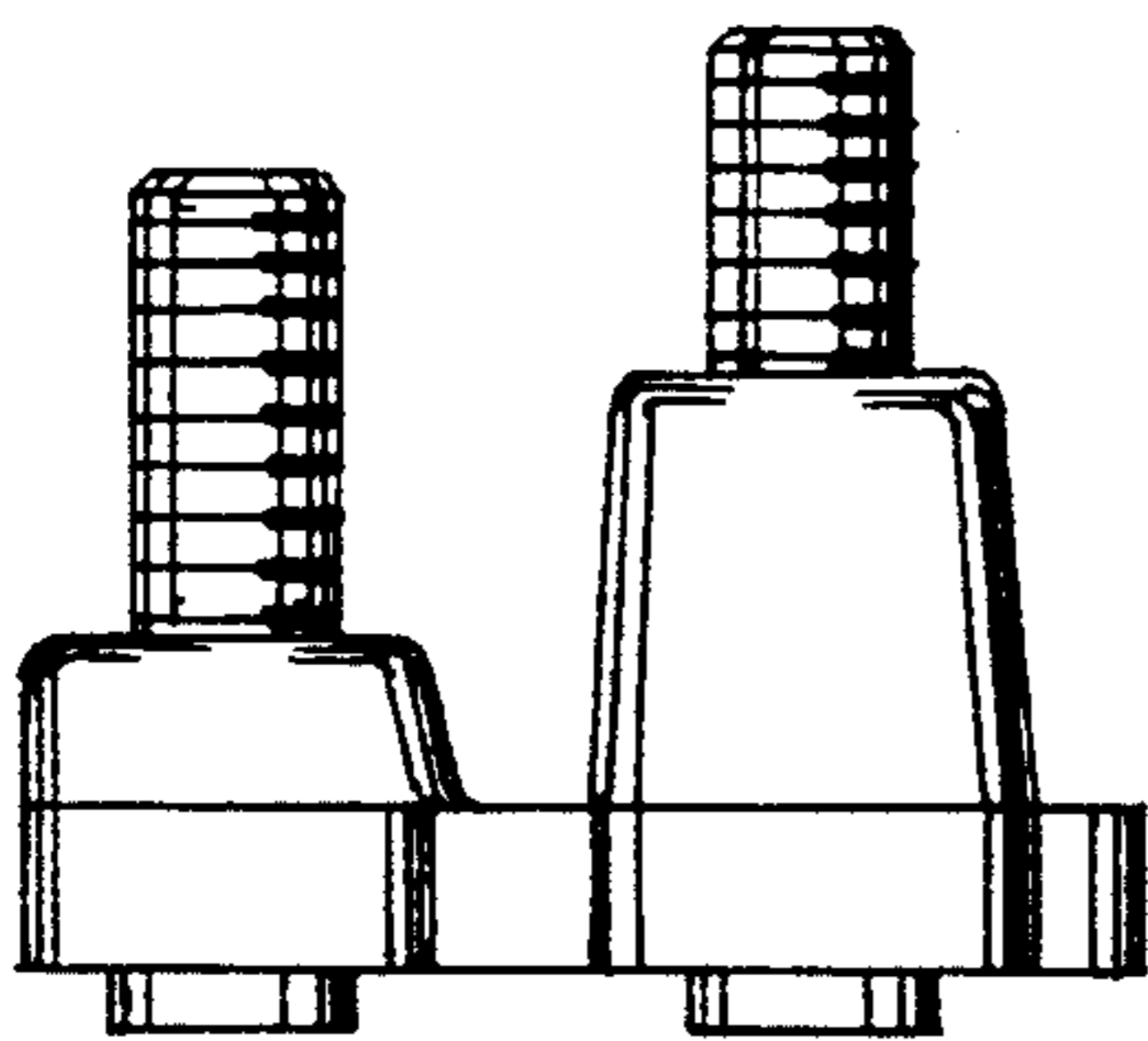


FIG. 2

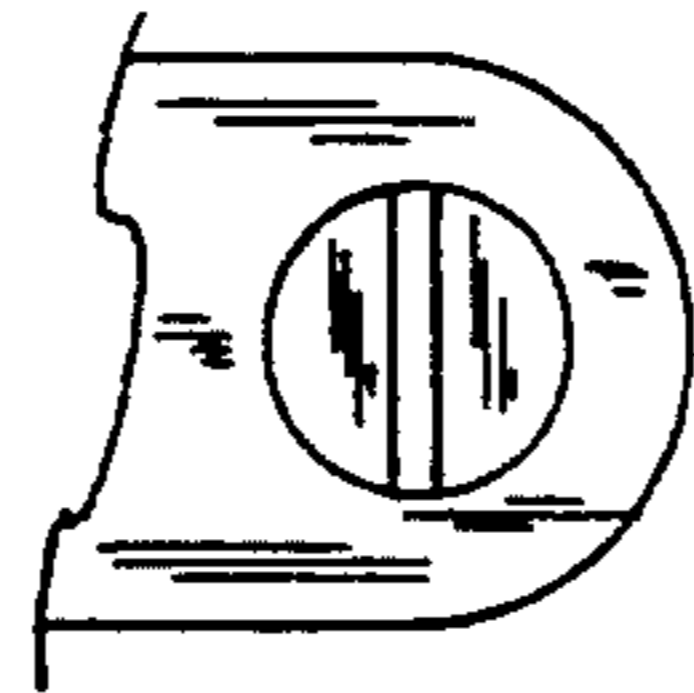


FIG. 5

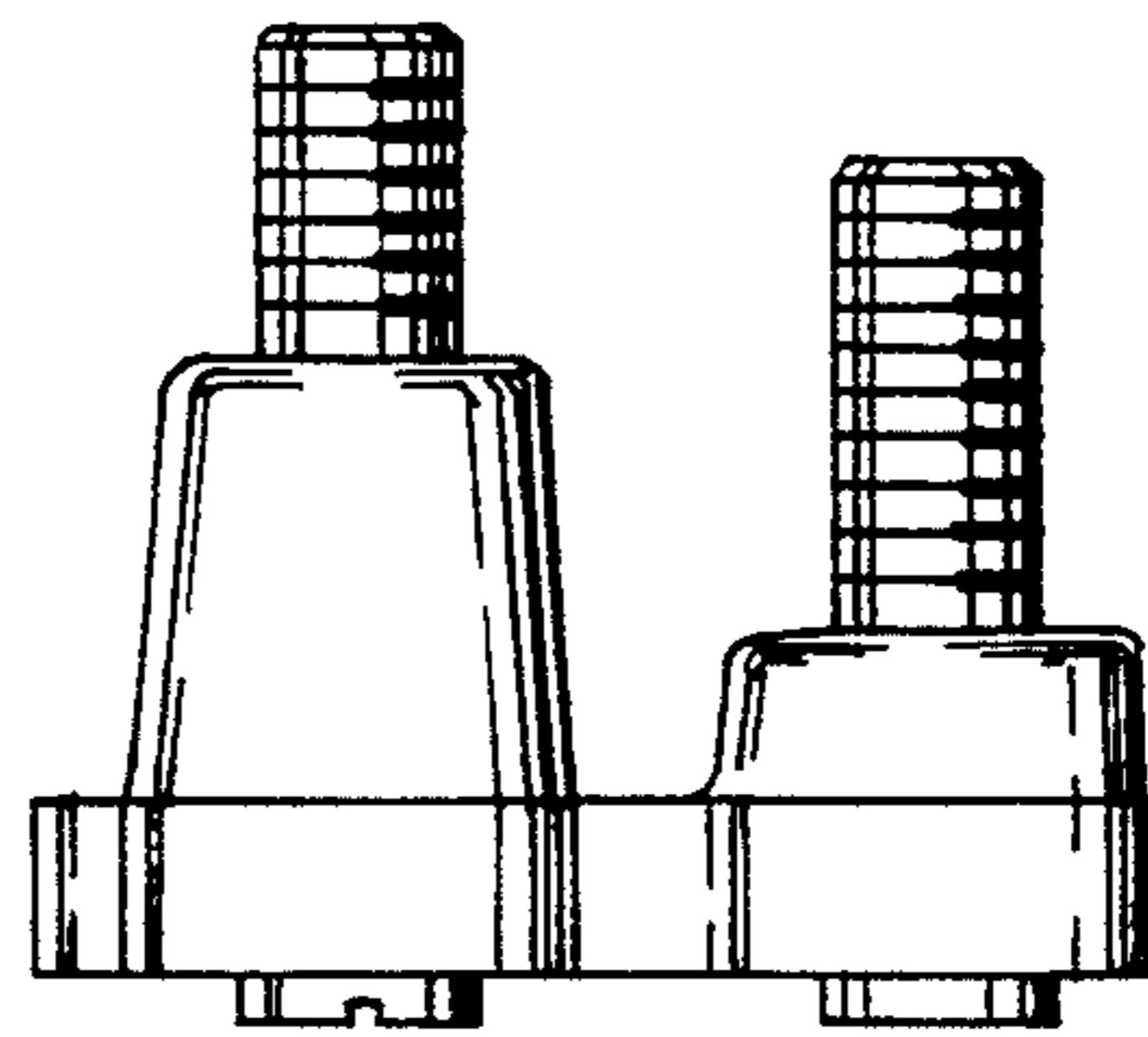


FIG. 7

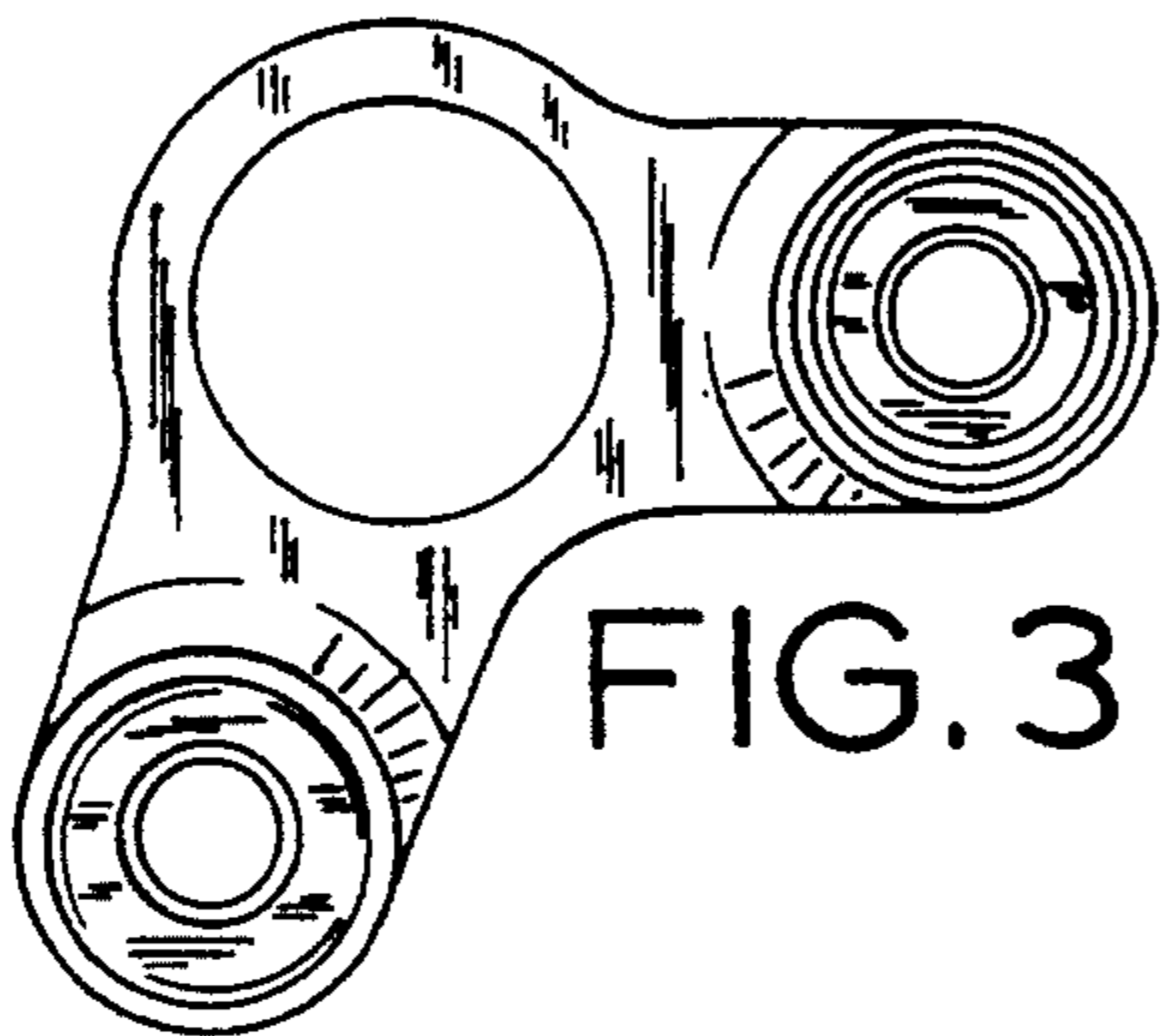


FIG. 3

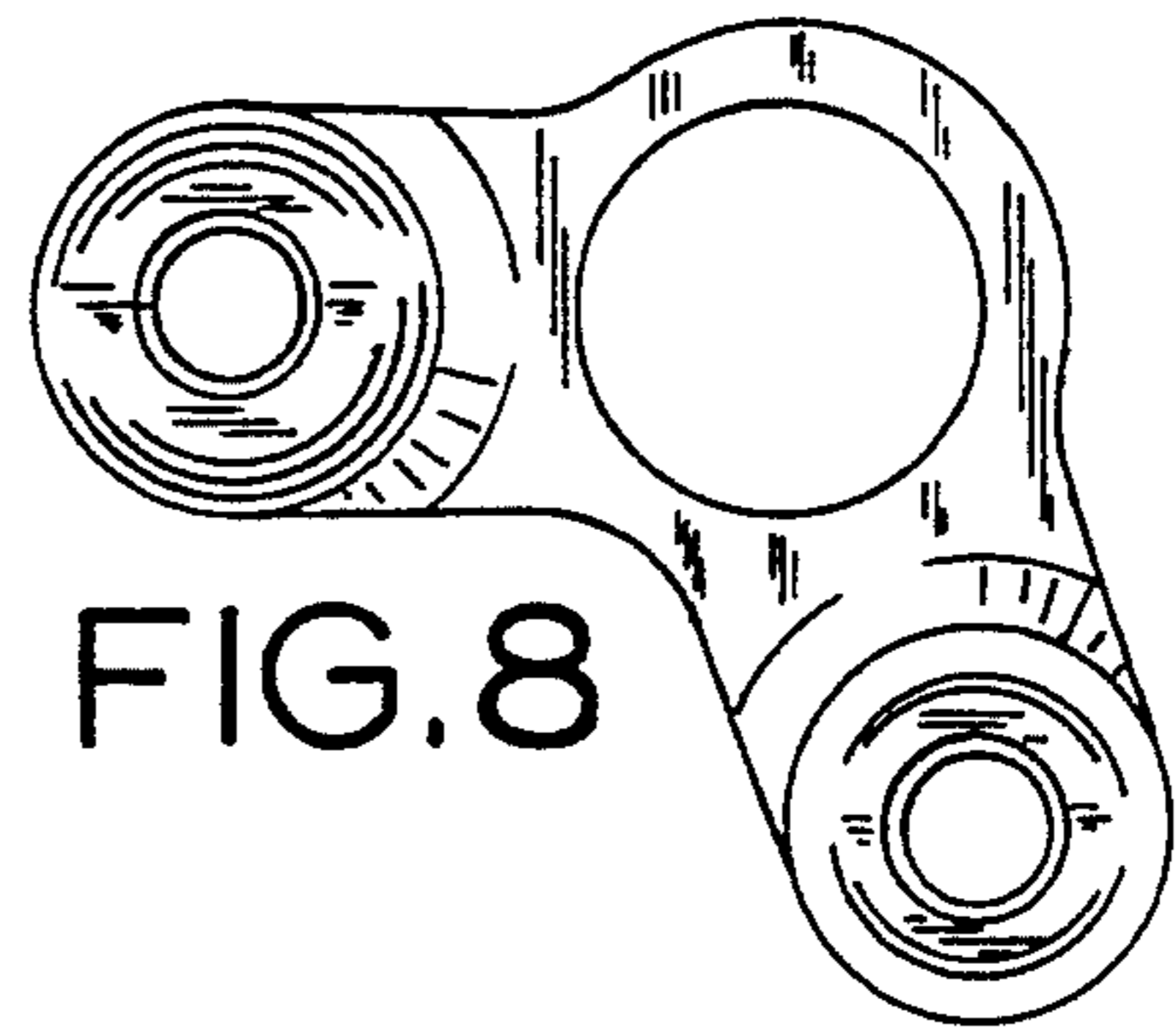


FIG. 8

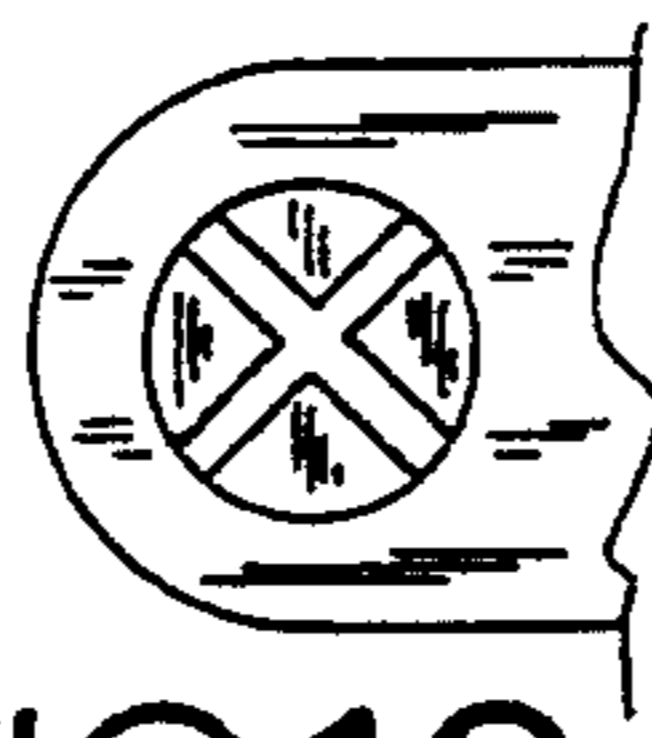


FIG. 10

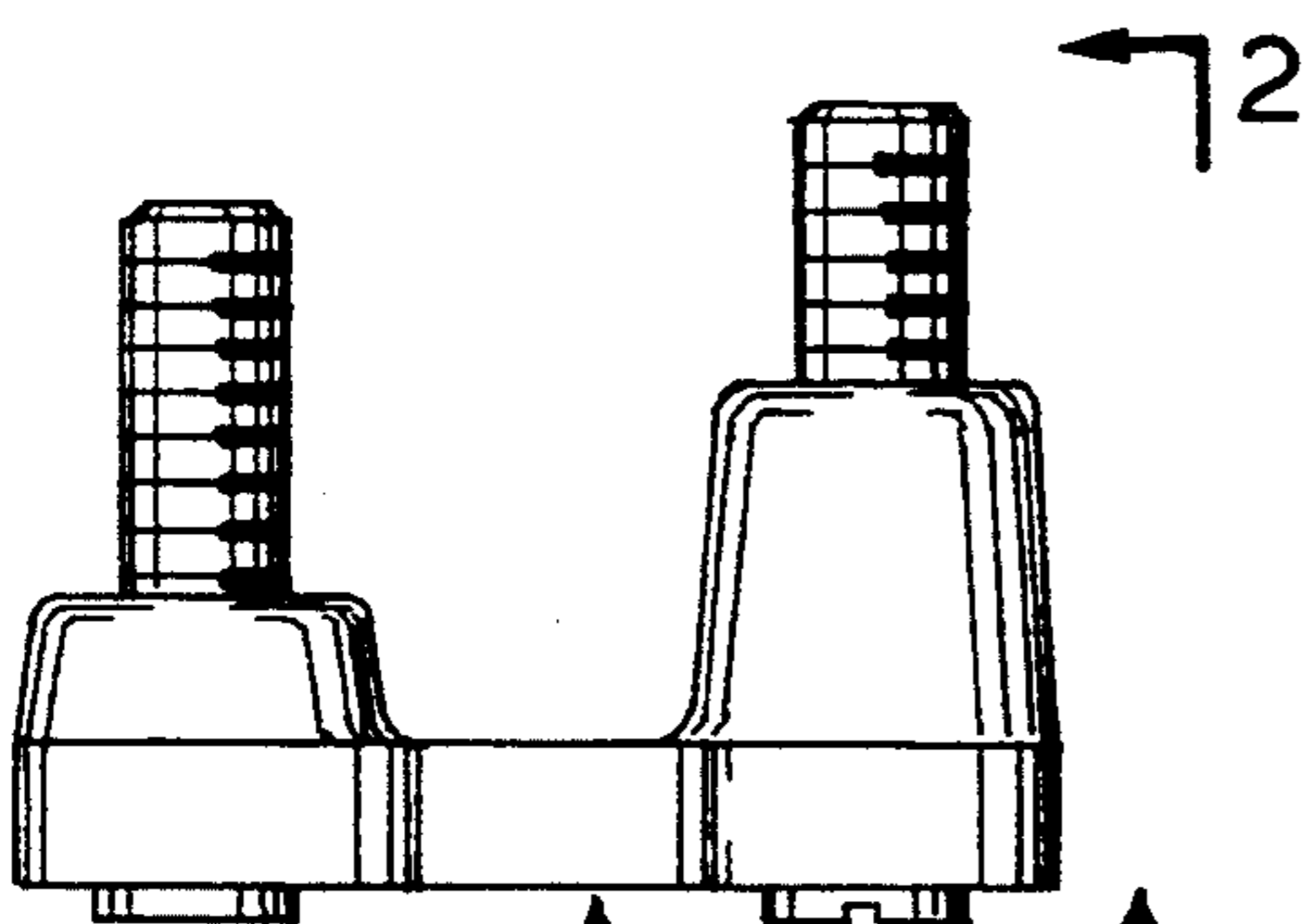


FIG. 4

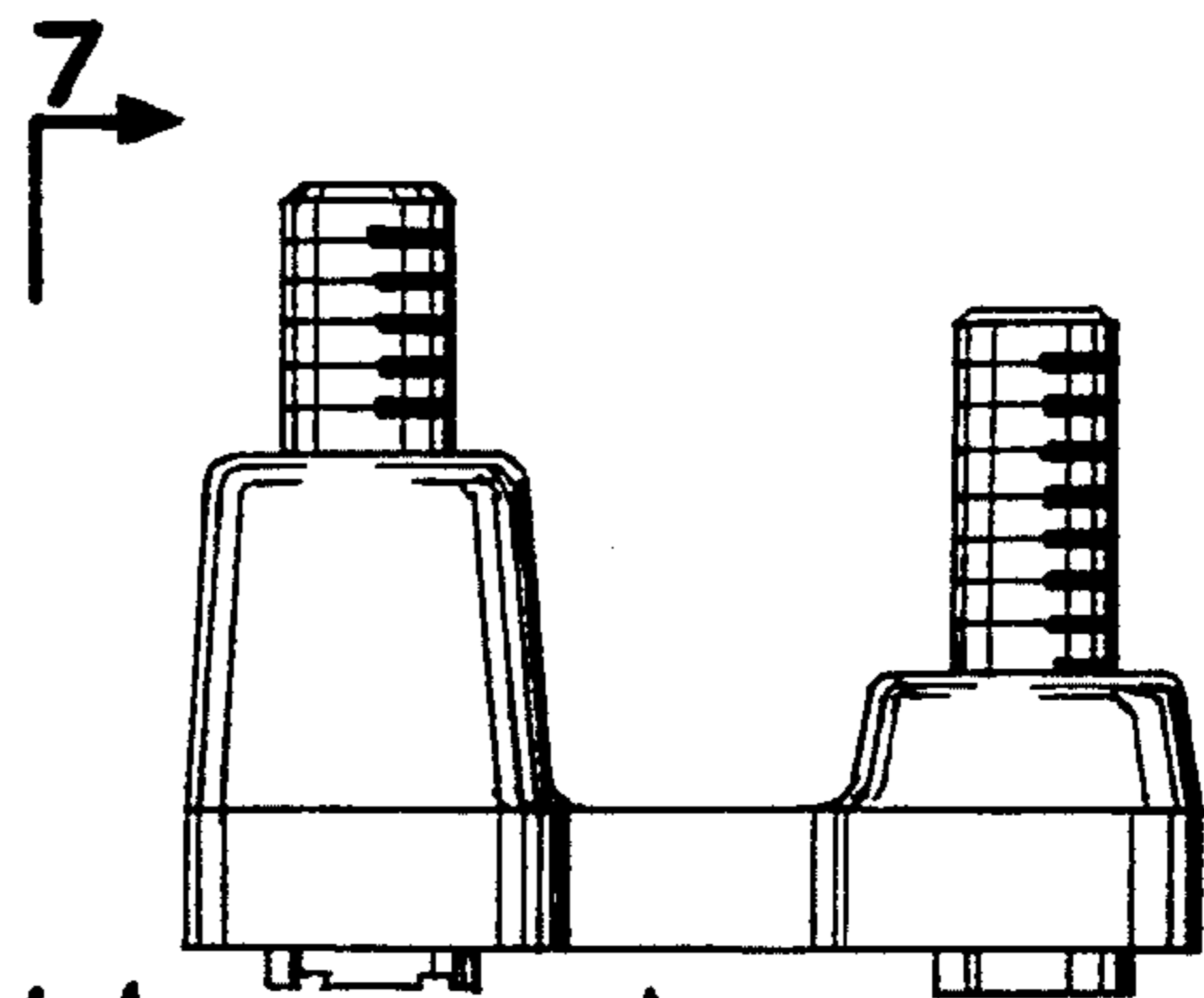


FIG. 9

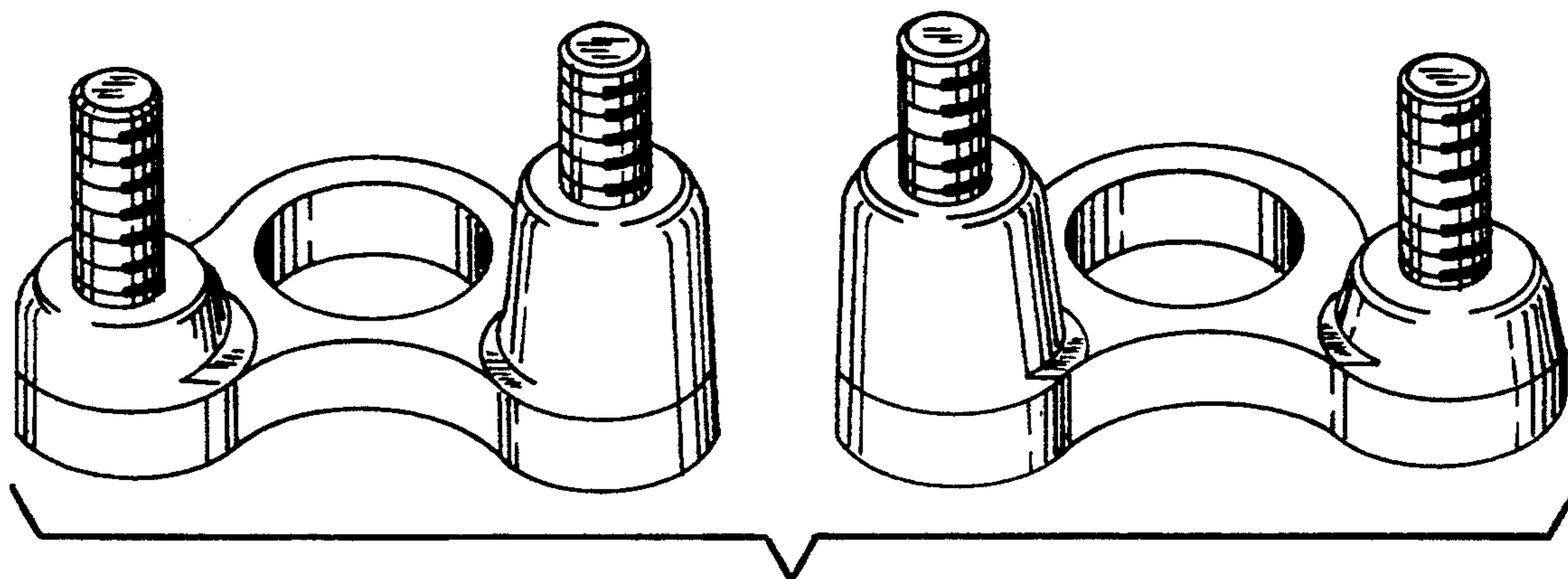


FIG.11