



US00D352271S

United States Patent [19]

Fangrow, Jr.

[11] Patent Number: **Des. 352,271**

[45] Date of Patent: **** Nov. 8, 1994**

[54] **ASPIRATOR RECHARGING BRACKET**

[75] Inventor: **Thomas F. Fangrow, Jr., Mission Viejo, Calif.**

[73] Assignee: **Life Support Products, Inc., Irvine, Calif.**

[**] Term: **14 Years**

[21] Appl. No.: **6,080**

[22] Filed: **Mar. 23, 1993**

[52] U.S. Cl. **D13/108**

[58] Field of Search 320/1, 2, 3, 4, 5, 14, 320/15, 21; 417/411; D13/107, 108

[56] **References Cited**

U.S. PATENT DOCUMENTS

- D. 218,105 7/1970 Sato D13/107
- D. 224,118 7/1972 Hartz D13/107 X
- D. 327,868 7/1992 Oka D13/110

- D. 342,231 12/1993 Walker et al. D13/108
- 3,390,319 6/1968 Robison 320/2
- 3,579,075 5/1971 Floyd D13/107 X
- 4,419,616 12/1983 Baskins et al. 320/2
- 5,158,528 10/1992 Walker et al. 417/411

Primary Examiner—Wallace R. Burke

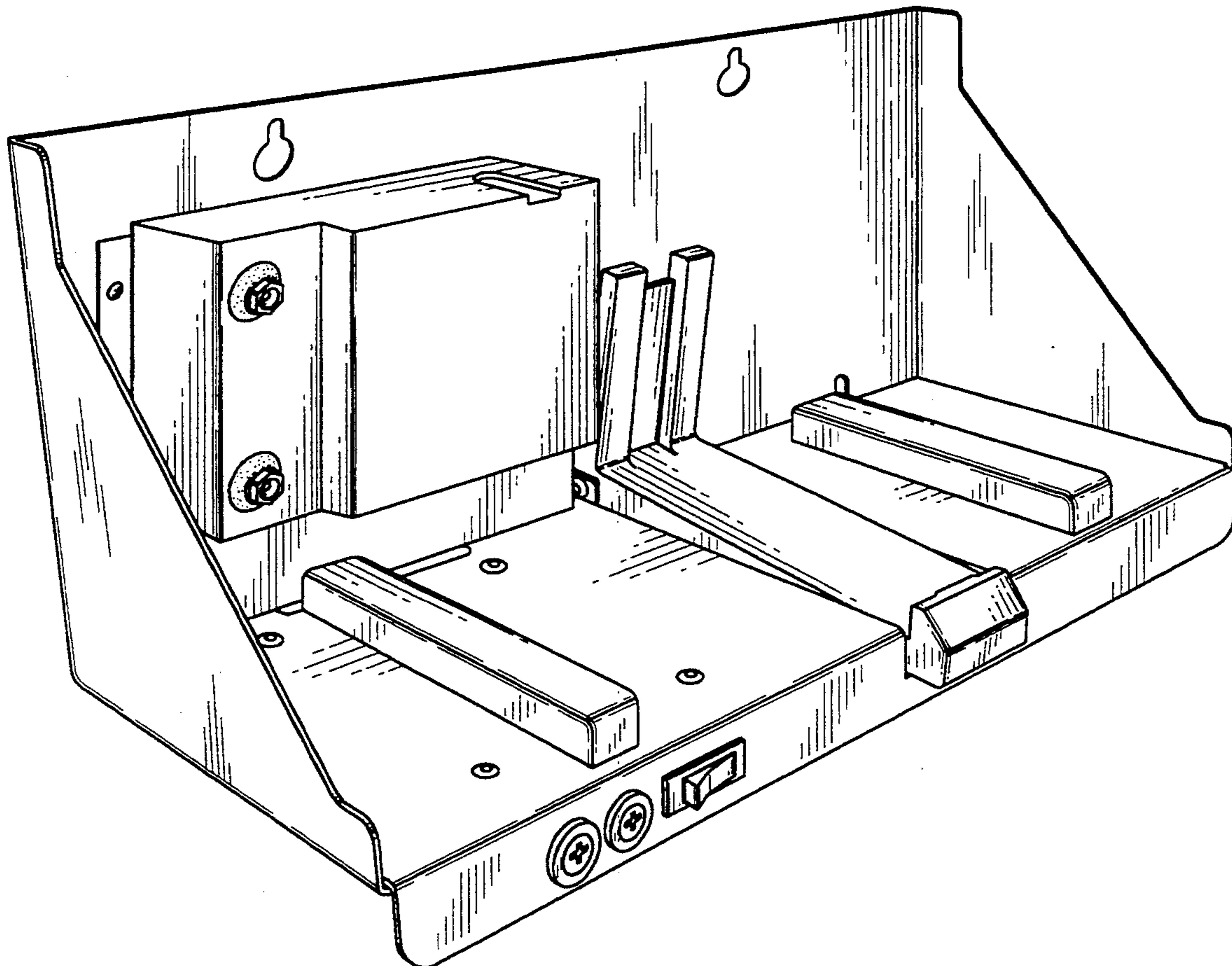
Assistant Examiner—Joel Sincavage

[57] **CLAIM**

The ornamental design for an aspirator recharging bracket, as shown.

DESCRIPTION

FIG. 1 is a top perspective view of an aspirator recharging bracket showing my design;
 FIG. 2 is a top plan view thereof;
 FIG. 3 is a front elevational view thereof;
 FIG. 4 is a bottom plan view thereof;
 FIG. 5 is a rear elevational view thereof;
 FIG. 6 is a right side elevational view thereof; and,
 FIG. 7 is a left side elevational view thereof.



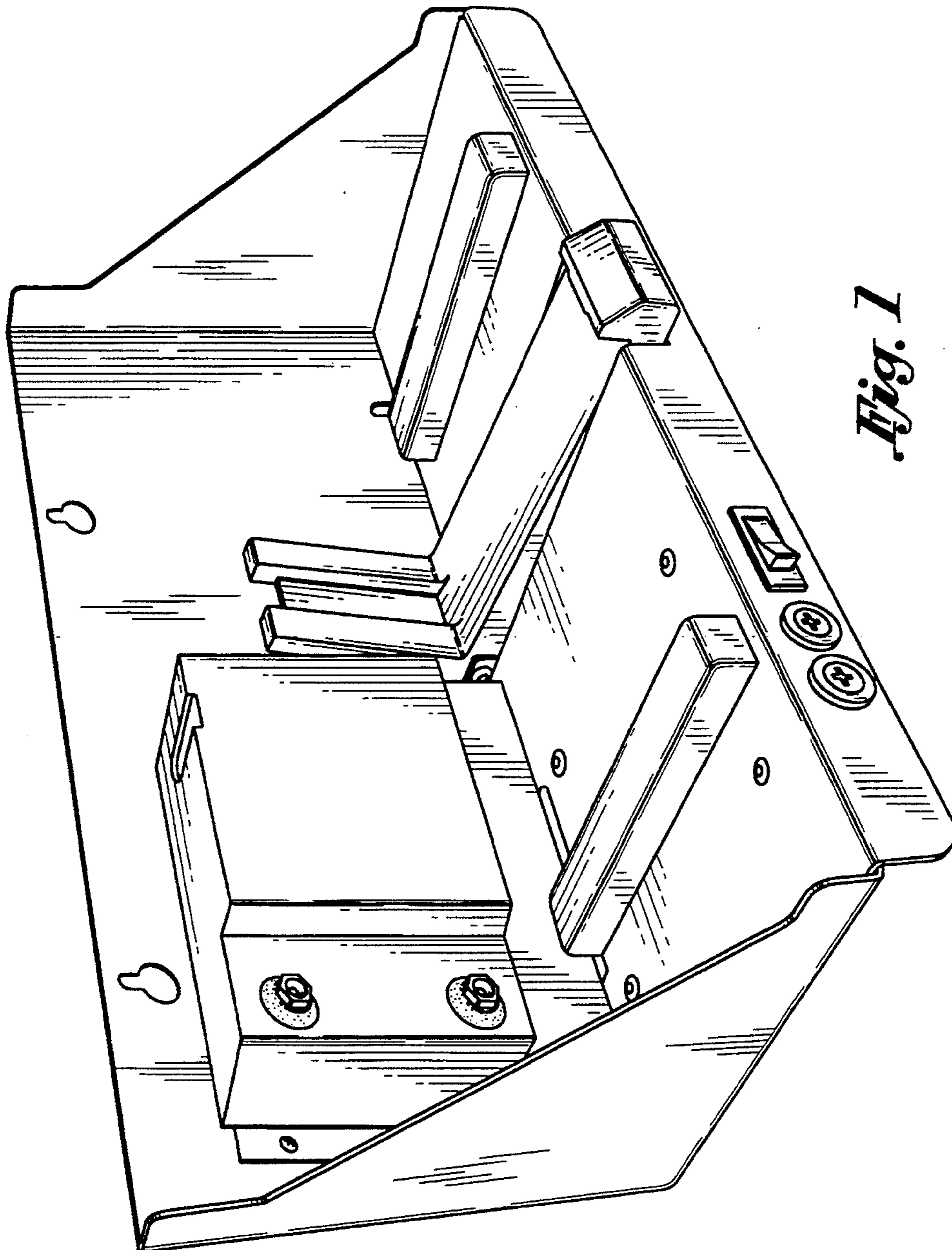


Fig. 1

Fig. 2

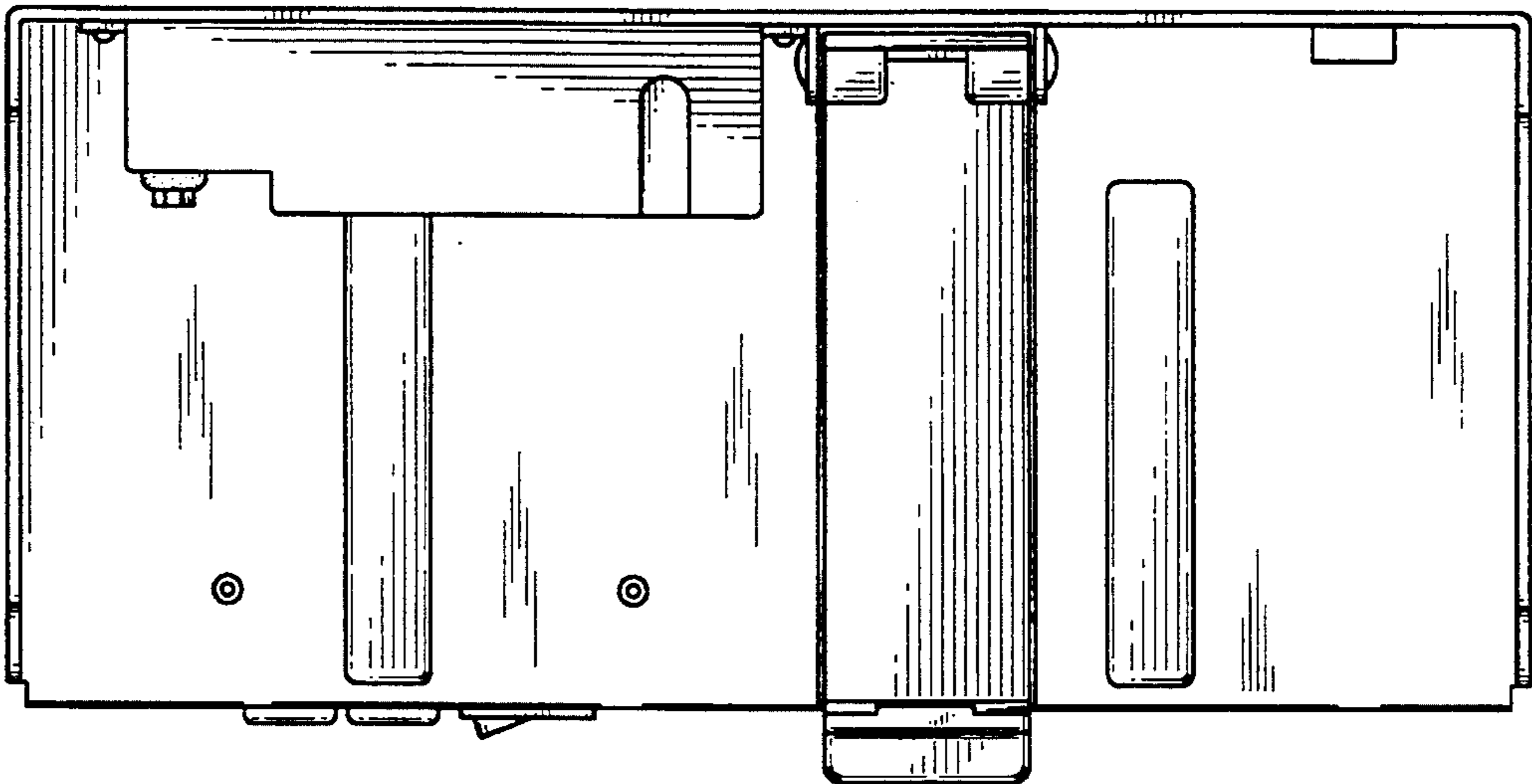


Fig. 3

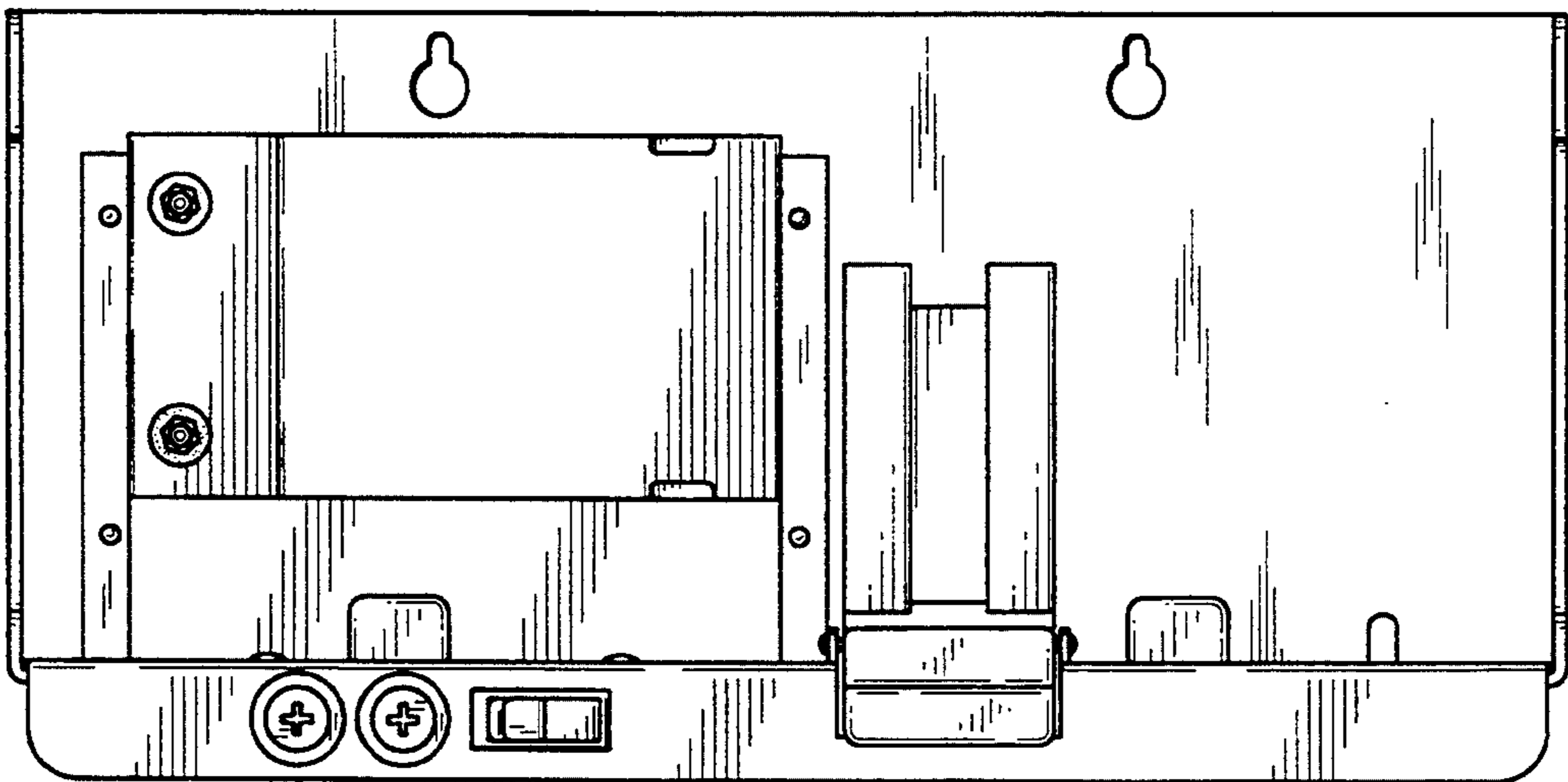


Fig. 4

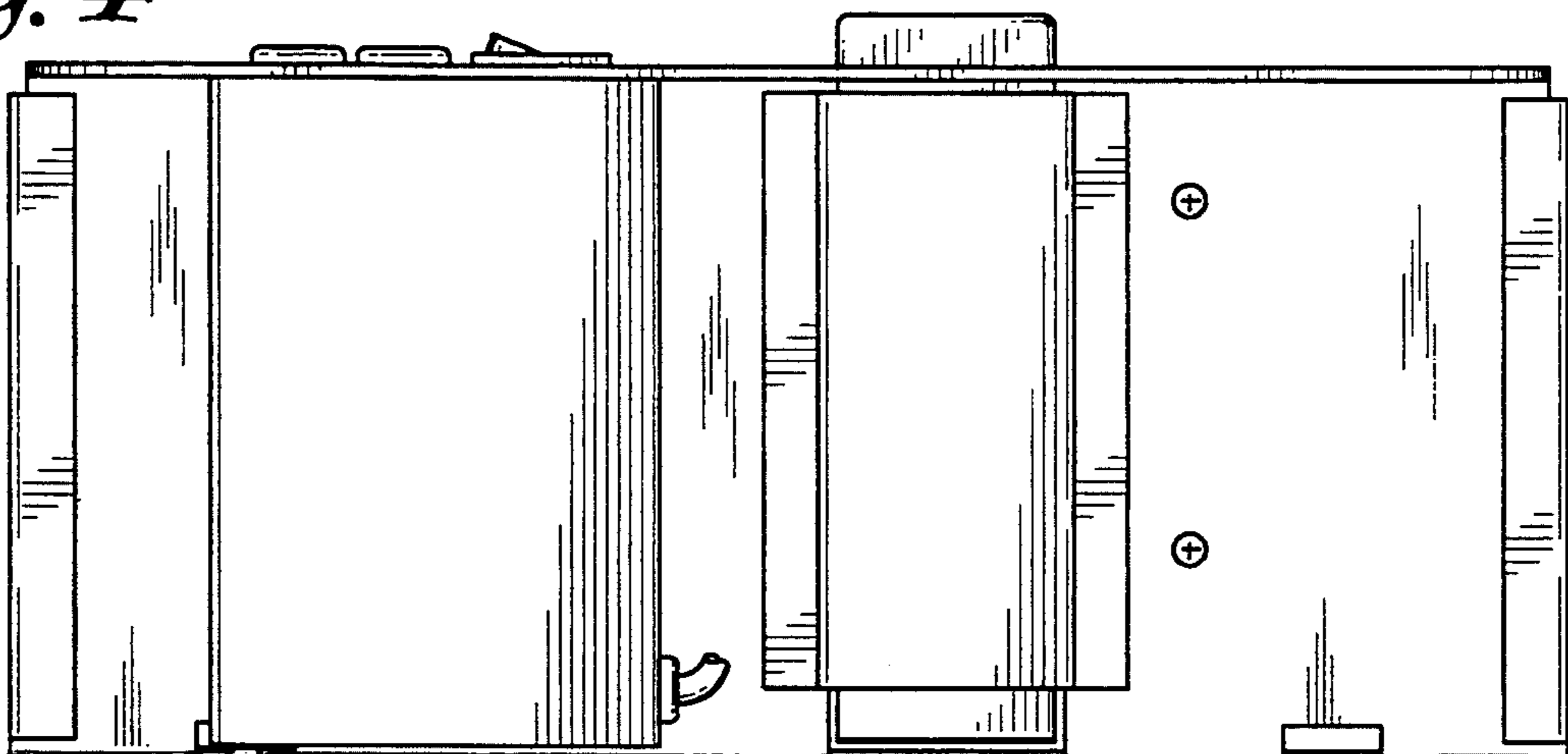


Fig. 5

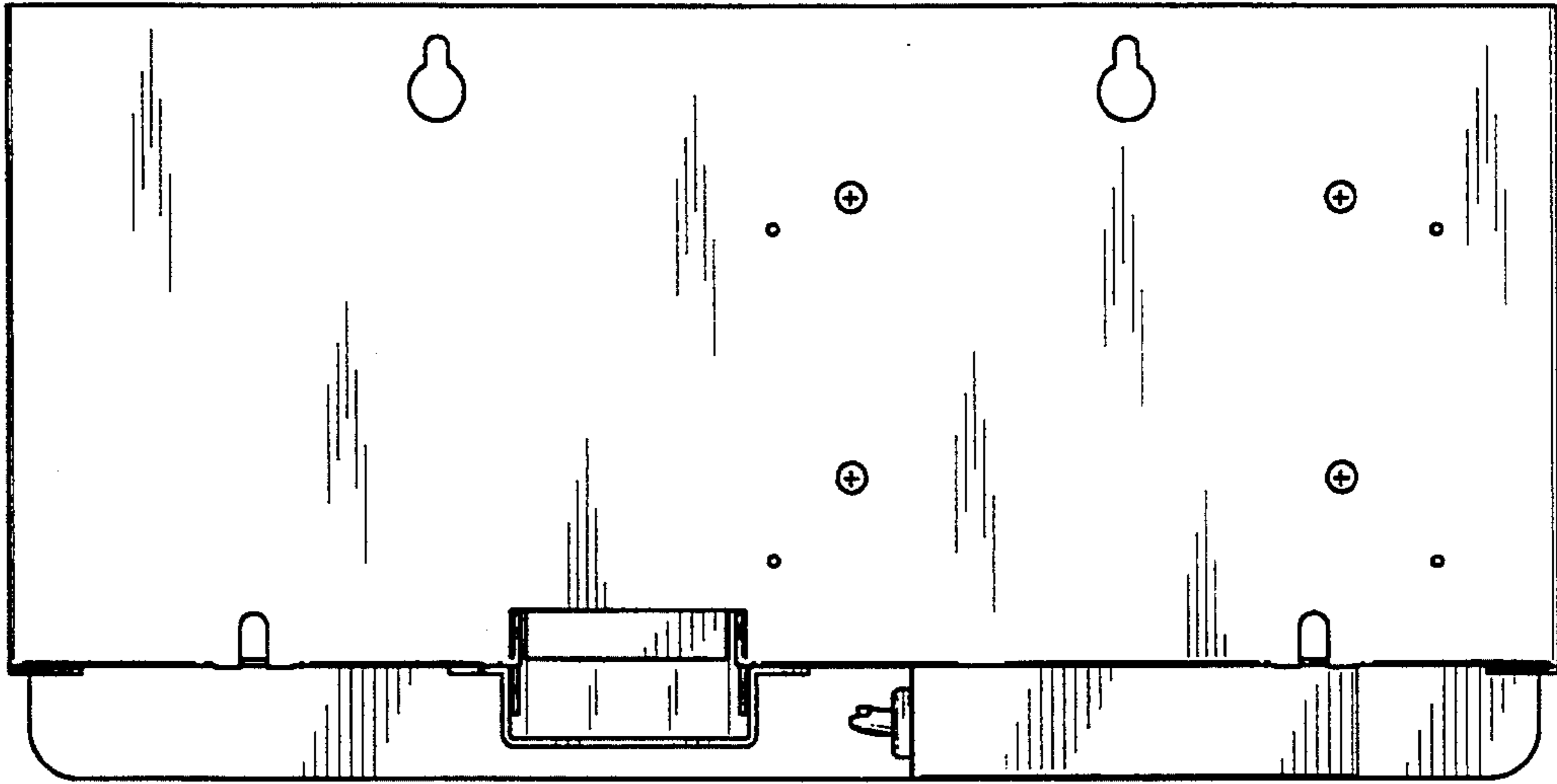


Fig. 6

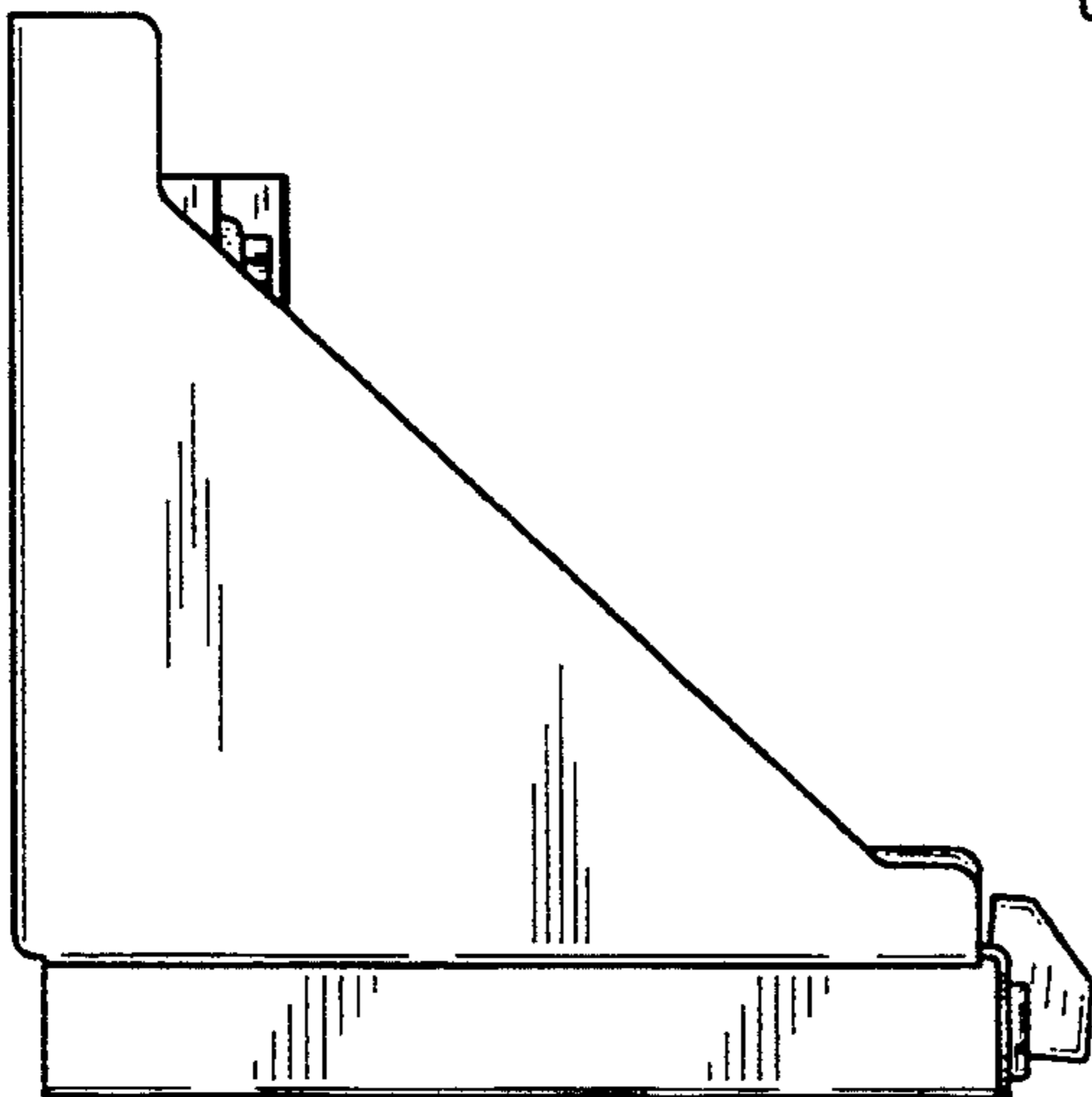
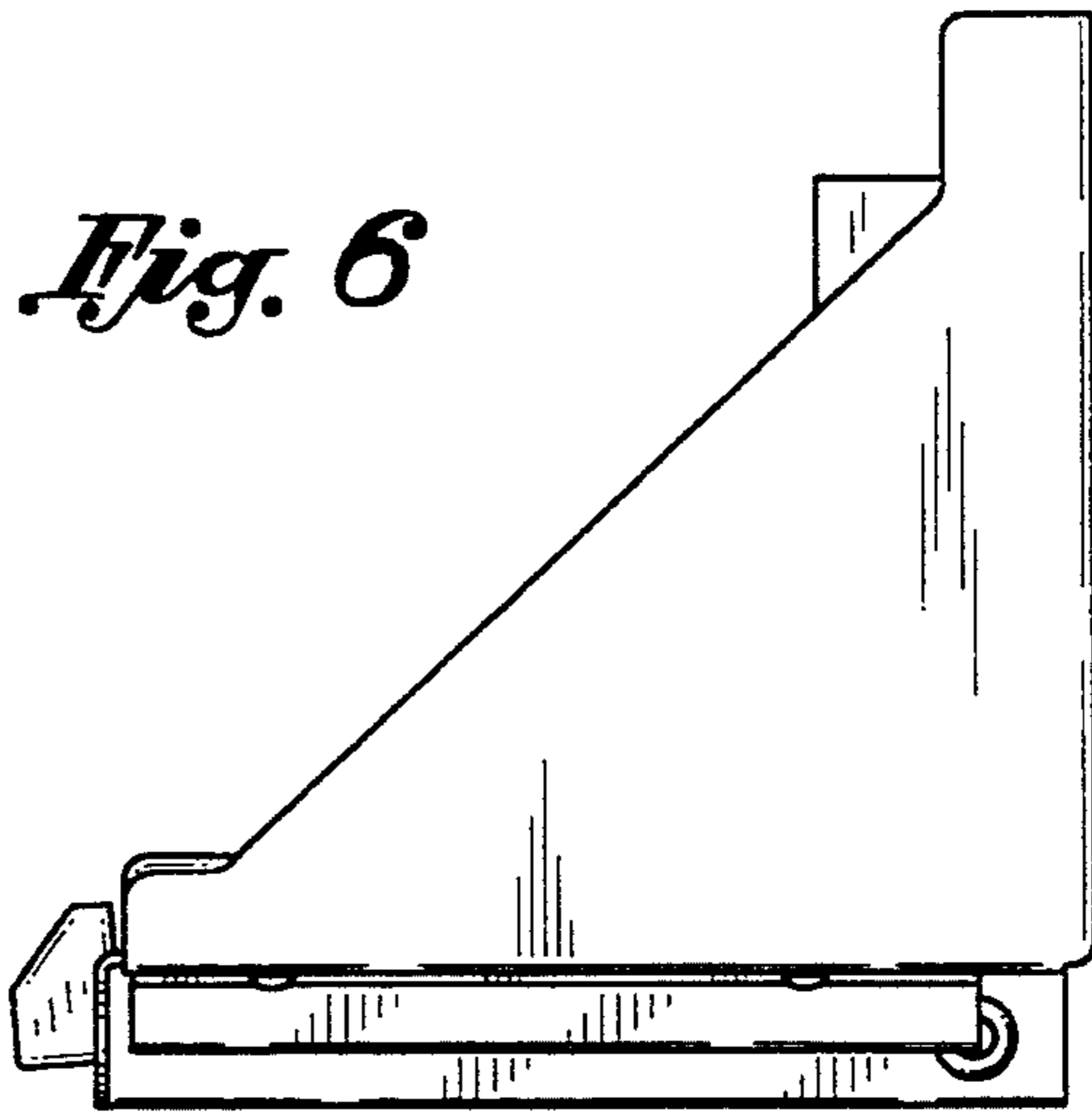


Fig. 7