



US00D352262S

# United States Patent [19]

Hawkes et al.

[11] Patent Number: **Des. 352,262**

[45] Date of Patent: **\*\* Nov. 8, 1994**

[54] **STORABLE TAILGATE FOR TRUCKS**

4,531,773 7/1985 Smith ..... 296/26

[76] Inventors: **James E. Hawkes; Valerie A. Hawkes**, both of 5055 Tamarus #5205, Las Vegas, Nev. 89119

*Primary Examiner*—James M. Gandy  
*Attorney, Agent, or Firm*—Terry M. Gernstein

[\*\*] Term: **14 Years**

[57] **CLAIM**

The ornamental design for a storable tailgate for trucks, as shown and described.

[21] Appl. No.: **5,539**

**DESCRIPTION**

[22] Filed: **Mar. 5, 1993**

[52] U.S. Cl. .... **D12/196**

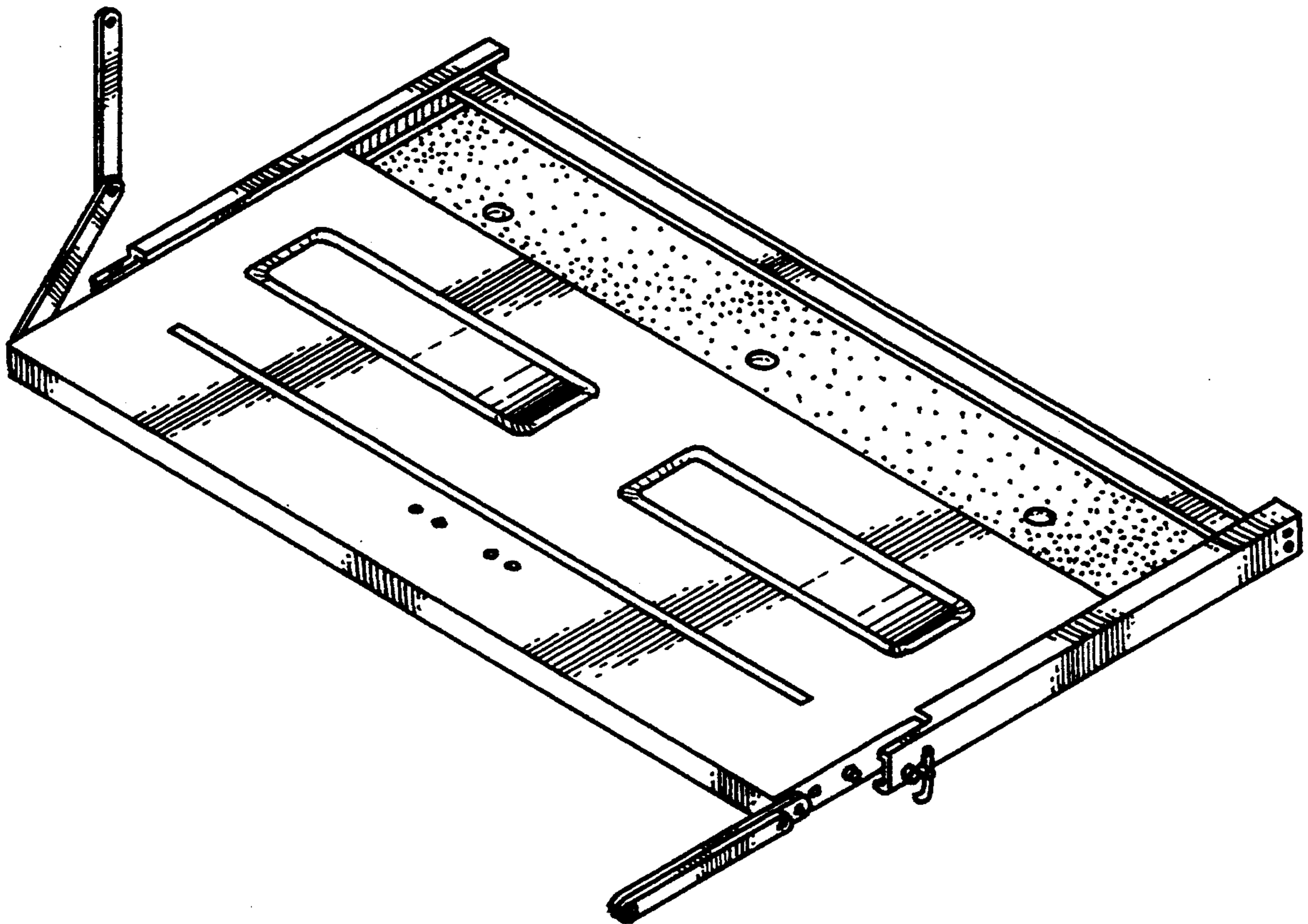
[58] Field of Search ..... 296/26, 27, 50, 55, 296/57.1, 60; D12/98, 196

FIG. 1 is a front, top and side perspective view of the storable tailgate for trucks showing our new design; FIG. 2 is a front elevational view thereof; FIG. 3 is a rear elevational view thereof; FIG. 4 is a side elevational view thereof; FIG. 5 is an opposite side elevational view thereof; FIG. 6 is a top plan view thereof; and, FIG. 7 is a bottom plan view thereof.

[56] **References Cited**

**U.S. PATENT DOCUMENTS**

4,023,850 5/1977 Tillery ..... 296/26



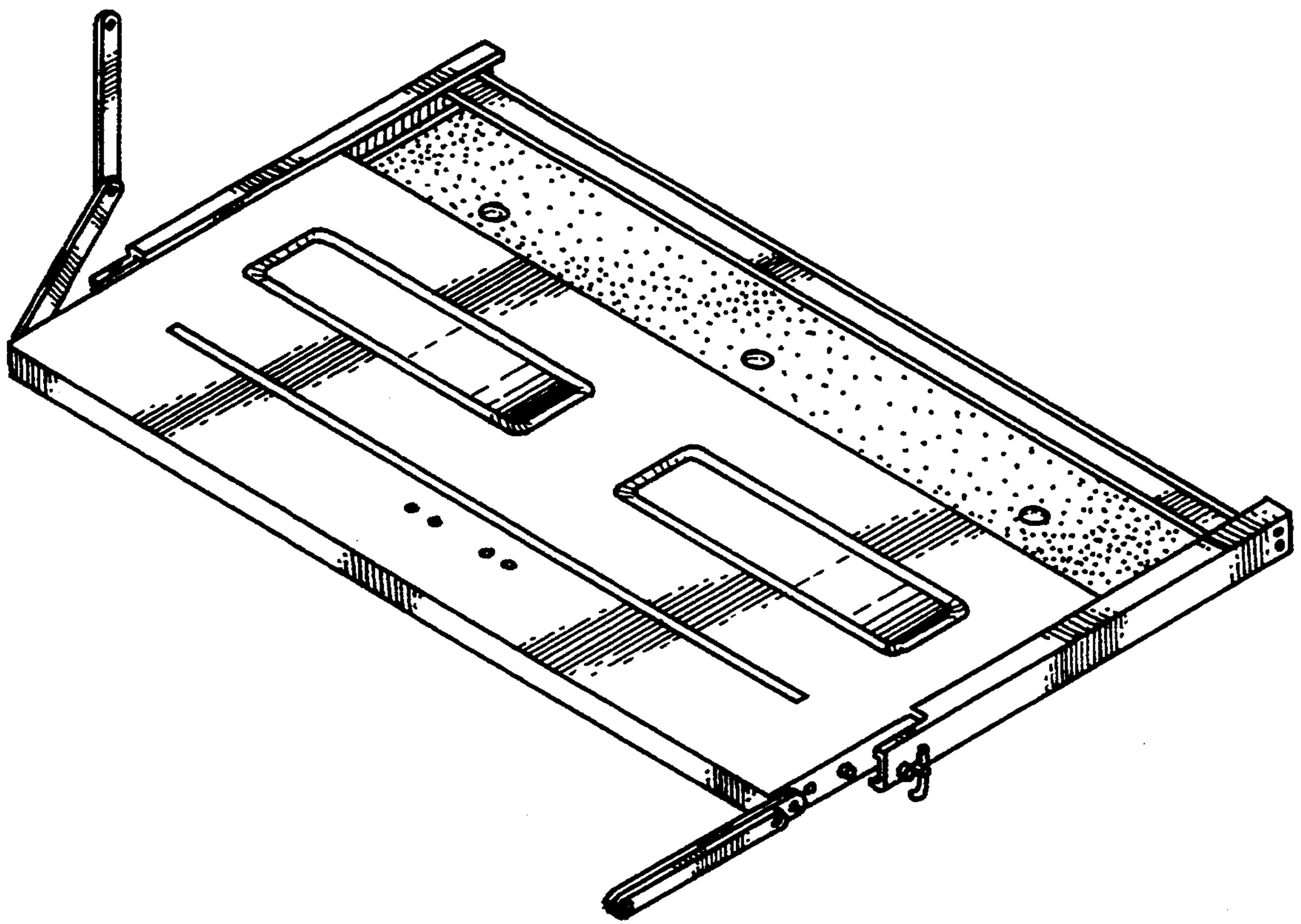


FIG. 1

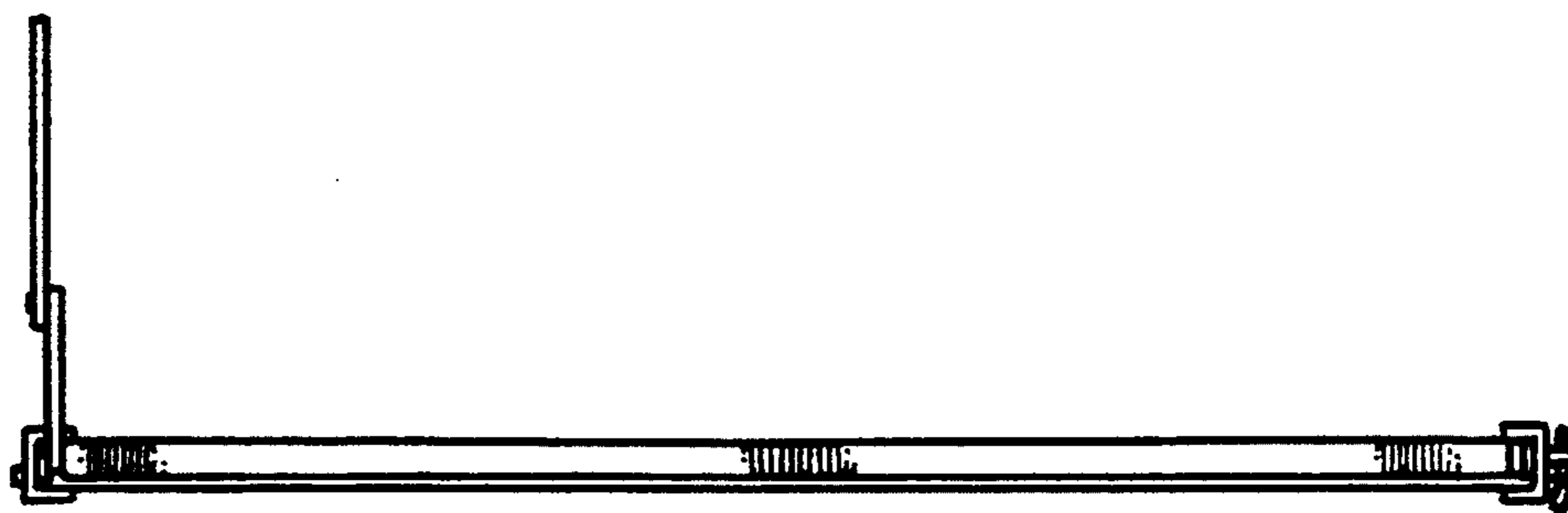


FIG. 2

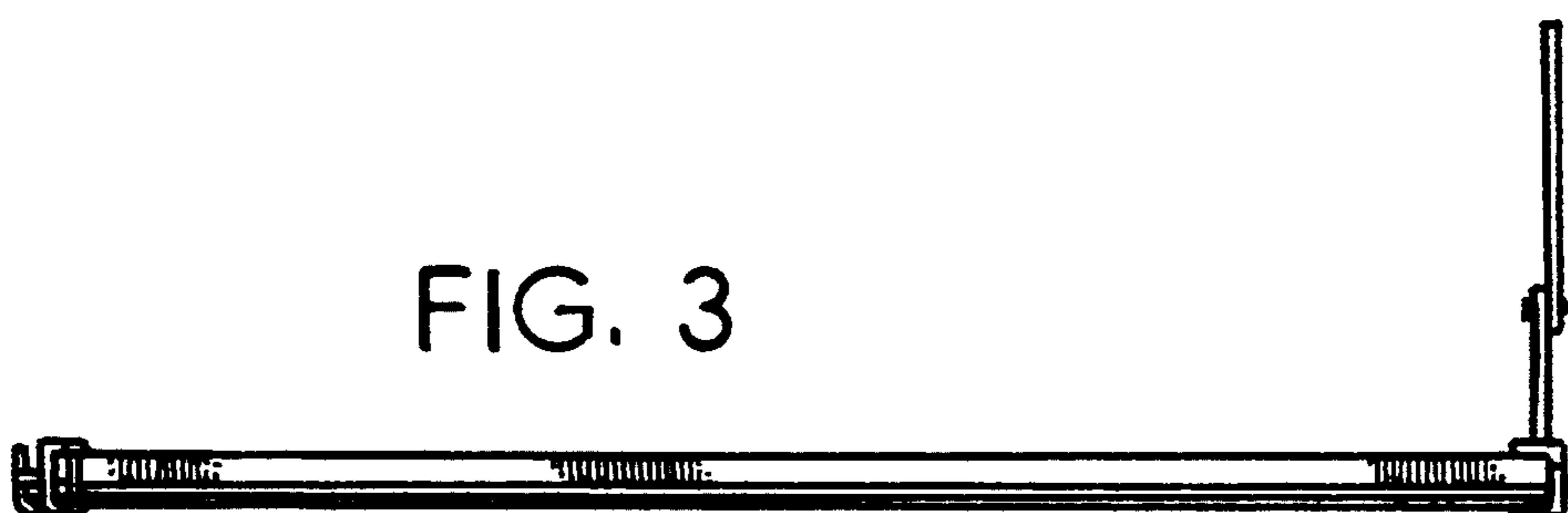


FIG. 3

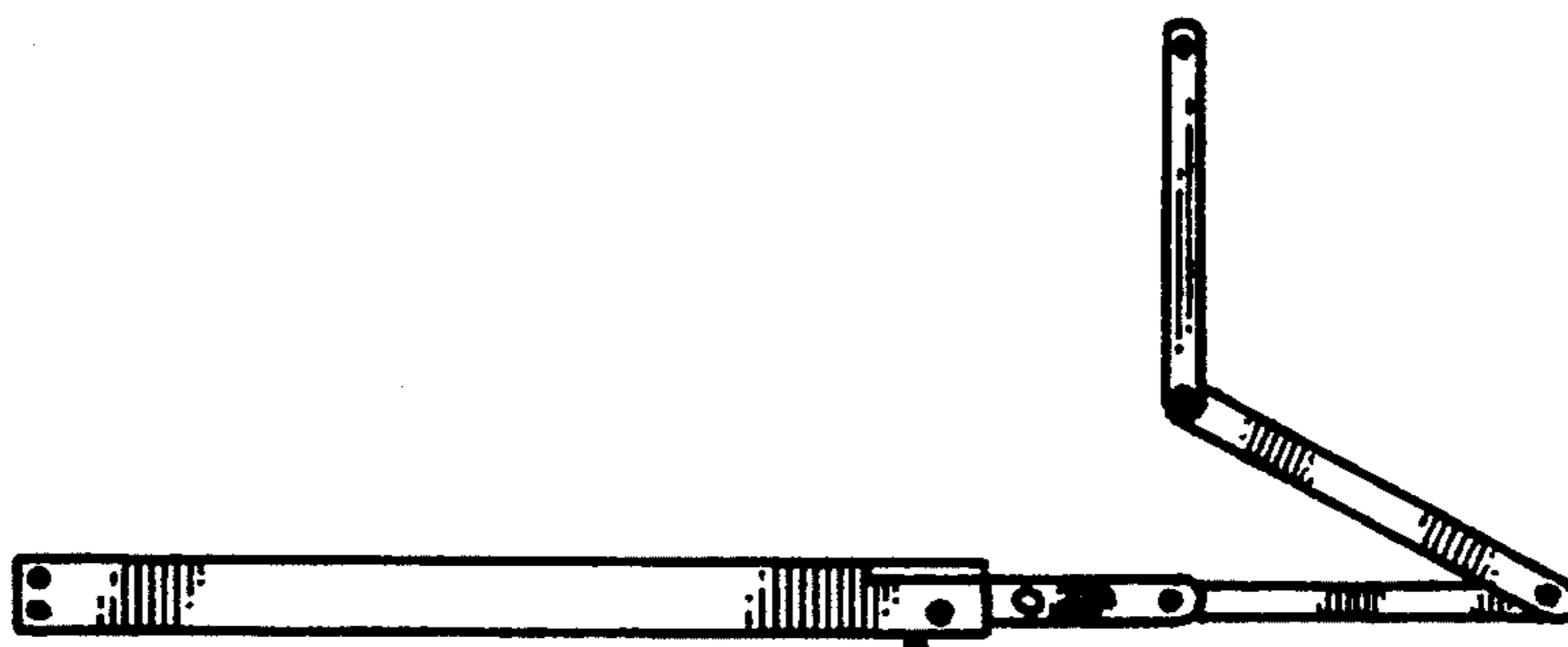


FIG. 4

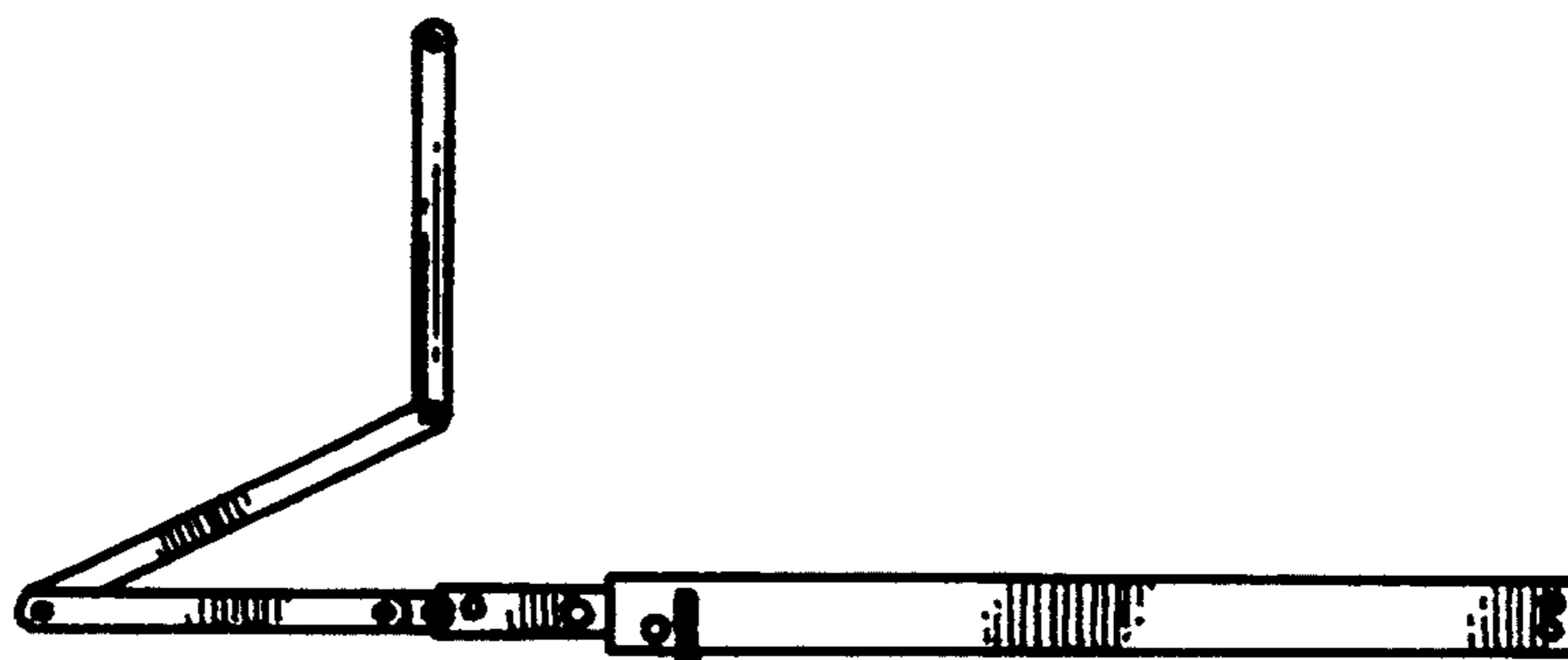


FIG. 5

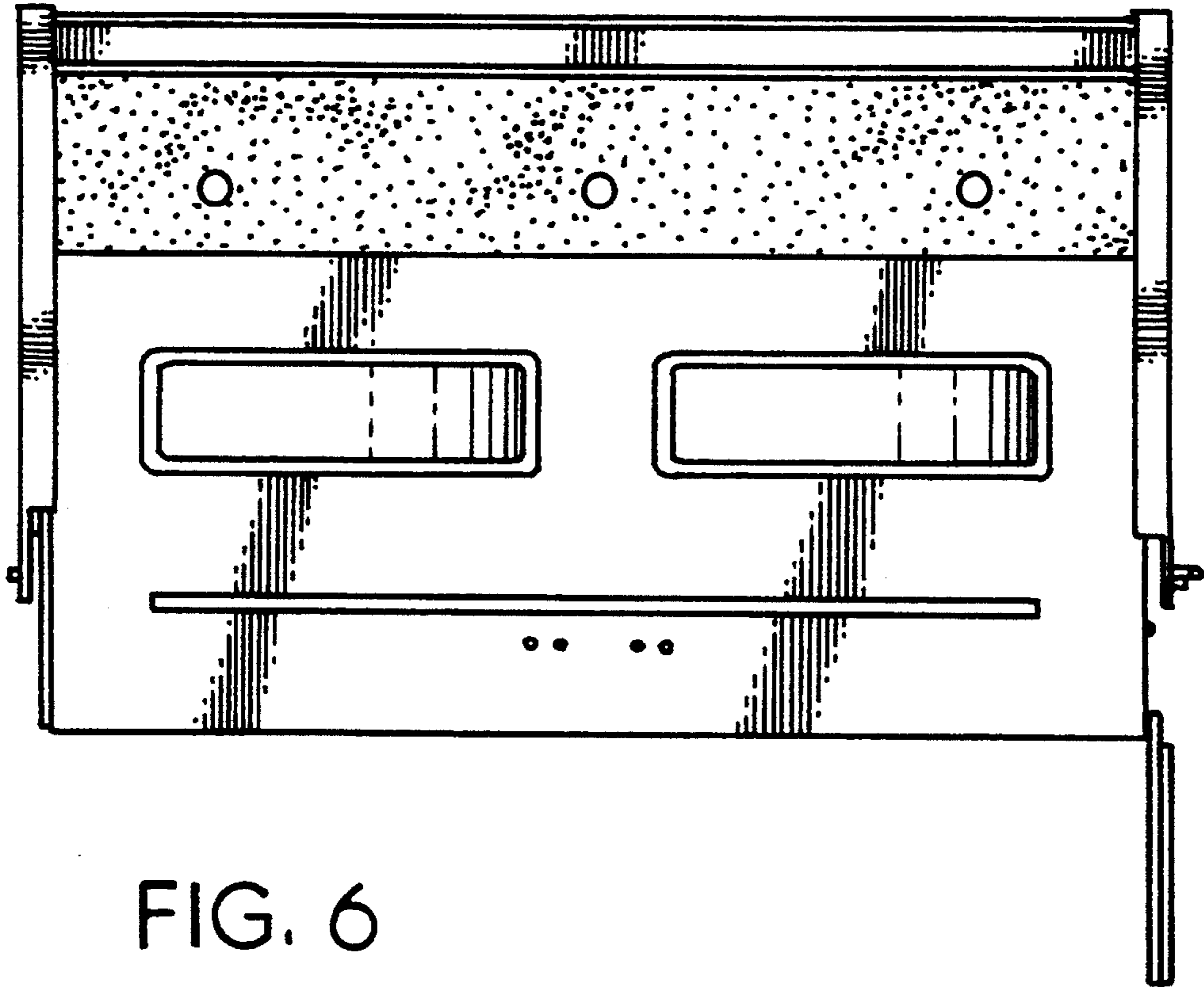


FIG. 6

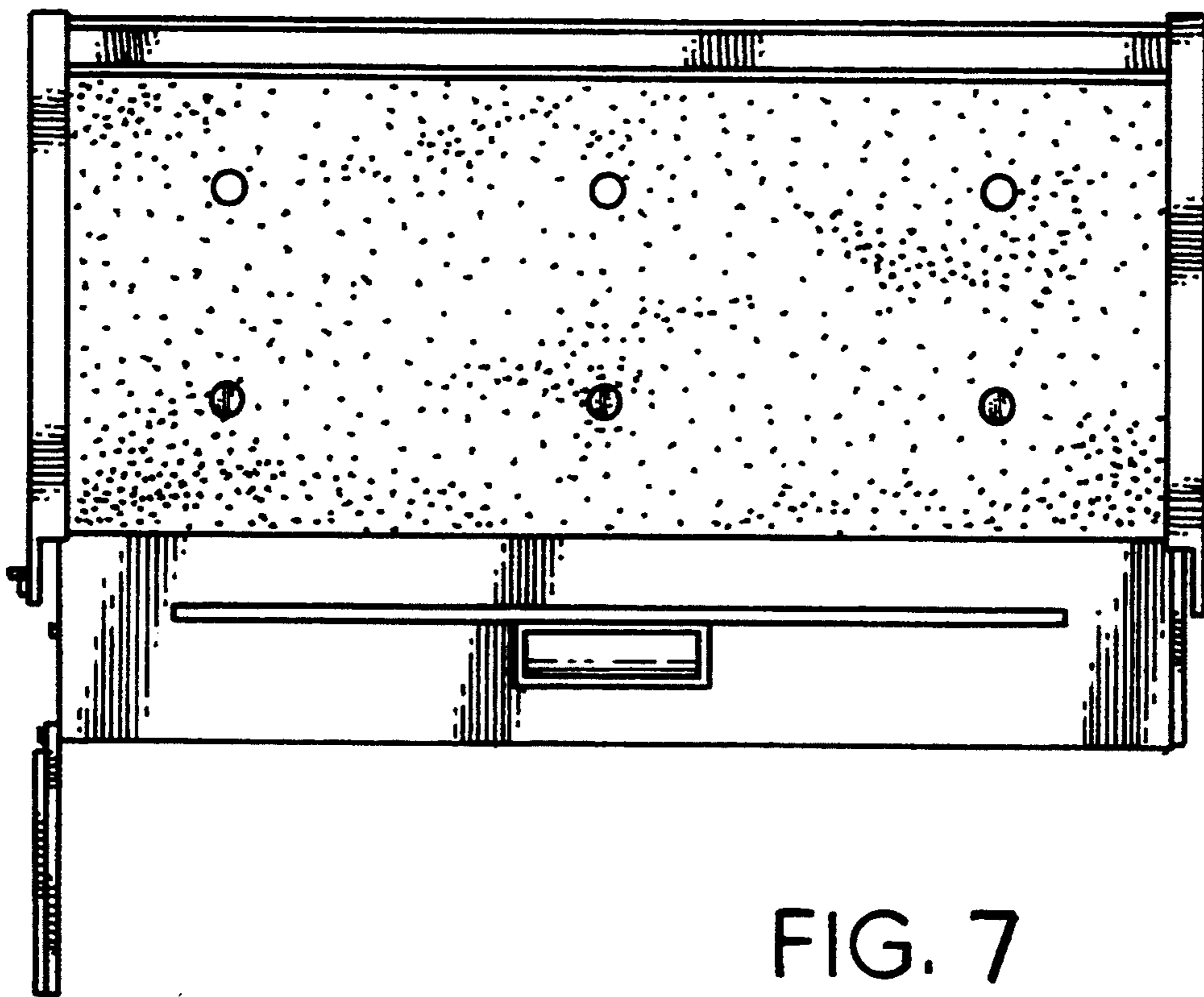


FIG. 7