



US00D352260S

United States Patent [19]

[11] Patent Number: **Des. 352,260**

Adamo

[45] Date of Patent: **** Nov. 8, 1994**

[54] **WALKER APRON WITH POCKETS**

[76] Inventor: **Helen J. Adamo**, 1182 Pallwood, Memphis, Tenn. 38122

[**] Term: **14 Years**

[21] Appl. No.: **3,829**

[22] Filed: **Jan. 19, 1993**

[52] U.S. Cl. **D12/133**

[58] Field of Search 224/42.46 R; 135/67; 297/188; D12/133, 130

[56] **References Cited**

U.S. PATENT DOCUMENTS

D. 323,933	2/1992	Johnston	D12/133
4,974,760	12/1990	Miller	224/42.46 R
5,012,963	5/1991	Rosenbaum	224/42.46 R
5,040,711	8/1991	Niederhauser et al.	224/42.46 R
5,154,331	10/1992	Sanders	224/42.46 R

Primary Examiner—Kay H. Chin

Attorney, Agent, or Firm—Walker, McKenzie & Walker

[57] **CLAIM**

The ornamental design for a walker apron with pockets, as shown and described.

DESCRIPTION

FIG. 1 is a top, front perspective view of a walker apron with pockets, showing a first embodiment of my new design;

FIG. 2 is a bottom, rear perspective view of the walker apron with pockets of FIG. 1;

FIG. 3 is a top, front perspective view of the walker apron with pockets of FIG. 1 shown attached to a walker with the walker being shown in broken lines for illustrative purposes only;

FIG. 4 is a top, front perspective view of a walker apron with pockets, showing a second embodiment of my new design, shown attached to a walker being shown in broken lines for illustrative purposes only;

FIG. 5 is a top, front perspective view of the walker apron with pockets of FIG. 4; and,

FIG. 6 is a bottom, rear perspective view of the walker apron with pockets of FIG. 4.

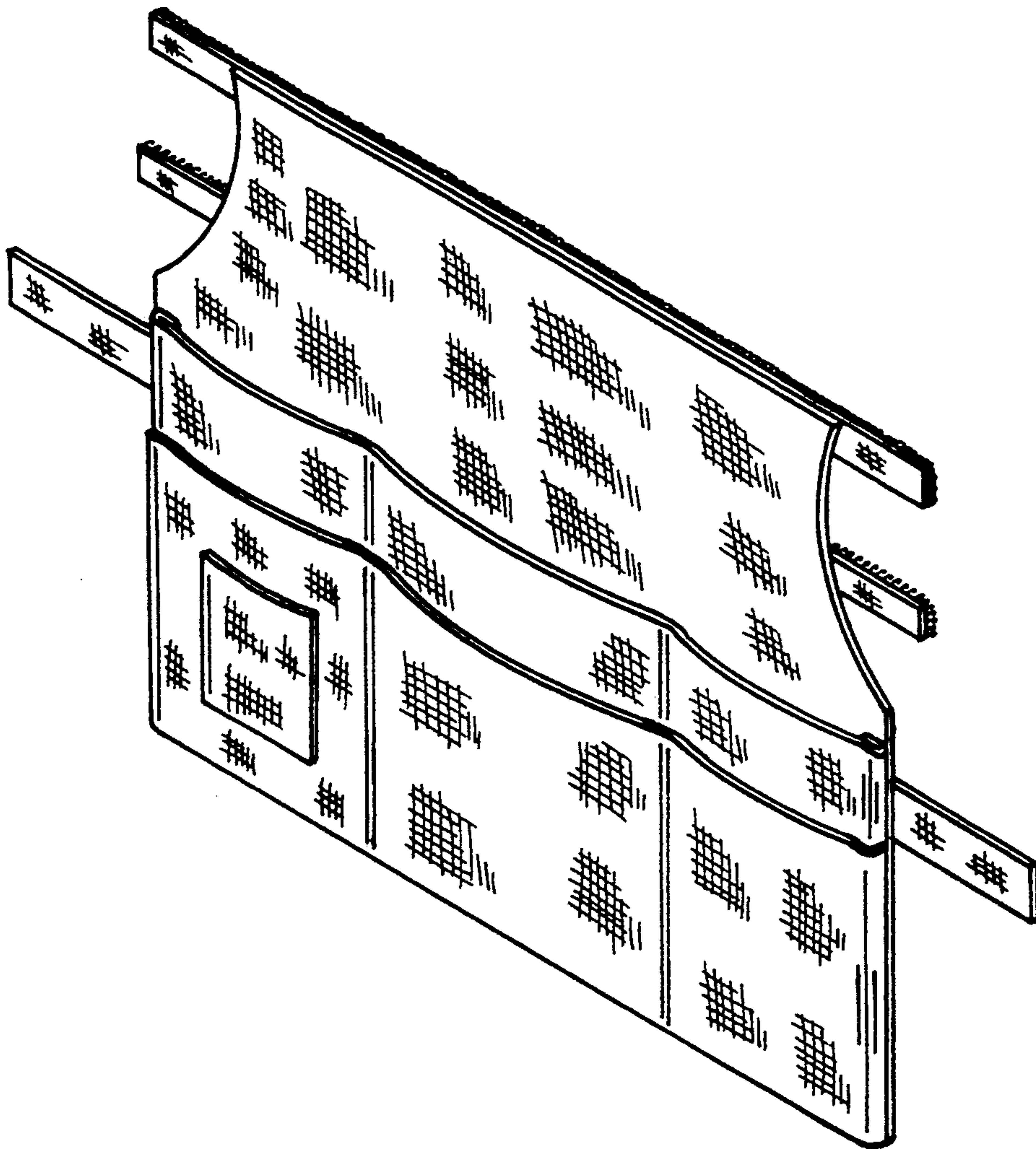


FIG. 1

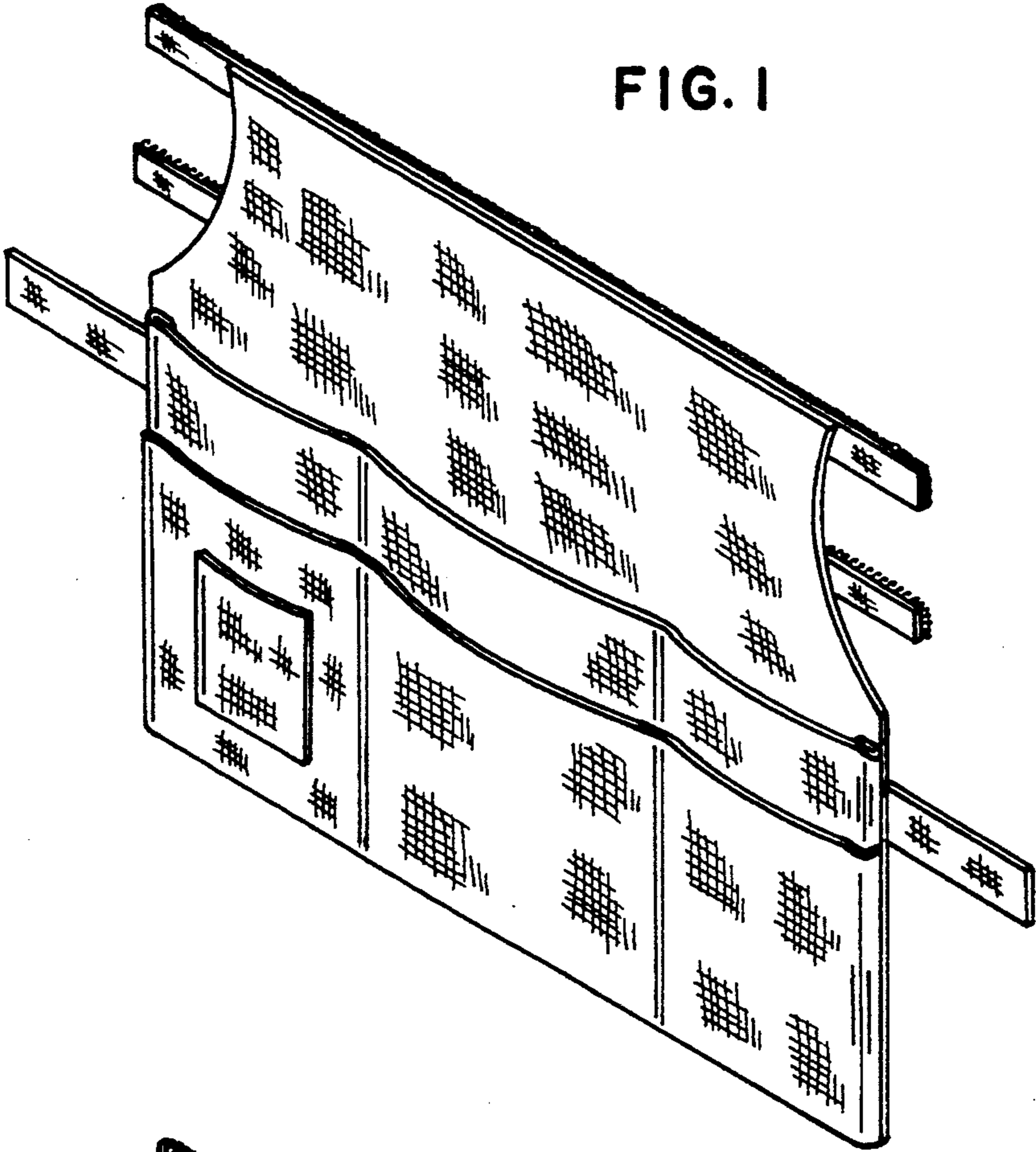


FIG. 2

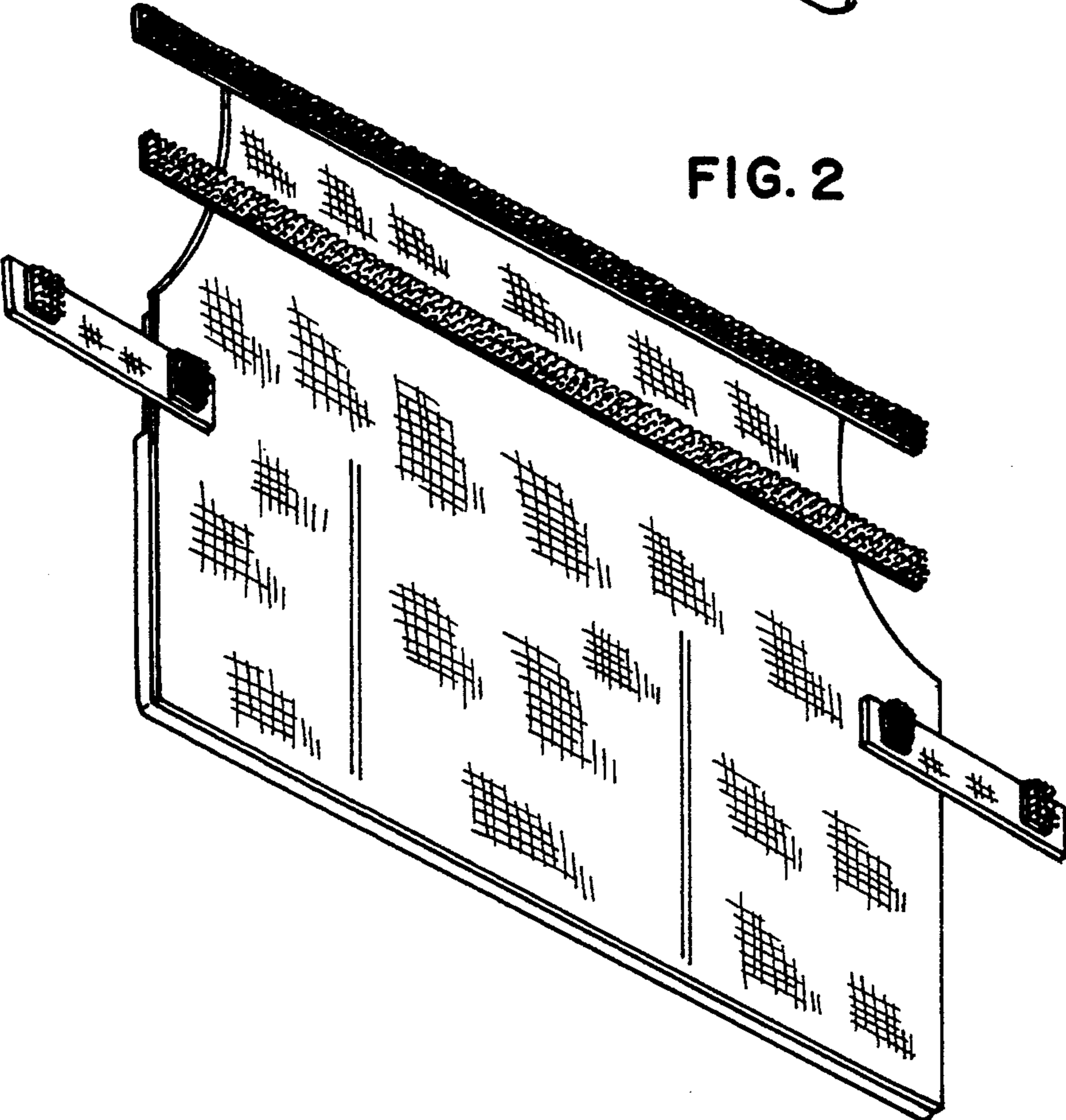


FIG. 3

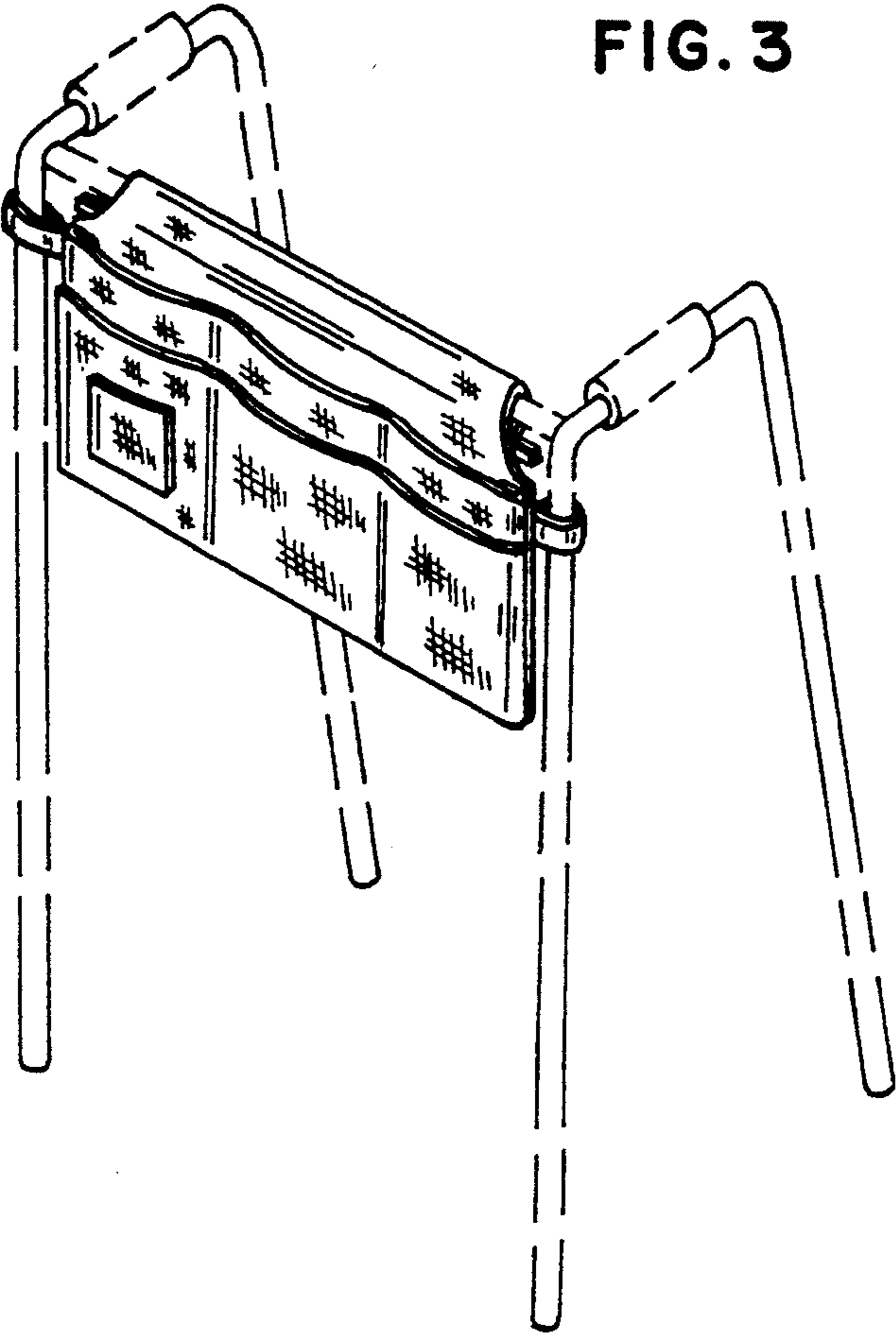
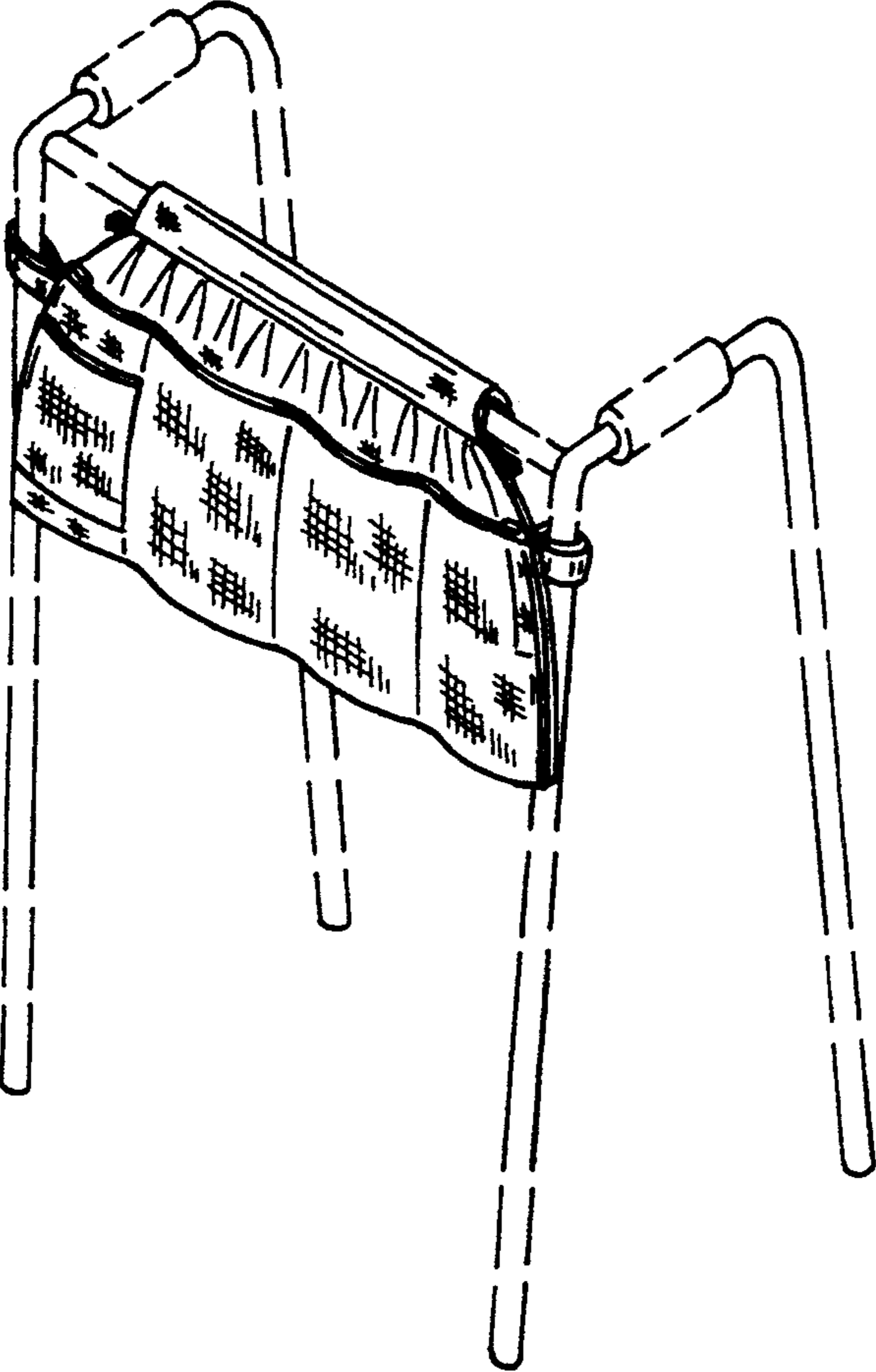


FIG. 4



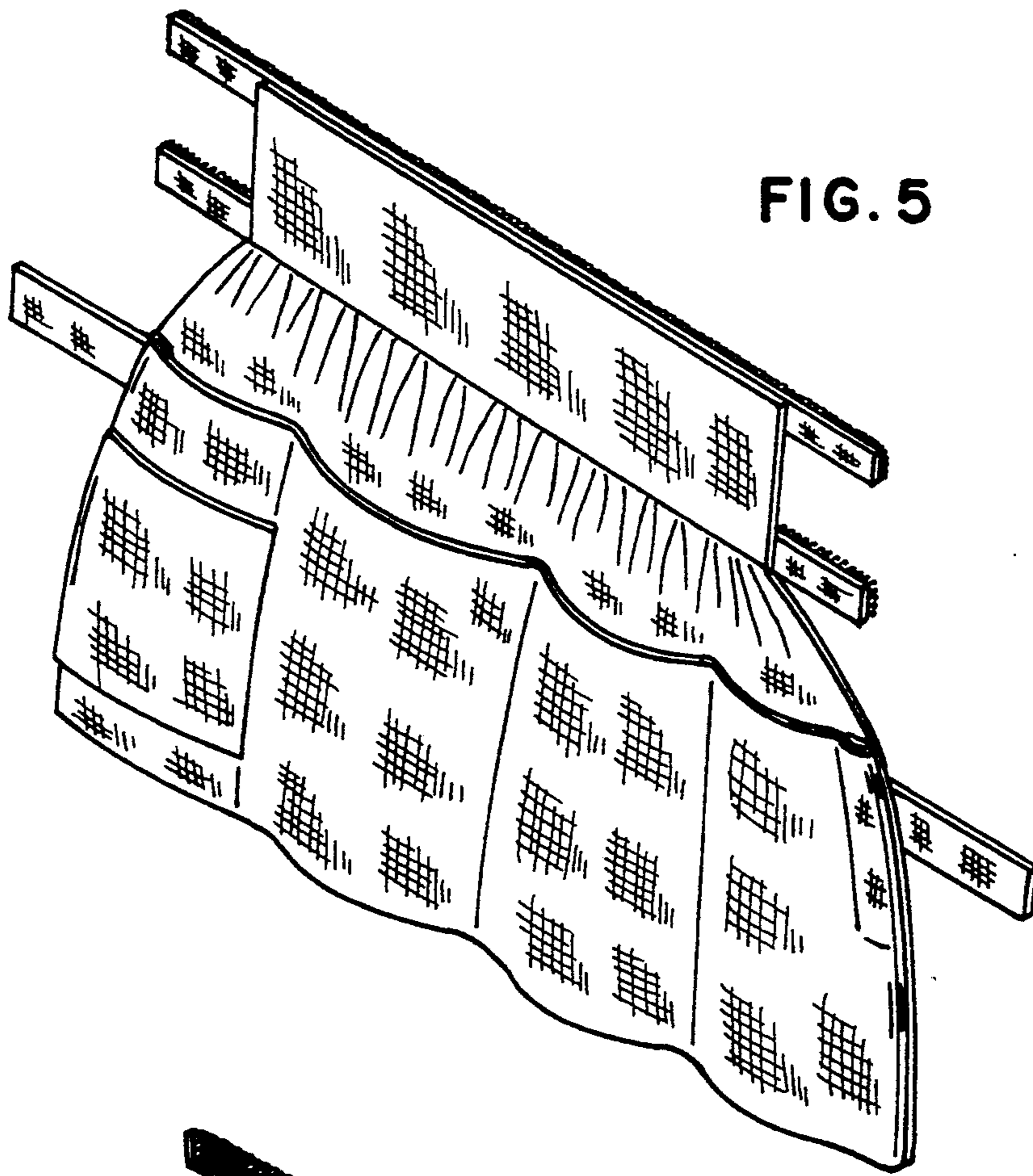


FIG. 5

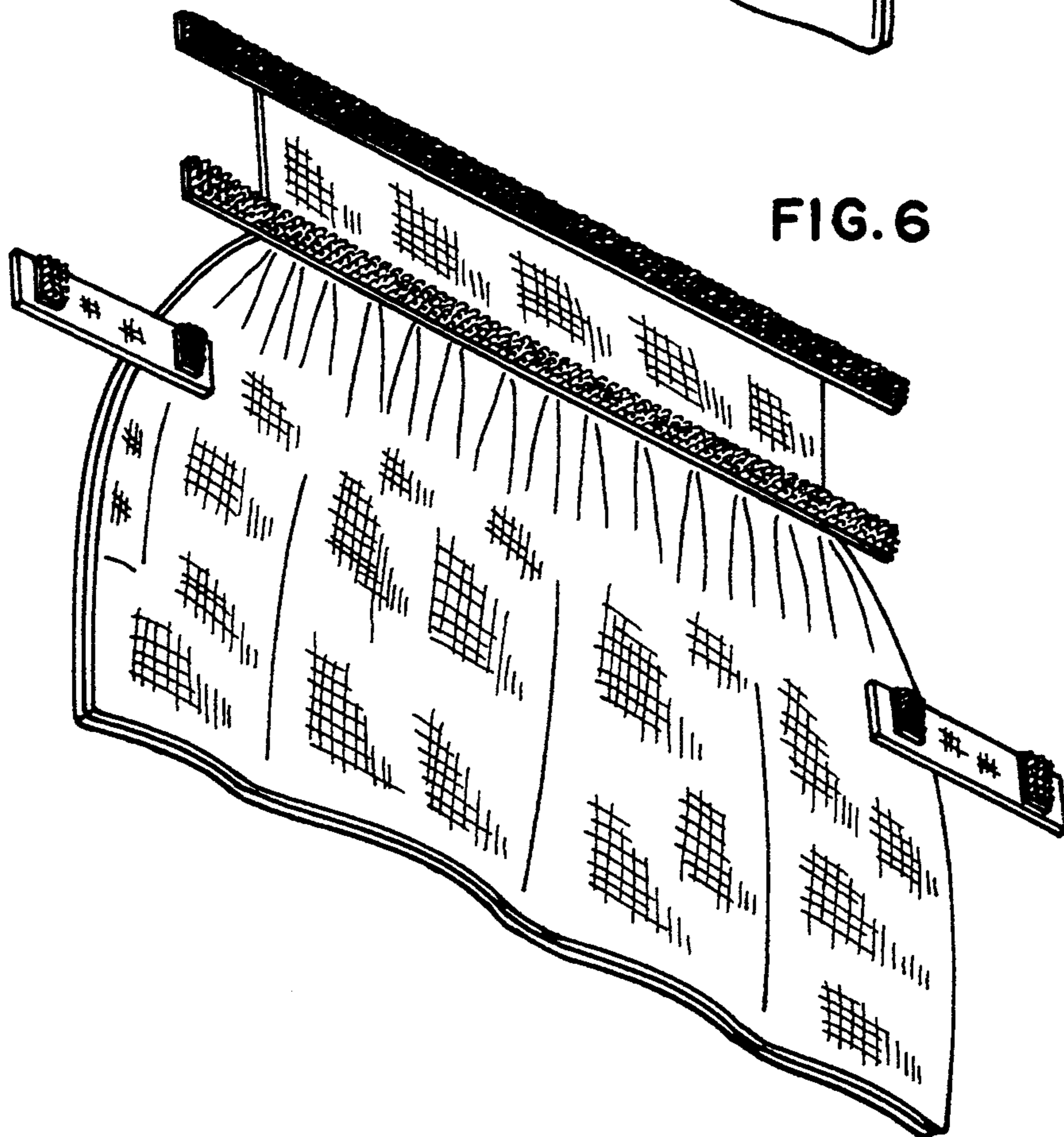


FIG. 6