



US00D352259S

United States Patent [19]
Kaneko

[11] **Patent Number: Des. 352,259**
[45] **Date of Patent: ** Nov. 8, 1994**

[54] **BABY STROLLER**

[75] **Inventor: Tomihiro Kaneko, Tokyo, Japan**
[73] **Assignee: Combi Corporation, Tokyo, Japan**
[**] **Term: 14 Years**
[21] **Appl. No.: 7,109**
[22] **Filed: Apr. 19, 1993**

D. 305,218 12/1989 Nakao et al. D12/129
D. 317,280 6/1991 Takahashi et al. D12/129
D. 334,908 4/1993 Kassai D12/129
D. 335,642 5/1993 Huang D12/129
5,181,735 1/1993 Onishi 280/650

Primary Examiner—Kay H. Chin
Attorney, Agent, or Firm—Sughrue, Mion, Zinn,
Macpeak & Seas

[30] **Foreign Application Priority Data**

Oct. 23, 1992 [JP] Japan 4-31125[U]
[52] **U.S. Cl. D12/129; D12/128**
[58] **Field of Search 280/642, 644, 647, 658,**
280/650, 649; D12/129, 128

[57] **CLAIM**

The ornamental design for a baby stroller, as shown.

DESCRIPTION

FIG. 1 is a front, top and right side perspective view of a baby stroller showing my new design;
FIG. 2 is a left side elevational view thereof;
FIG. 3 is a front elevational view thereof;
FIG. 4 is a rear elevational view thereof;
FIG. 5 is a top plan view thereof; and,
FIG. 6 is a bottom plan view thereof.

[56] **References Cited**

U.S. PATENT DOCUMENTS

D. 254,906 5/1980 Nakao et al. D12/129

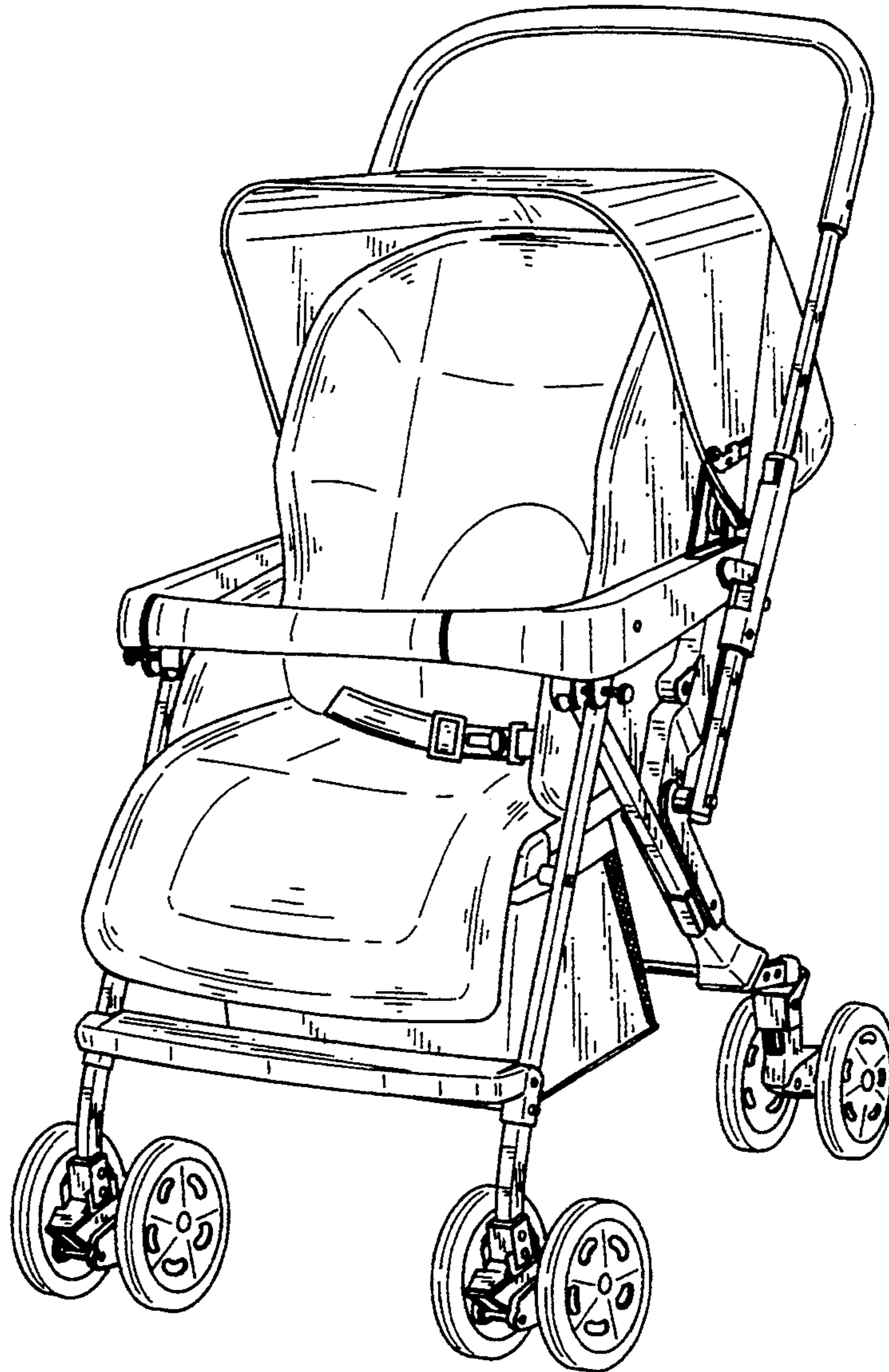


Fig. 1

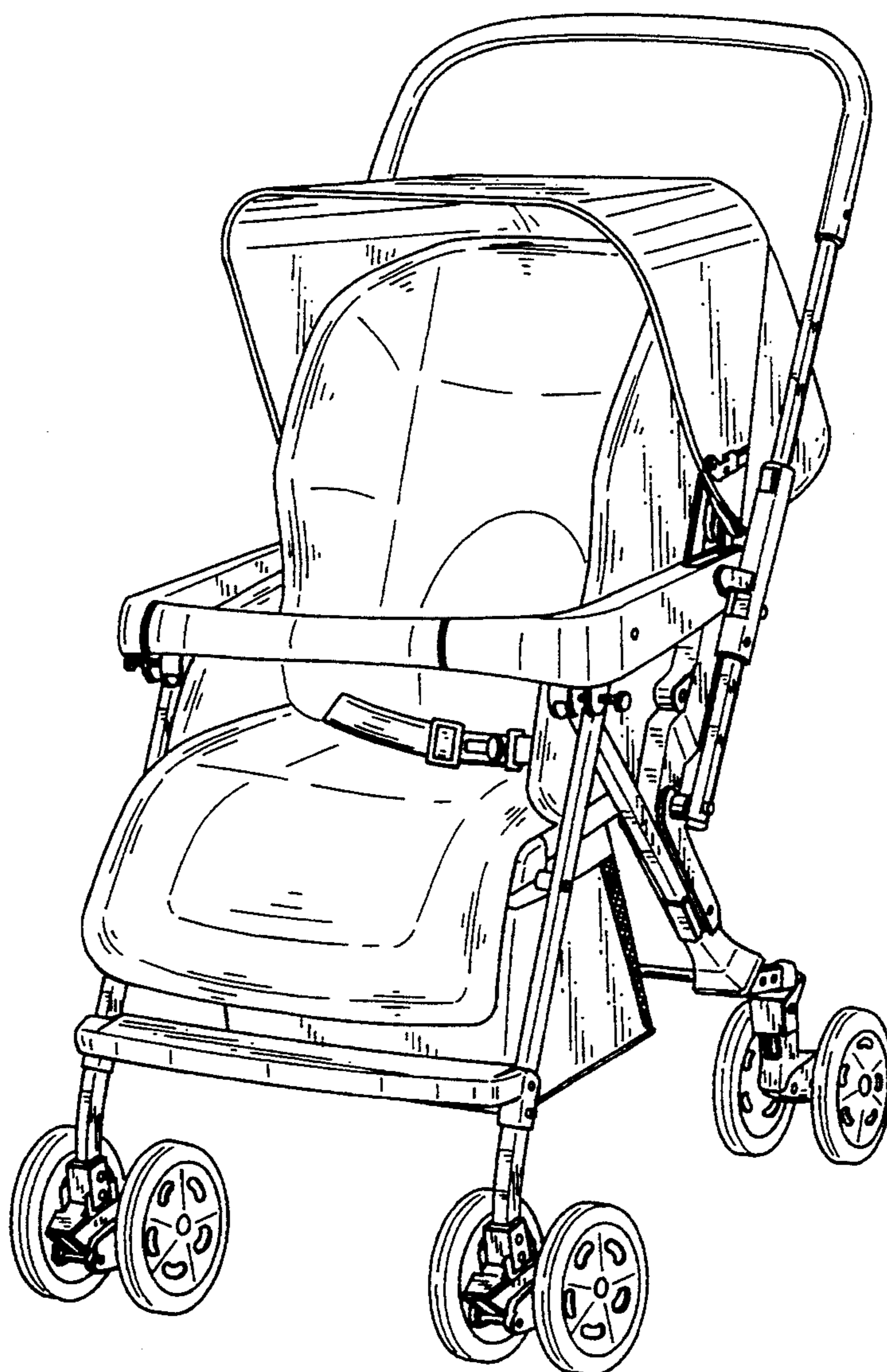


Fig. 2

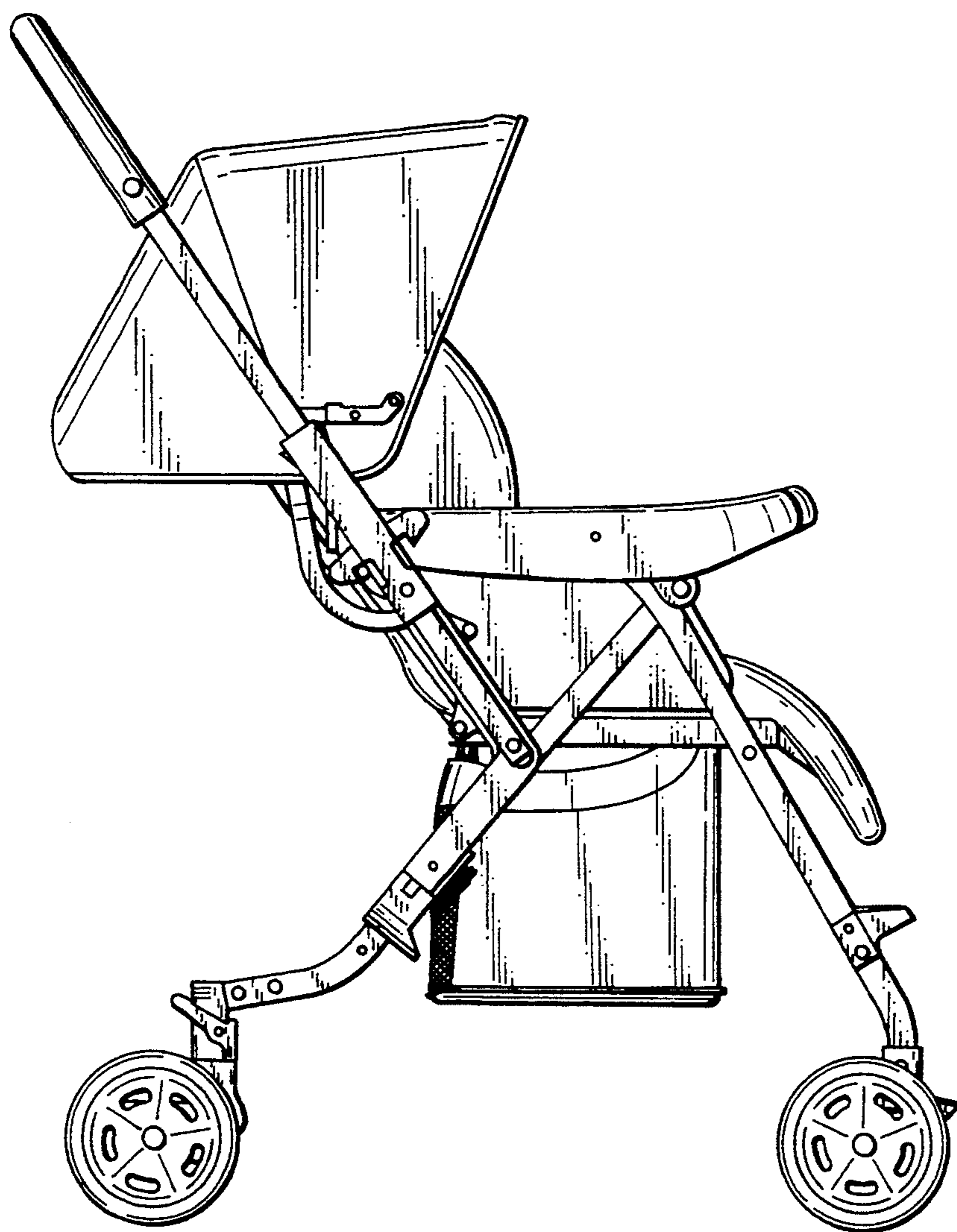


Fig. 3

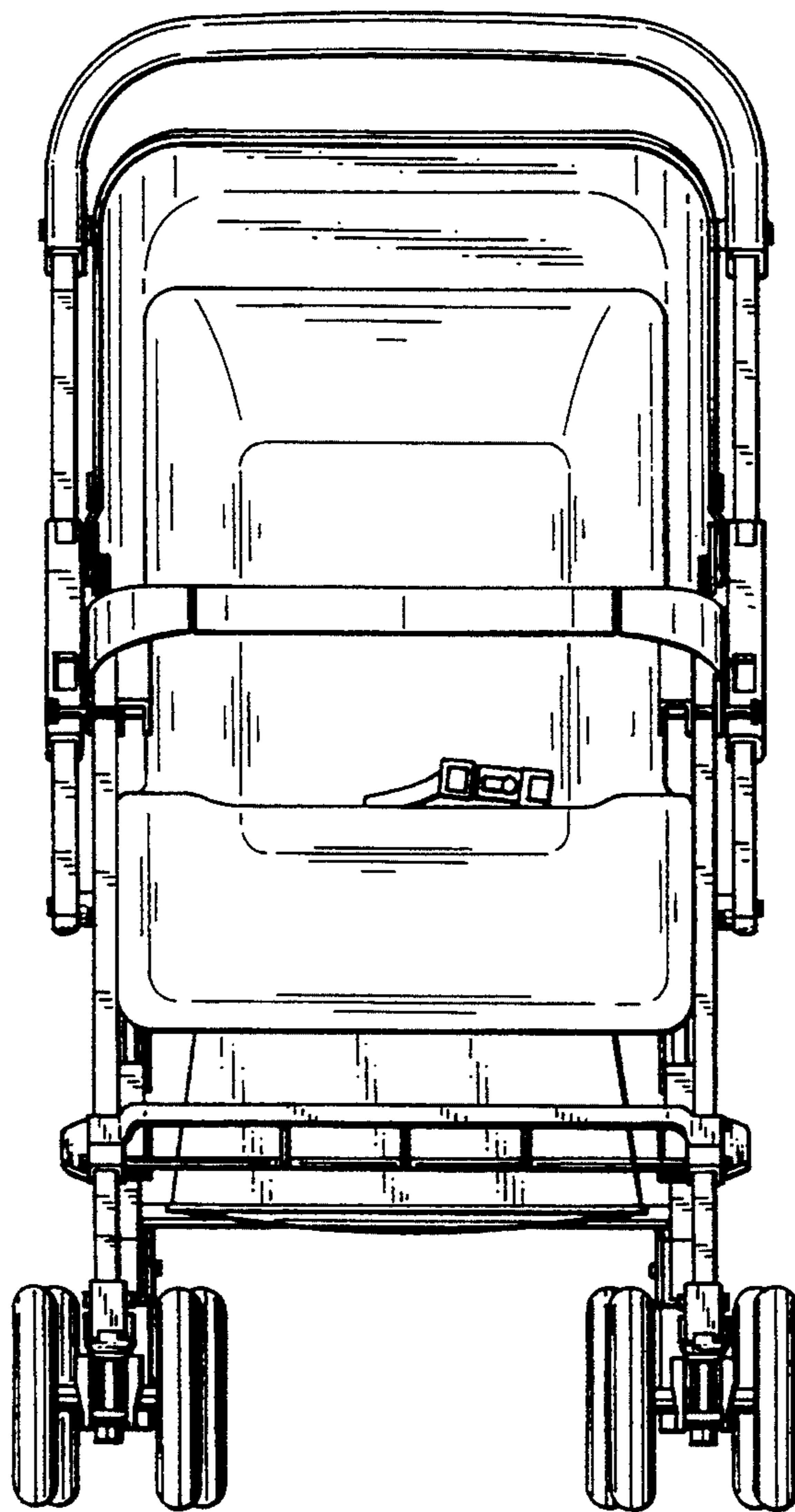


Fig. 4

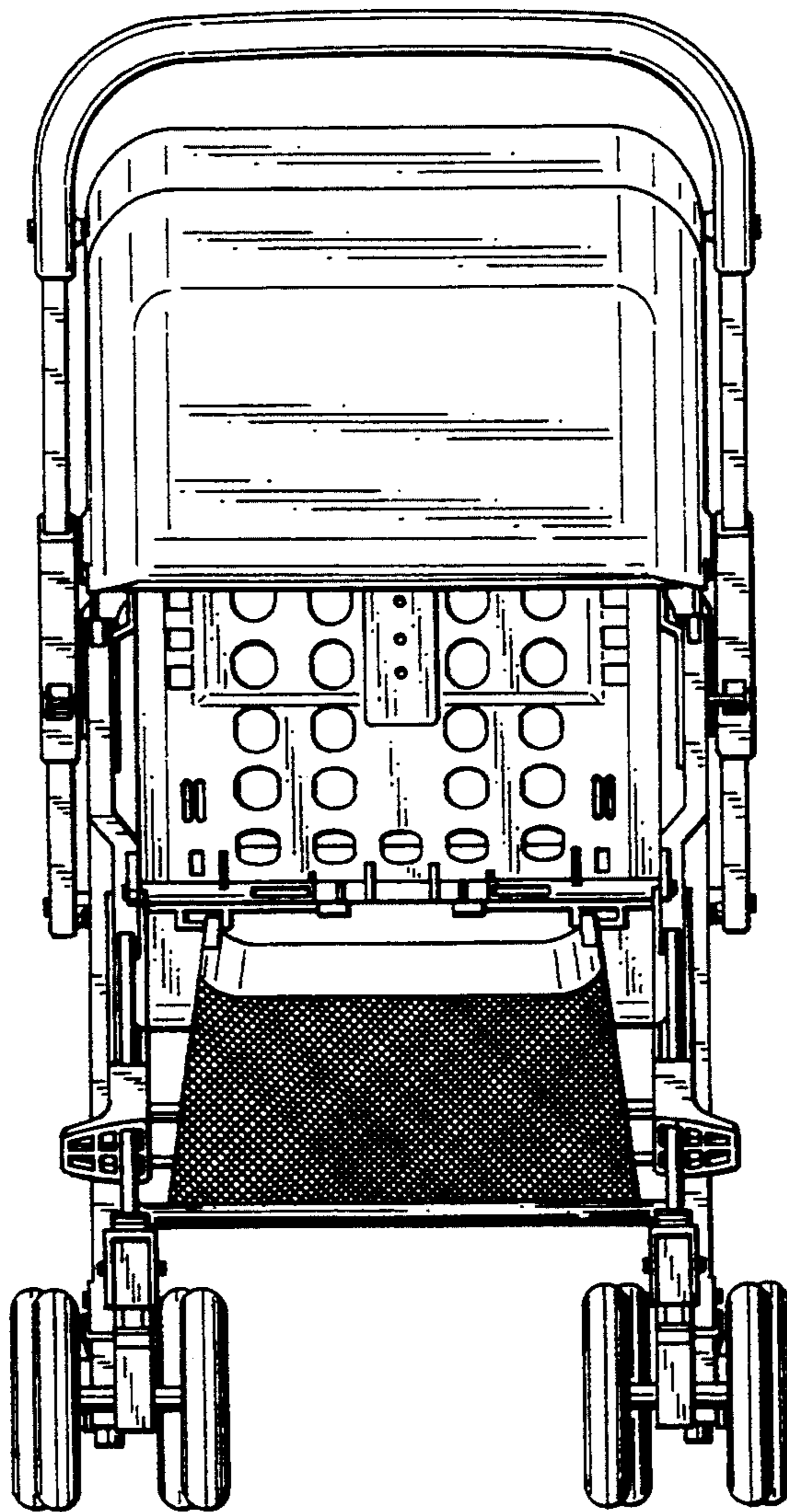


Fig. 5

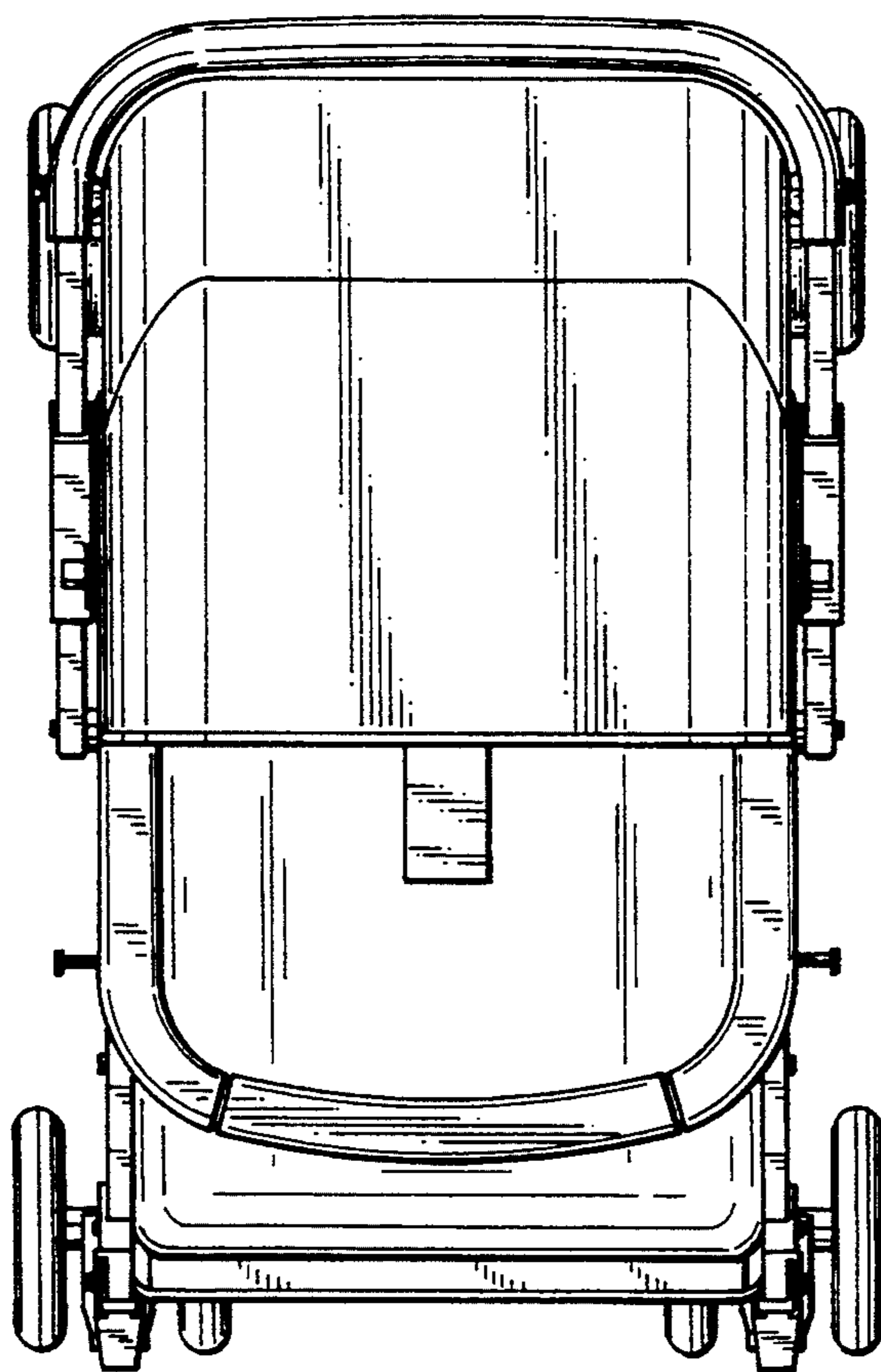


Fig. 6

