



US00D352258S

United States Patent [19]

[11] Patent Number: **Des. 352,258**

Rudd et al.

[45] Date of Patent: **** Nov. 8, 1994**

[54] **OIL SENDER UNIT COVER**

[75] Inventors: **Tom Rudd**, Hudson, Wis.; **Alwin J. Stahel**, St. Paul, Minn.

[73] Assignee: **KuryAkyn Holdings, Inc.**, Somerset, Wis.

[**] Term: **14 Years**

[21] Appl. No.: **9,993**

[22] Filed: **Apr. 16, 1993**

[52] U.S. Cl. **D12/126; D15/5**

[58] Field of Search **280/289; 338/277; D12/126; D13/177; D15/138, 5, 199**

[56] **References Cited**

U.S. PATENT DOCUMENTS

D. 283,210 4/1986 Preisler D12/126

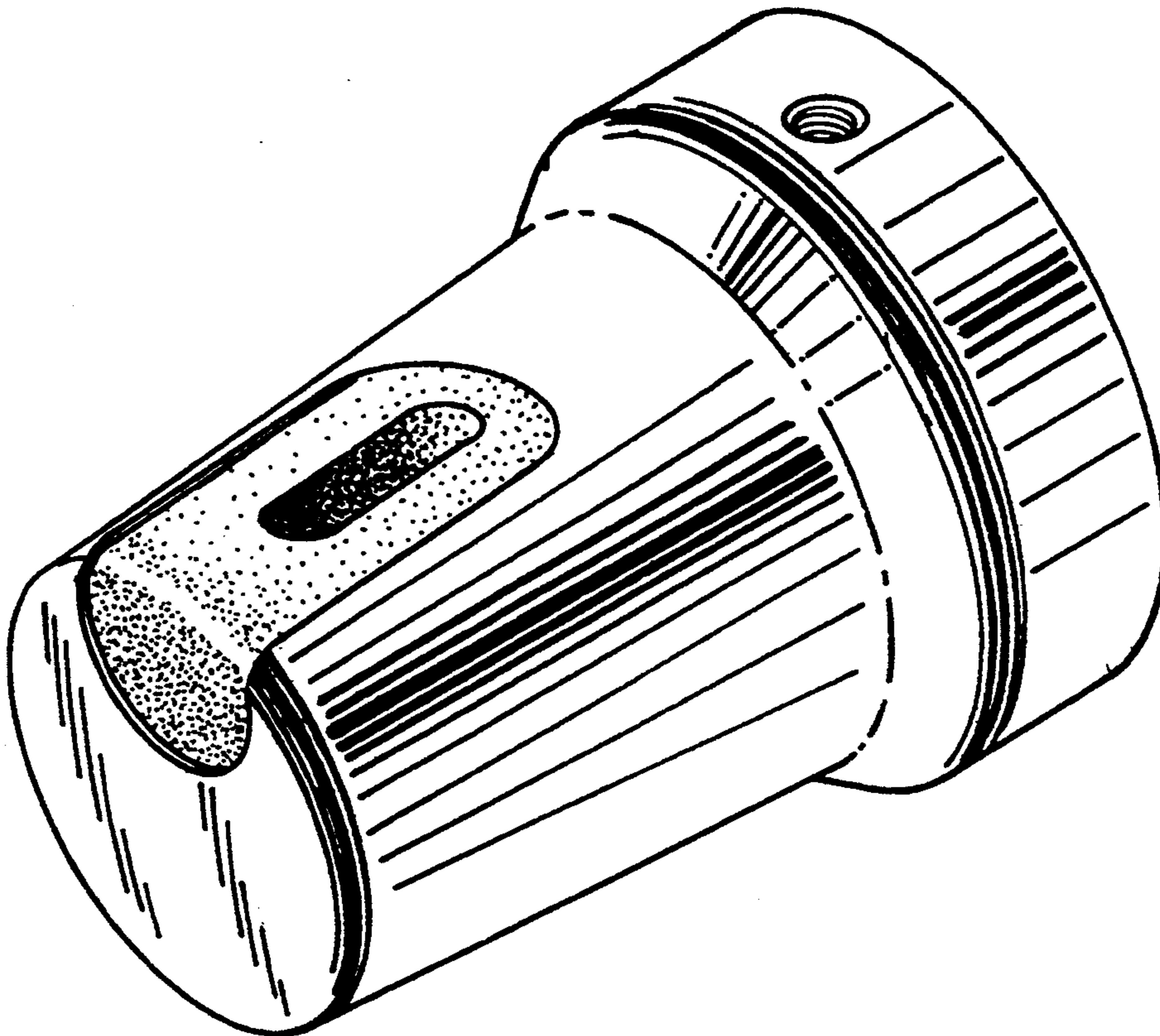
Primary Examiner—Alan P. Douglas
Assistant Examiner—Antoine D. Davis
Attorney, Agent, or Firm—Glen E. Schumann

[57] **CLAIM**

The ornamental design for an oil sender unit cover, as shown and described.

DESCRIPTION

FIG. 1 is a perspective view as seen from the front, top and side of the oil sender unit cover;
FIG. 2 is a top plan view thereof;
FIG. 3 is a back plan view thereof;
FIG. 4 is a side plan view thereof;
FIG. 5 is a side plan view as seen from the side opposite that show in FIG. 4;
FIG. 6 is a front plan view thereof; and,
FIG. 7 is a bottom plan view thereof.



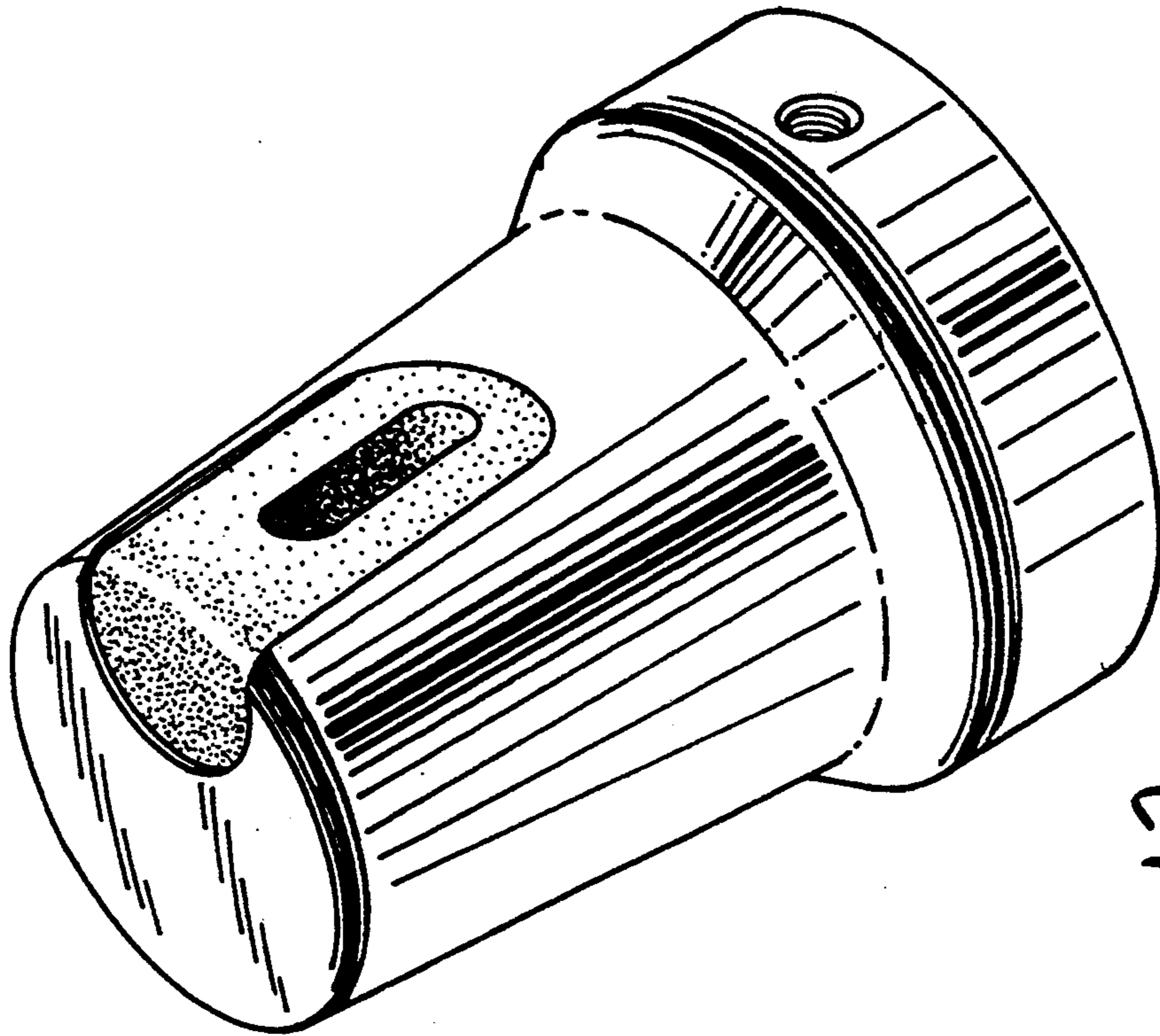


Fig. 1

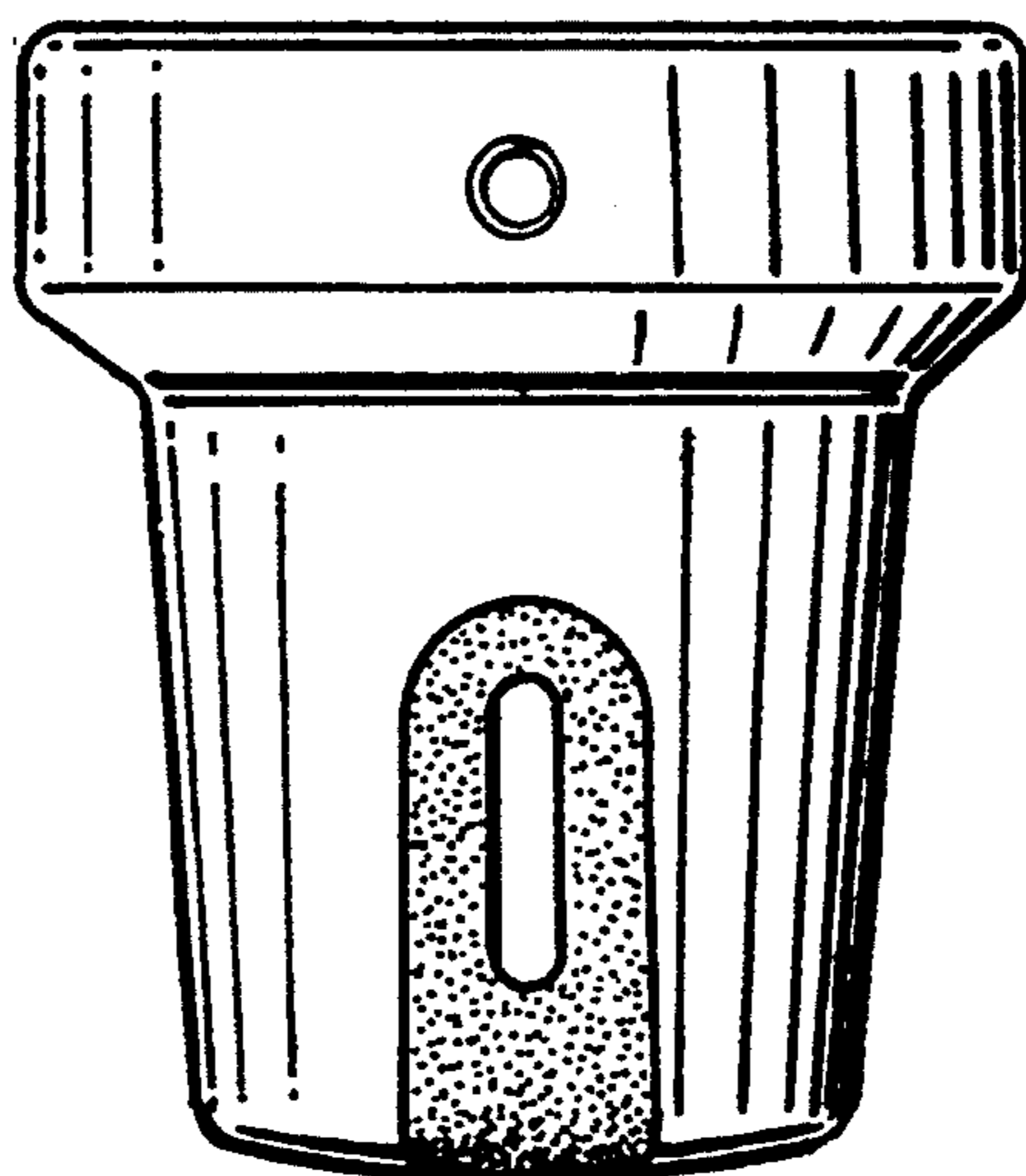


Fig. 2

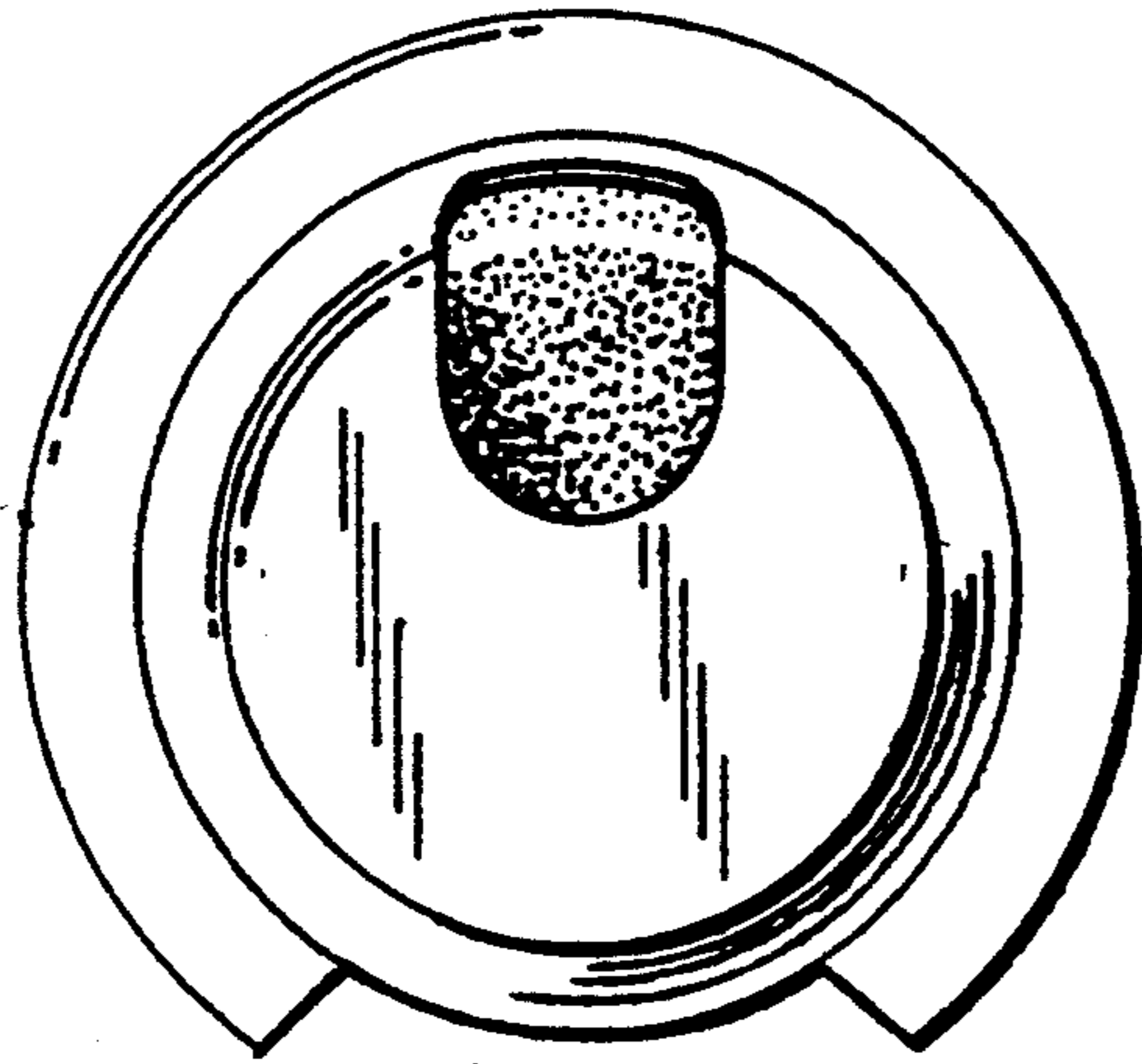


Fig. 3

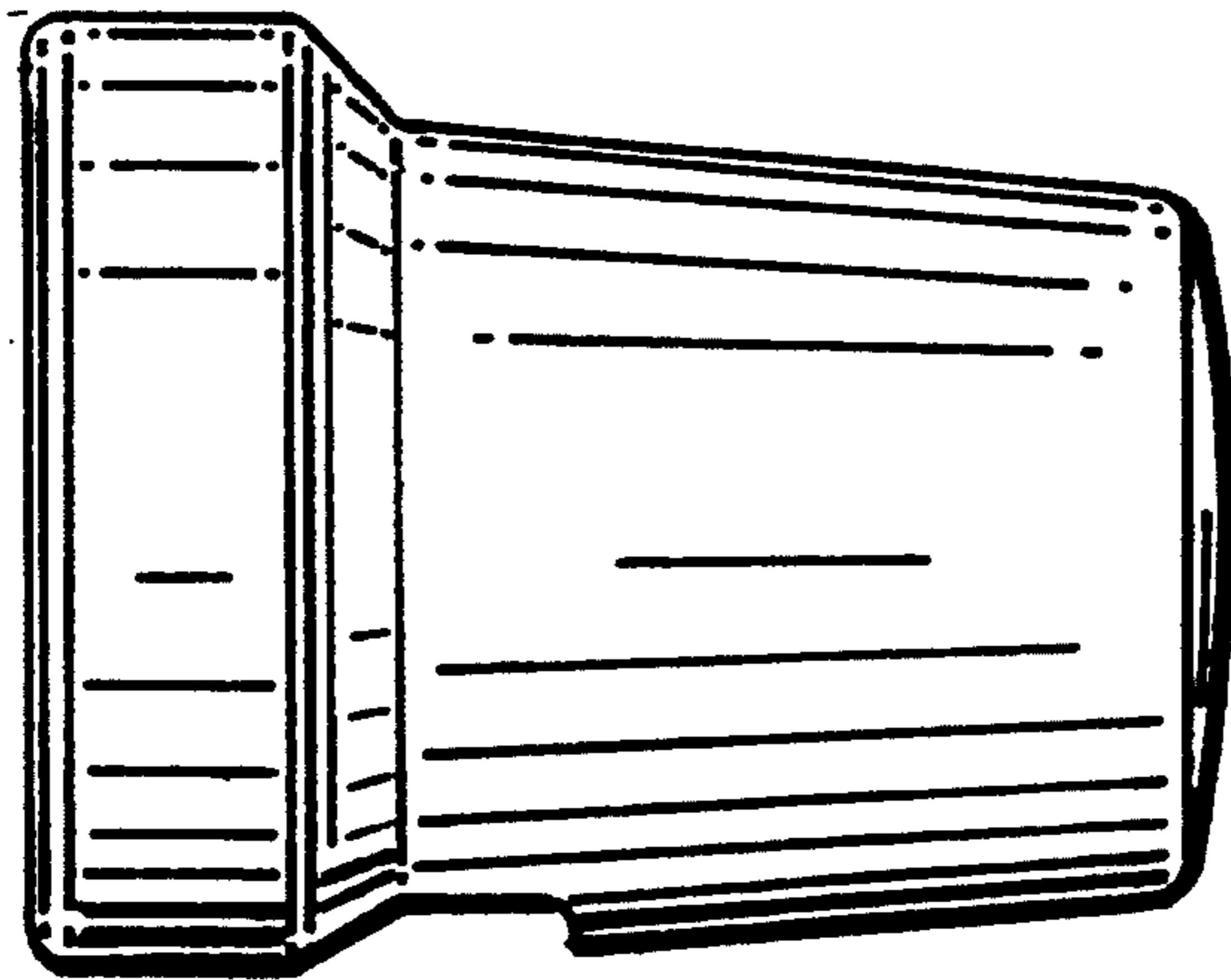


Fig. 4

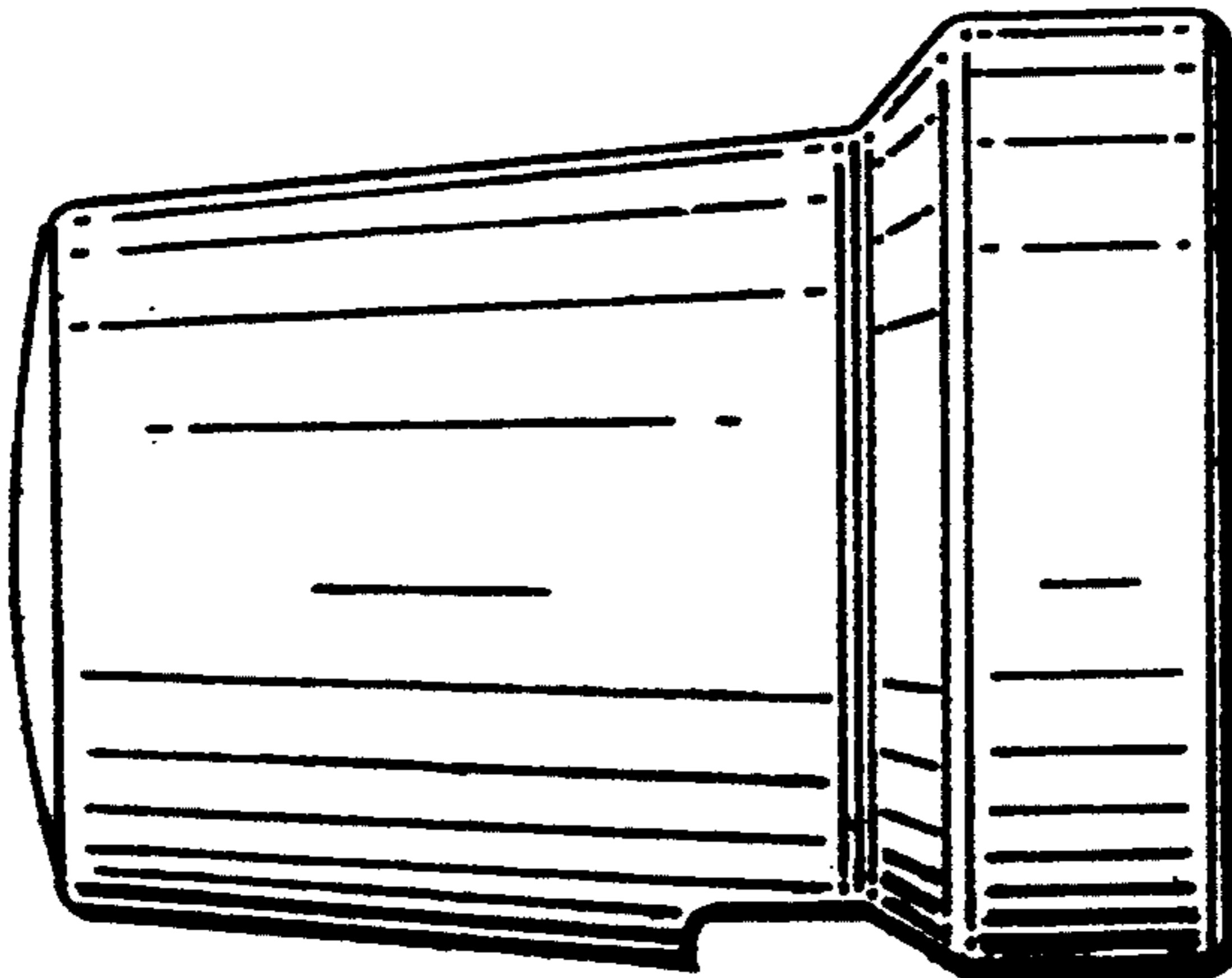


Fig. 5

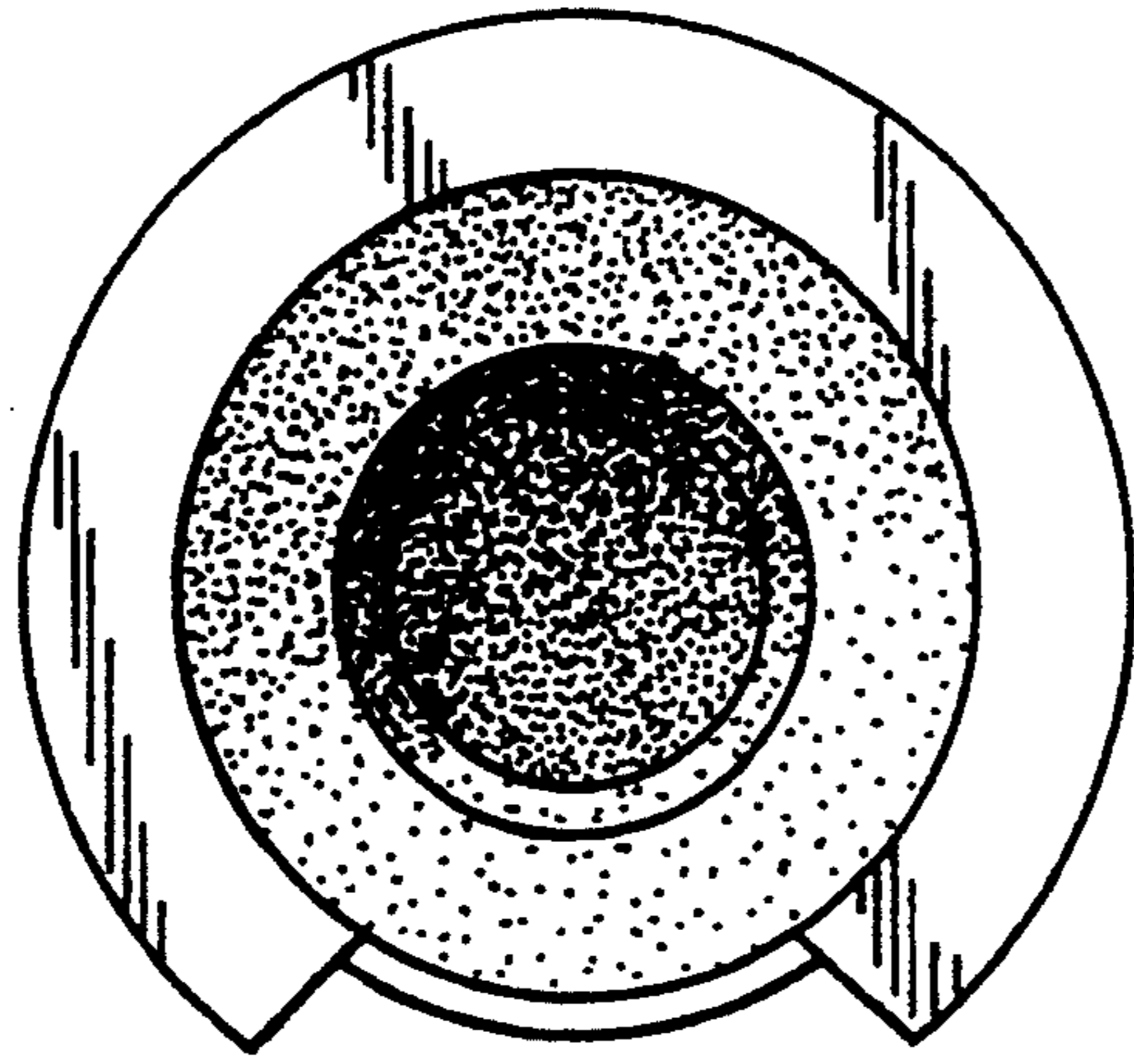


Fig. 6

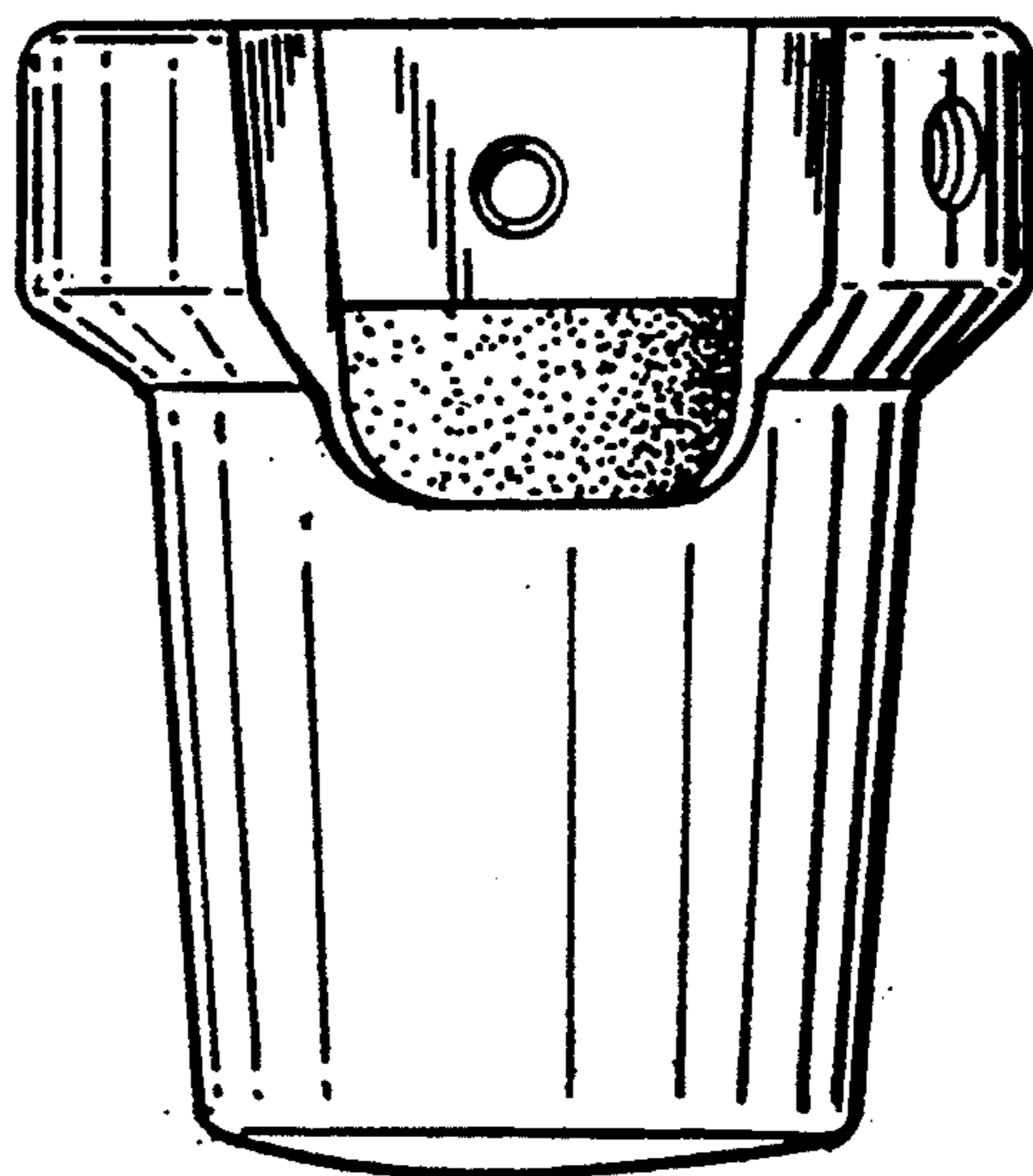


Fig. 7