



US00D352255S

United States Patent [19]

[11] Patent Number: **Des. 352,255**

Prosser

[45] Date of Patent: **** Nov. 8, 1994**

[54] **BUCKLE**

[75] Inventor: **Darren M. Prosser**, Portsmouth, England

[73] Assignee: **ITW Limited**, Windsor, England

[**] Term: **14 Years**

[21] Appl. No.: **8,565**

[22] Filed: **May 20, 1993**

[30] **Foreign Application Priority Data**

Dec. 23, 1992 [GB] United Kingdom 2027939

[52] U.S. Cl. **D11/218; D11/200**

[58] Field of Search 24/307, 171, 200, 198, 24/163 R, 169, 196; D11/200-201, 215-219

[56] **References Cited**

U.S. PATENT DOCUMENTS

- D. 287,067 12/1986 Kasai D11/218
- D. 290,349 6/1987 Kasai D11/218
- 1,679,306 7/1928 Hirsh 24/169

FOREIGN PATENT DOCUMENTS

117392 7/1918 France 24/169

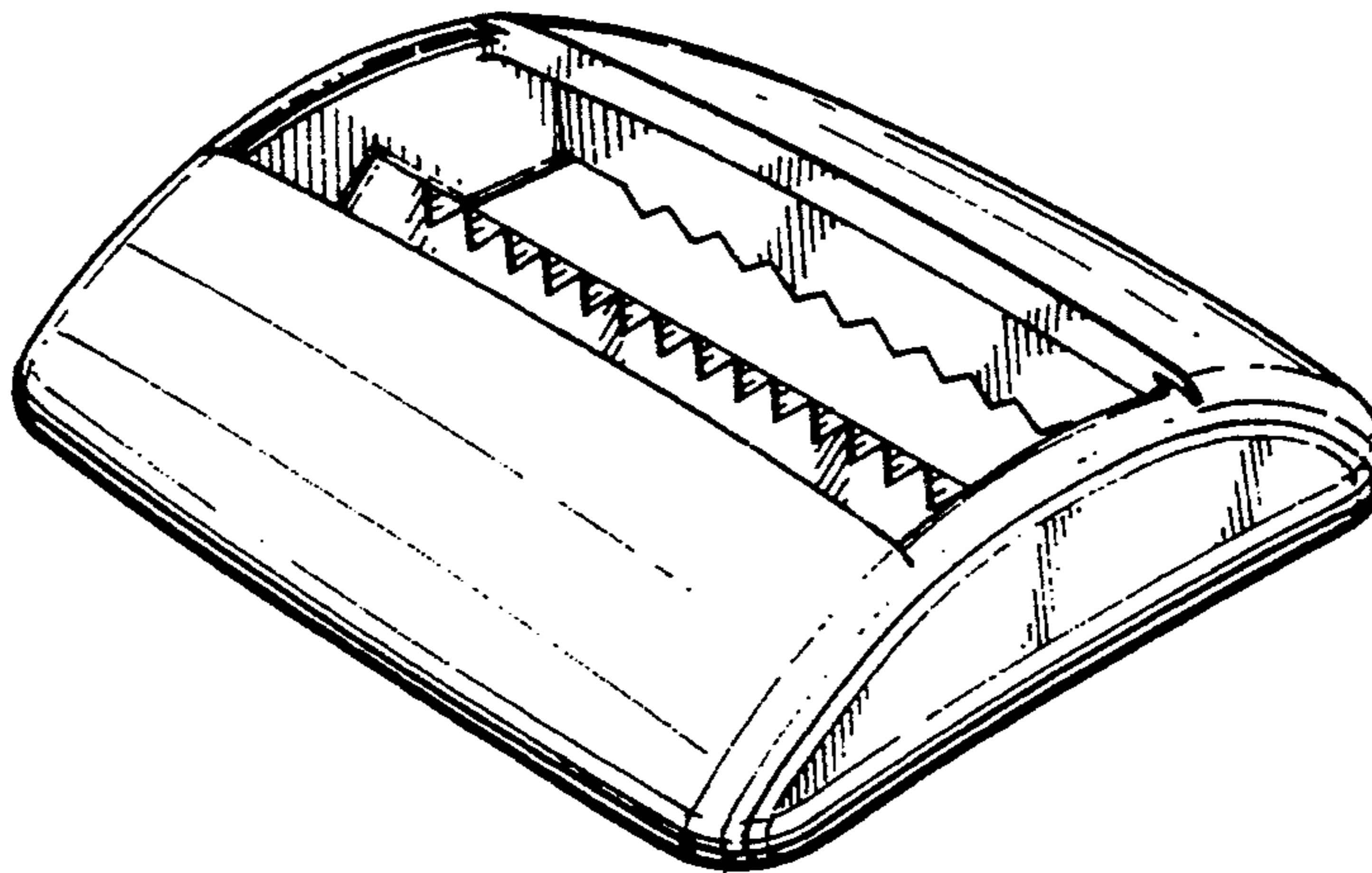
Primary Examiner—Ralf T. Seifert
Attorney, Agent, or Firm—Schwartz & Weinrieb

[57] **CLAIM**

The ornamental design for a buckle, as shown and described.

DESCRIPTION

FIG. 1 is a perspective view from the top, front and right-hand side of a buckle showing my new design; FIG. 2 is a rear elevational view thereof, the front elevational view being the same; FIG. 3 is a side elevational view taken from the left-hand side thereof, the side elevational view taken from the right-hand side being the same; FIG. 4 is an underneath plan view thereof; FIG. 5 is a cross-sectional view thereof, taken along line 5—5 of FIG. 4; and, FIG. 6 is a cross-sectional view thereof, taken along line 6—6 of FIG. 4.



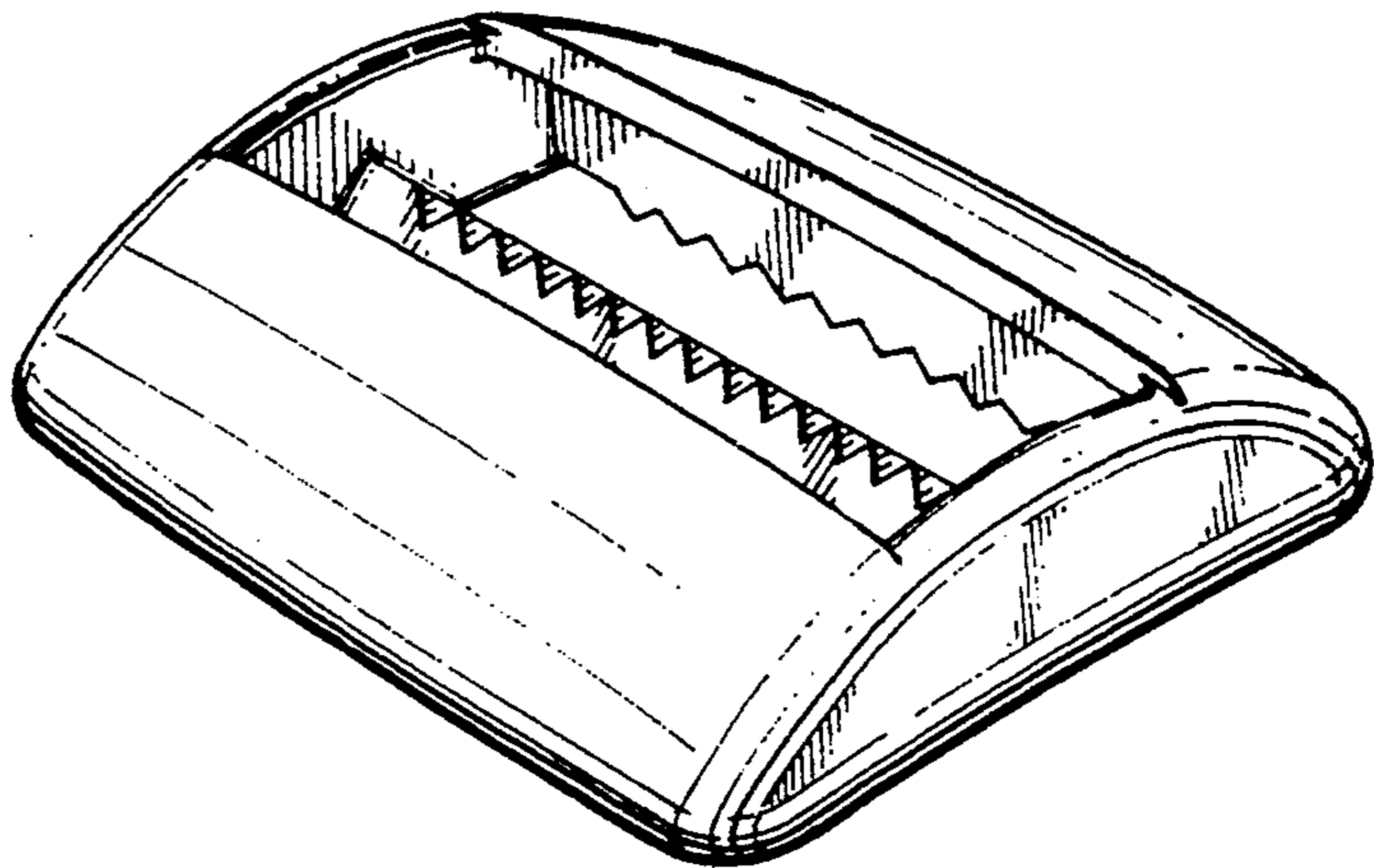


Fig. 1.

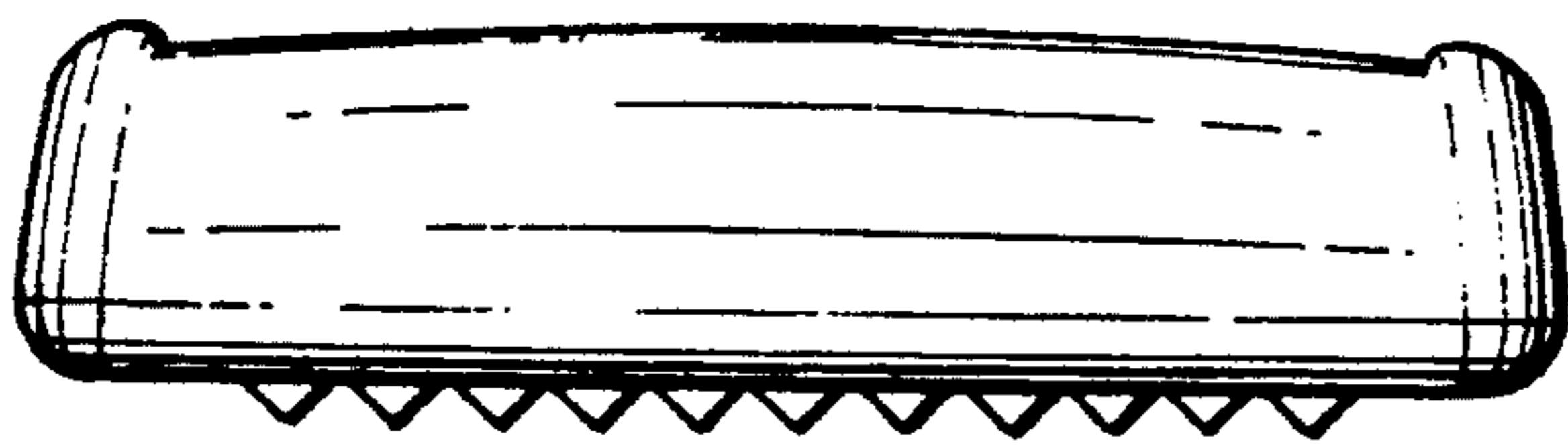


Fig. 2.

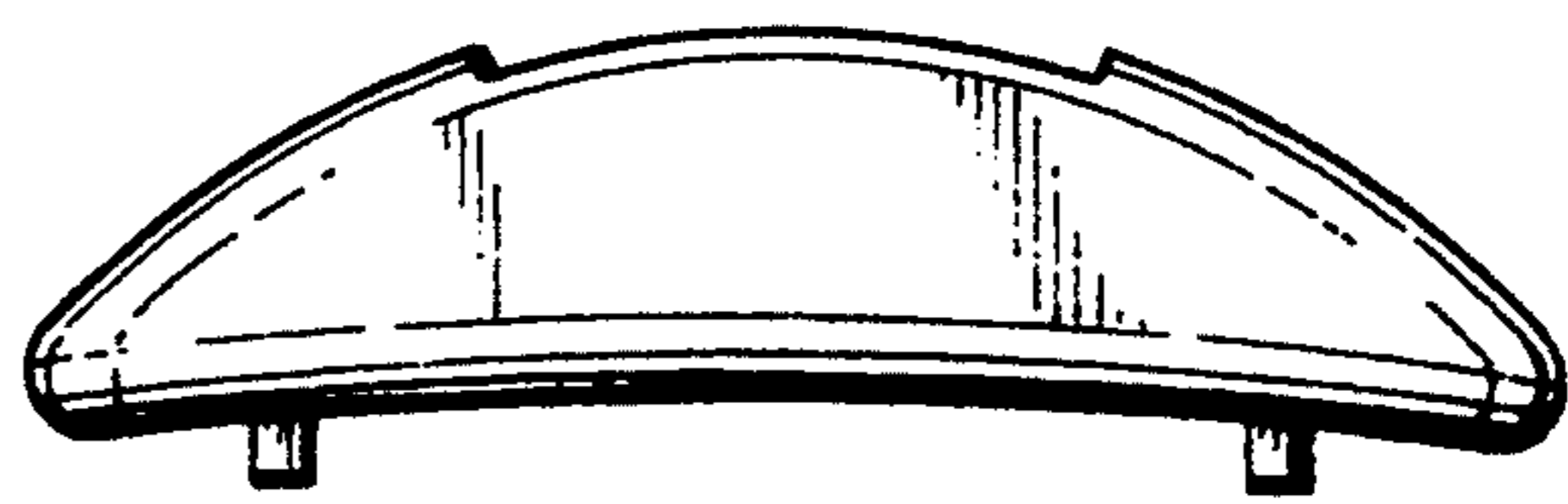


Fig. 3.

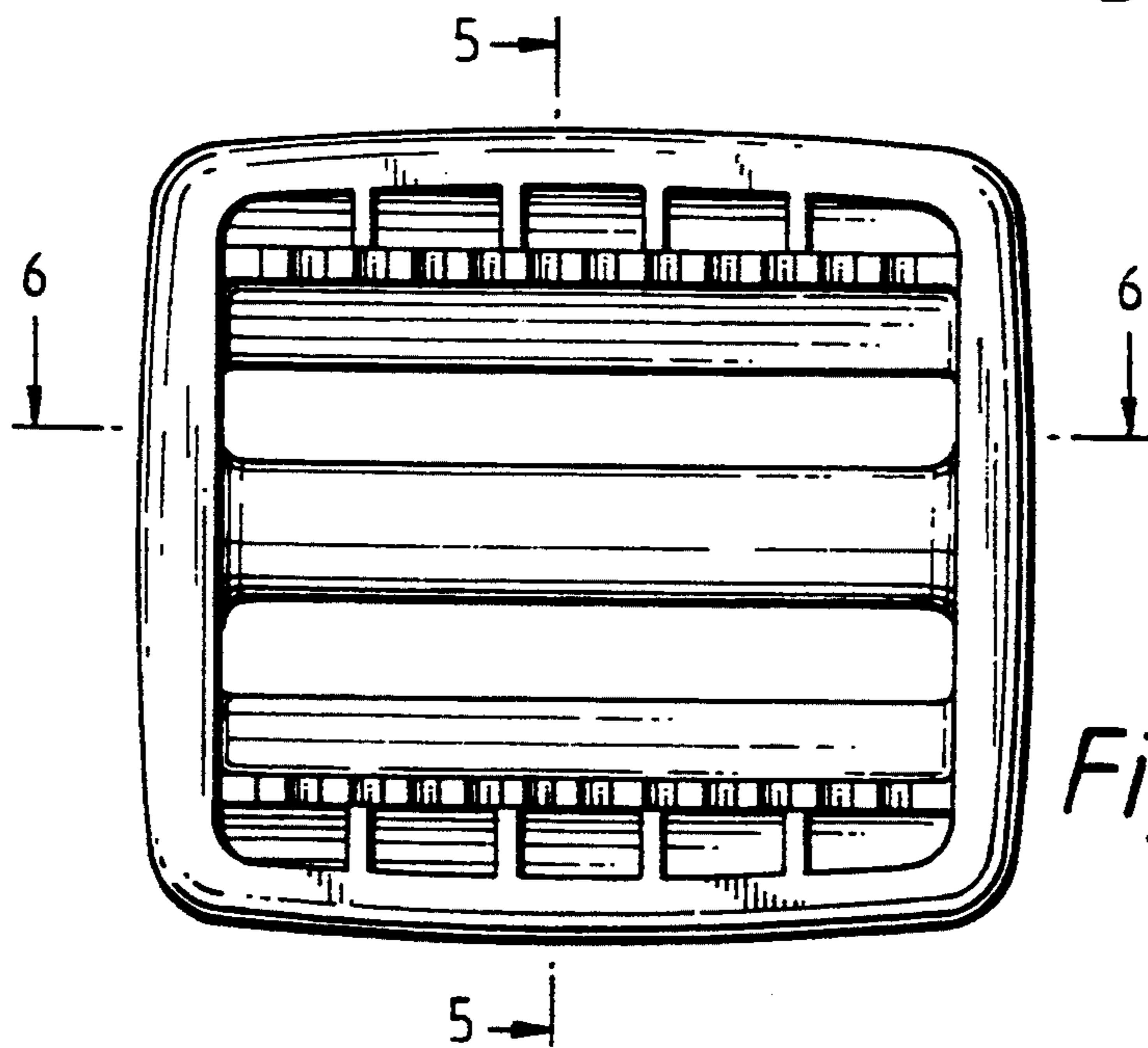


Fig. 4.

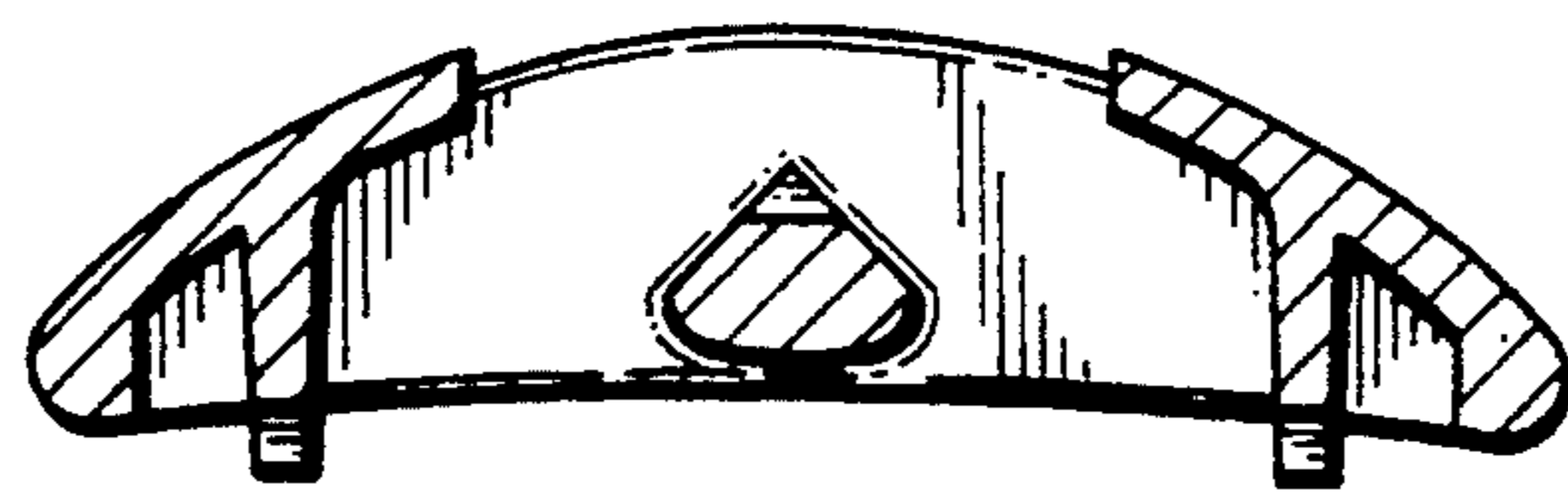


Fig. 5.

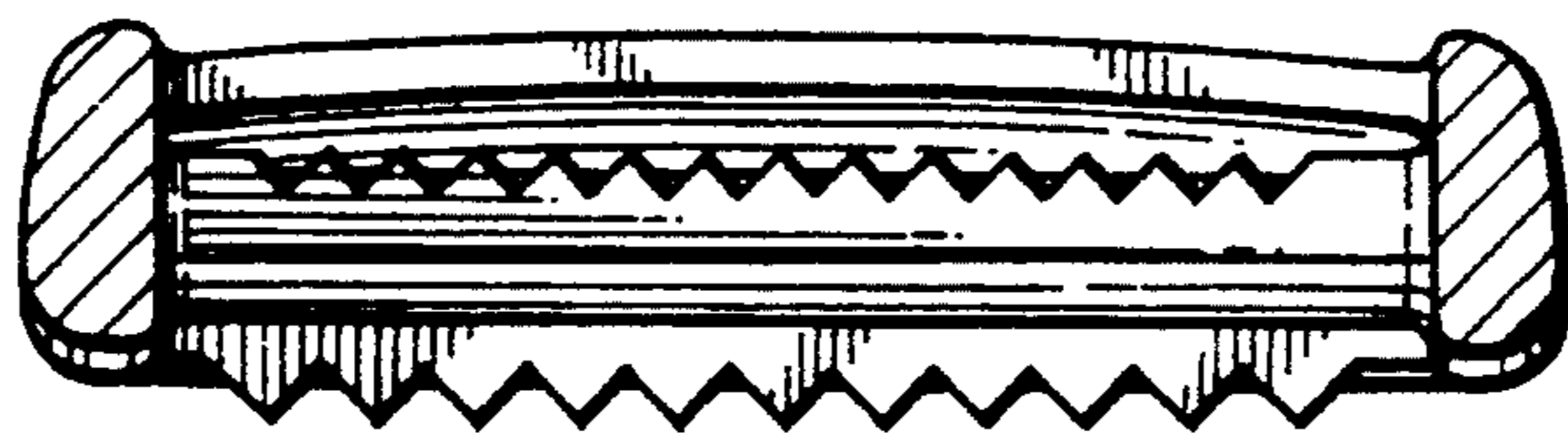


Fig. 6.