



US00D352254S

# United States Patent [19]

[11] Patent Number: **Des. 352,254**

Prosser

[45] Date of Patent: **\*\* Nov. 8, 1994**

[54] **BUCKLE**

[75] Inventor: **Darren M. Prosser**, Portsmouth, England

[73] Assignee: **ITW Limited**, Windsor, England

[\*\*] Term: **14 Years**

[21] Appl. No.: **8,566**

[22] Filed: **May 20, 1993**

[30] **Foreign Application Priority Data**

Dec. 23, 1992 [GB] United Kingdom ..... 2027940

[52] U.S. Cl. .... **D11/218; D11/200**

[58] Field of Search ..... 24/305, 307, 625, 200, 24/169, 196, 171; D11/200, 201, 215-220

[56] **References Cited**

**U.S. PATENT DOCUMENTS**

D. 308,186 5/1990 Udelhofen et al. .... D11/218

D. 328,044 7/1992 Morai ..... D11/200

D. 340,008 10/1993 Anscher ..... D11/218  
4,171,555 10/1979 Bakker et al. .... 24/200  
4,677,711 7/1987 Anscher ..... 24/196  
4,791,709 12/1988 Fildan ..... 24/196

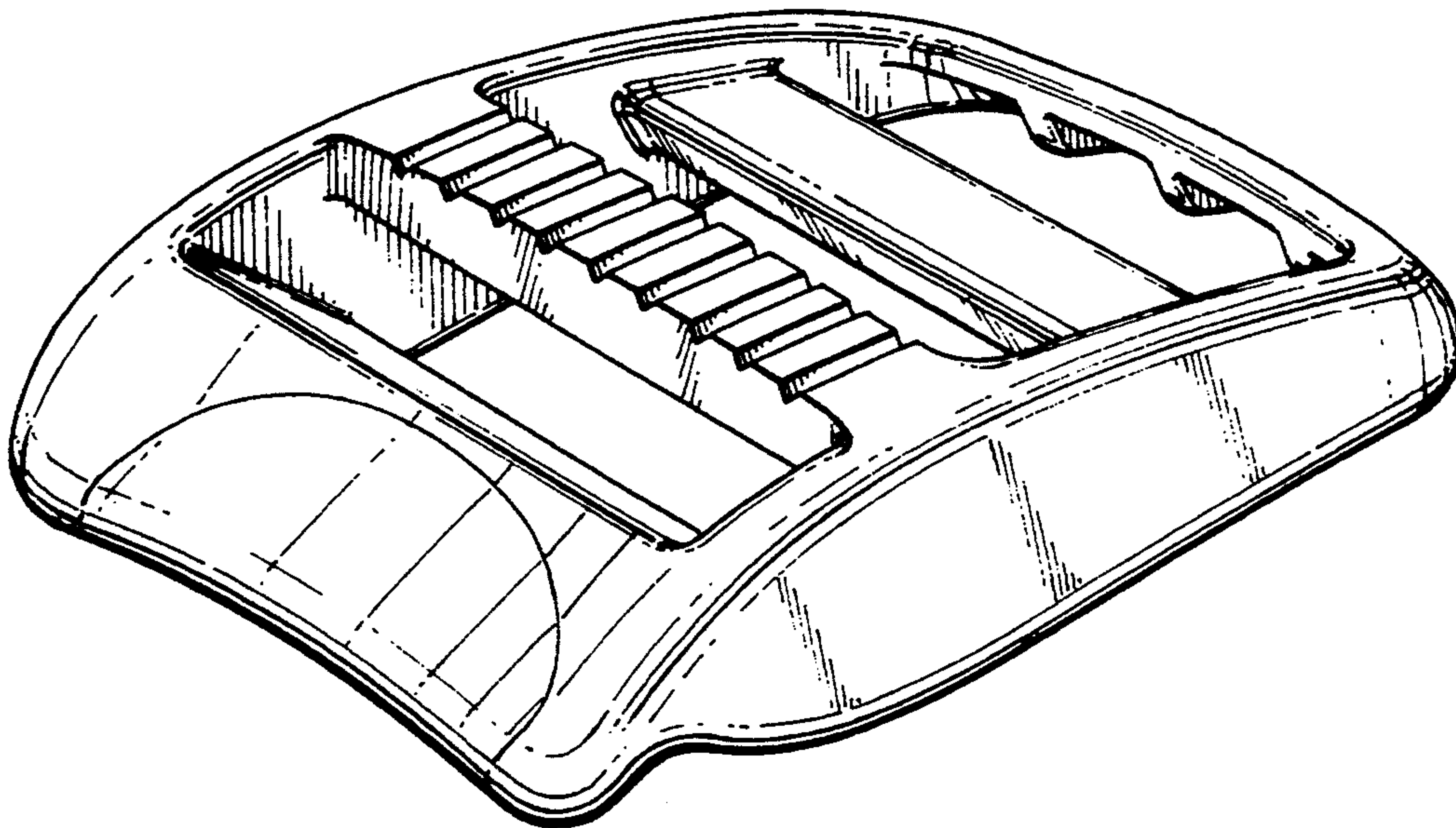
*Primary Examiner*—Ralf T. Seifert  
*Attorney, Agent, or Firm*—Schwartz & Weinrieb

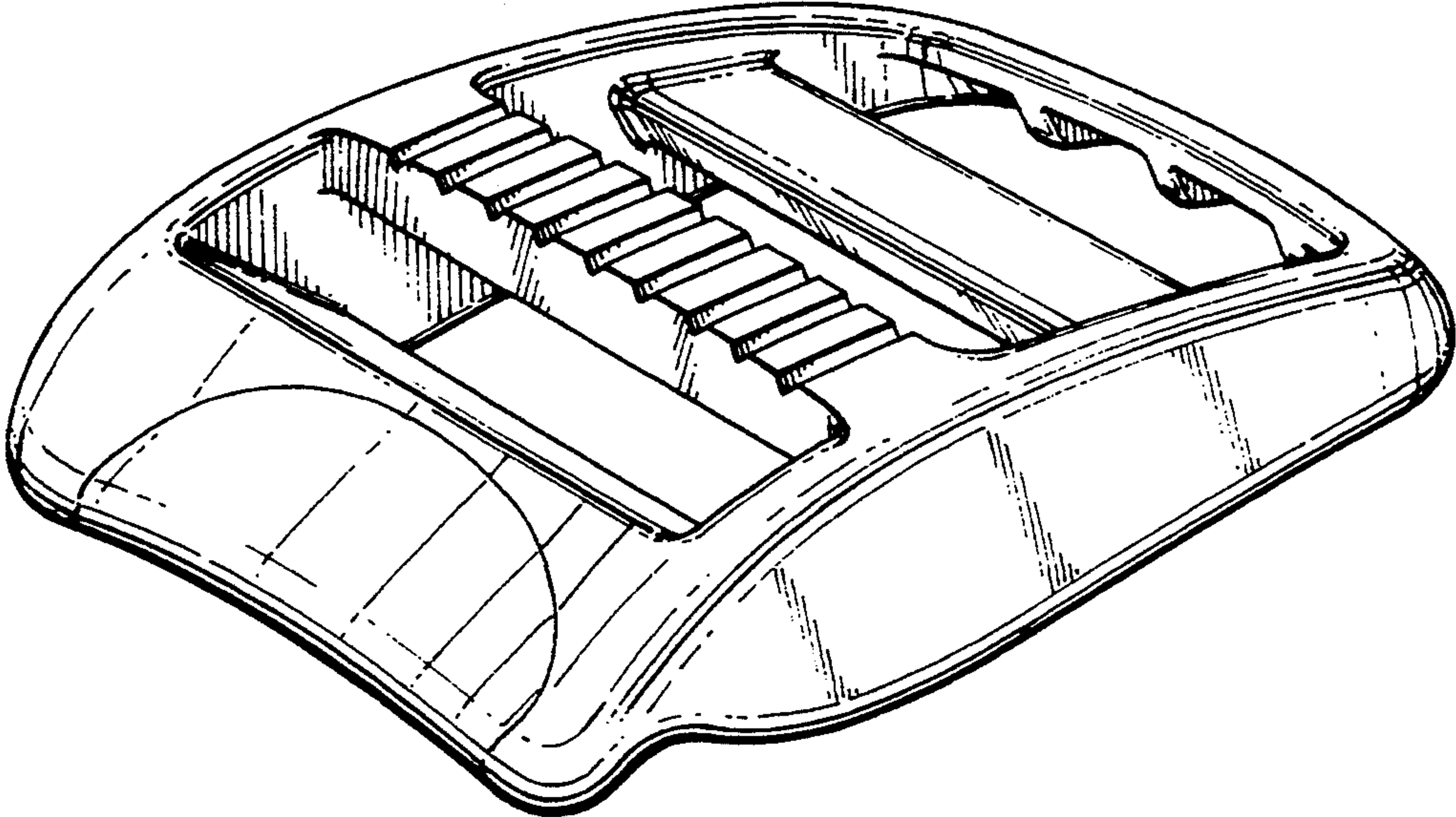
[57] **CLAIM**

The ornamental design for a buckle, as shown and described.

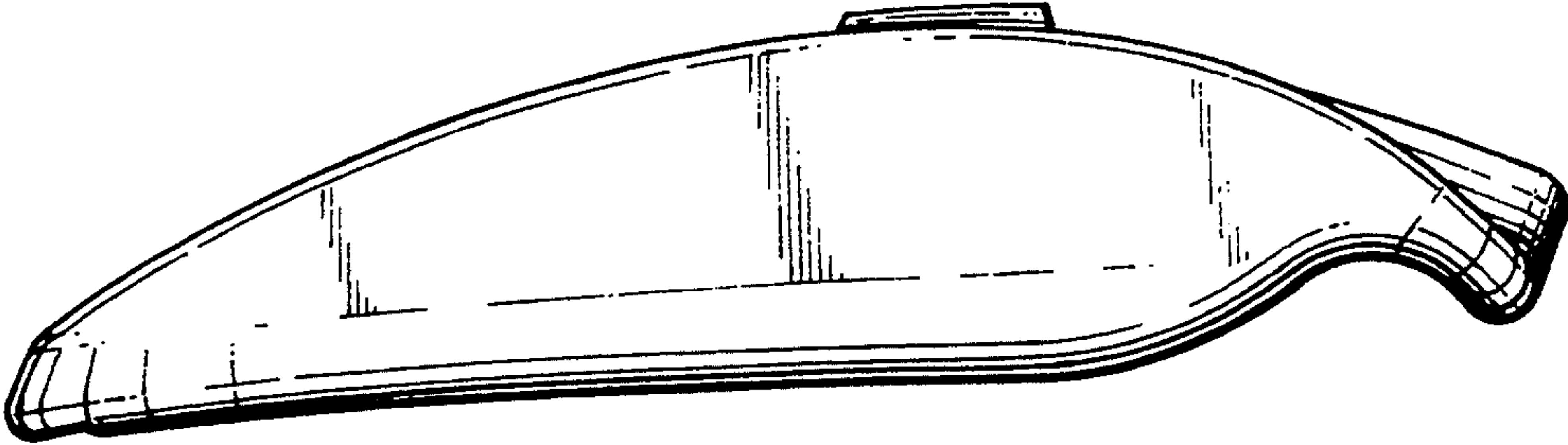
**DESCRIPTION**

FIG. 1 is a perspective view from the top, front and right-hand side of a buckle showing my new design; FIG. 2 is a side elevational view taken from the left-hand side thereof, the side elevational view taken from the right-hand side being the same; FIG. 3 is an underneath plan view thereof; FIG. 4 is a front elevational view thereof; FIG. 5 is a rear elevational view thereof; and, FIG. 6 is a cross-sectional view thereof, taken along line 6-6 of FIG. 3.

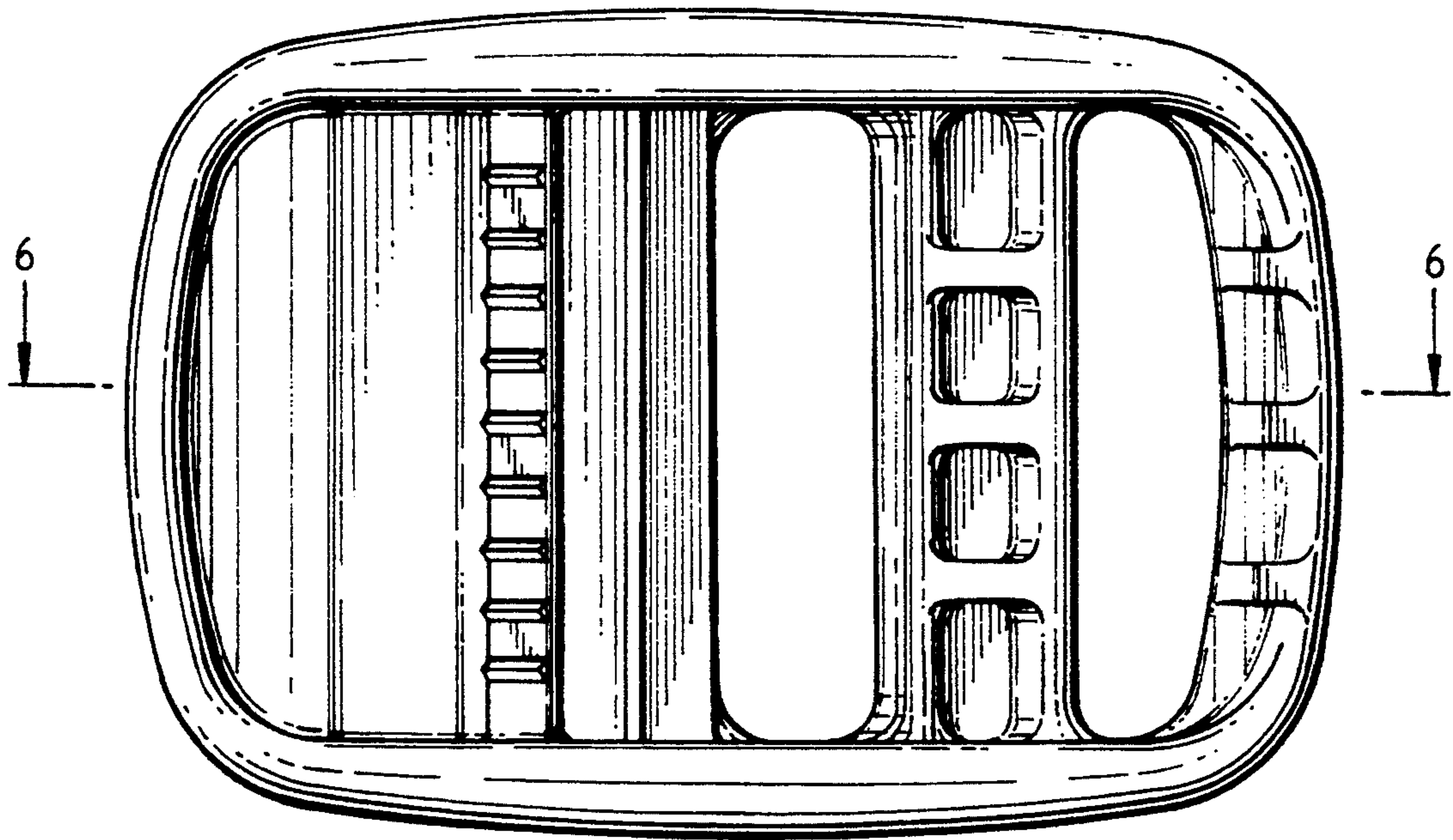




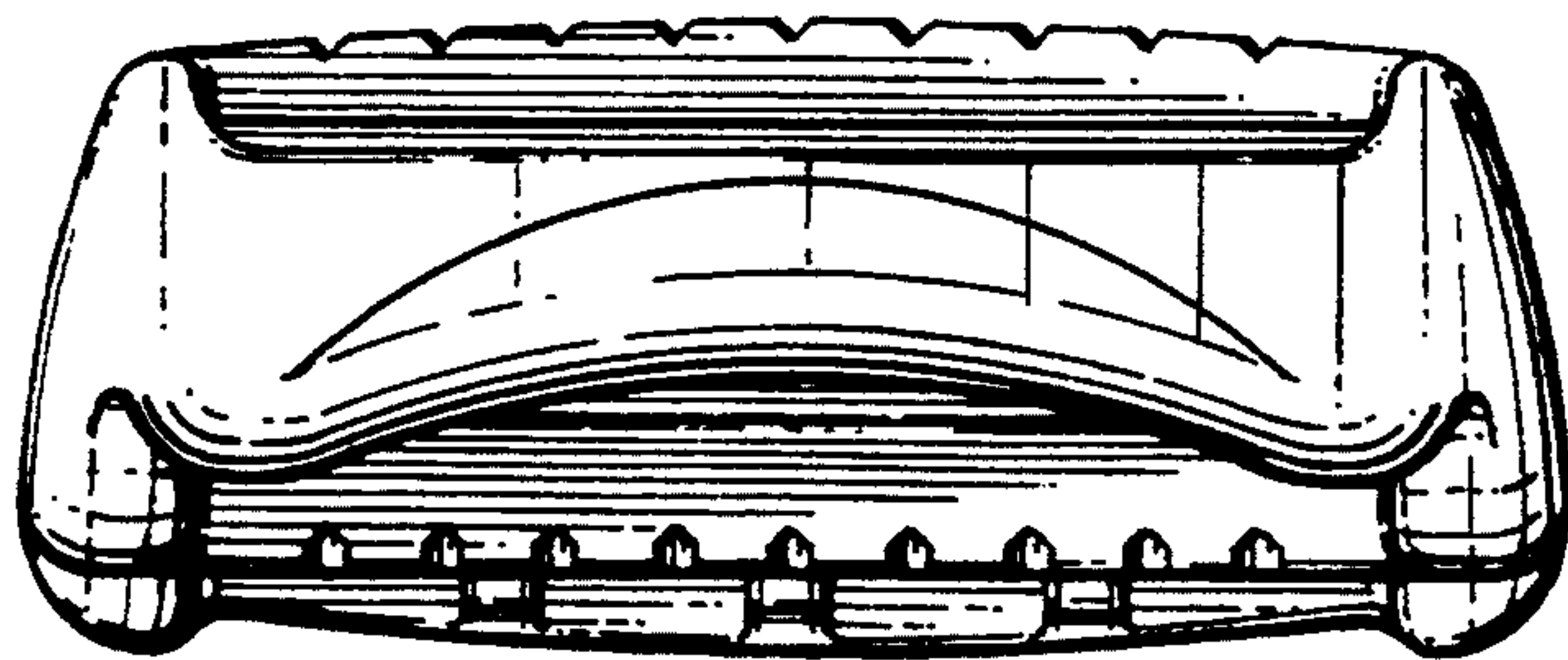
*Fig. 1.*



*Fig. 2.*

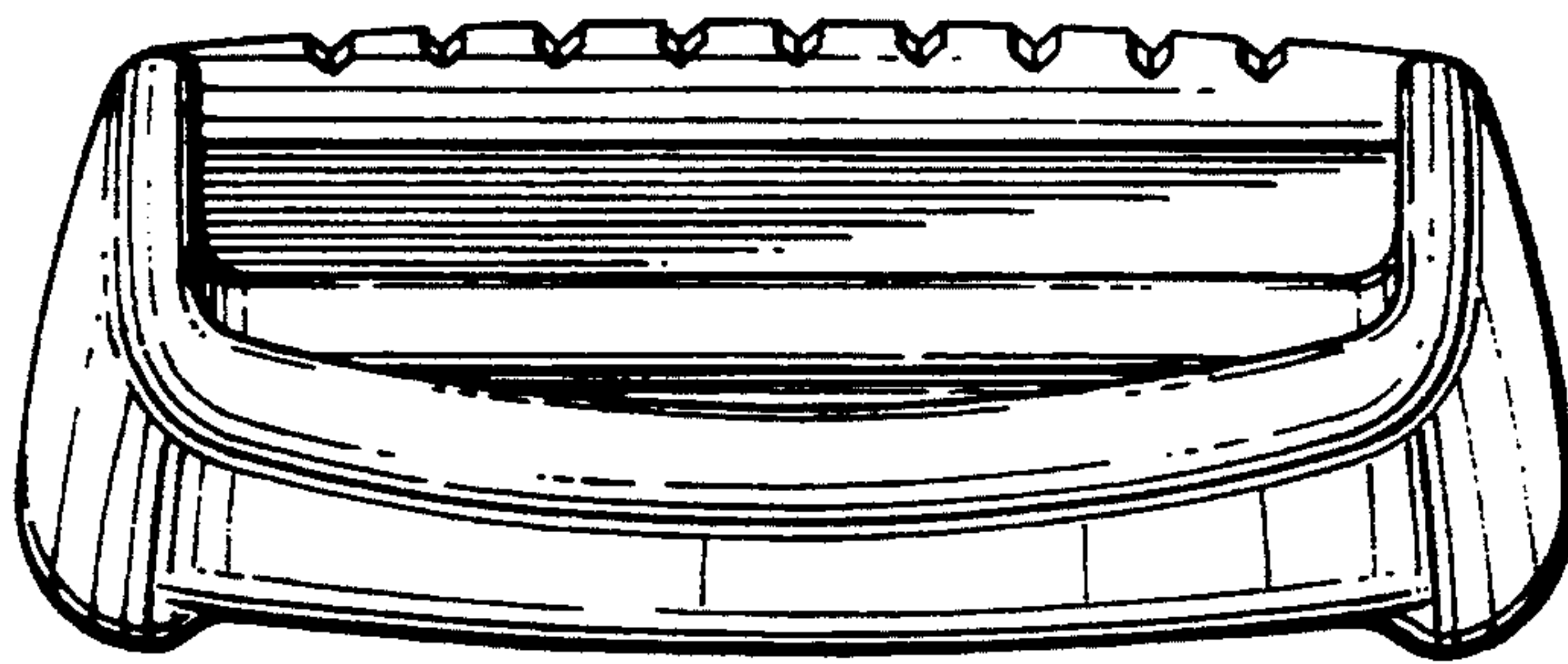


*Fig. 3.*

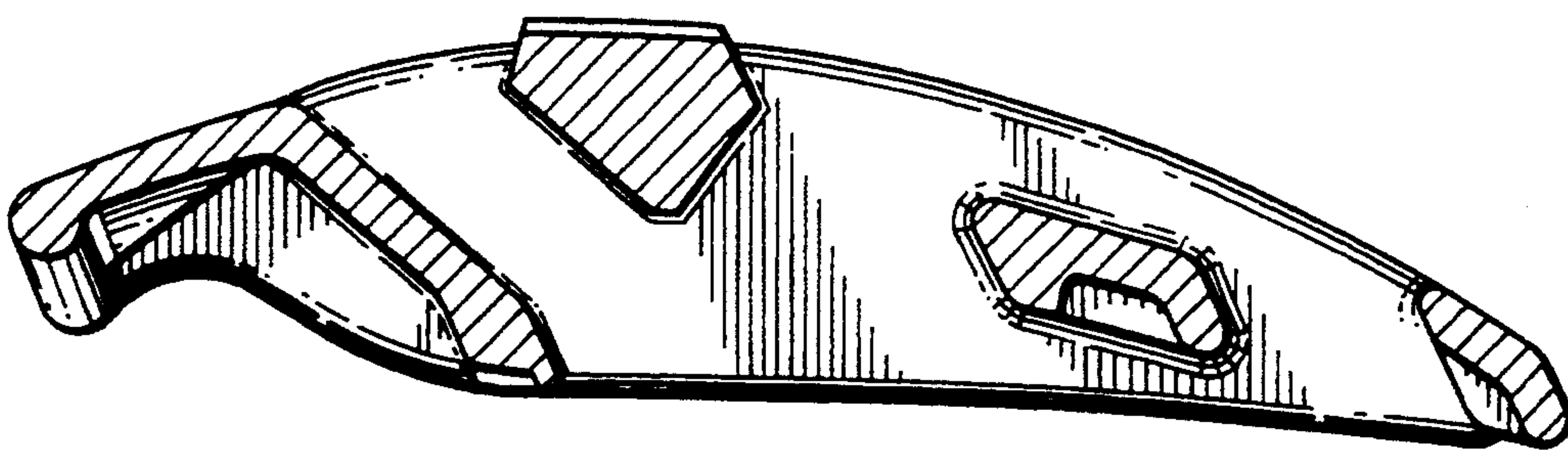


*Fig. 4.*





*Fig. 5.*



*Fig. 6.*