



US00D352242S

United States Patent [19]

[11] Patent Number: **Des. 352,242**

Crawford et al.

[45] Date of Patent: **** Nov. 8, 1994**

[54] BOTTLE

[75] Inventors: **John C. Crawford**, Lake Mahopac, N.Y.; **Gonzalo U. Marte, Jr.**, Metro Manila, Philippines

[73] Assignee: **Colgate-Palmolive Company**, New York, N.Y.

[**] Term: **14 Years**

[21] Appl. No.: **4,213**

[22] Filed: **Jan. 28, 1993**

[52] U.S. Cl. **D9/529; D9/516; D9/530; D9/543; D9/563**

[58] Field of Search **D9/529, 516, 530, 563, D9/525, 543, 575, 572, 542, 573, 574; 215/1 R, 1 C; 222/212, 213, 215, 556**

[56] **References Cited**

U.S. PATENT DOCUMENTS

- D. 234,911 4/1975 Stevens D9/117
- D. 235,032 4/1975 Aktins D9/44
- D. 237,049 10/1975 Atkins D9/144
- D. 237,863 12/1975 Peters et al. D9/168
- D. 242,225 11/1976 Sinclair D9/149
- D. 245,226 8/1977 Magowan D9/149
- D. 250,248 11/1978 Grip D9/529 X

- D. 260,607 9/1981 Stoy D9/542
- D. 281,861 12/1985 Jones et al. D9/377
- D. 302,659 8/1989 Peterson et al. D9/529
- D. 305,300 1/1990 Kraft D9/377
- D. 312,211 11/1990 Segati D9/404
- D. 317,121 5/1991 Crawford et al. D9/367

OTHER PUBLICATIONS

Harper's Bazaar, Apr. 1986, p. 121, Nivea "Sun" Lotion bottle.

Washington Post Coupon Section, Nov. 24, 1991, Jergen's Advanced Therapy Lotion bottle.

Primary Examiner—Lucy J. Lieberman

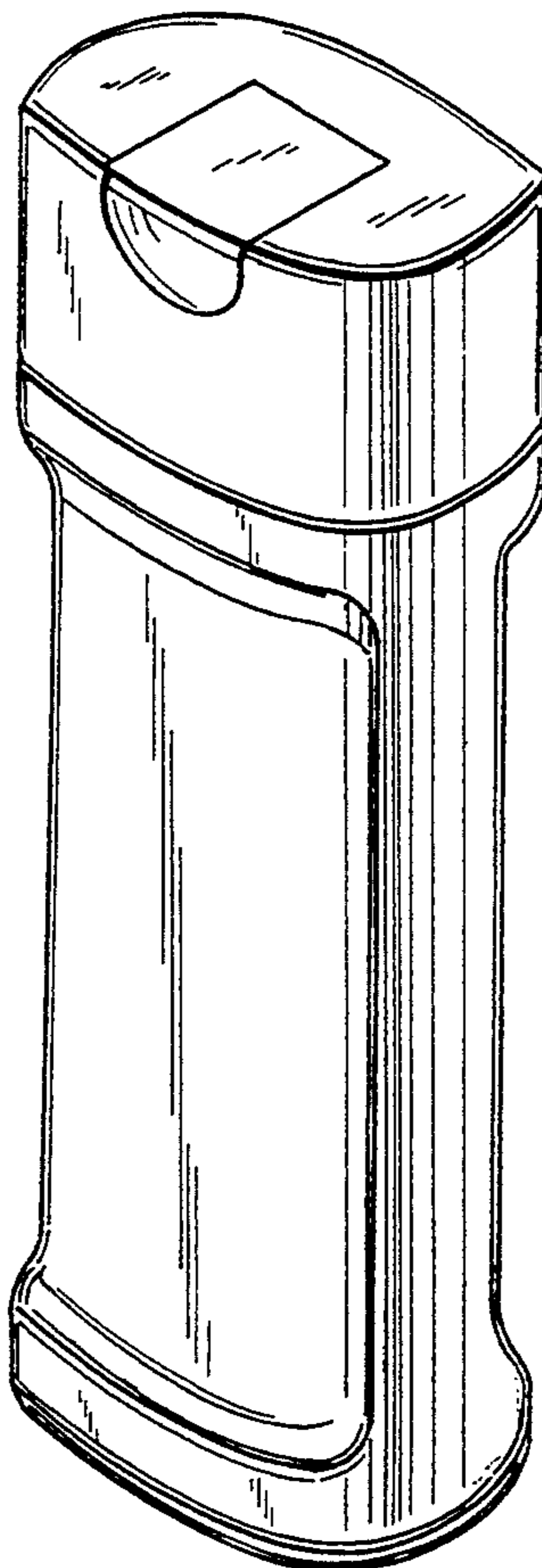
Attorney, Agent, or Firm—Michael J. McGreal; Robert C. Sullivan

[57] **CLAIM**

The ornamental design for a bottle, as shown.

DESCRIPTION

FIG. 1 is a front elevation of a bottle showing our new design;
 FIG. 2 is a left side elevational view thereof;
 FIG. 3 is a right side elevational view thereof;
 FIG. 4 is a rear elevational view thereof;
 FIG. 5 is a top plan view thereof;
 FIG. 6 is a bottom plan view thereof; and,
 FIG. 7 is a perspective view thereof.



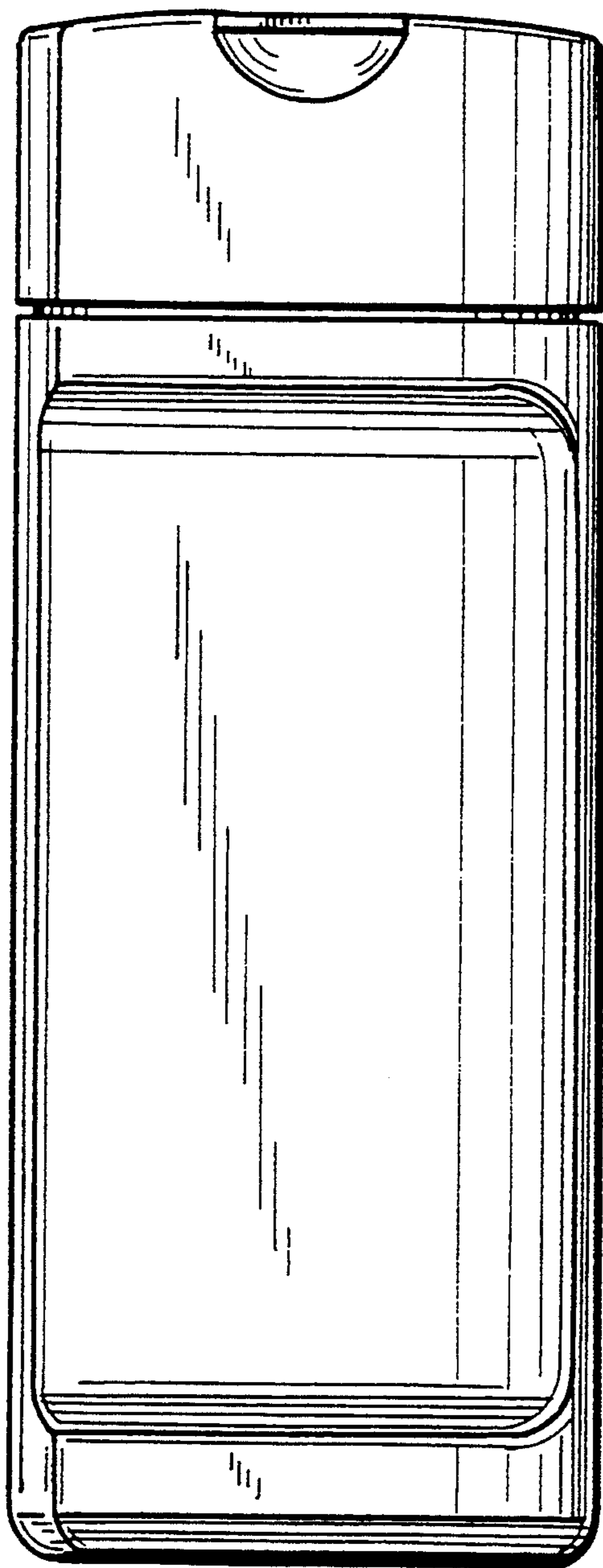


FIG. 1

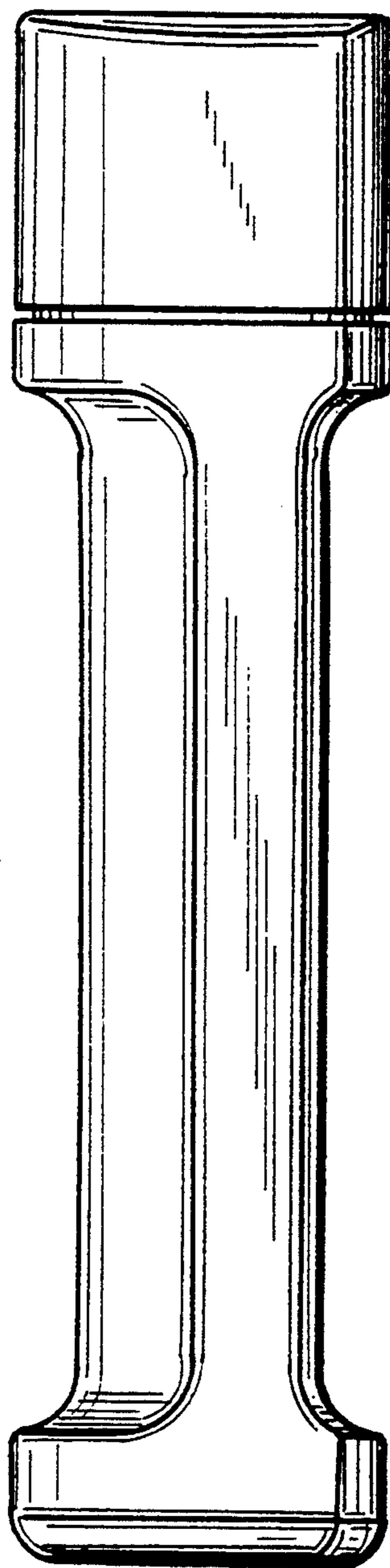


FIG. 2

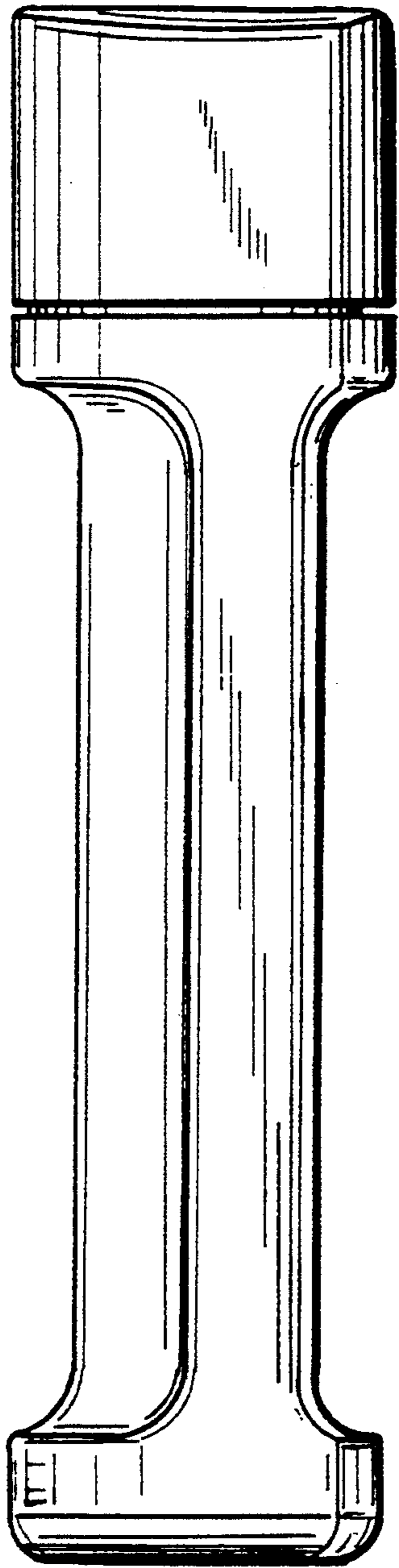


FIG. 3

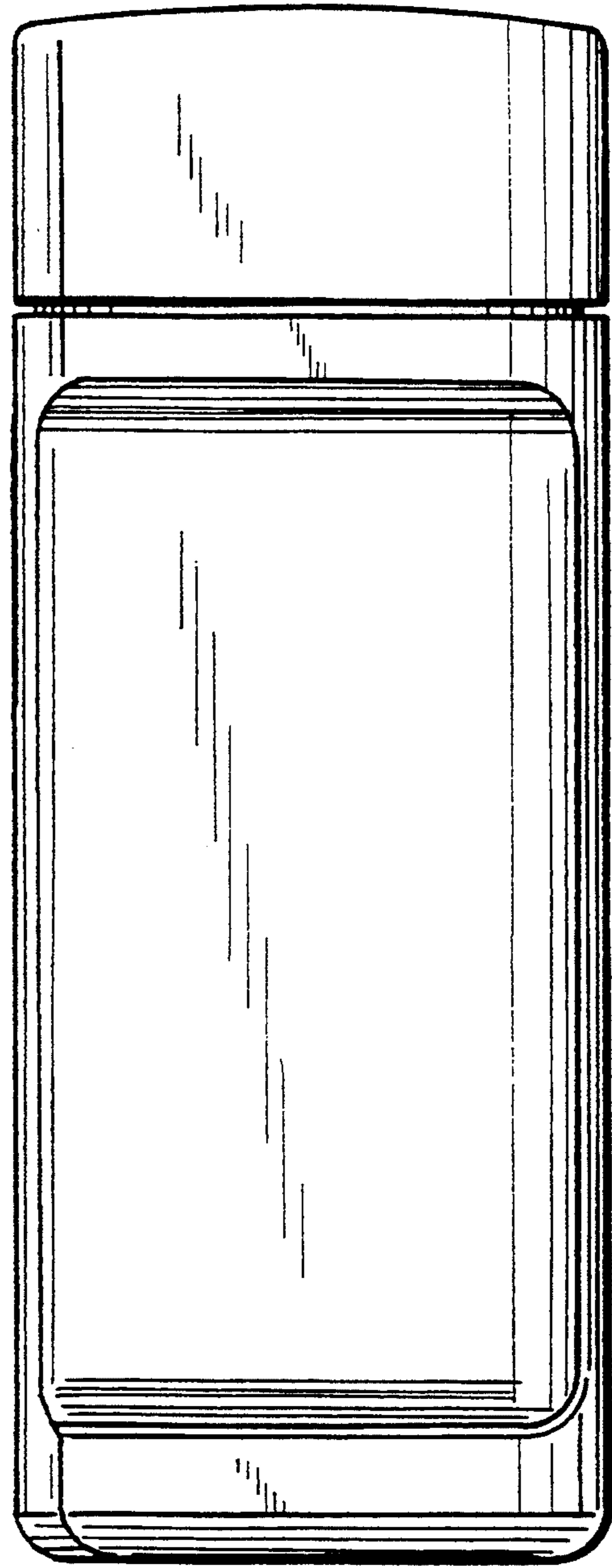


FIG. 4

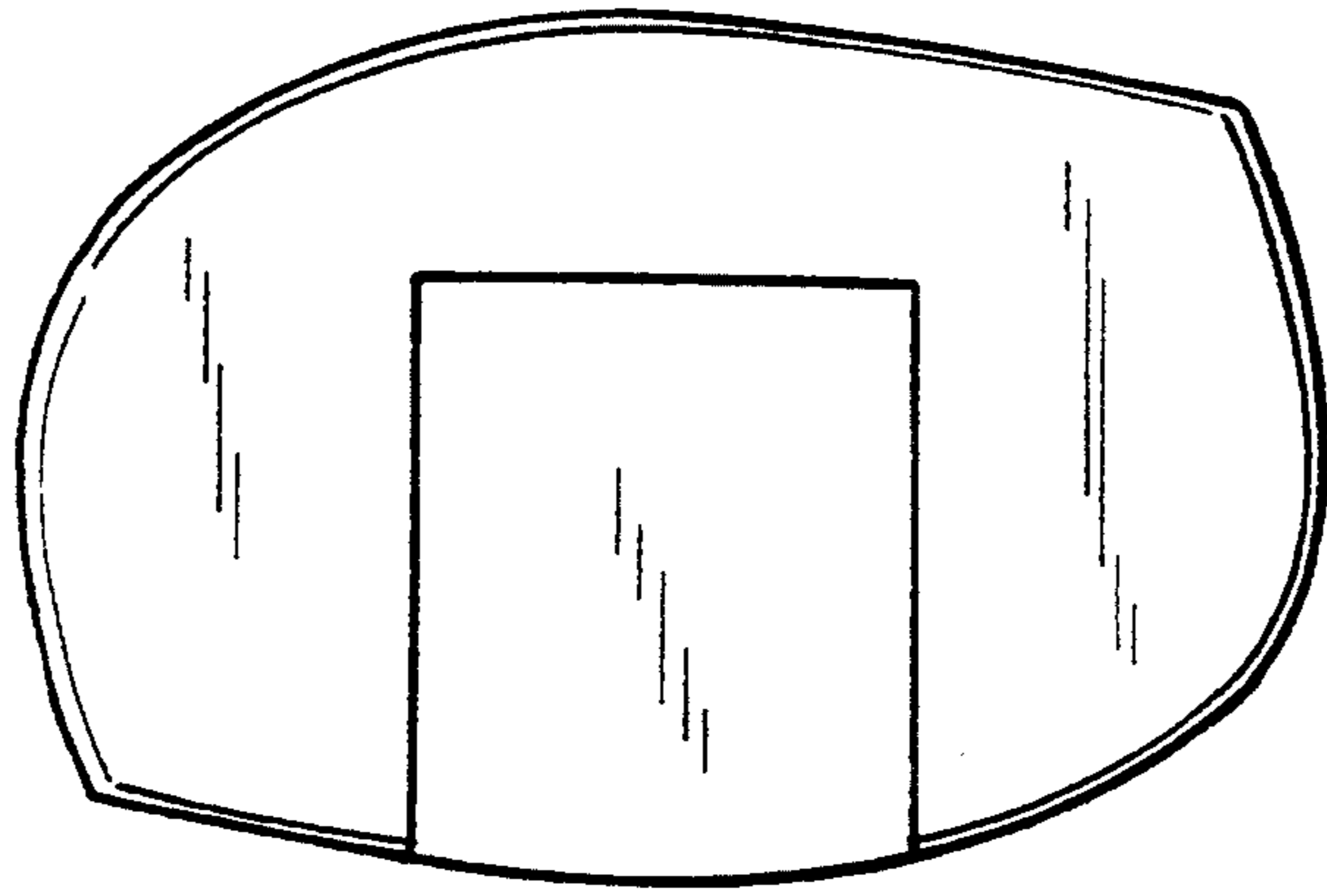


FIG. 5

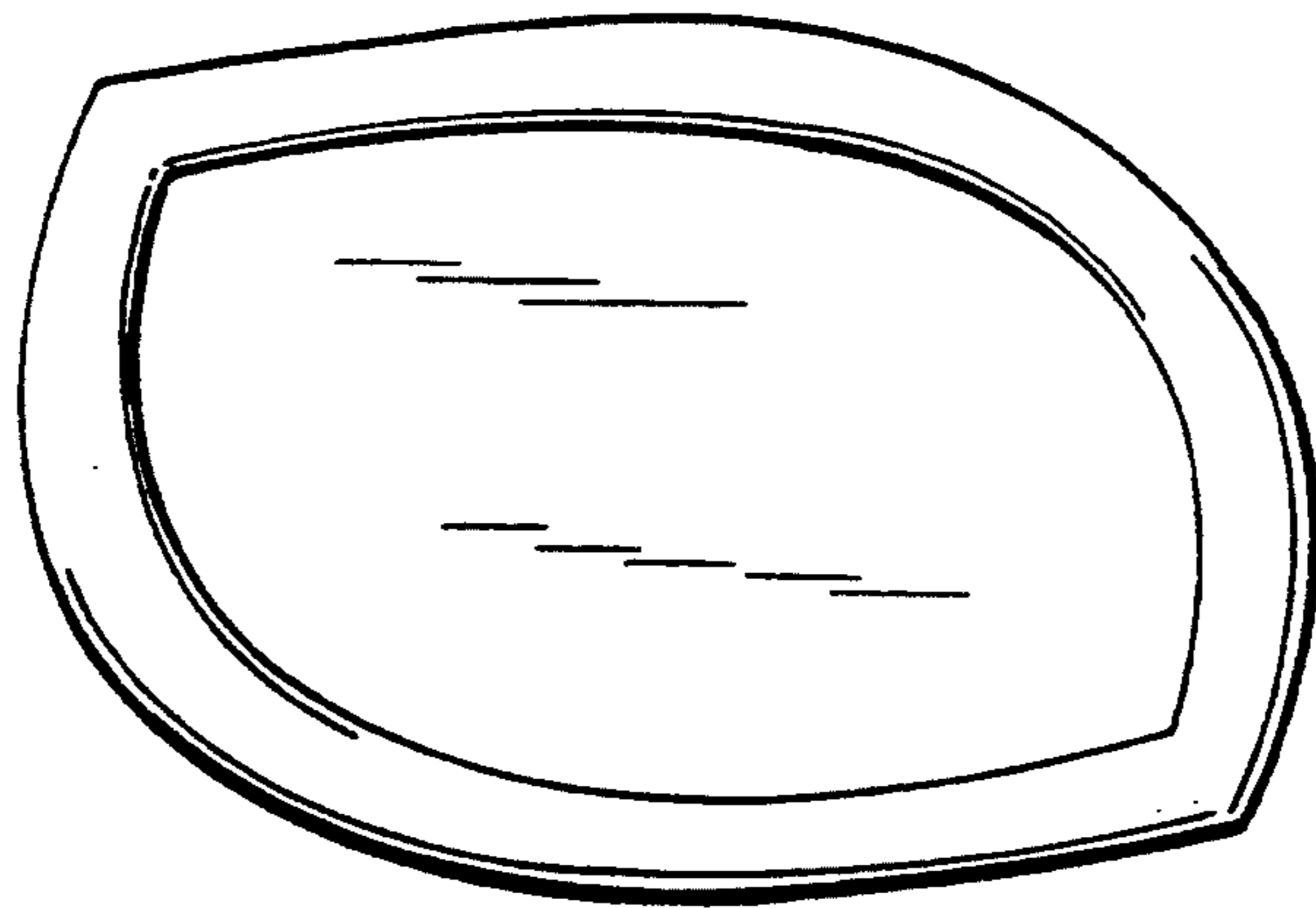


FIG. 6

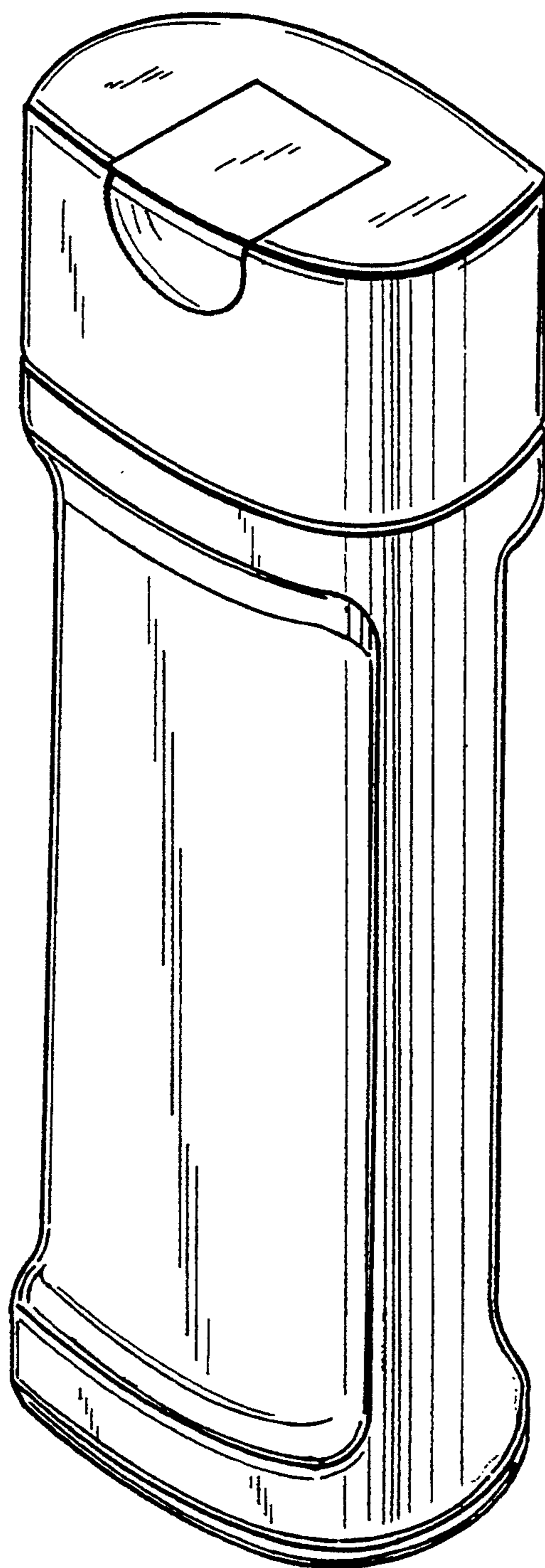


FIG. 7