



US00D352231S

# United States Patent [19]

Van de Peer

[11] Patent Number: **Des. 352,231**

[45] Date of Patent: **\*\* Nov. 8, 1994**

[54] **SPACER FOR USE IN CONCRETE CONSTRUCTION**

[75] Inventor: **Christopher Van de Peer**, Seven Hills, Australia

[73] Assignee: **Fiberslab Pty Limited**, New South Wales, Australia

[\*\*] Term: **14 Years**

[21] Appl. No.: **6,541**

[22] Filed: **Mar. 31, 1993**

4,063,397 12/1977 Follows ..... 52/684

### FOREIGN PATENT DOCUMENTS

612486 1/1961 Canada ..... 52/677  
 1255275 11/1967 Germany ..... 52/684  
 986450 3/1965 United Kingdom ..... 52/677

*Primary Examiner*—Wallace R. Burke  
*Assistant Examiner*—H. Baynham

### [57] CLAIM

The ornamental design for a spacer for use in concrete construction, as shown.

### DESCRIPTION

FIG. 1 is a perspective view of a spacer for use in concrete construction showing my new design;  
 FIG. 2 is an end elevational view thereof with the opposite end being a mirror image thereof;  
 FIG. 3 is a side elevational view thereof with the opposite side being a mirror image thereof; and,  
 FIG. 4 is a top plan view thereof with the opposite plan view being a mirror image thereof.

[30] **Foreign Application Priority Data**

Oct. 1, 1992 [AU] Australia ..... 2754/92

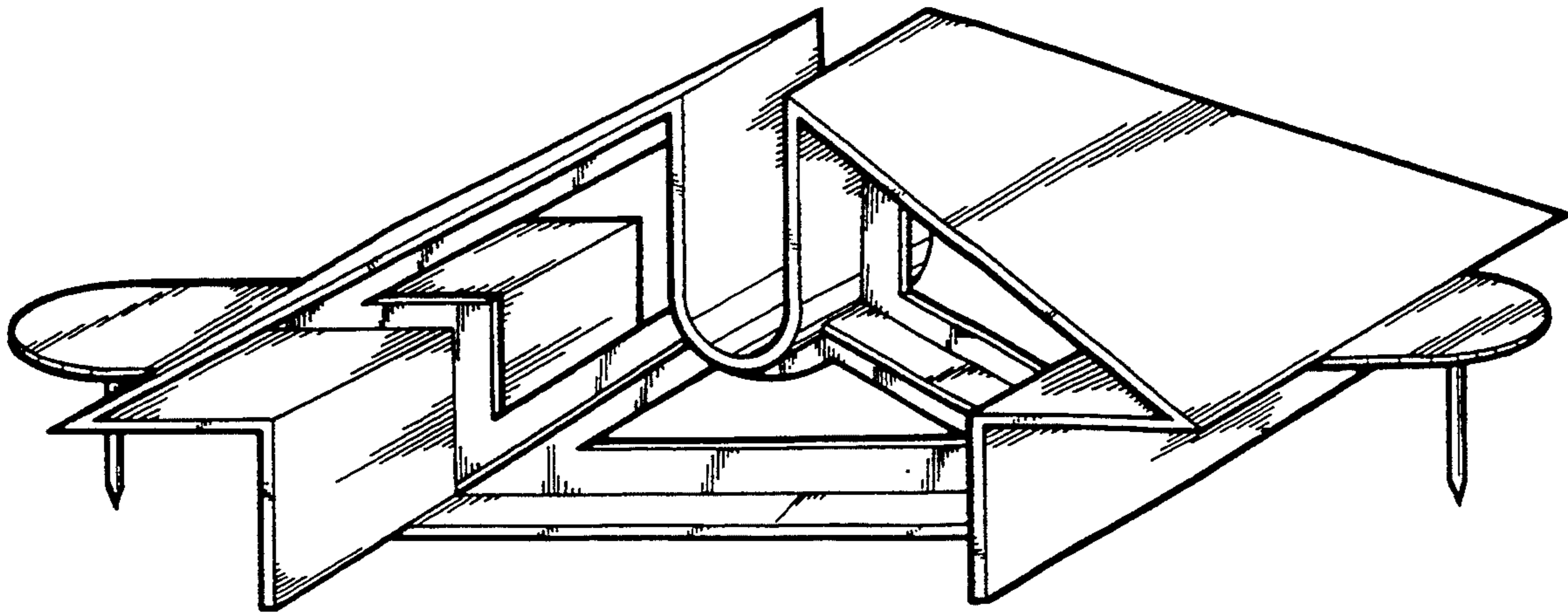
[52] U.S. Cl. .... **D8/354**

[58] Field of Search ..... D8/354; 52/677, 684

[56] **References Cited**

**U.S. PATENT DOCUMENTS**

D. 232,807 9/1974 Toner ..... D8/380  
 3,471,987 10/1969 Yelsma ..... 52/684



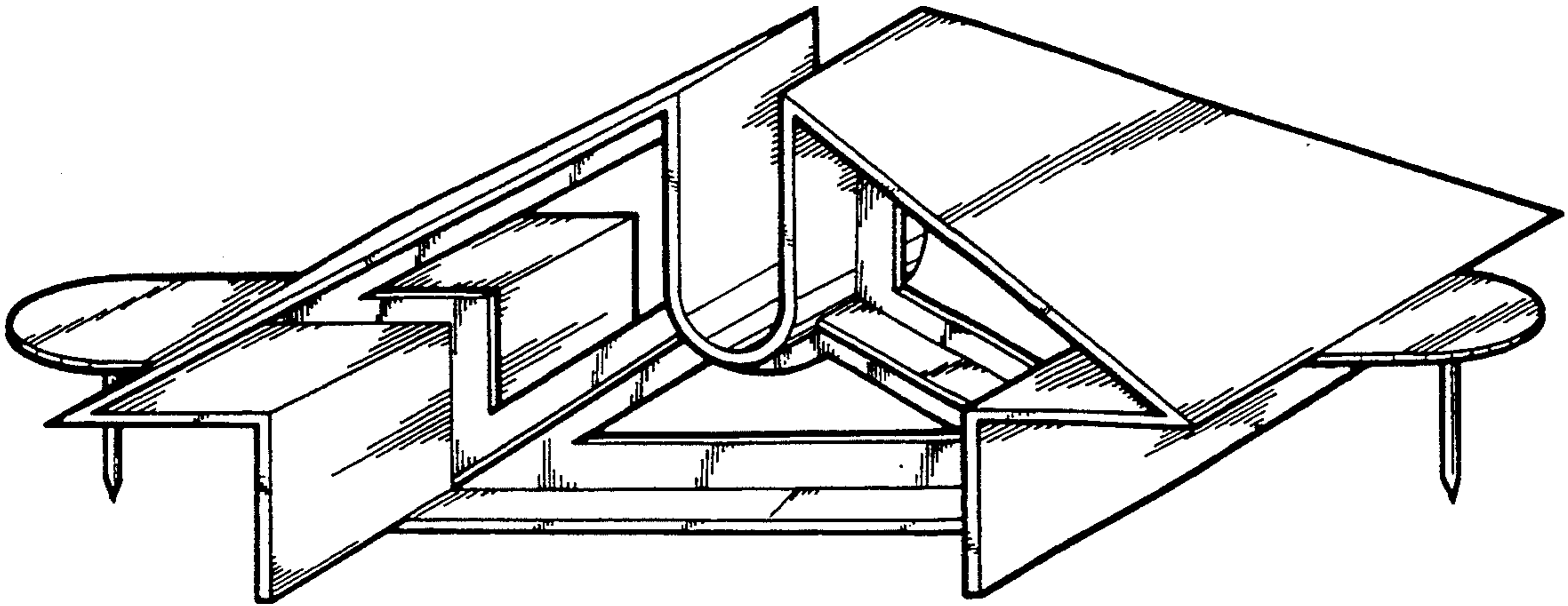


FIGURE 1

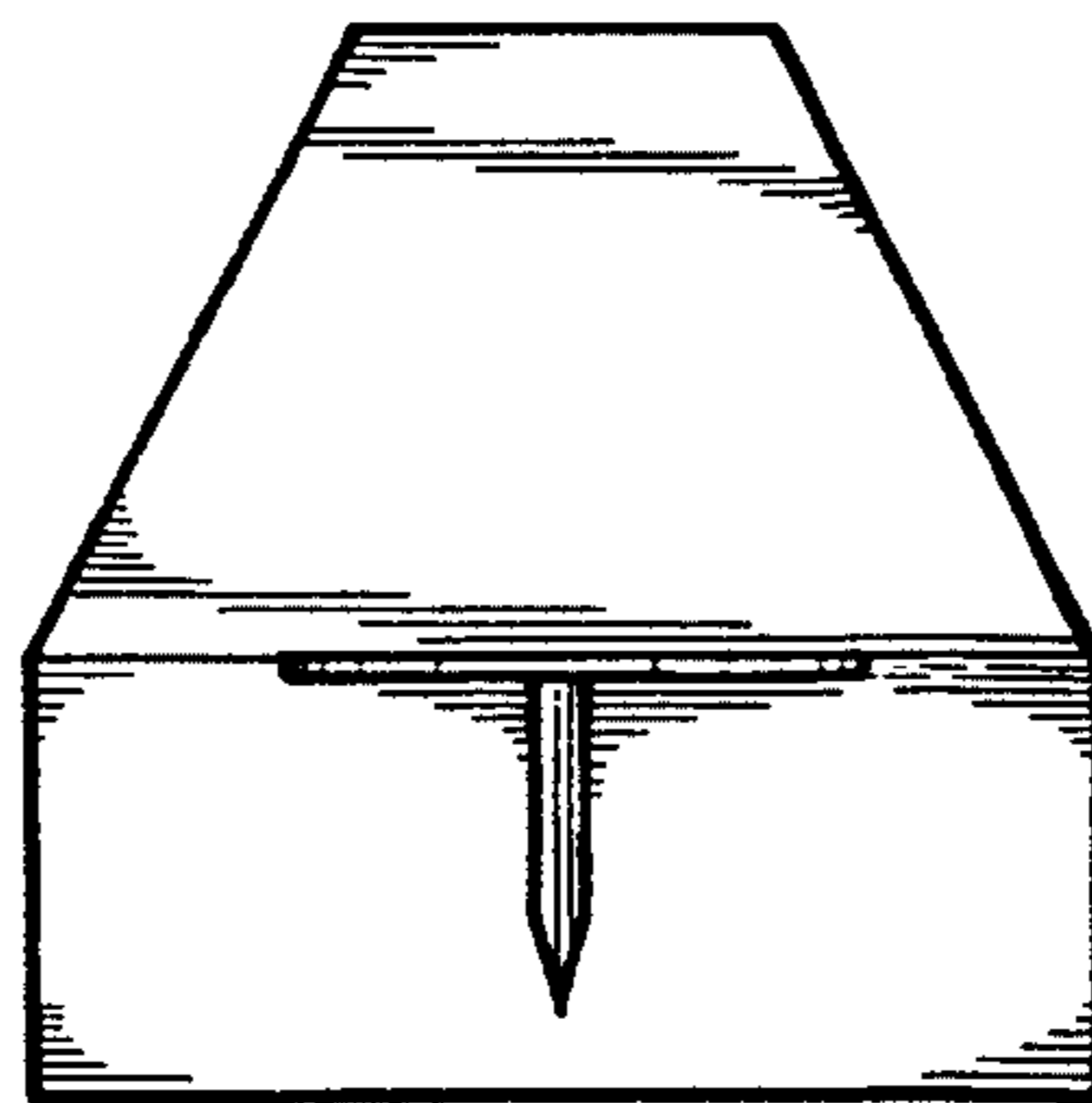


FIGURE 2

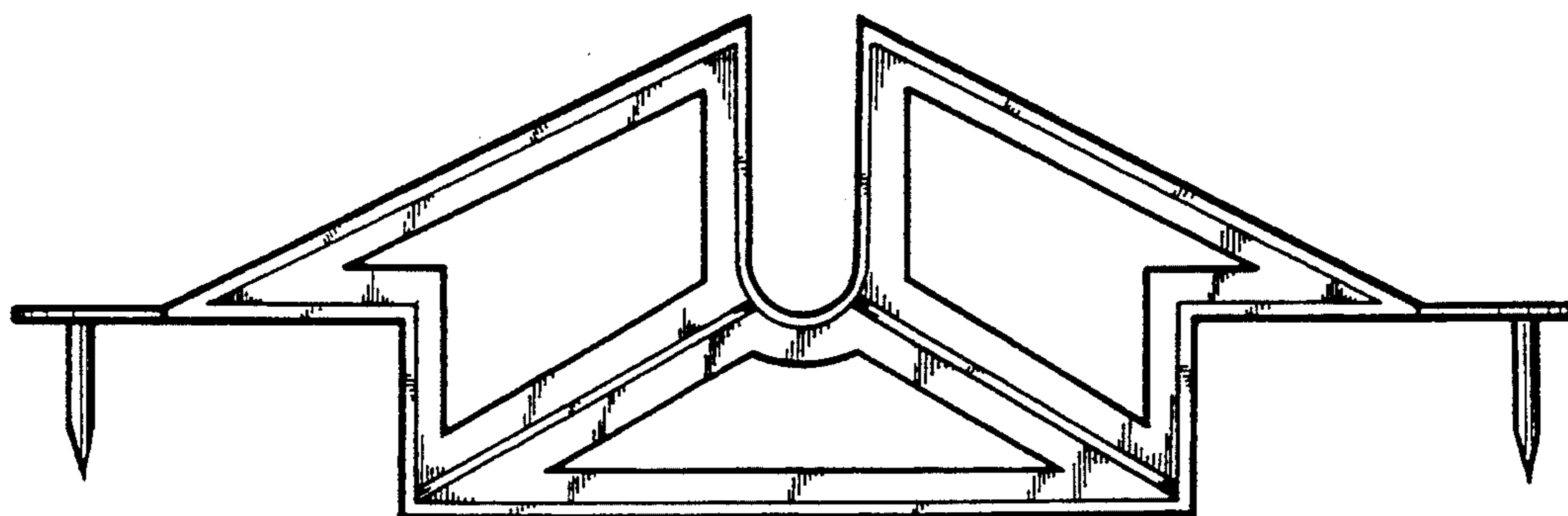


FIGURE 3

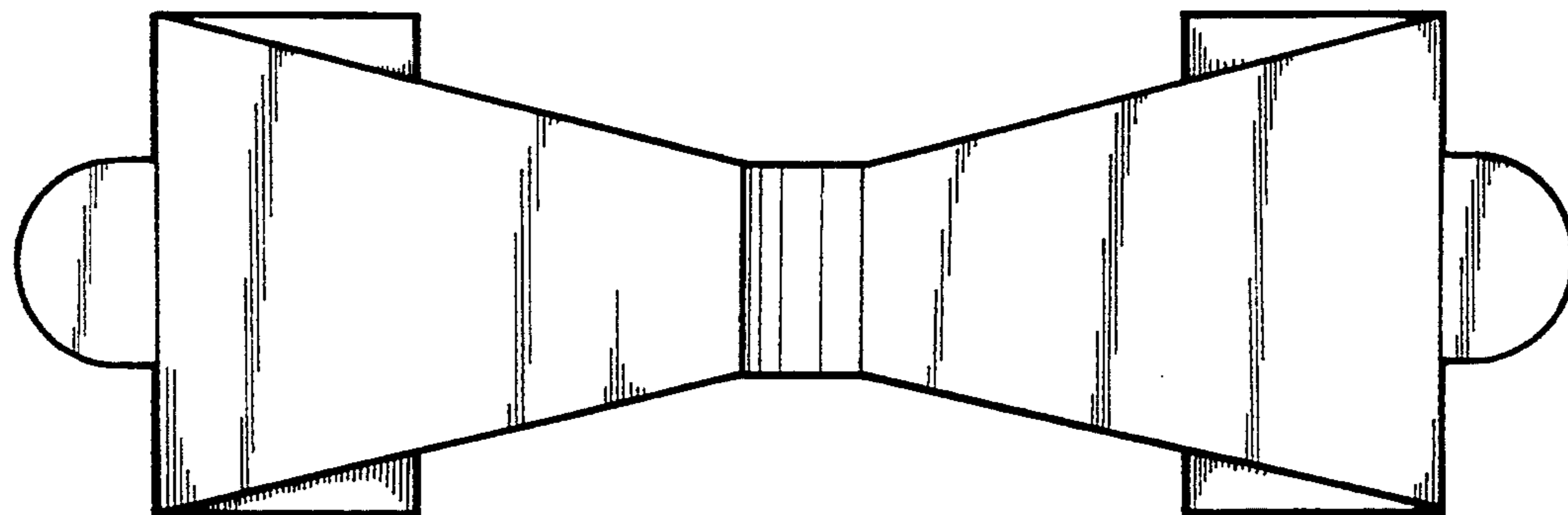


FIGURE 4