



US00D352225S

United States Patent [19]

[11] Patent Number: **Des. 352,225**

Hoffman et al.

[45] Date of Patent: **** Nov. 8, 1994**

[54] **PORTION OF A KEY BLADE BLANK**

[75] Inventors: **Anthony J. Hoffman**, Plantsville, Conn.; **Robert E. Kearns**, San Francisco, Calif.

[73] Assignee: **Corbin Russwin, Inc.**, Berlin, Conn.

[**] Term: **14 Years**

[21] Appl. No.: **3,304**

[22] Filed: **Jan. 6, 1993**

[52] U.S. Cl. **D8/347**

[58] Field of Search **D8/347, 348; 70/393, 70/402, 405-407, 419, 437**

[56] **References Cited**

U.S. PATENT DOCUMENTS

D. 278,880	5/1985	Widen	D8/347
D. 286,854	11/1986	Fane et al.	D8/347
D. 328,856	8/1992	Best et al.	D8/347
D. 335,253	5/1993	Eizen	D8/347
2,803,959	8/1957	Schlage	70/347 X
3,499,304	3/1970	Nuajoks	70/406
4,608,842	9/1986	Tietz	70/419 X
4,964,288	10/1990	Braun et al.	70/406

FOREIGN PATENT DOCUMENTS

88591 2/1960 Denmark 70/406 X

OTHER PUBLICATIONS

Ilco Unican Corp. Catalogue No. 60R (1984) Key Blank #A1170B (p. 2).

Ilco Unican Corp. Catalogue No. 60R (1984) Key Blank #1054F (p. 13).

Emhardt Corp. Drawing-Warding Data-Sections 59C, 62C, 76D1.

Primary Examiner—Brian N. Vinson

Attorney, Agent, or Firm—Darby & Darby

[57] CLAIM

The ornamental design for a portion of a key blade blank, as shown and described.

DESCRIPTION

FIG. 1 is a front view of our new design of a portion of a key blade blank;

FIG. 2 is a right side view thereof;

FIG. 3 is a left side view thereof;

FIG. 4 is a top view thereof; and,

FIG. 5 is a bottom view thereof.

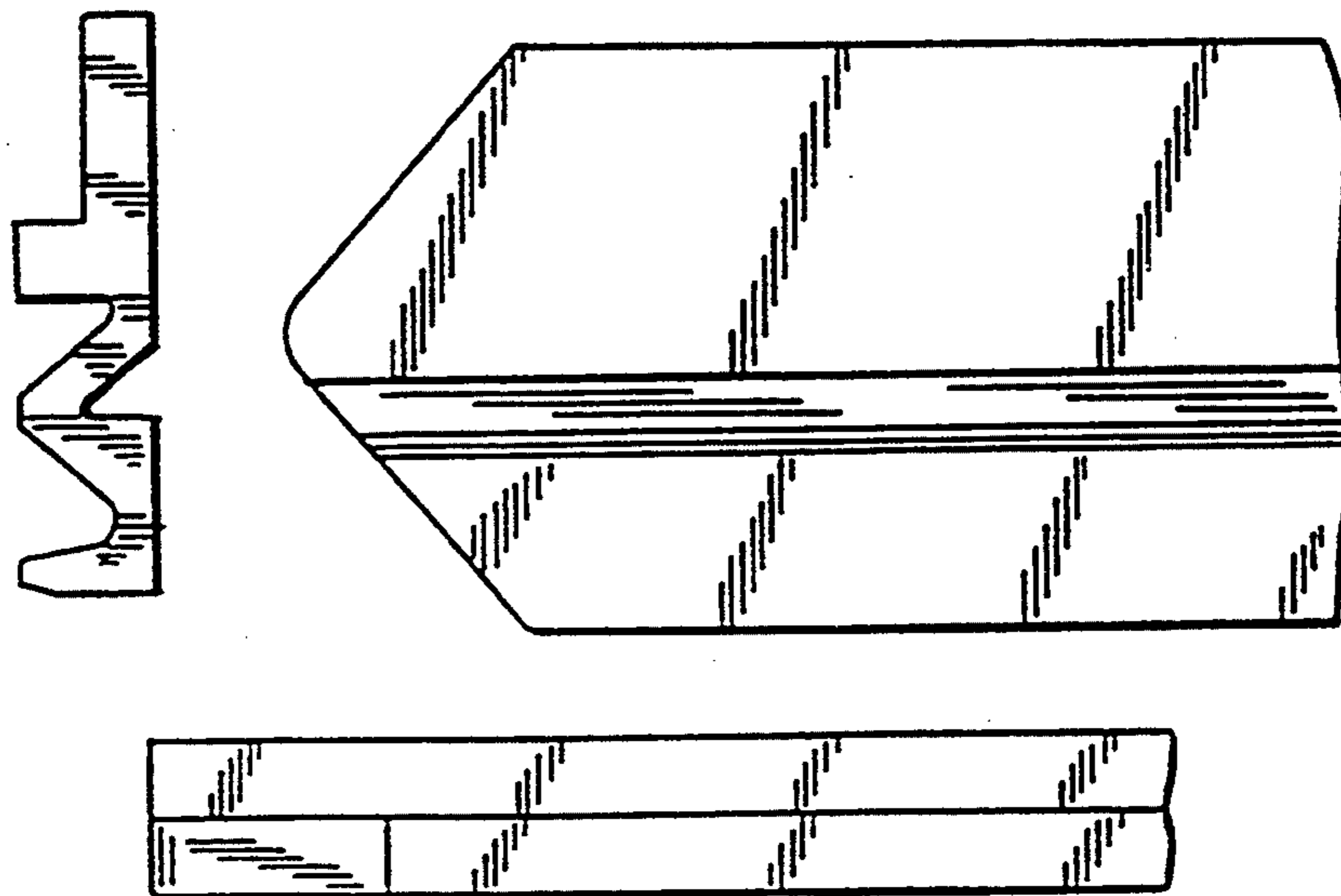


FIG. 4

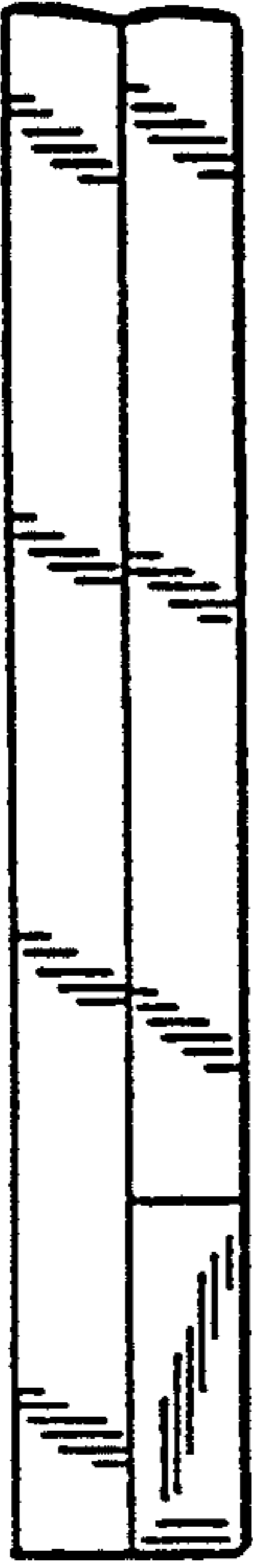


FIG. 2

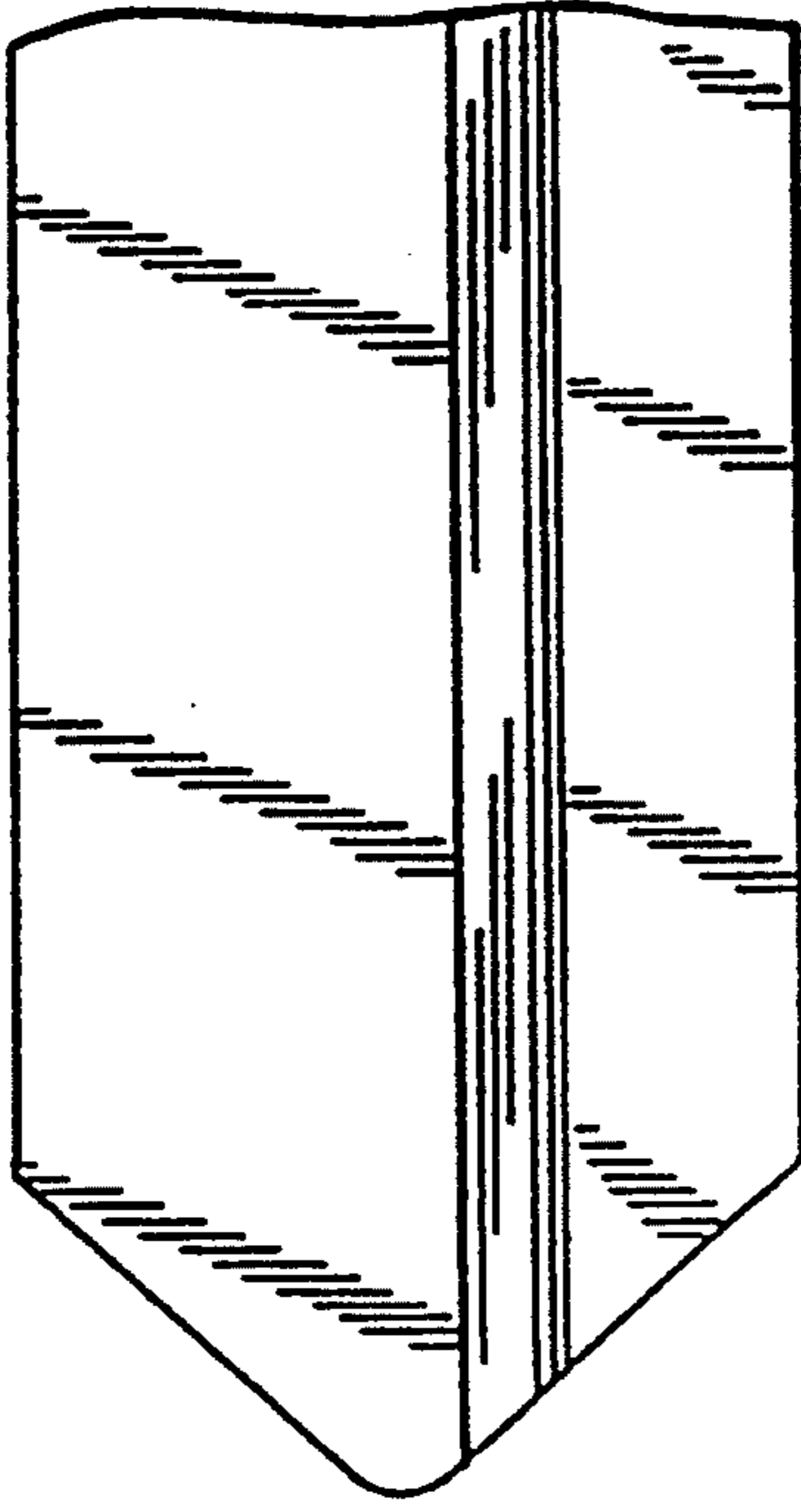


FIG. 5



FIG. 1



FIG. 3

