



US00D352223S

United States Patent [19]

[11] Patent Number: **Des. 352,223**

Shieh

[45] Date of Patent: **** Nov. 8, 1994**

[54] **DISK BRAKE LOCK**

D. 315,090	3/1991	Pedersen	D8/334
D. 339,055	9/1993	Ling	D8/334
D. 342,010	12/1993	Lebrecht et al.	D8/334

[76] Inventor: **Jin-Ren Shieh**, No. 178, Shih Chia Rd., Taichung, Taiwan, Prov. of China

Primary Examiner—Brian N. Vinson
Attorney, Agent, or Firm—Browdy and Neimark

[**] Term: **14 Years**

[57] **CLAIM**

[21] Appl. No.: **11,869**

The ornamental design for a disk brake lock, as shown and described.

[22] Filed: **Aug. 17, 1993**

DESCRIPTION

[52] U.S. Cl. **D8/333; D8/334**

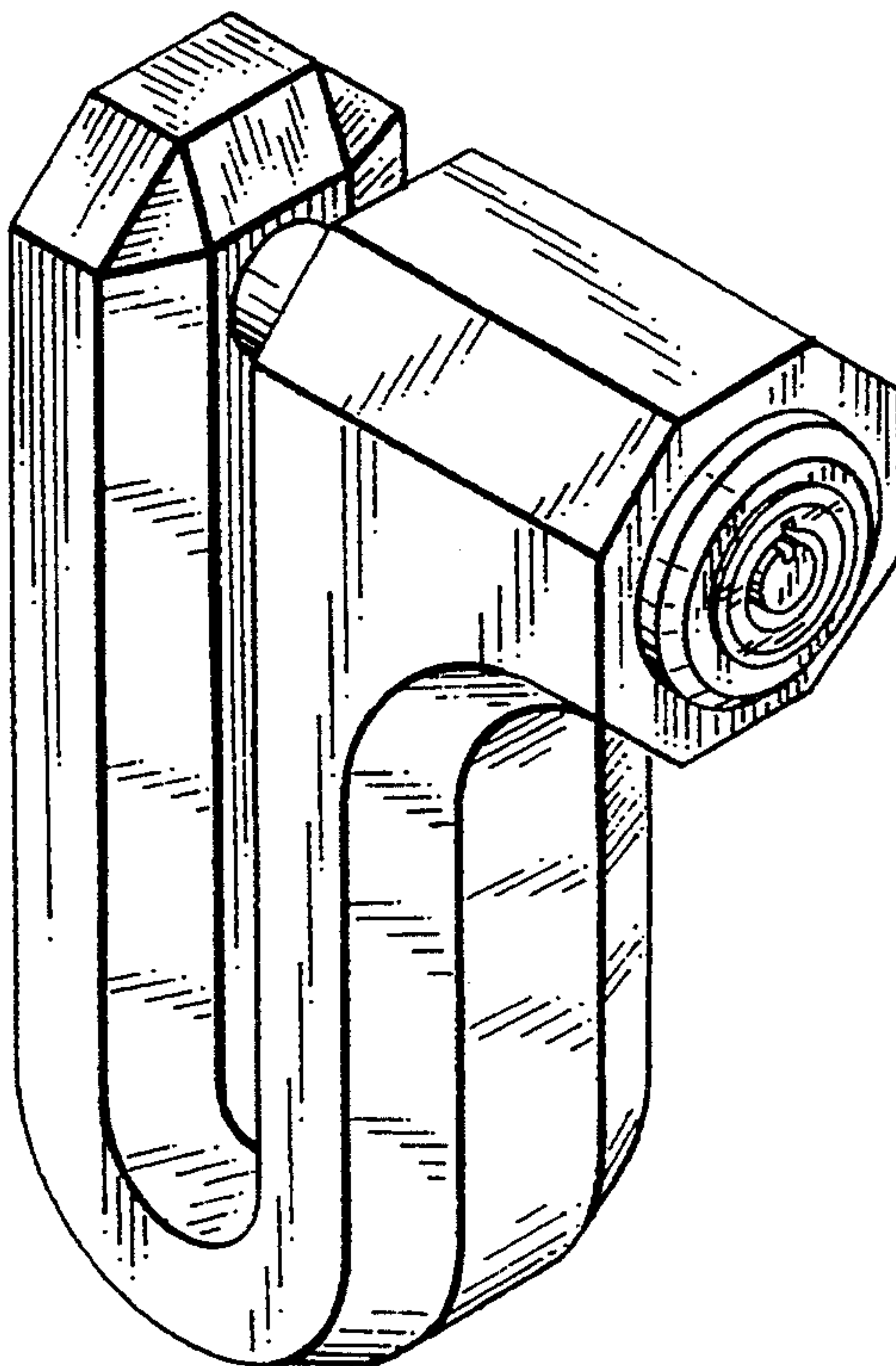
[58] Field of Search **D8/333-334;**
70/14, 20, 31, 35, 38 R, 237, 259-260

FIG. 1 is a perspective view of the disk brake lock showing my new design;
FIG. 2 is a front elevational view thereof;
FIG. 3 is a left elevational view thereof;
FIG. 4 is a right elevational view thereof;
FIG. 5 is a top plan view thereof; and,
FIG. 6 is a bottom plan view thereof.

[56] **References Cited**

U.S. PATENT DOCUMENTS

D. 137,274 2/1944 Muller-Munk D8/334



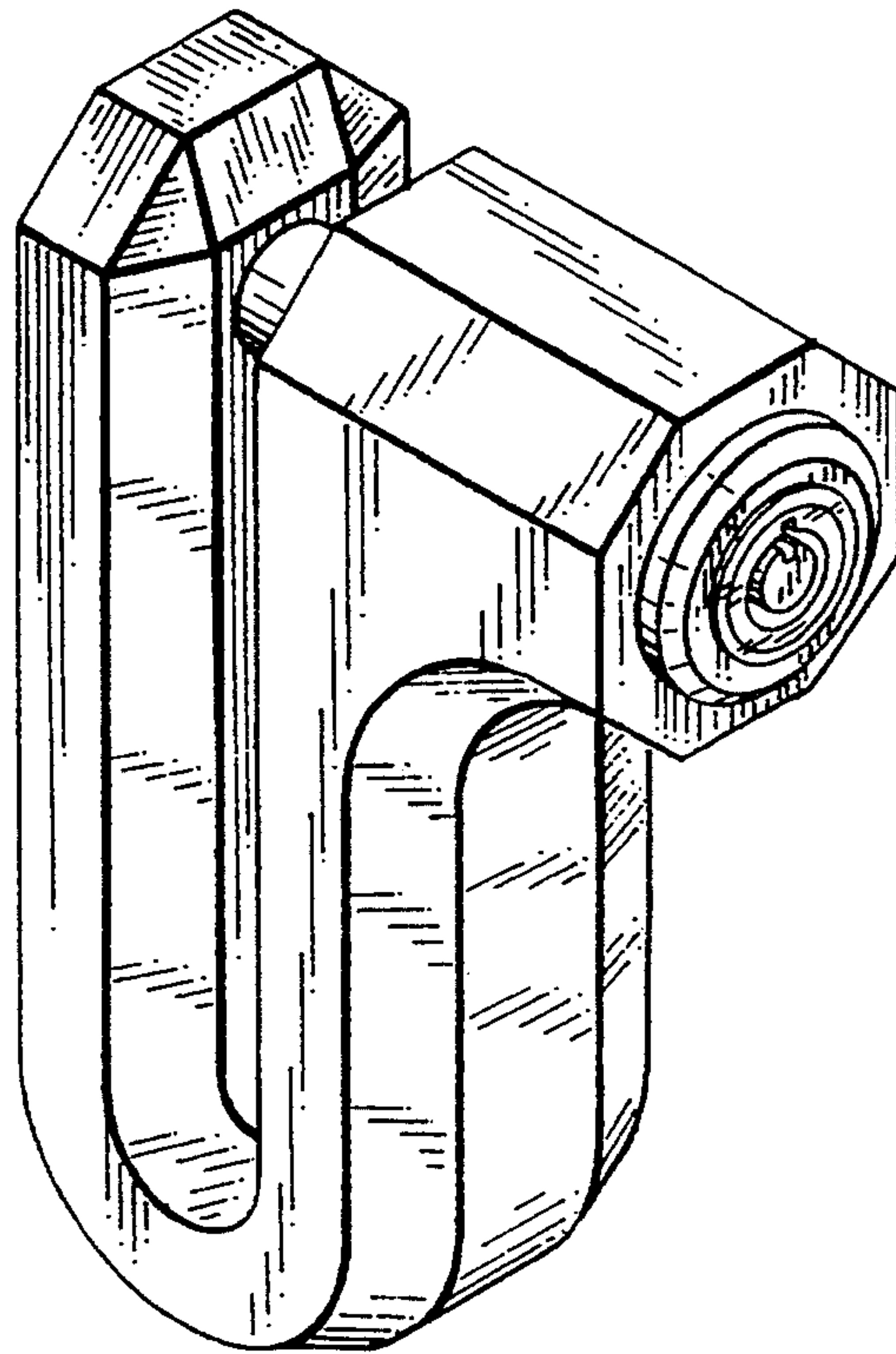


FIG. 1

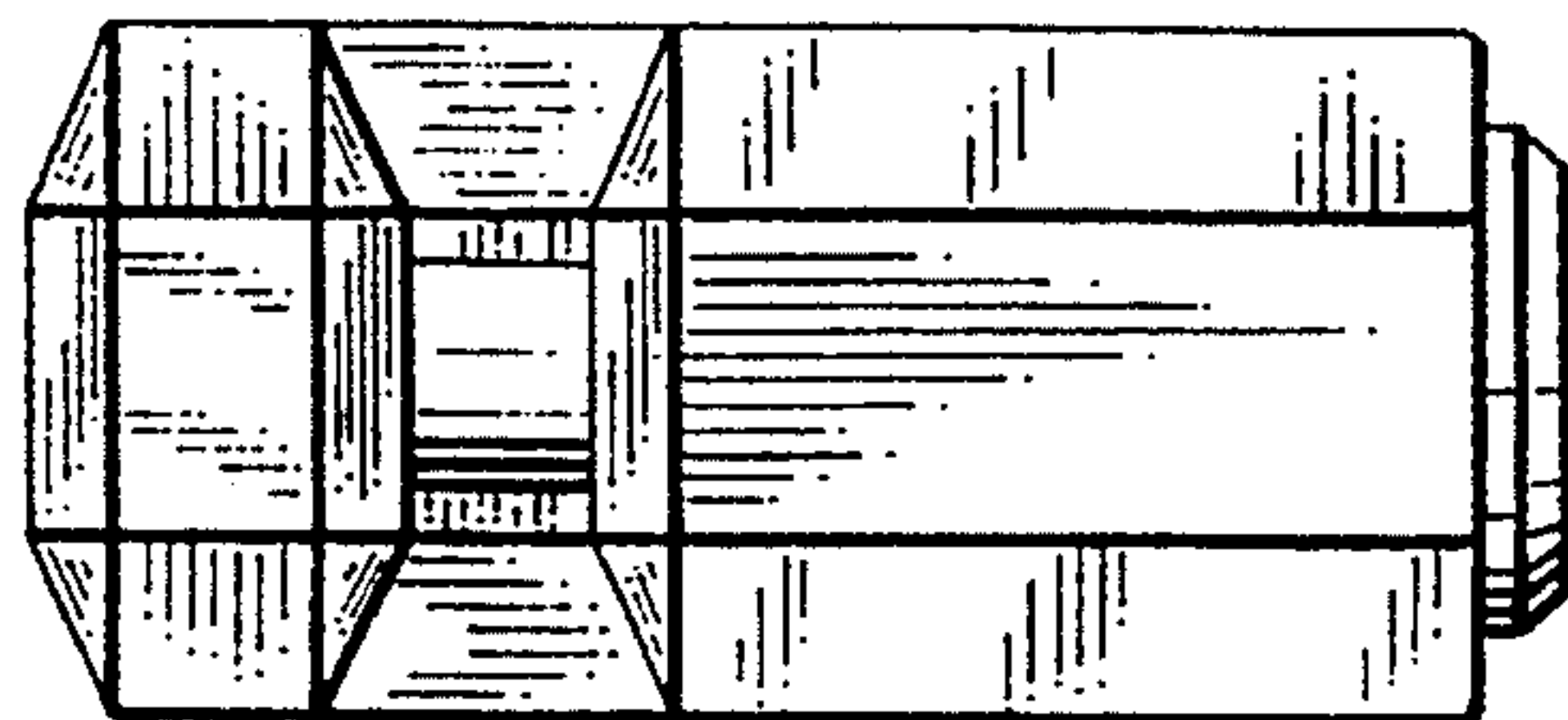


FIG. 5

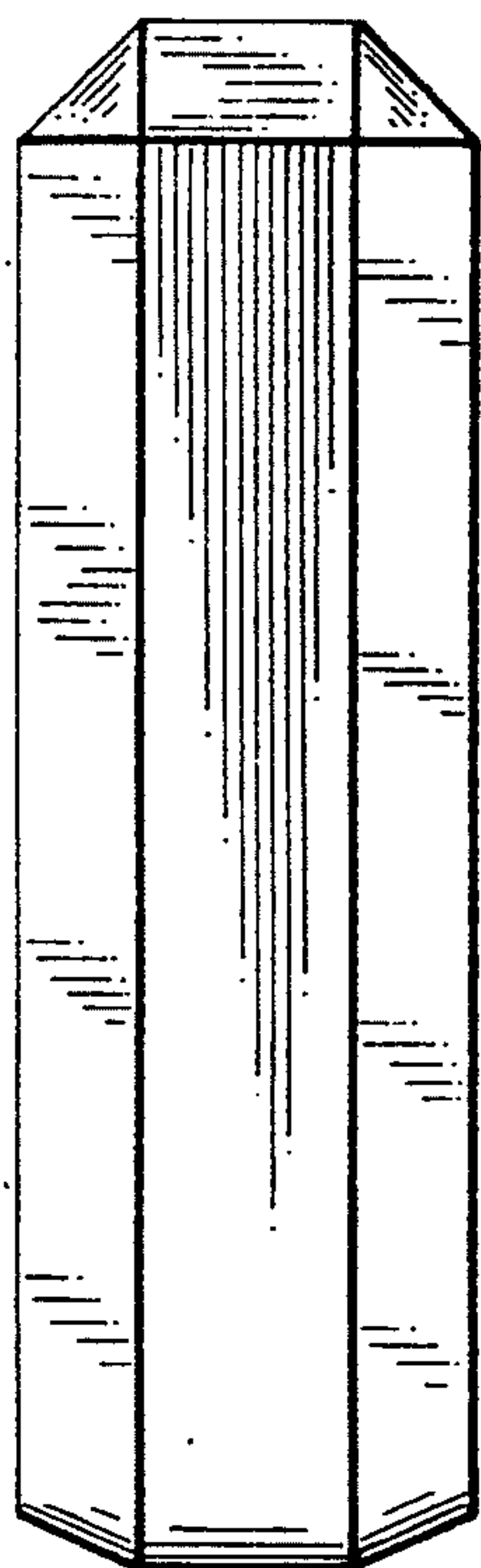


FIG. 3

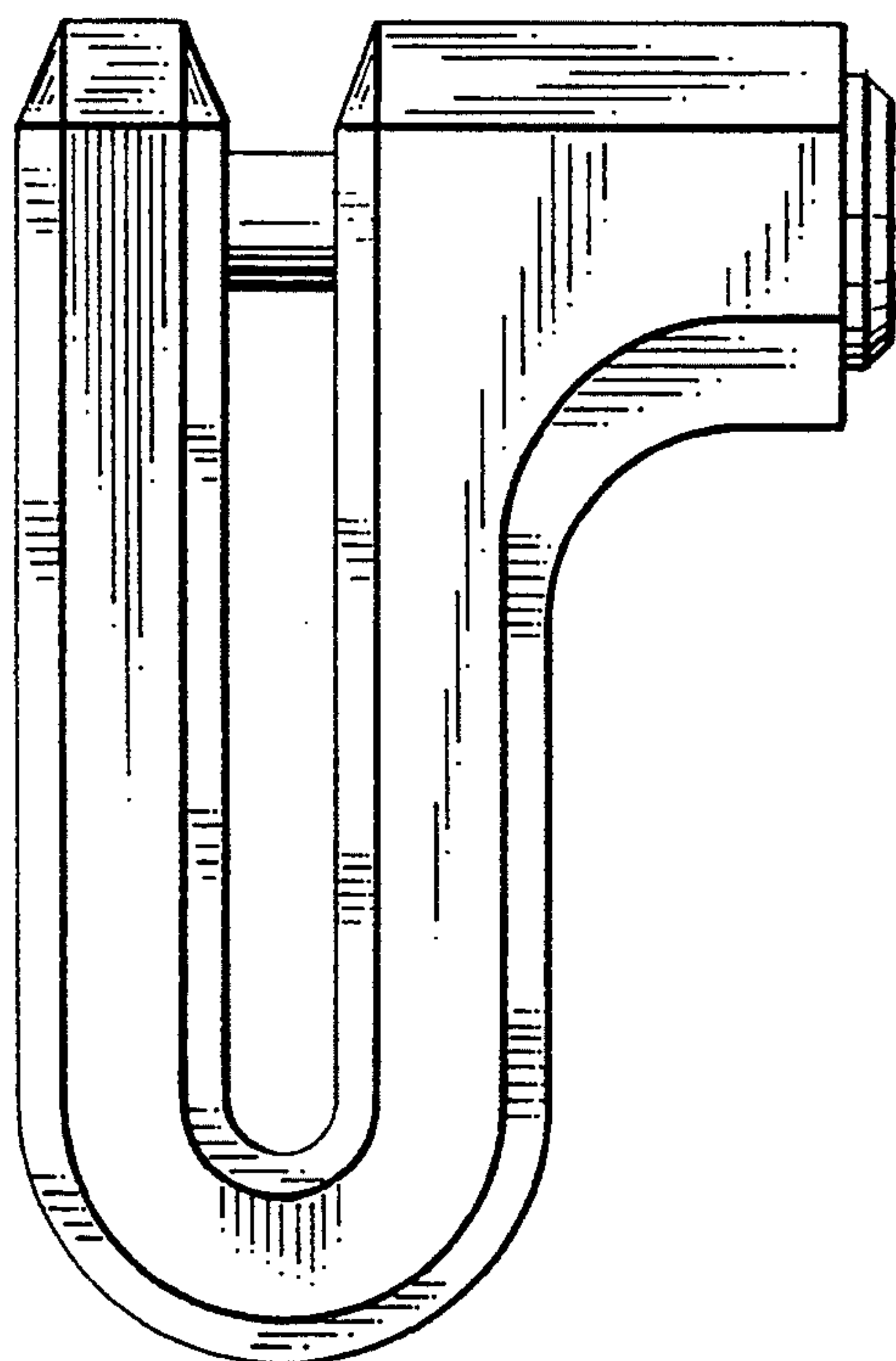


FIG. 2

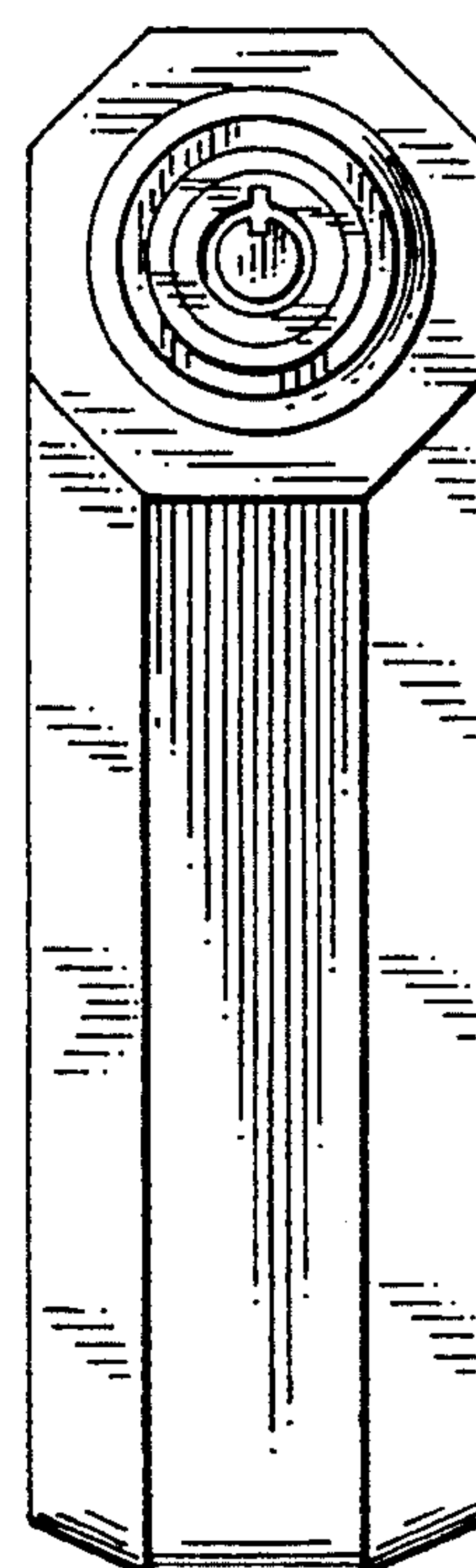


FIG. 4

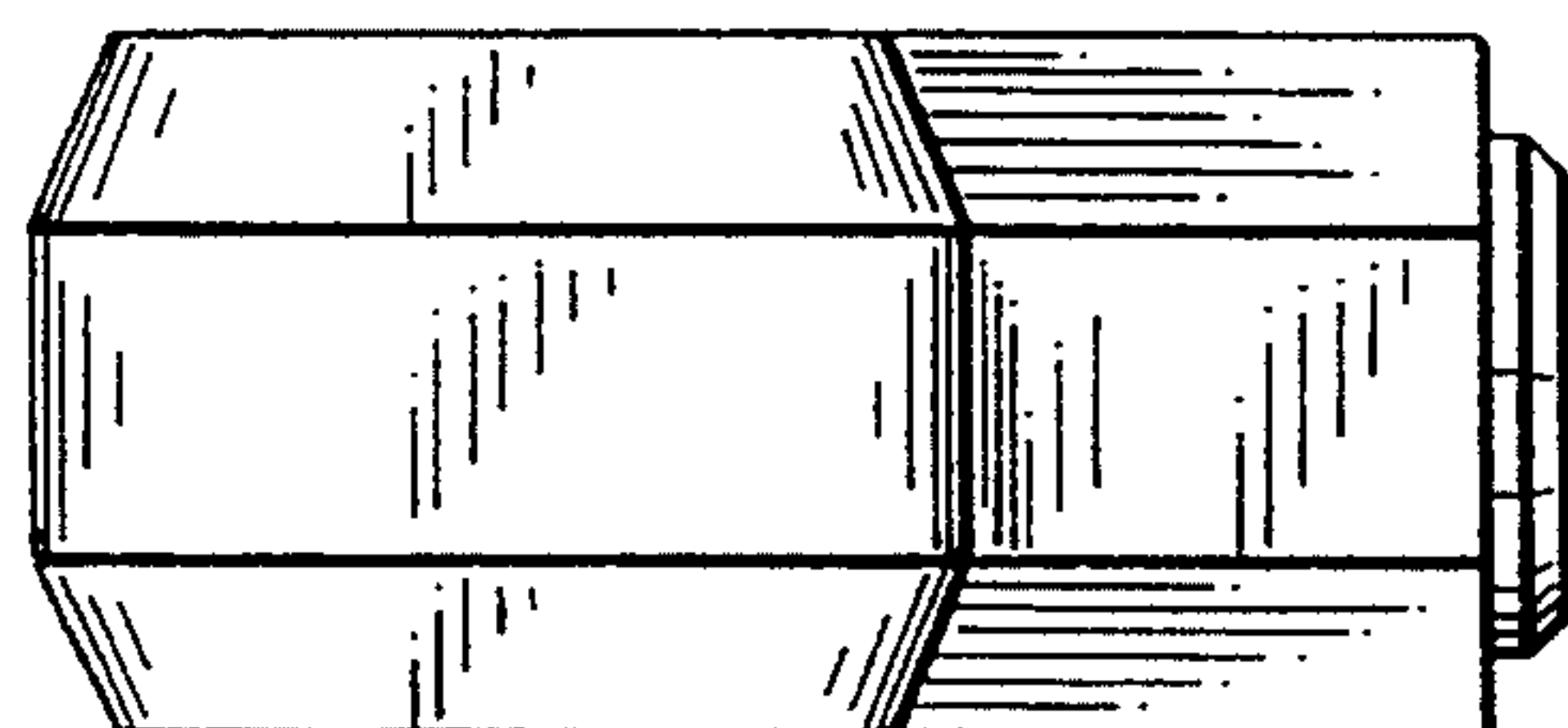


FIG. 6