



US00D352222S

**United States Patent** [19]  
**Fredrickson**

[11] **Patent Number: Des. 352,222**  
[45] **Date of Patent: \*\* Nov. 8, 1994**

- [54] **SECURITY UNIT FOR ATTACHMENT TO THE END OF MERCHANDISE DISPLAY HOOKS**
- [76] Inventor: **Howard J. Fredrickson, 4218 Mill Village Rd., Raleigh, N.C. 27612**
- [\*\*] Term: **14 Years**
- [21] Appl. No.: **11,874**
- [22] Filed: **Aug. 17, 1993**
- [52] U.S. Cl. .... **D8/331**
- [58] **Field of Search** ..... **D8/330-331, D8/333, 346; 70/14-19, 51-52, 57, 158**
- [56] **References Cited**  
**U.S. PATENT DOCUMENTS**
- 3,690,130 9/1972 Eutzler ..... 70/18
- 3,835,676 9/1974 Foote ..... 70/52
- 4,697,441 10/1987 Allen ..... 70/18 X
- 5,027,622 7/1991 Hatch et al. .... 70/14

5,275,027 1/1994 Eklof et al. .... 70/14

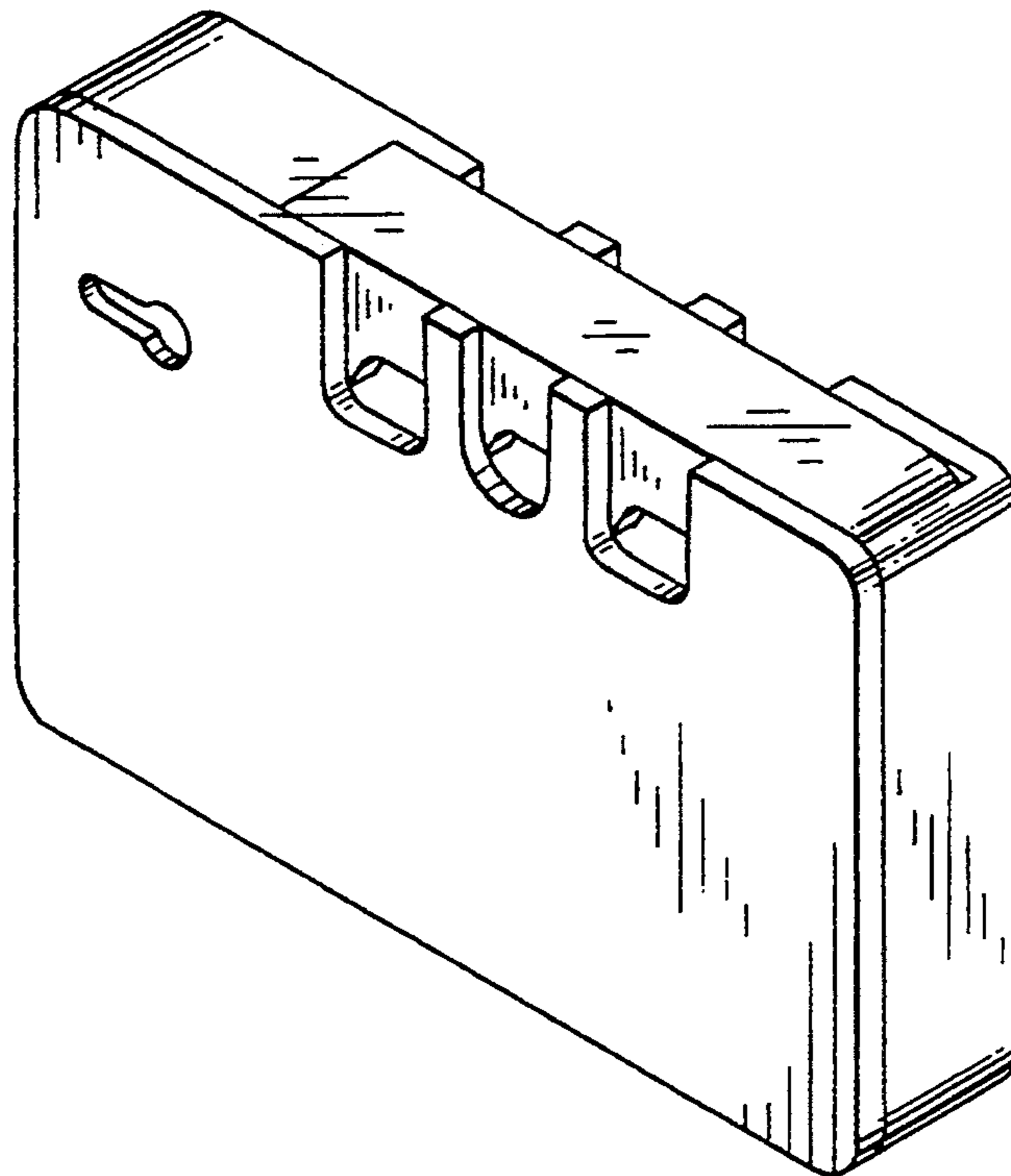
*Primary Examiner*—Brian N. Vinson  
*Attorney, Agent, or Firm*—Jacobson and Johnson

[57] **CLAIM**

The ornamental design for a security unit for attachment to the end of merchandise display hooks, as shown and described.

**DESCRIPTION**

FIG. 1 is a perspective view of a security unit for attachment to the end of merchandise display hooks, showing my design;  
FIG. 2 is a front elevation view;  
FIG. 3 is a right side elevation view;  
FIG. 4 is a top view;  
FIG. 5 is a bottom view; and,  
FIG. 6 is a rear view.  
The left side elevation view is a mirror image of the right as shown in FIG. 3.



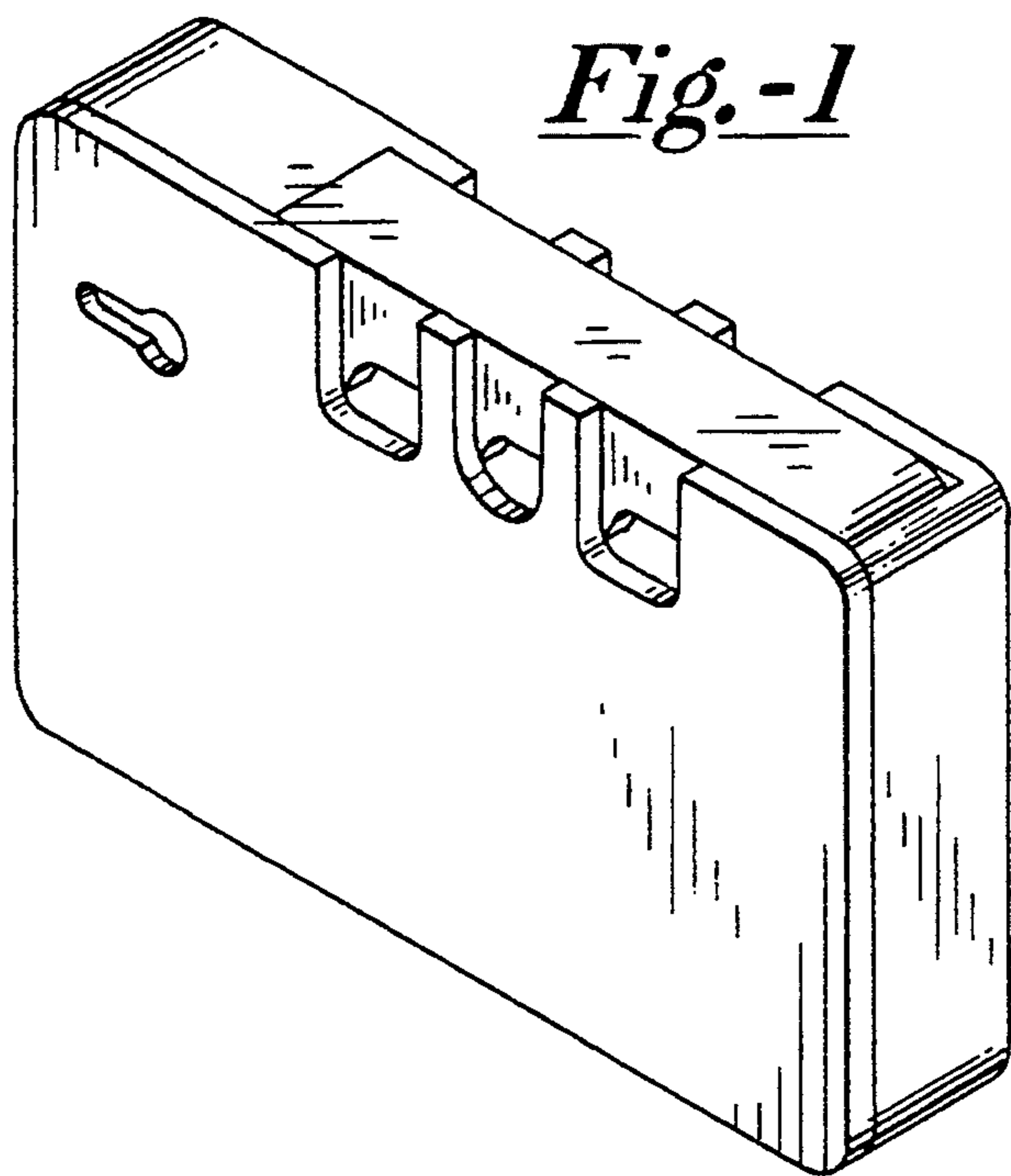


Fig.-2

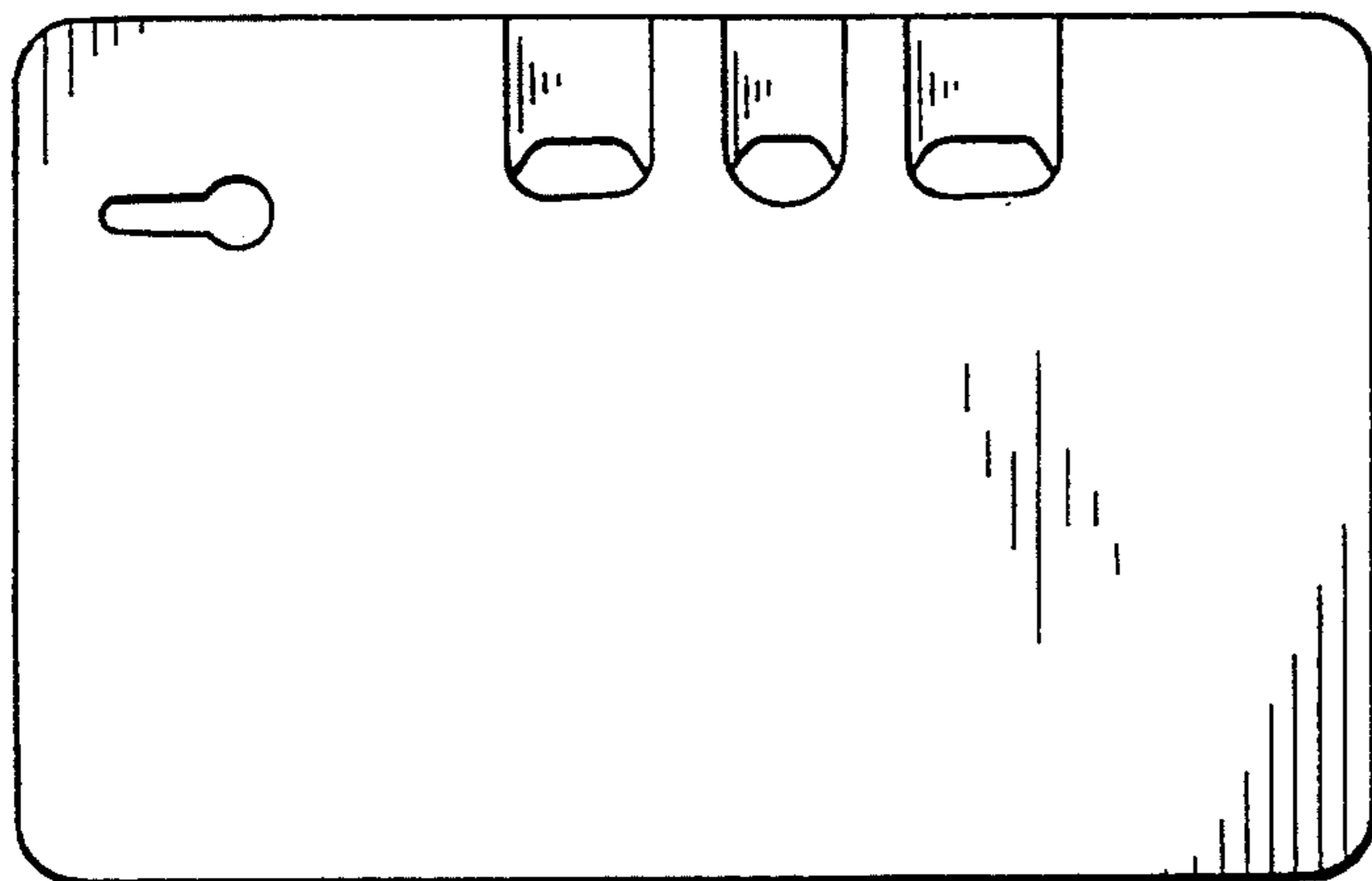


Fig.-3

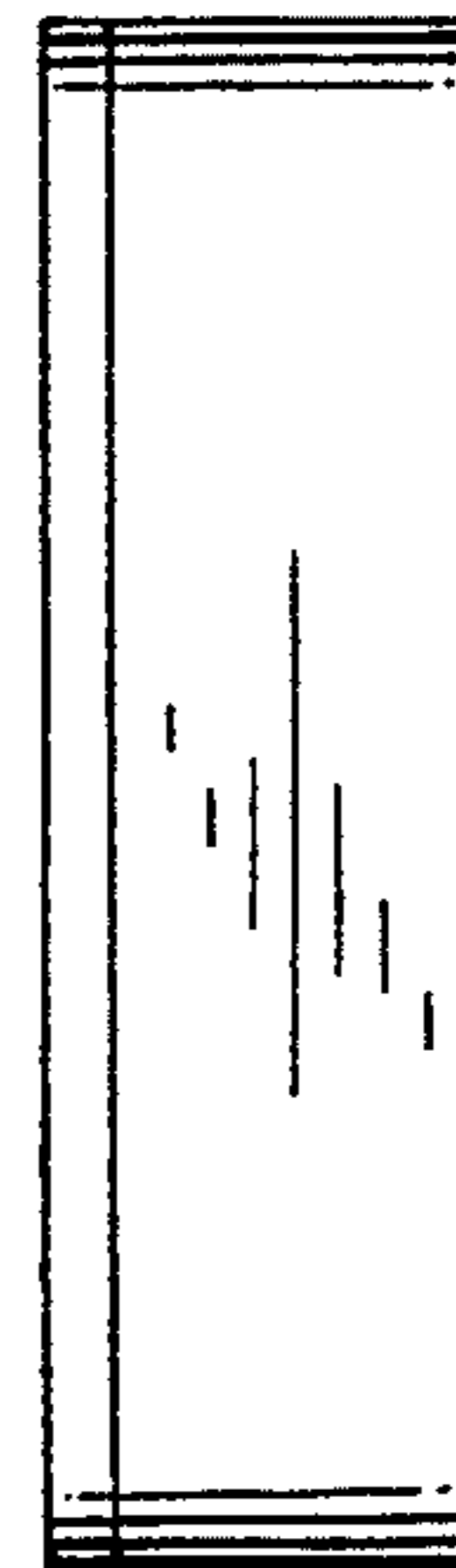


Fig.-4

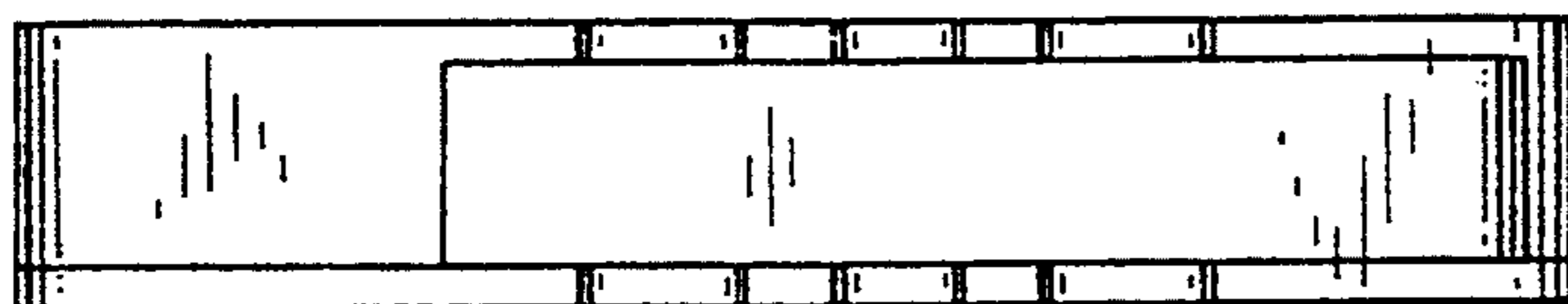


Fig.-5

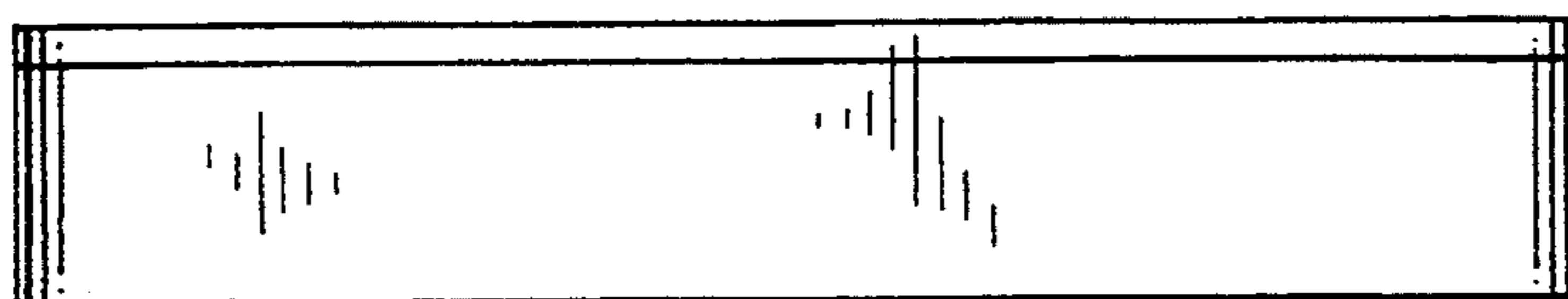


Fig.-6

