



US00D352220S

United States Patent [19] Schroeder

[11] Patent Number: **Des. 352,220**

[45] Date of Patent: **** Nov. 8, 1994**

[54] **PRY BAR**

[76] Inventor: **Tom Schroeder, Rte. 2 Box 307A,
Cushing, Tex. 75760**

[**] Term: **14 Years**

[21] Appl. No.: **6,777**

[22] Filed: **Apr. 7, 1993**

[52] U.S. Cl. **D8/89**

[58] Field of Search **D8/88, 89, 14; 254/25,
254/26; 7/166**

2,896,910 7/1959 Cooper et al. D8/89
 3,680,834 8/1972 Holloway 7/166
 3,813,081 5/1974 Alger 254/25

Primary Examiner—Bernard Ansher
Assistant Examiner—Philip Hyder
Attorney, Agent, or Firm—Hugh E. Smith

[57] **CLAIM**

The ornamental design for a pry bar, as shown and described.

DESCRIPTION

FIG. 1 is a front elevational view of the pry bar showing my new design;
 FIG. 2 is a rear elevational view thereof;
 FIG. 3 is a left side elevational view thereof;
 FIG. 4 is a right side elevational view thereof;
 FIG. 5 is an enlarged top plan view thereof;
 FIG. 6 is an enlarged bottom plan view thereof; and,
 FIG. 7 is an isometric view thereof.

[56] **References Cited**

U.S. PATENT DOCUMENTS

D. 59,371 10/1921 Nelson D8/89
 D. 164,705 10/1951 Moses D8/89
 D. 197,205 12/1963 Estwing D8/89
 D. 199,019 8/1964 Marson D8/89
 1,890,273 12/1932 Wells D8/89
 2,525,226 10/1950 Lawellin D8/89

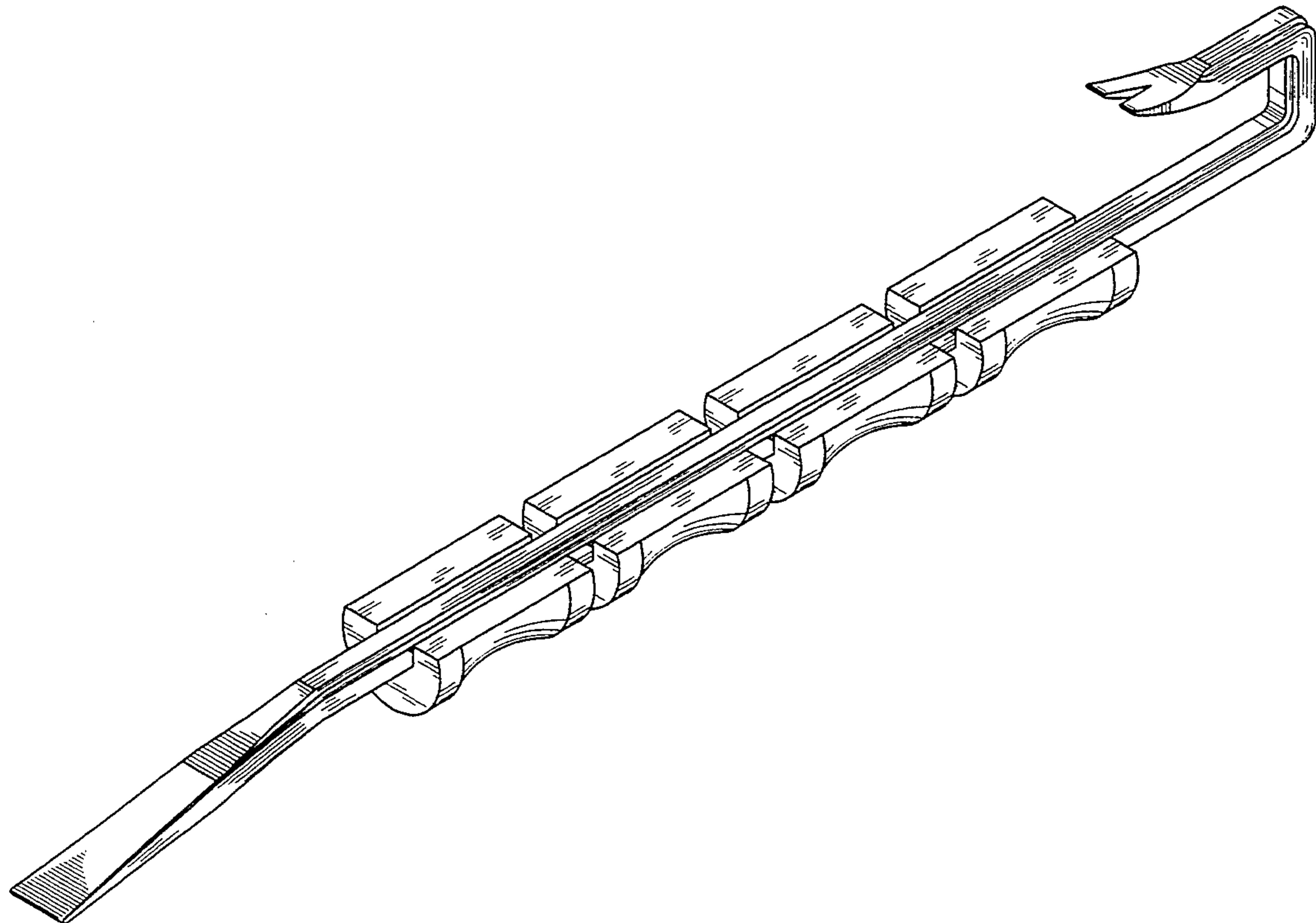


FIG. 1

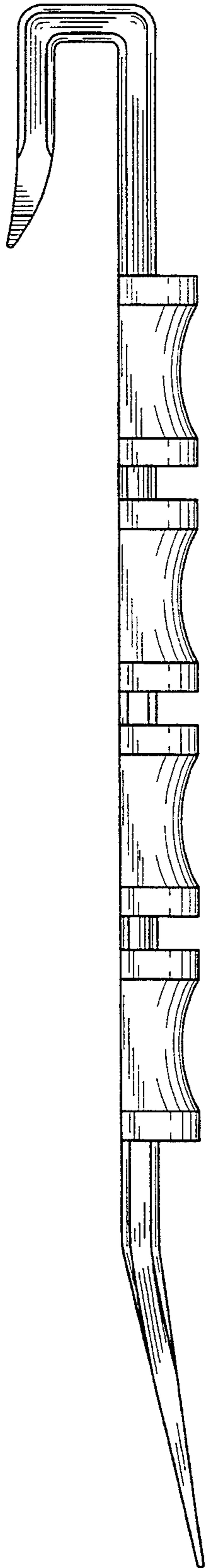


FIG. 2

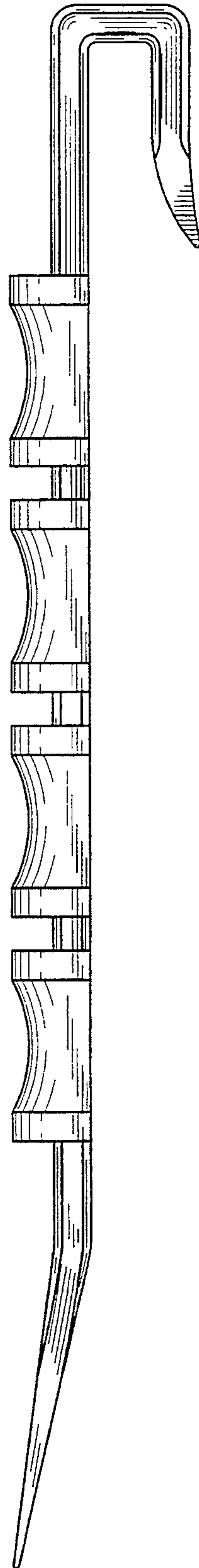


FIG. 3

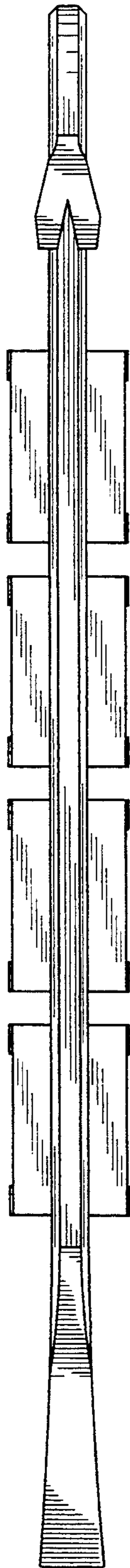


FIG. 4

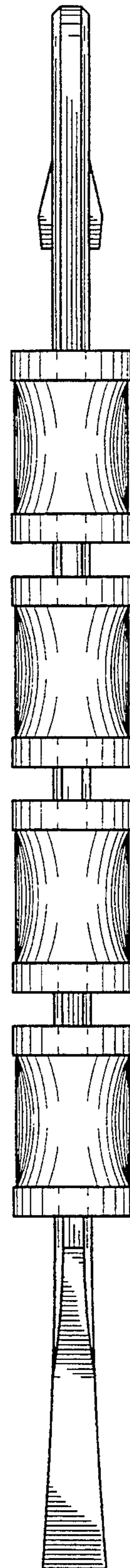


FIG. 5

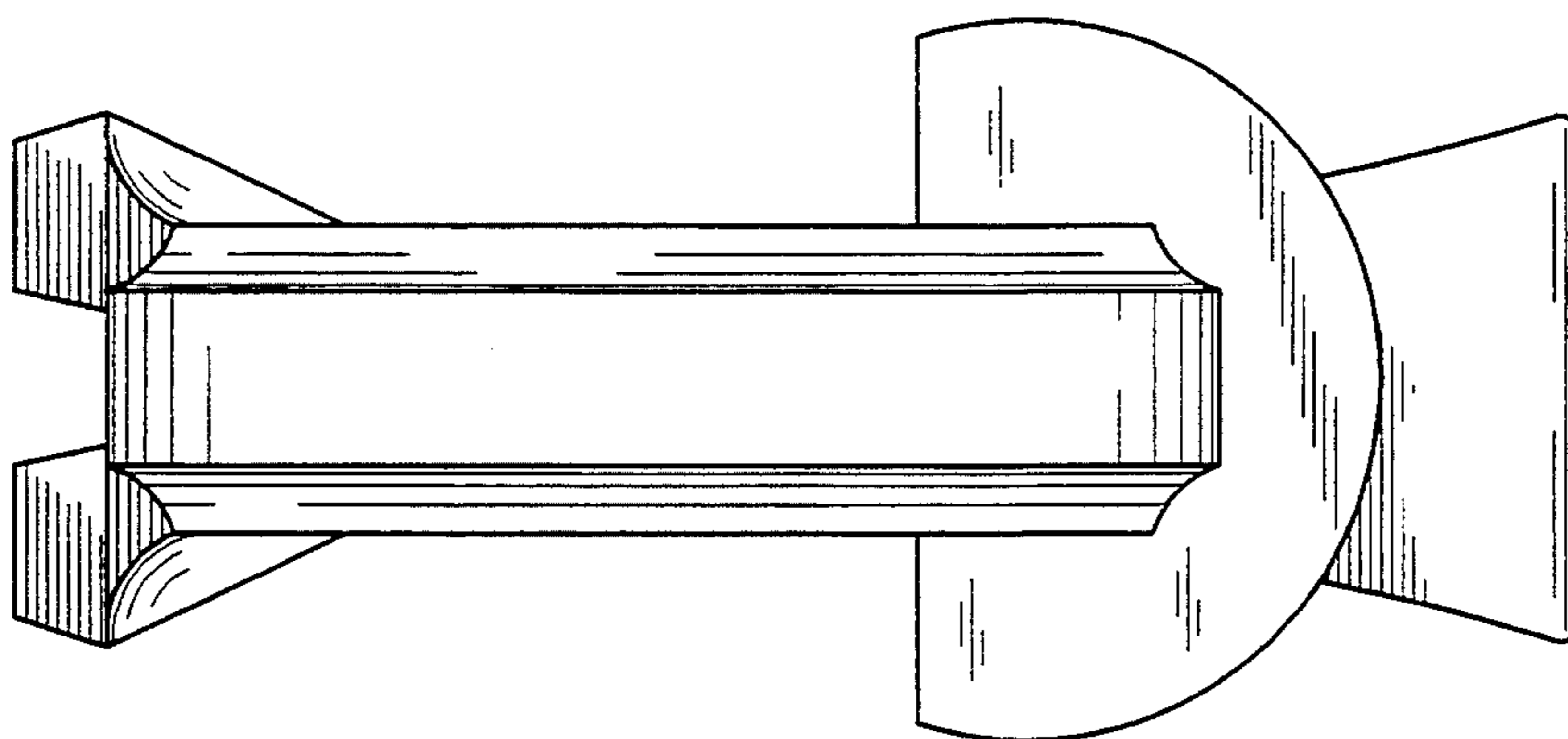
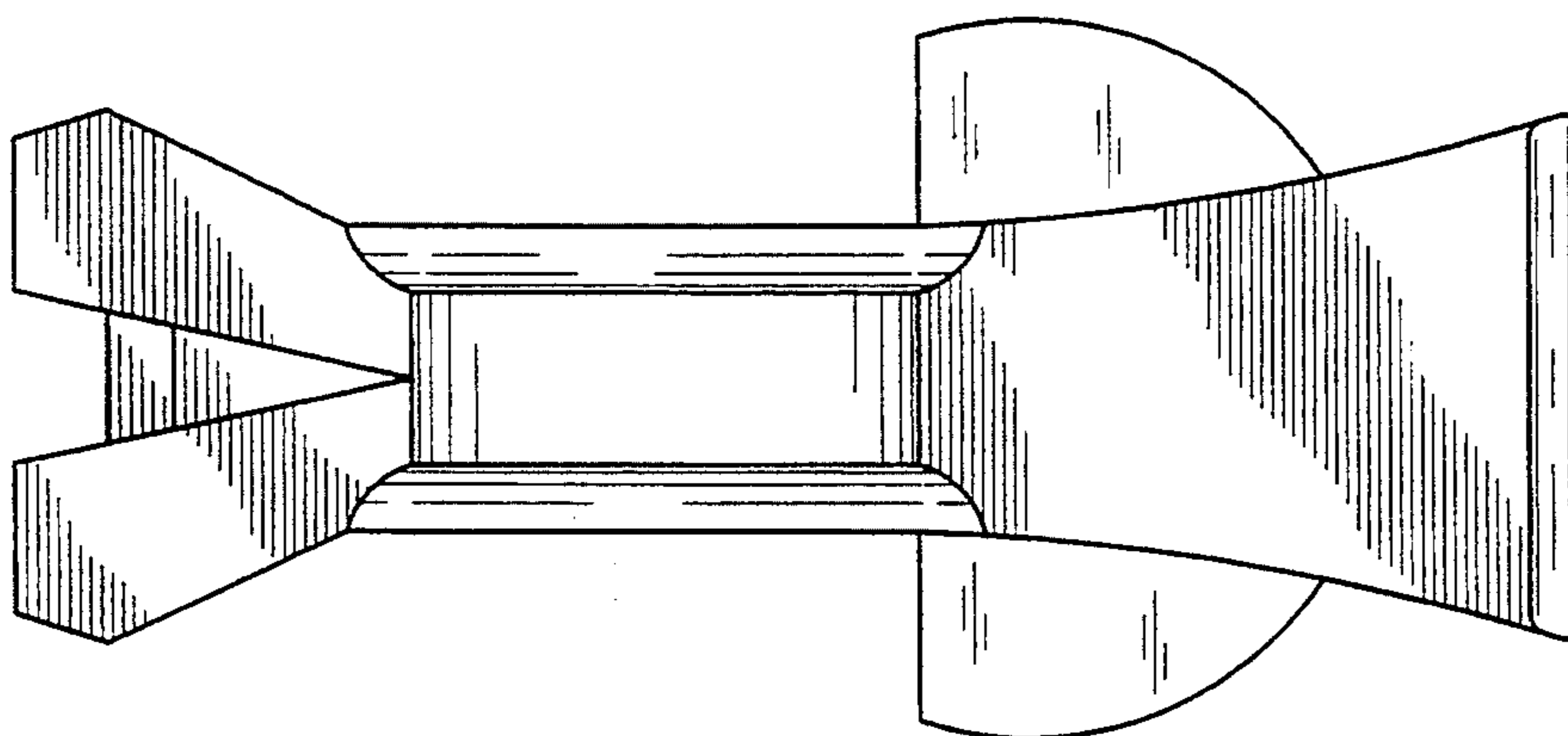


FIG. 6



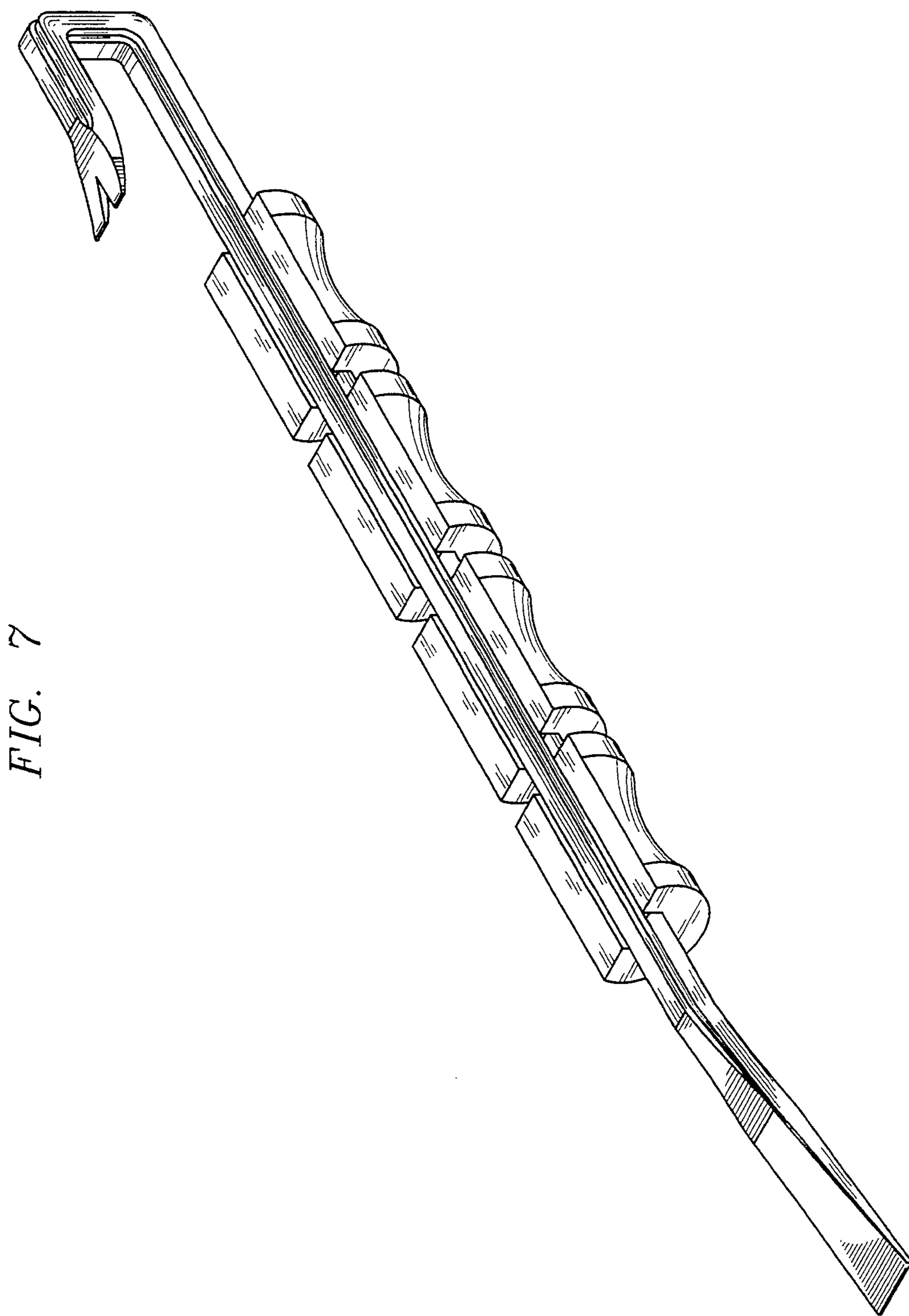


FIG. 7