



US00D352216S

**United States Patent** [19]  
**Liebenthal**

[11] **Patent Number: Des. 352,216**  
[45] **Date of Patent: \*\* Nov. 8, 1994**

[54] **COMBINED HAMMER AND WRENCH**  
[76] **Inventor: Jonathan W. Liebenthal, P.O. Box 39185, Niniichik, Ak. 99639**  
[\*\*] **Term: 14 Years**  
[21] **Appl. No.: 8,778**  
[22] **Filed: May 26, 1993**  
[52] **U.S. Cl. .... D8/26**  
[58] **Field of Search .... D8/22, 26, 81, 105; 7/107, 108, 125, 129, 130, 132, 137**

1,465,009 8/1923 Wasseth ..... 81/437  
1,941,565 1/1934 Mandl ..... 81/121.1  
2,869,409 1/1959 Swanstrom et al. .... 81/165  
4,234,987 11/1980 Charette ..... 7/143

*Primary Examiner*—Bernard Ansher  
*Assistant Examiner*—Mitchell I. Siegel  
*Attorney, Agent, or Firm*—Hugh E. Smith

[57] **CLAIM**

The ornamental design for a combined hammer and wrench, as shown and described.

**DESCRIPTION**

FIG. 1 is a front elevational view of the combined hammer and wrench showing my new design;  
FIG. 2 is a rear elevational view thereof;  
FIG. 3 is a left side elevational view thereof;  
FIG. 4 is a right side elevational view thereof;  
FIG. 5 is a top plan view thereof;  
FIG. 6 is a bottom plan view thereof; and,  
FIG. 7 is an isometric view thereof.

[56] **References Cited**  
**U.S. PATENT DOCUMENTS**

D. 172,968 9/1954 Iskyan ..... D8/22  
D. 208,068 7/1967 Rando ..... D8/22  
D. 255,539 6/1980 Graham ..... D8/22  
D. 274,032 5/1984 Lai ..... D8/105  
D. 281,216 11/1985 Cutliff et al. .... D8/26  
1,307,018 6/1919 Nomeland ..... D8/26  
1,453,155 4/1923 Martinez ..... 81/437

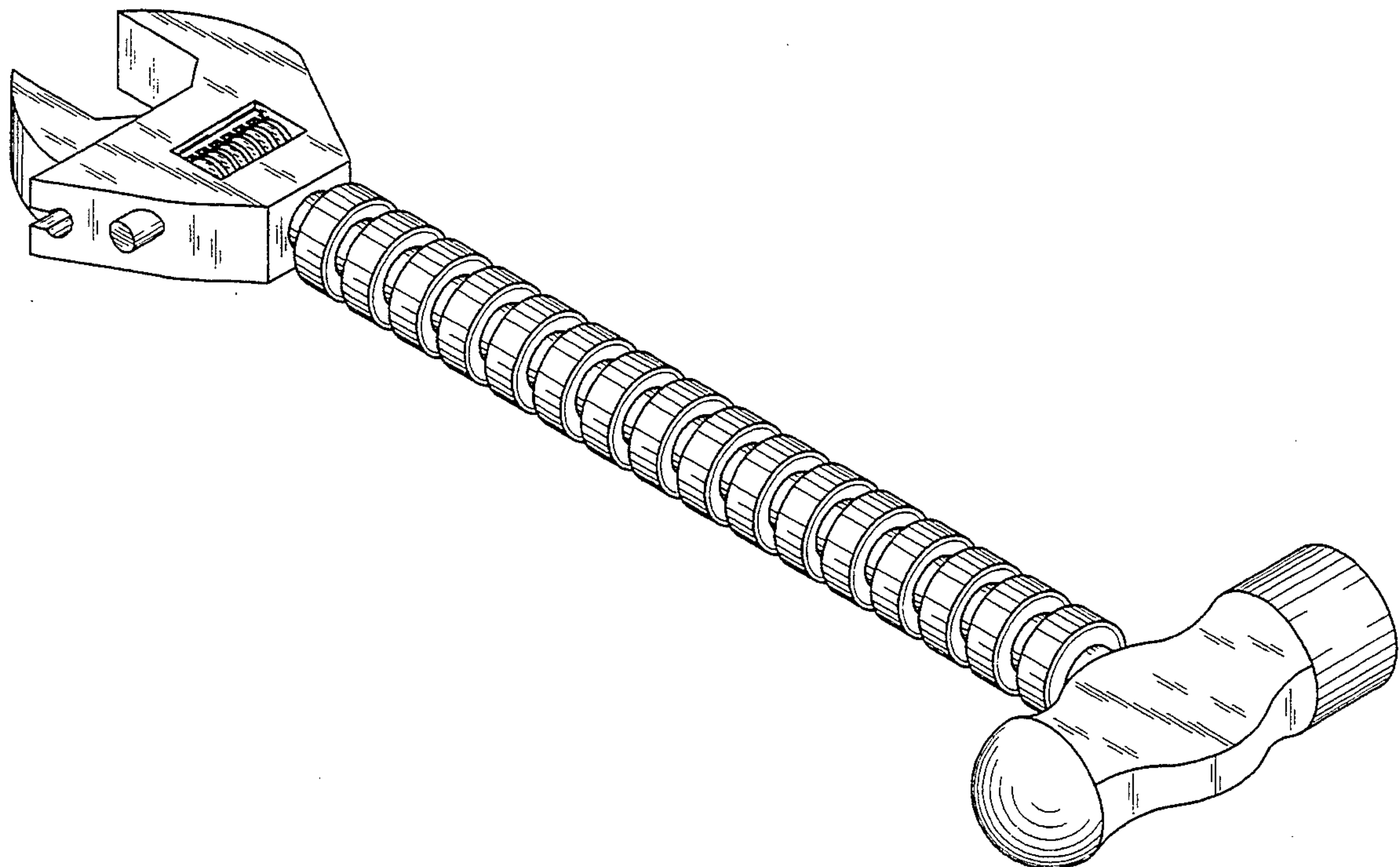


FIG. 1

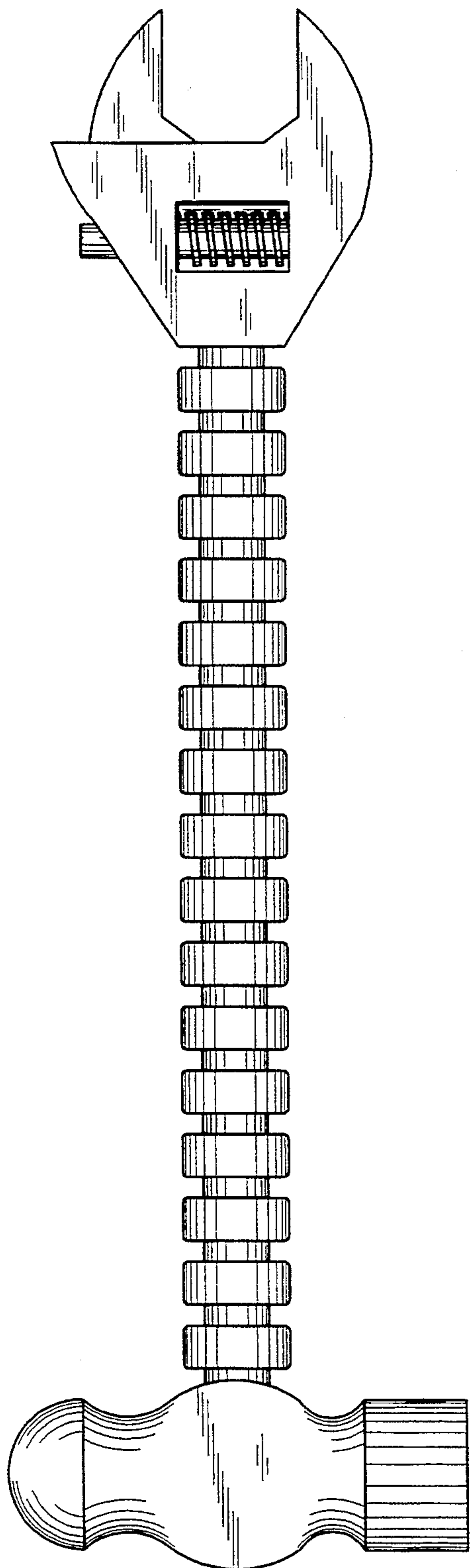


FIG. 2

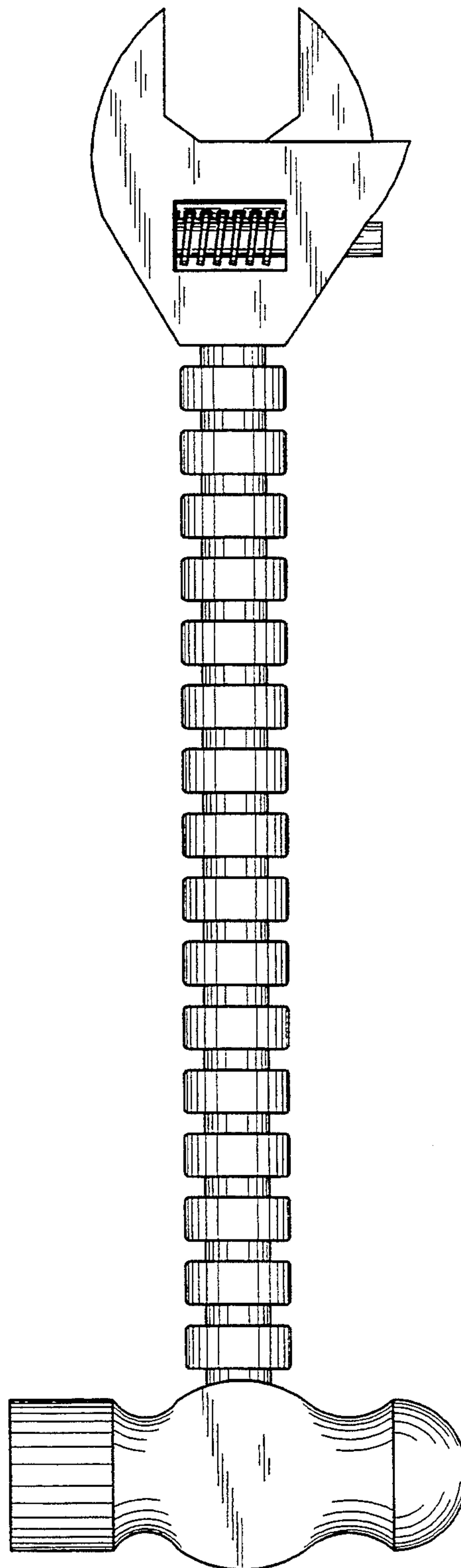


FIG. 3

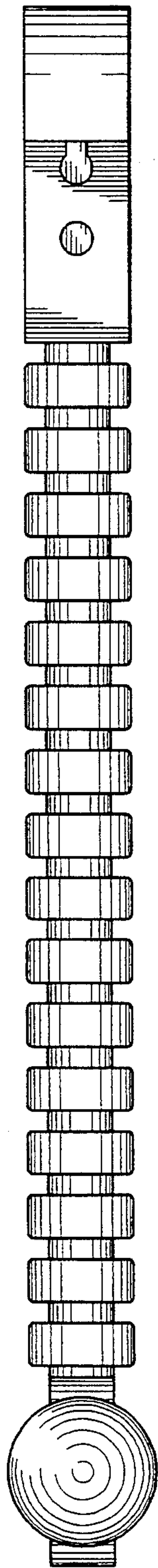
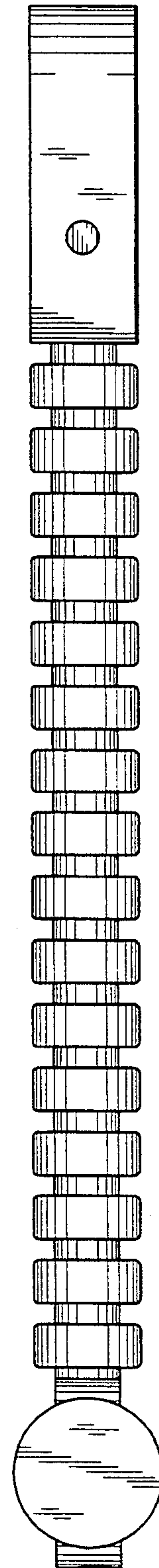
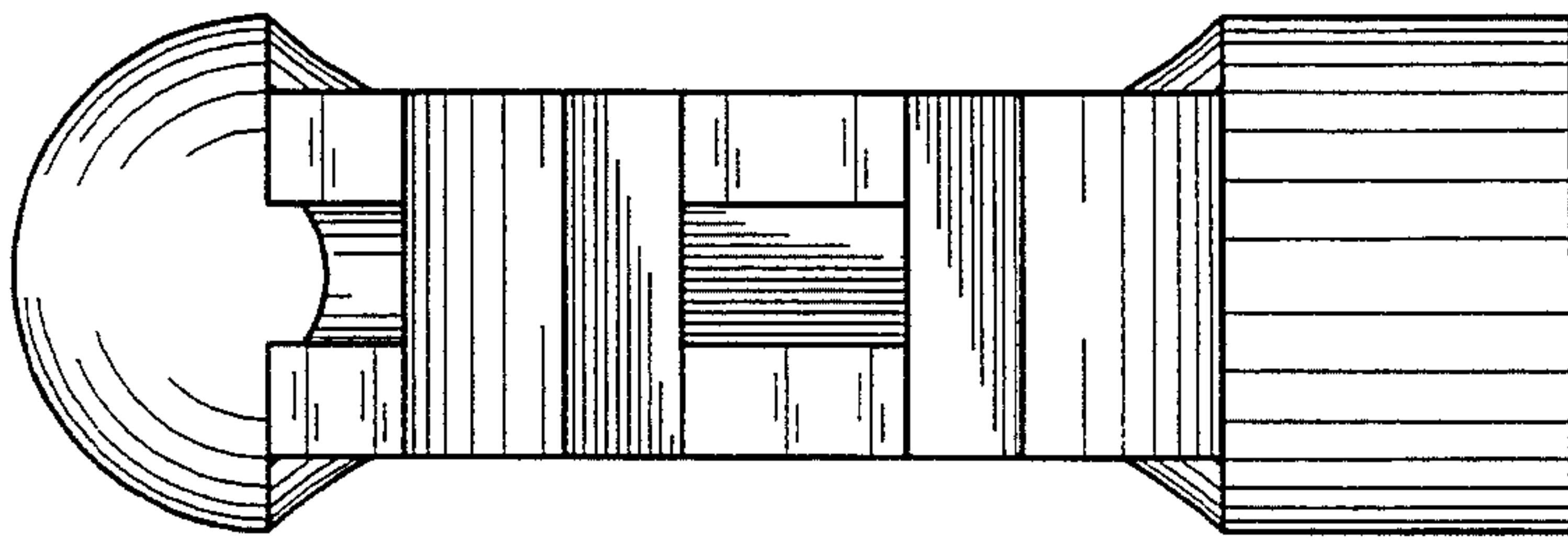


FIG. 4



*FIG. 5*



*FIG. 6*

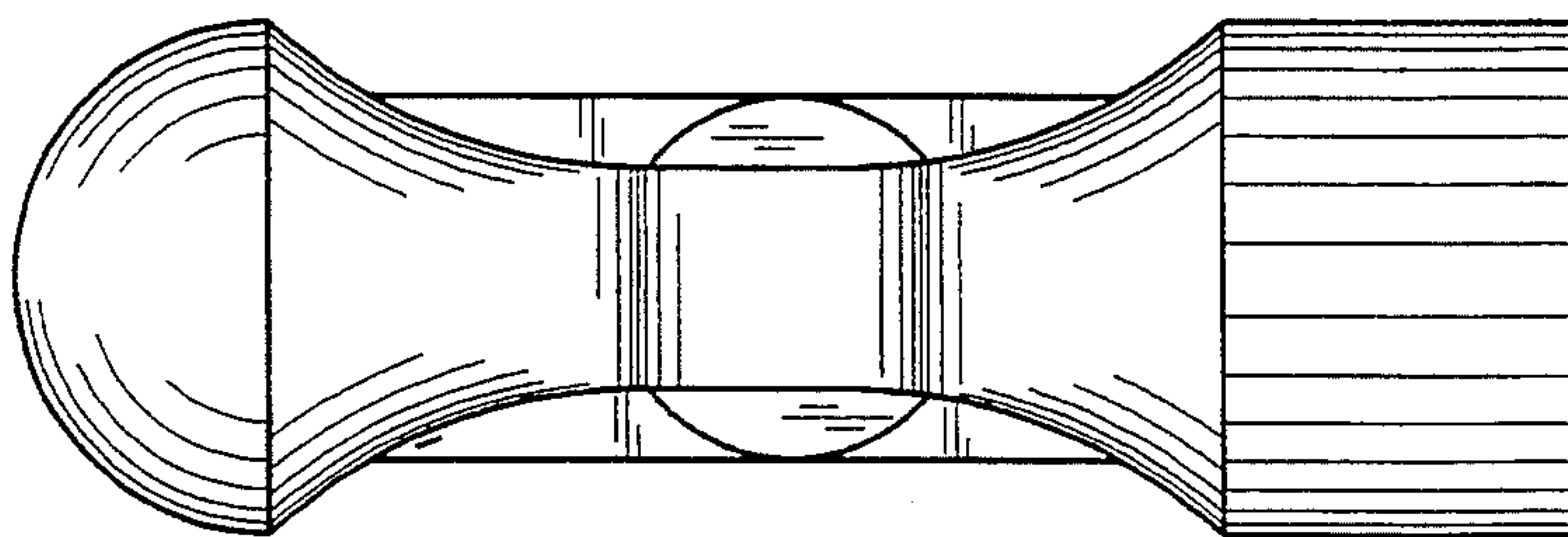




FIG. 7

