



US00D352214S

United States Patent [19]

[11] Patent Number: **Des. 352,214**

Kiyooka et al.

[45] Date of Patent: **** Nov. 8, 1994**

[54] **BUSH CUTTER**

[75] Inventors: **Katsumi Kiyooka, Tougane; Kouichi Shinotsuka; Kaori Katoh**, both of Chiba, all of Japan

[73] Assignee: **Maruyama Mfg. Co., Inc.**, Tokyo, Japan

[**] Term: **14 Years**

[21] Appl. No.: **5,011**

[22] Filed: **Feb. 17, 1993**

[30] **Foreign Application Priority Data**

Aug. 19, 1992 [JP]	Japan	4-24393
Aug. 19, 1992 [JP]	Japan	4-24394
Aug. 19, 1992 [JP]	Japan	4-24395

[52] U.S. Cl. **D8/8**

[58] Field of Search **D8/8; 56/12.7; D15/16, D15/10**

[56] **References Cited**

U.S. PATENT DOCUMENTS

D. 187,663	4/1960	Ellison	D8/8
D. 290,365	6/1987	Hatano et al.	D15/10
D. 303,671	9/1989	Kiyooka et al.	D15/10
D. 323,330	1/1992	Wada et al.	D15/16 X
D. 326,270	5/1992	Wada et al.	D15/16
4,097,991	7/1978	Proulx	56/127 X
4,179,805	12/1979	Yamada	D15/16 X
4,881,363	11/1989	Terai et al.	56/255

Primary Examiner—Wallace R. Burke

Assistant Examiner—H. Baynham

Attorney, Agent, or Firm—Cushman, Darby & Cushman

[57] **CLAIM**

The ornamental design for a bush cutter, as shown and described.

DESCRIPTION

FIG. 1 is a front elevational view of a bush cutter embodying our design;

FIG. 2 is a right side elevational view thereof;

FIG. 3 is a rear elevational view thereof;

FIG. 4 is a left side elevational view thereof;

FIG. 5 is a top plan view thereof;

FIG. 6 is a bottom plan view thereof;

FIG. 7 is a front elevational view of a second embodiment of the design shown in FIG. 1 with rear view being a mirror image thereof;

FIG. 8 is a right side elevational view thereof;

FIG. 9 is a top plan view thereof;

FIG. 10 is a front elevational view of a third embodiment of the design shown in FIG. 1 with the rear view being a mirror image thereof;

FIG. 11 is a right side elevational view thereof;

FIG. 12 is a top plan view thereof;

FIG. 13 is an opposite side elevational view taken from the left of FIG. 7; and,

FIG. 14 is an opposite side elevational view taken from the left of FIG. 10.

The bottom plan views of the second and third embodiment are identical to FIG. 6 except the position of the shaft will vary.

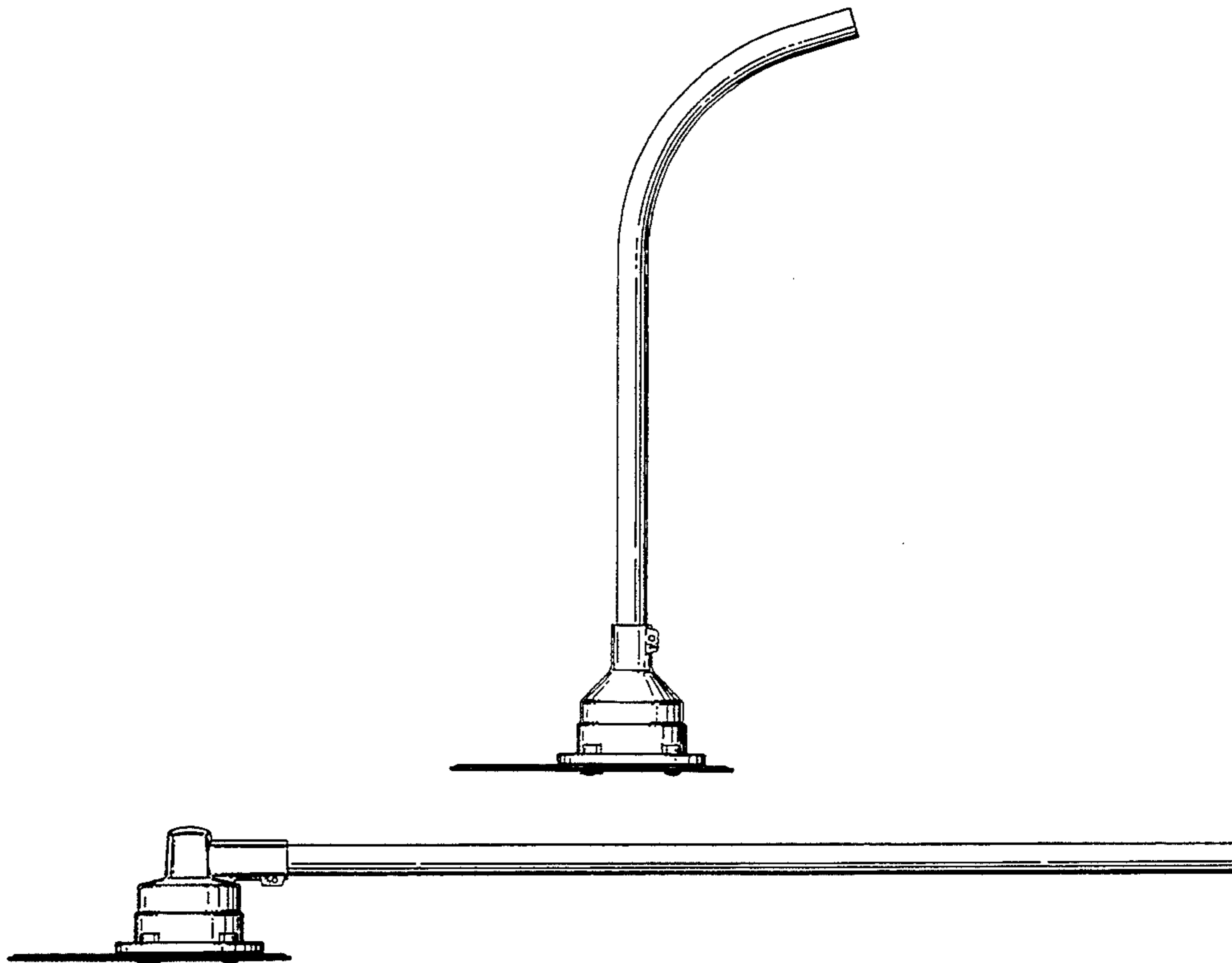


FIG. 1

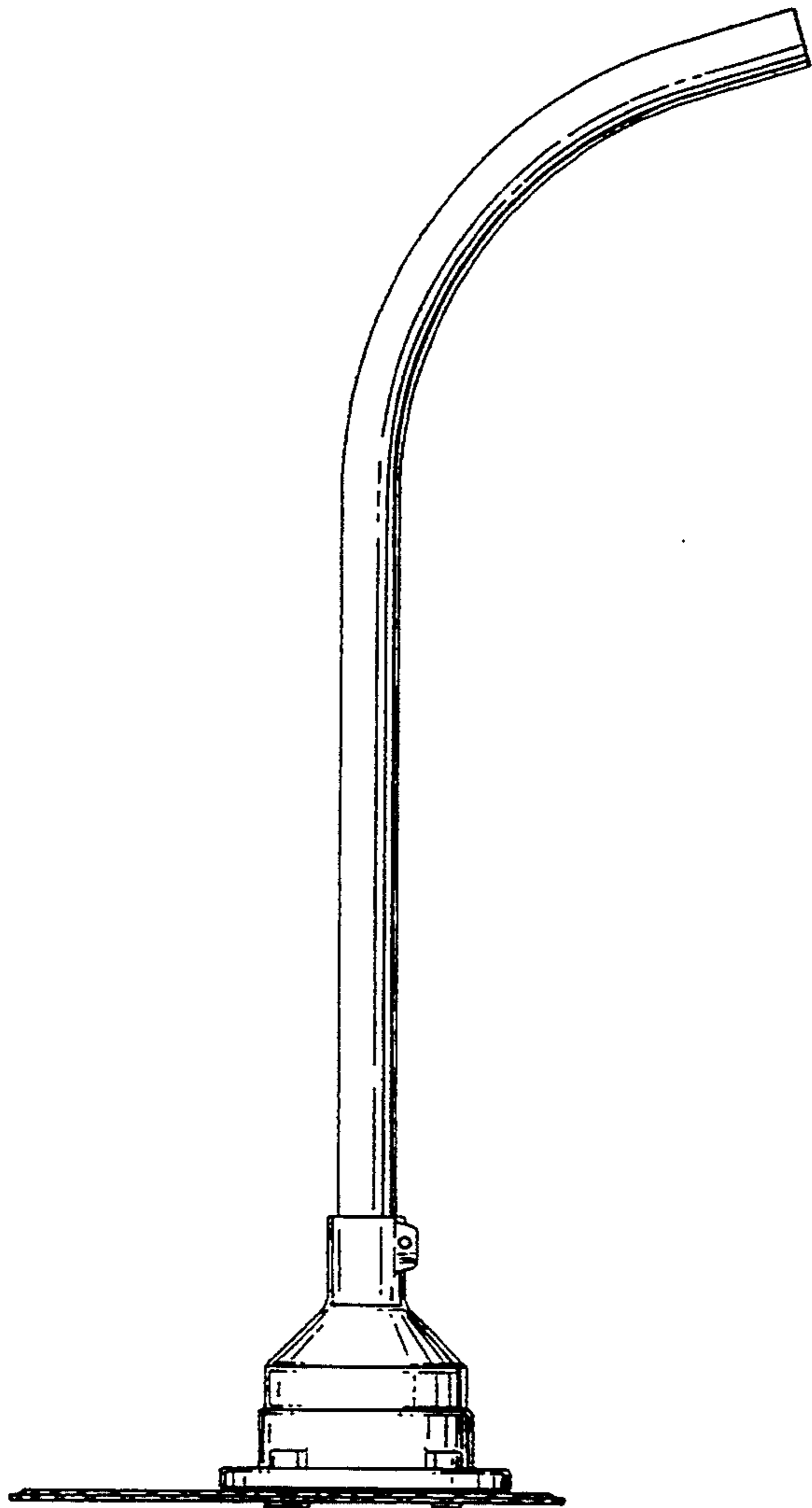


FIG. 2

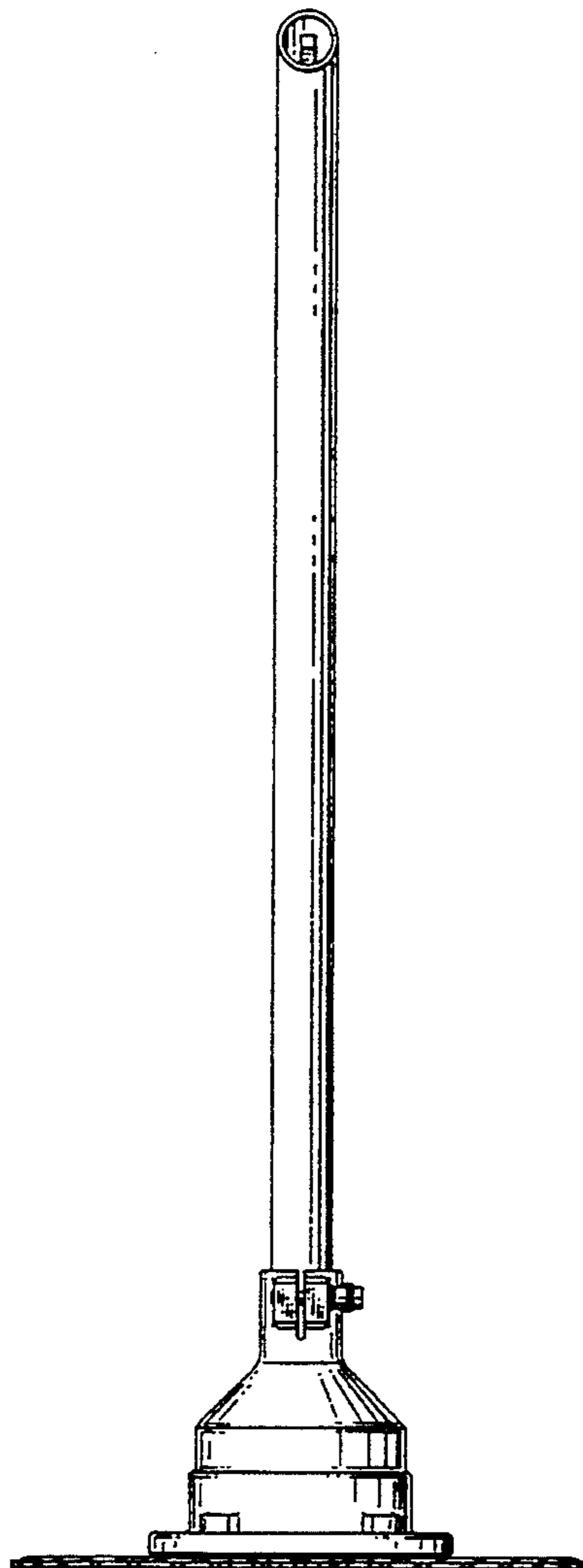


FIG. 5

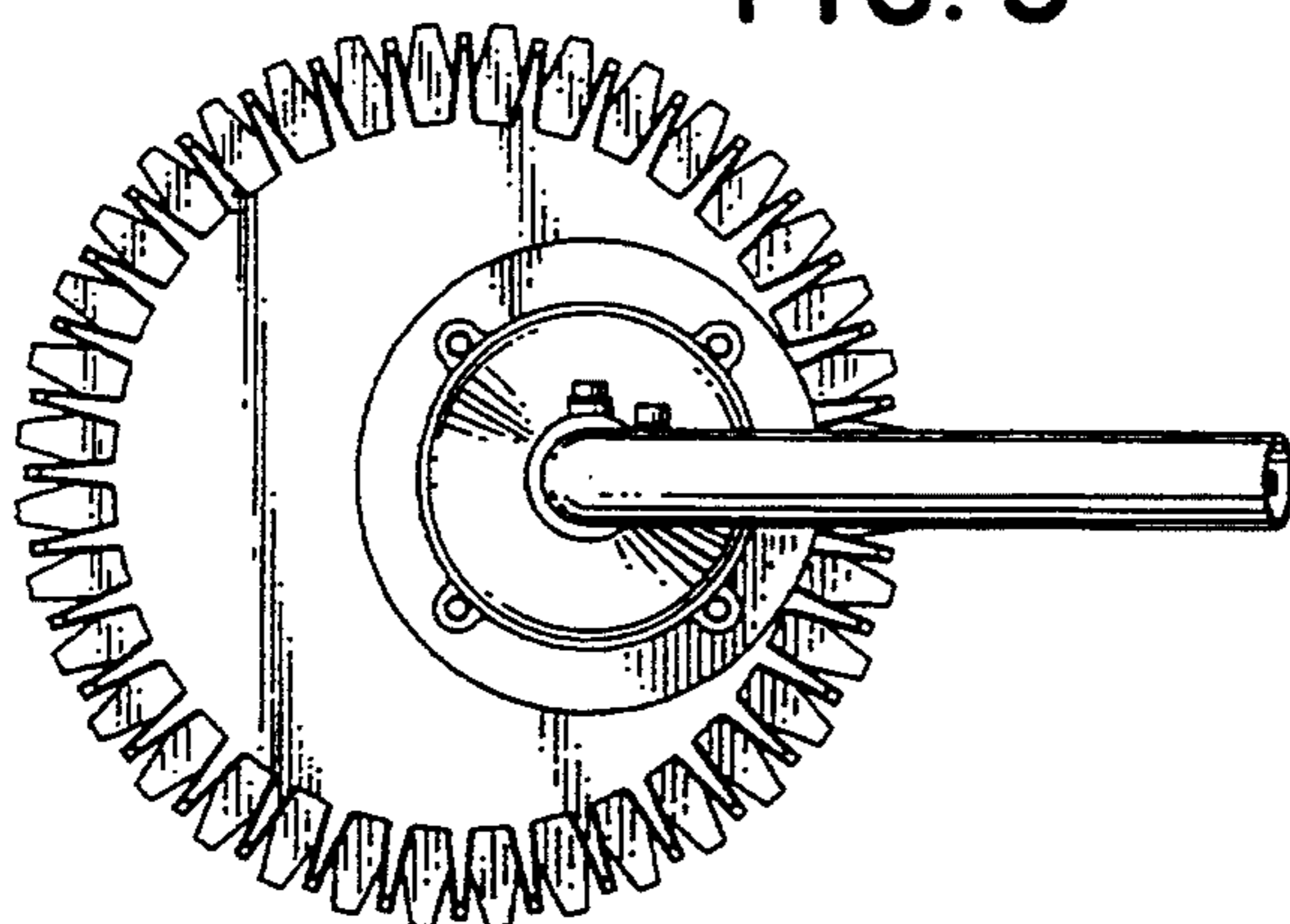


FIG. 4

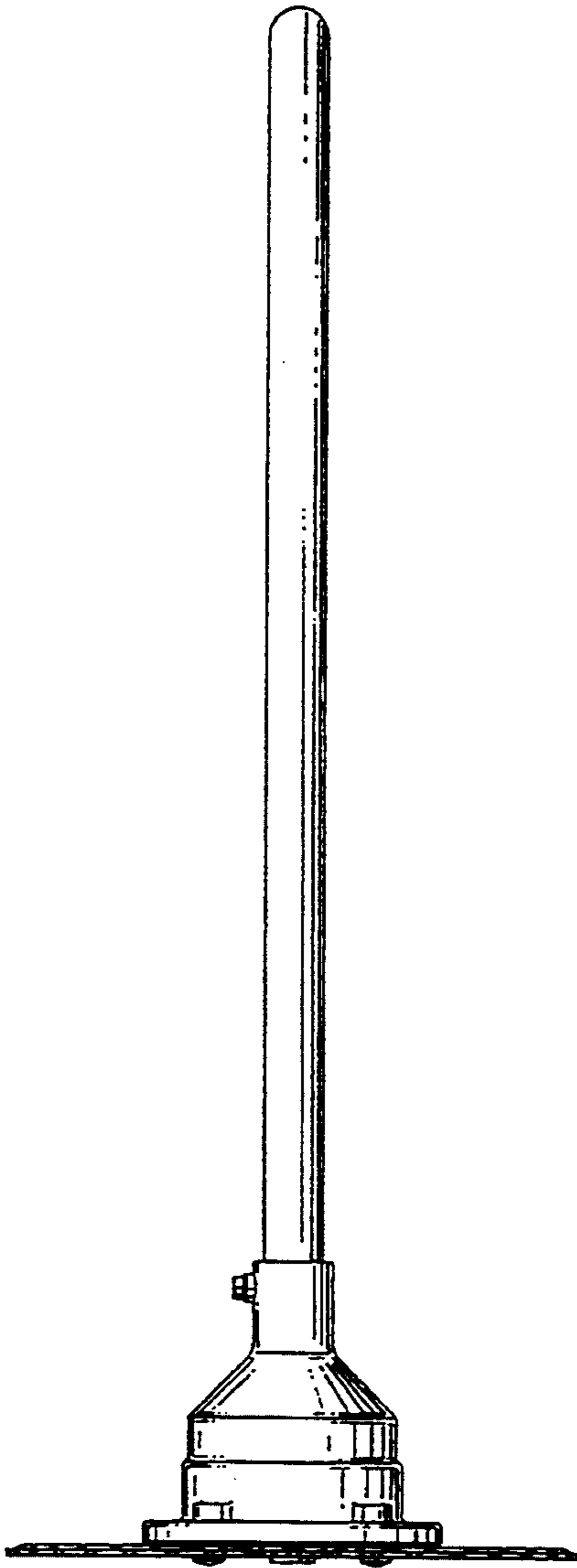


FIG. 3

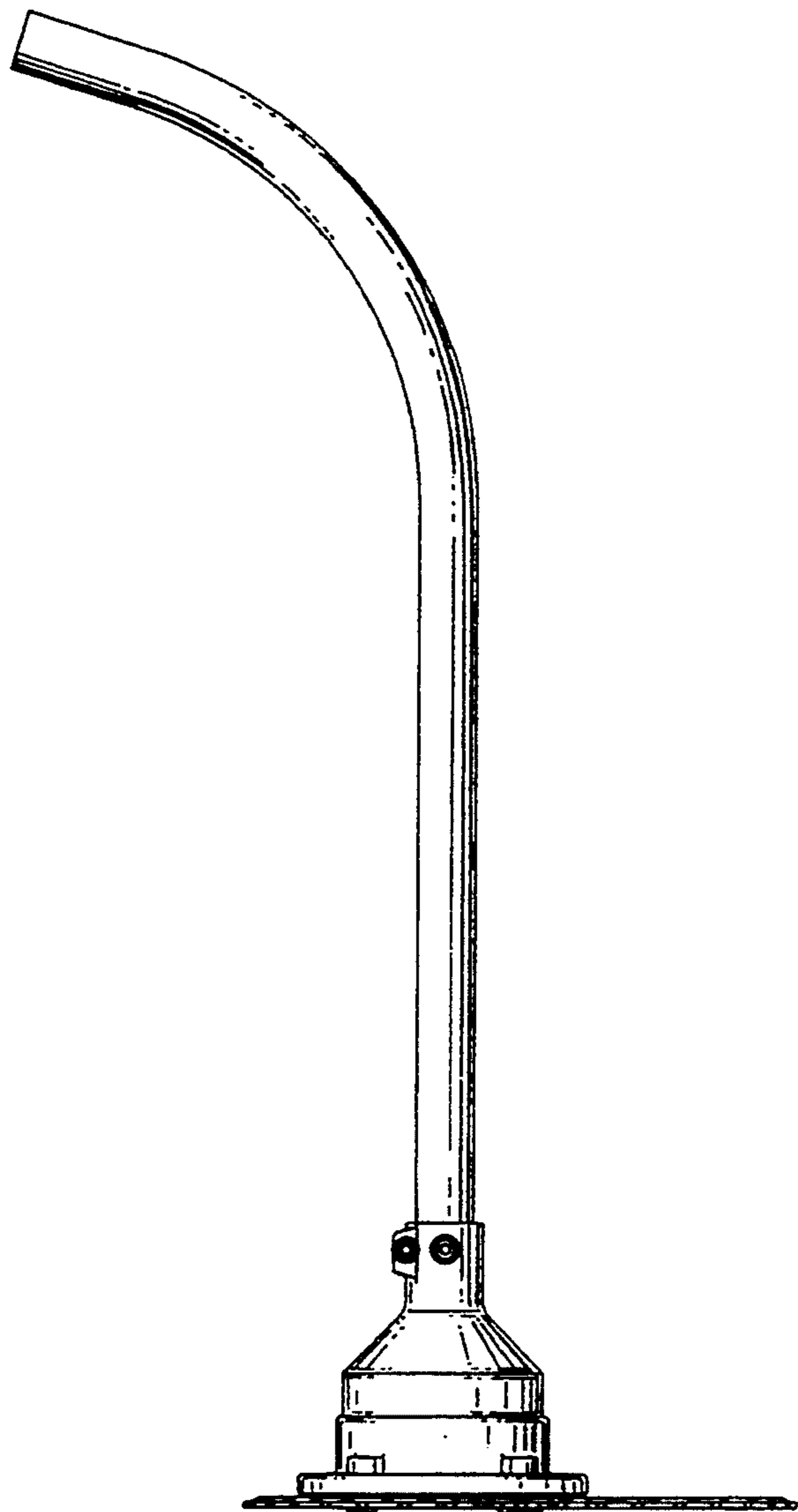


FIG. 6

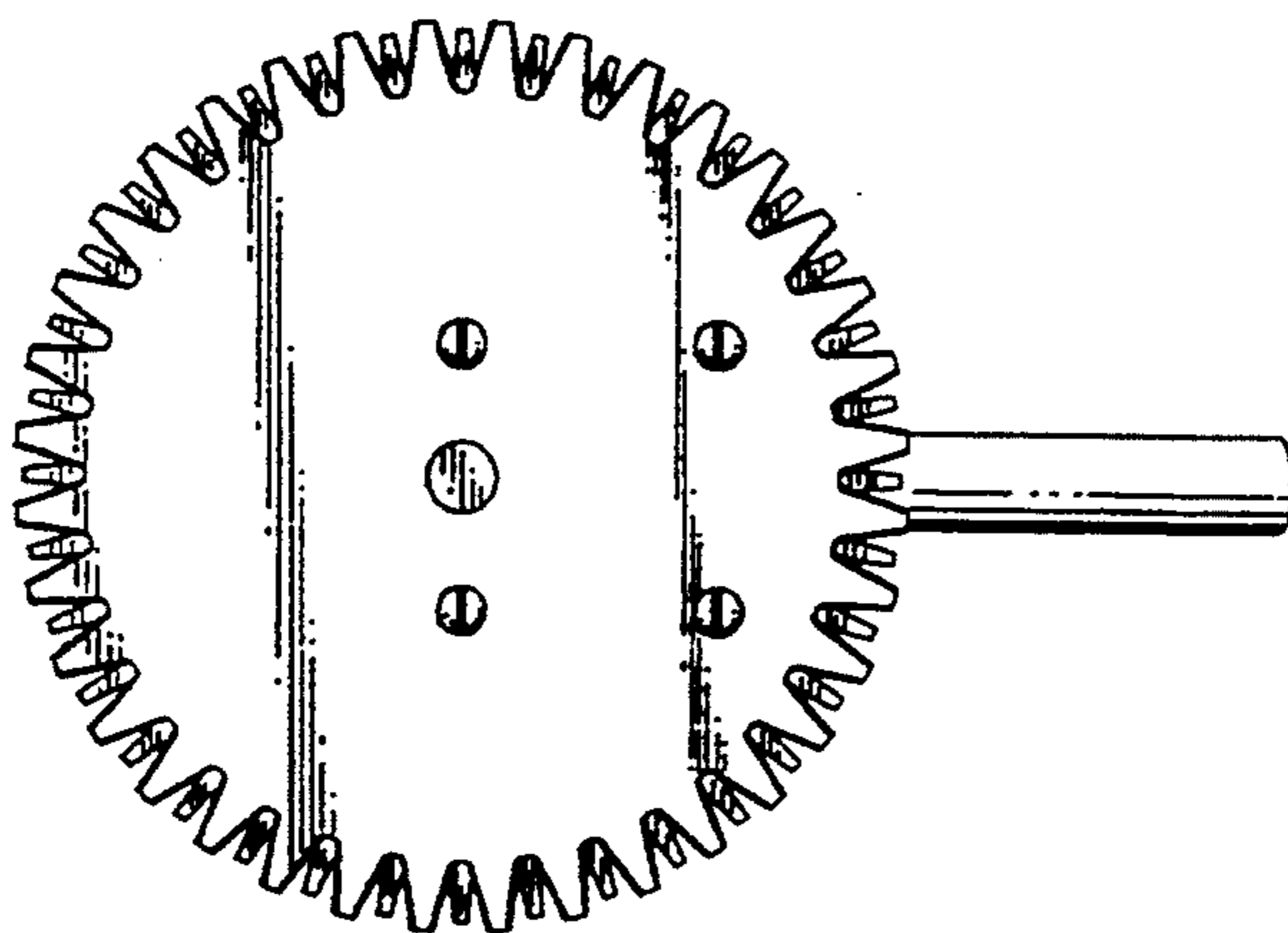


FIG. 7

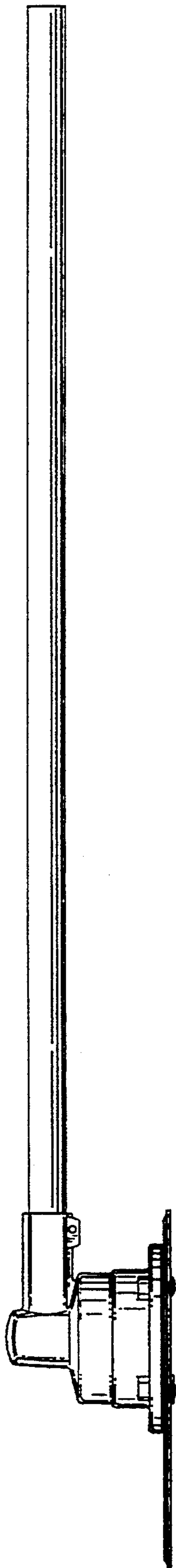


FIG. 8

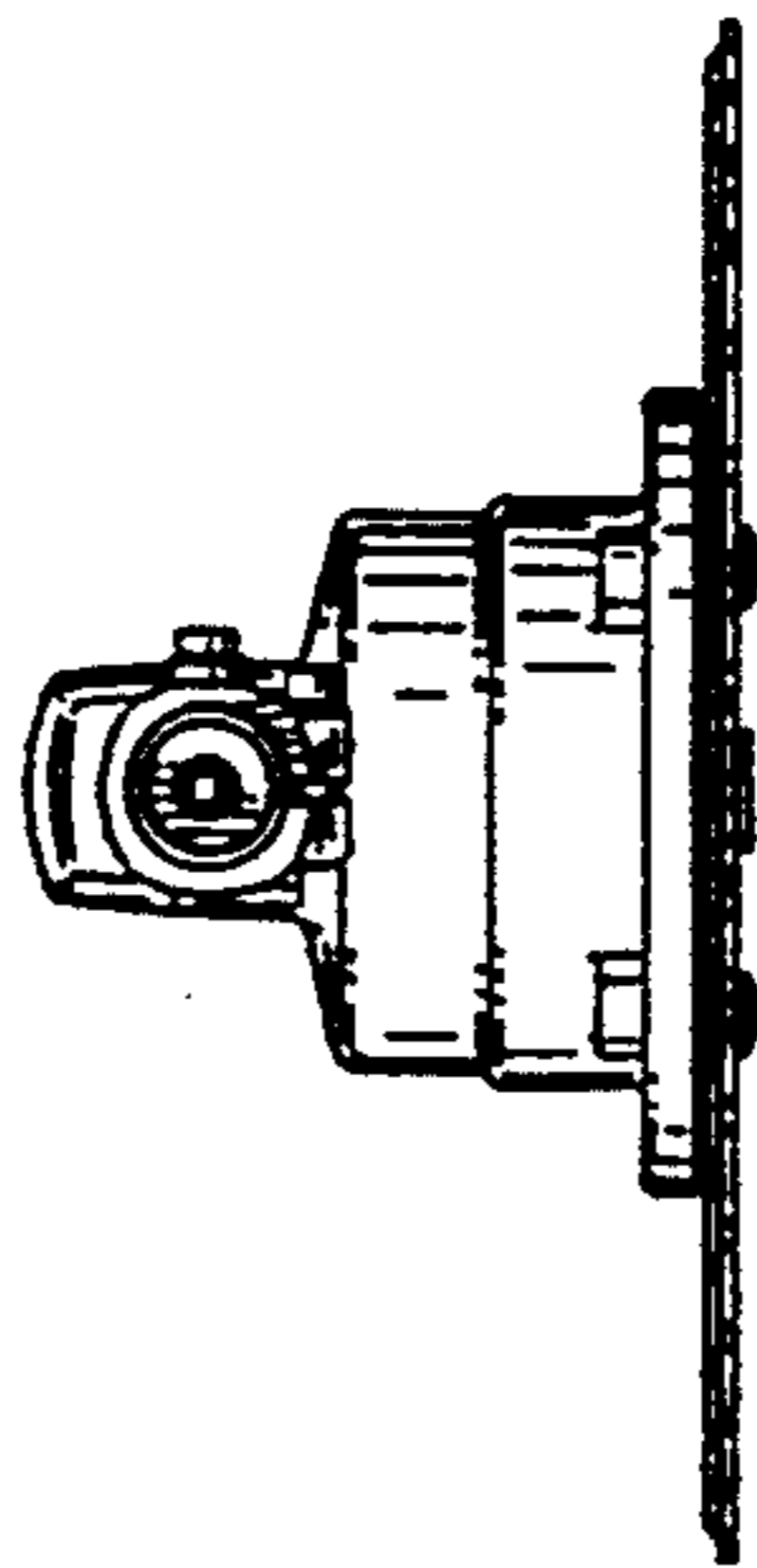


FIG. 9

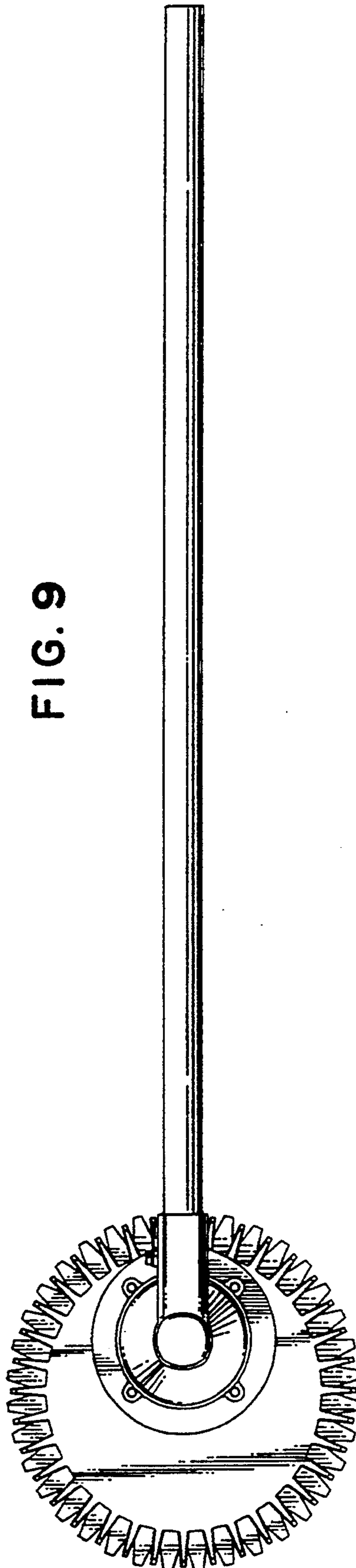


FIG. 10

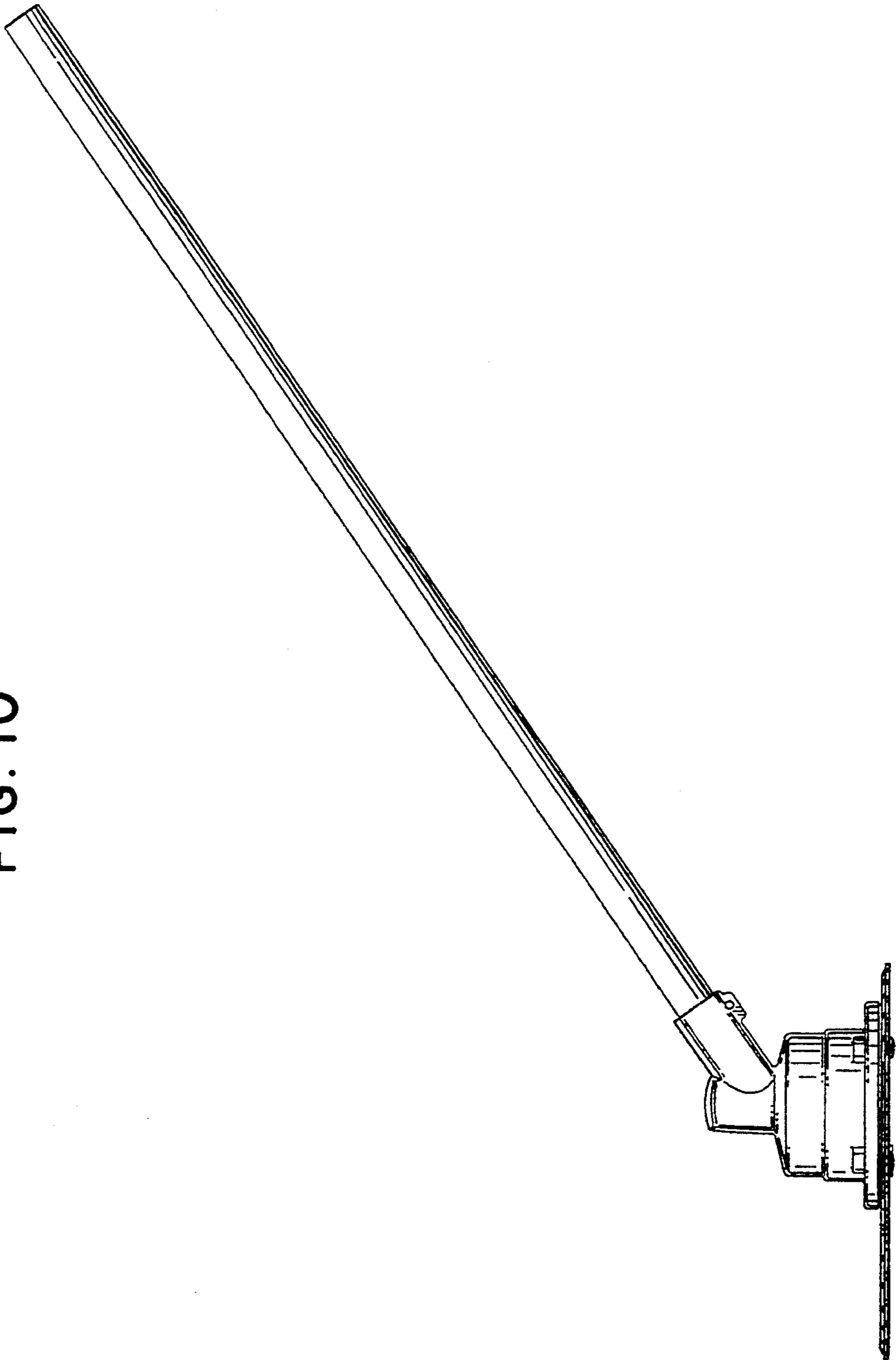


FIG. 11

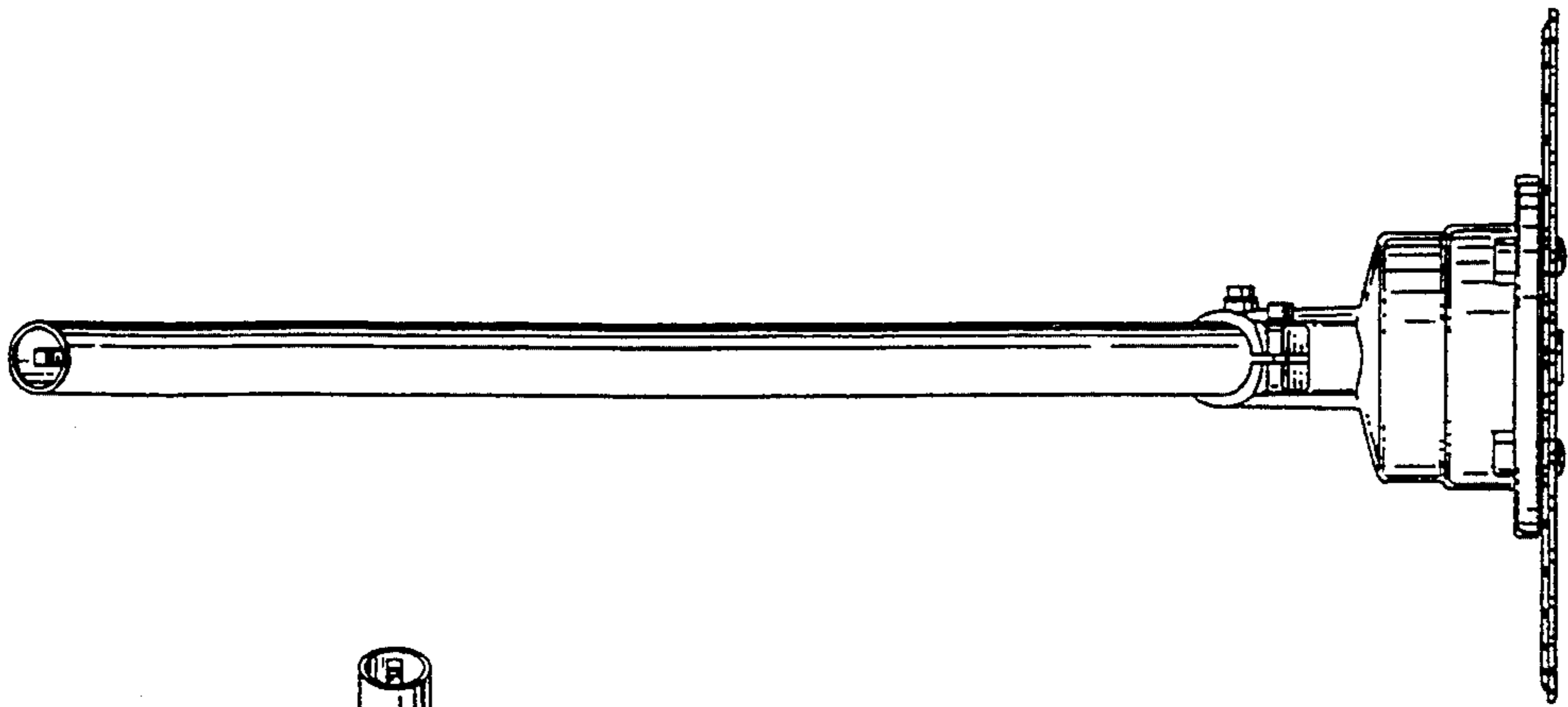


FIG. 12

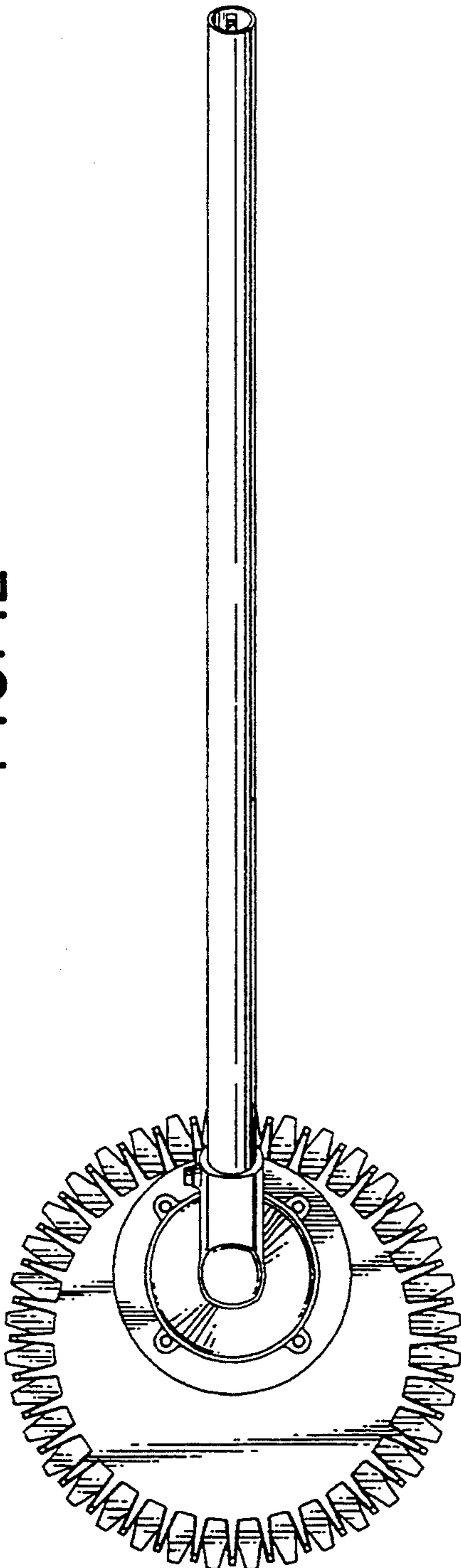


FIG. 13

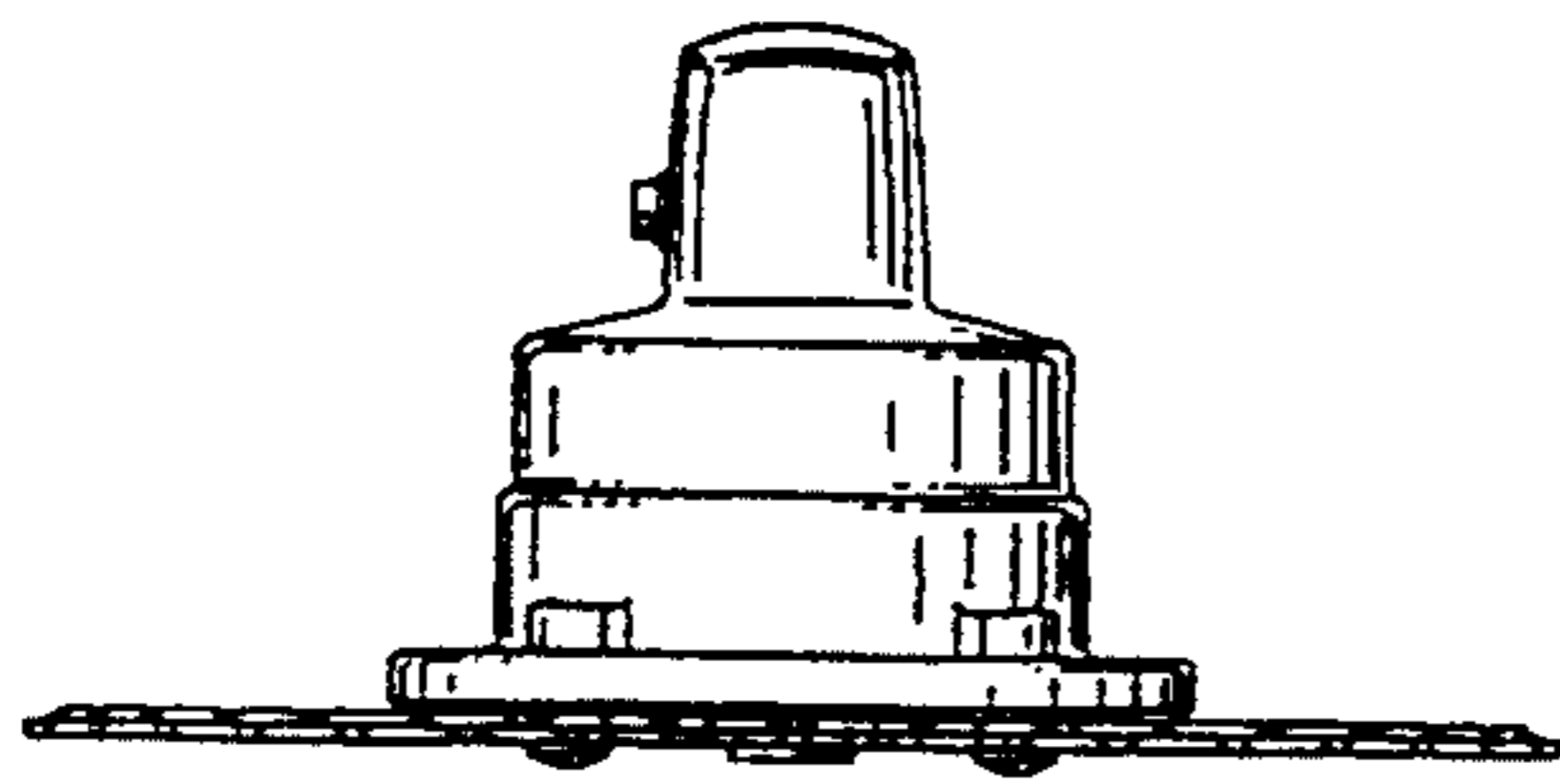


FIG. 14

