



US00D352213S

United States Patent [19]

[11] Patent Number: **Des. 352,213**

Keven

[45] Date of Patent: **** Nov. 8, 1994**

[54] **COMBINED CUP HOLDER AND UTILITY TRAY**

D. 322,512 12/1991 Andrykovitz D12/420
2,574,250 11/1951 Dalton 224/42.45 R
5,259,580 11/1993 Anderson et al. 224/42.45 R

[76] Inventor: **Russell Keven, 1435 Koll Cir., Ste. 109, San Jose, Calif. 95112**

Primary Examiner—Terry A. Wallace
Attorney, Agent, or Firm—Blakely, Sokoloff, Taylor and Zafman

[**] Term: **14 Years**

[21] Appl. No.: **9,283**

[57] **CLAIM**

[22] Filed: **Jun. 9, 1993**

The ornamental design for a combined cup holder and utility tray, as shown and described.

[52] U.S. Cl. **D7/701; D12/420**

[58] Field of Search **D7/701-708, D7/505, 550, 553; 108/44, 46; 206/562, 564; 211/71, 74, 75; 224/273, 42, 45 R; 248/311.2; D12/419-420**

DESCRIPTION

FIG. 1 is a perspective view of a combined cup holder and utility tray showing my new design;
FIG. 2 is a top view thereof;
FIG. 3 is a bottom view thereof;
FIG. 4 is a front view thereof;
FIG. 5 is a rear view thereof; and,
FIG. 6 is a side view thereof.

[56] **References Cited**

U.S. PATENT DOCUMENTS

D. 257,113 9/1980 McCaffrey D7/620 X

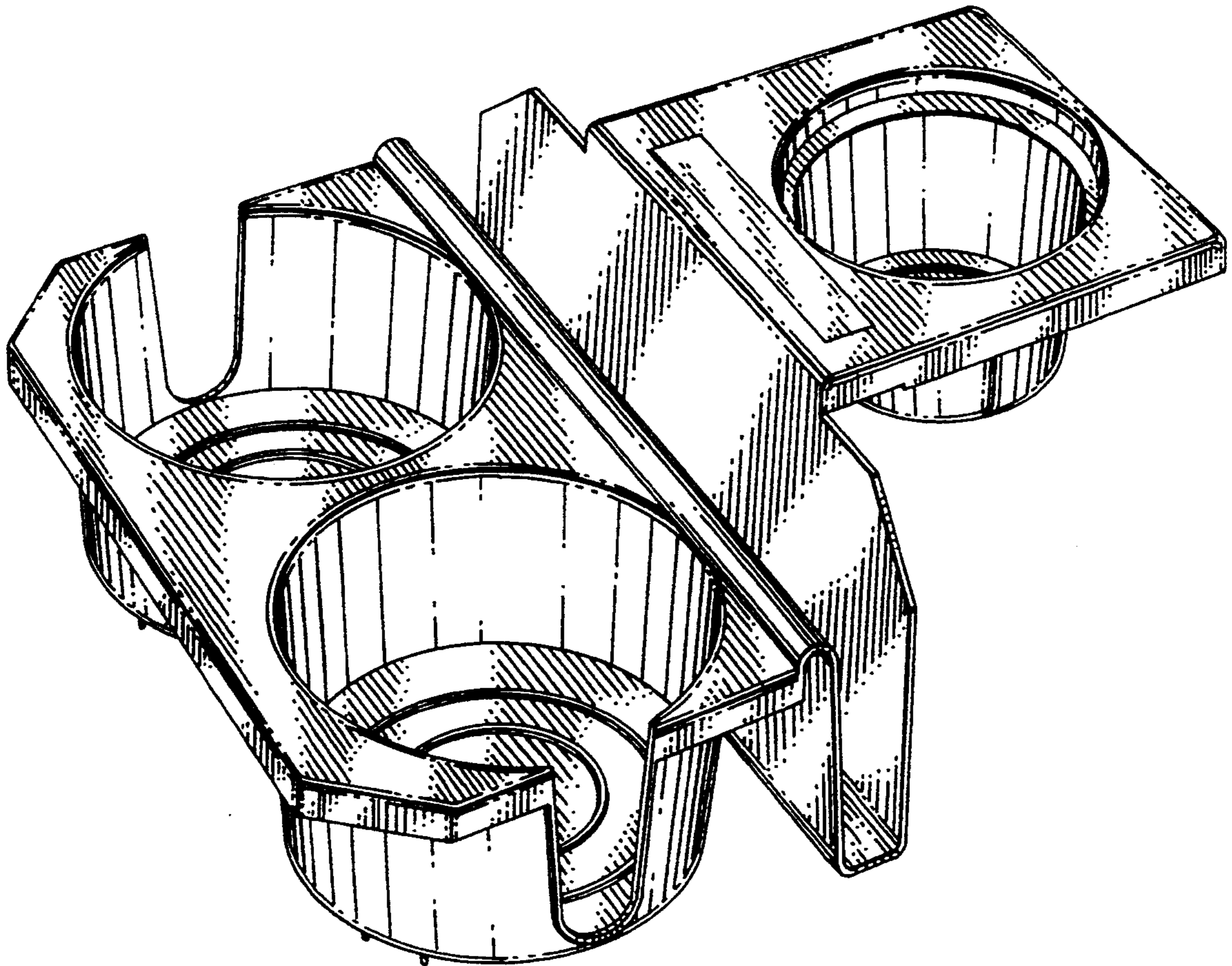


FIG 1

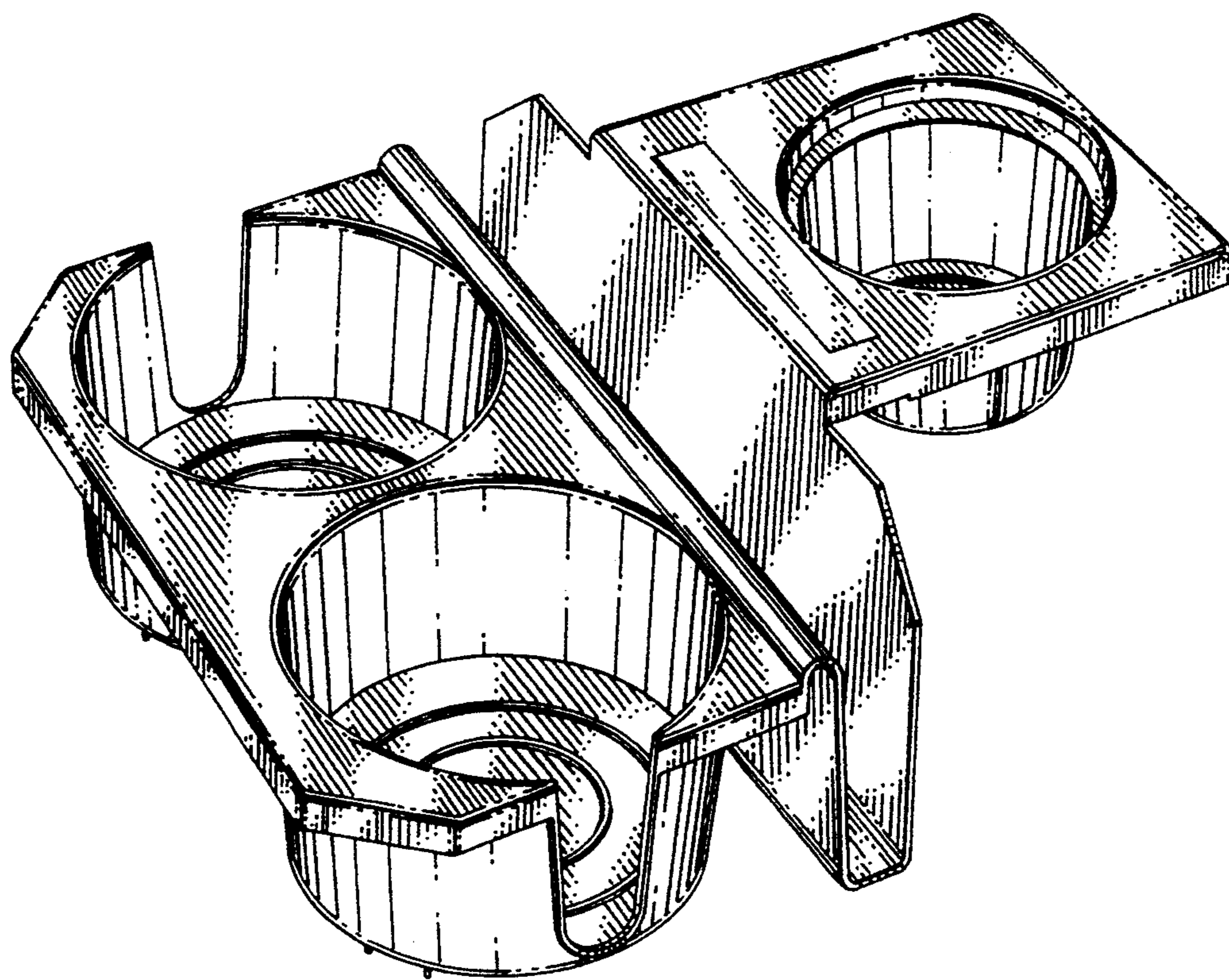


FIG 2

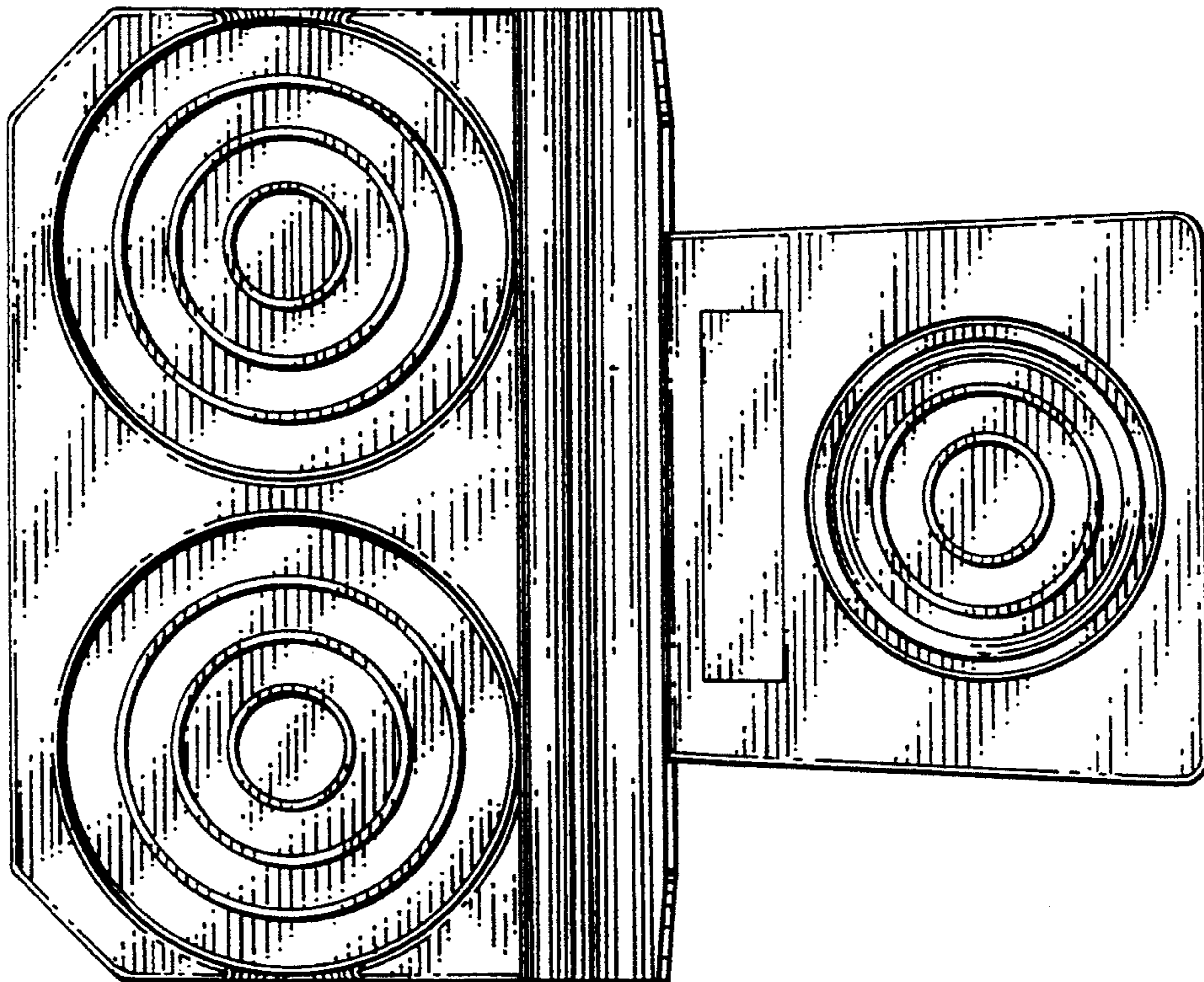


FIG 3

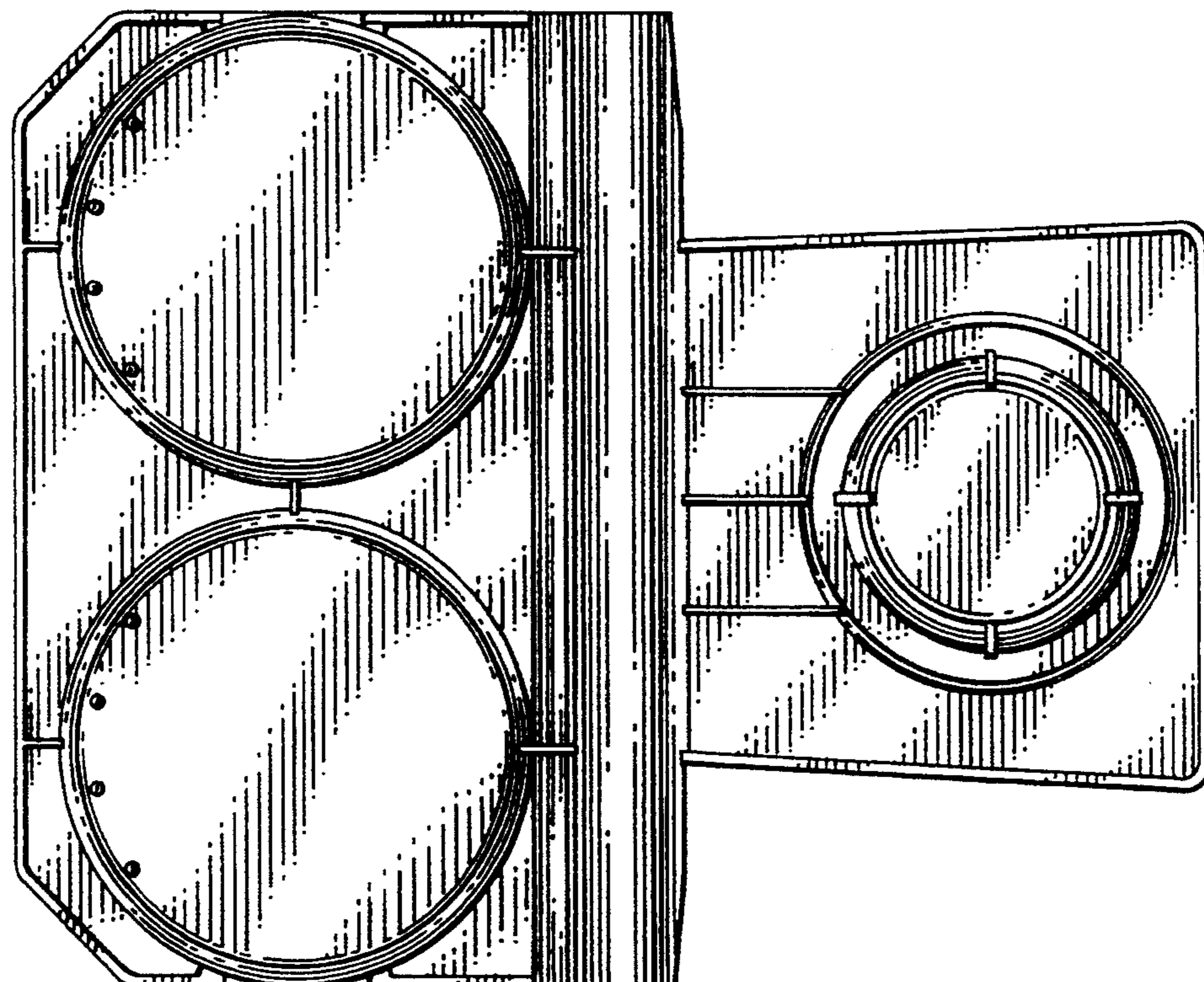


FIG 4

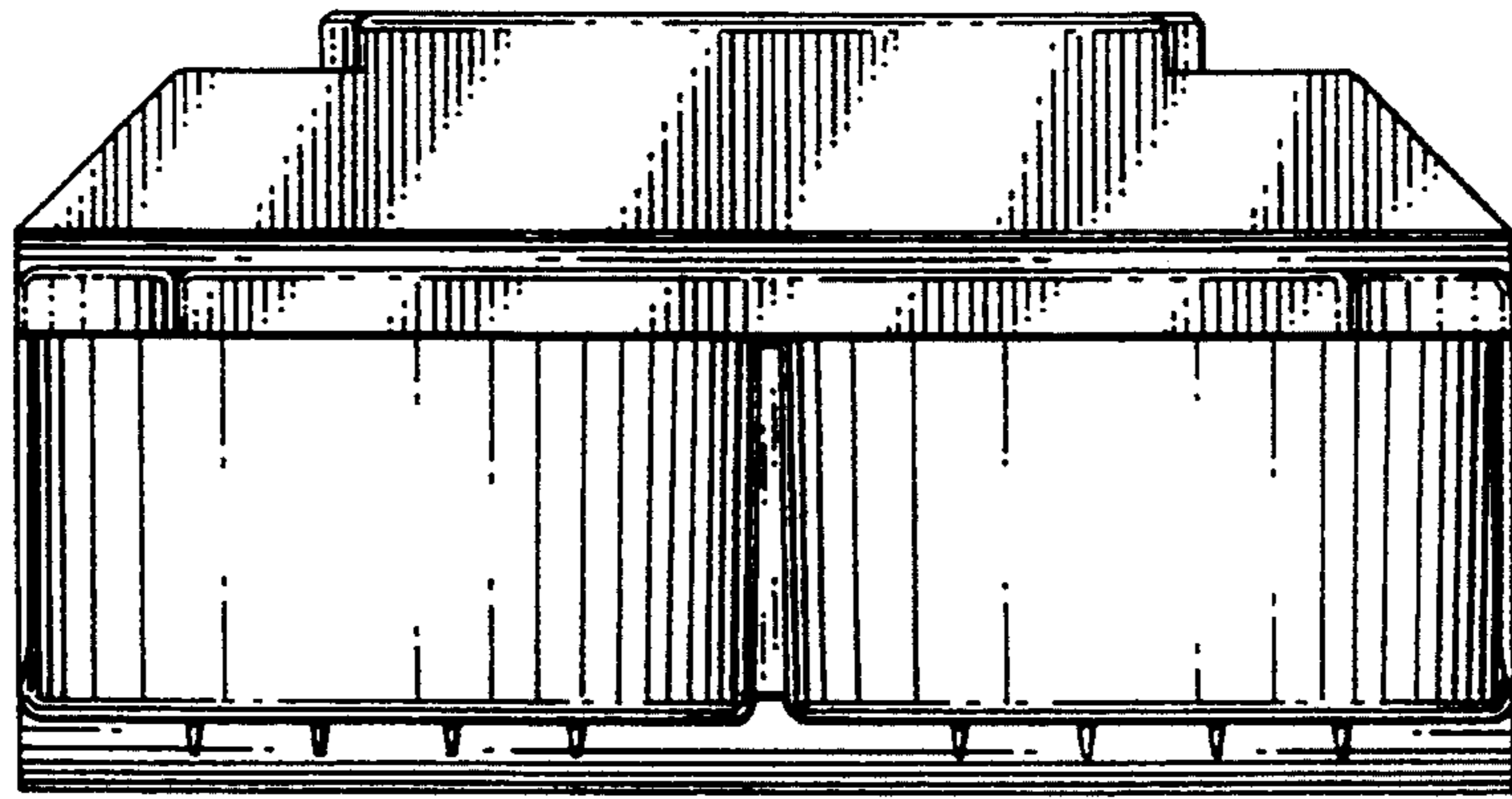


FIG 5

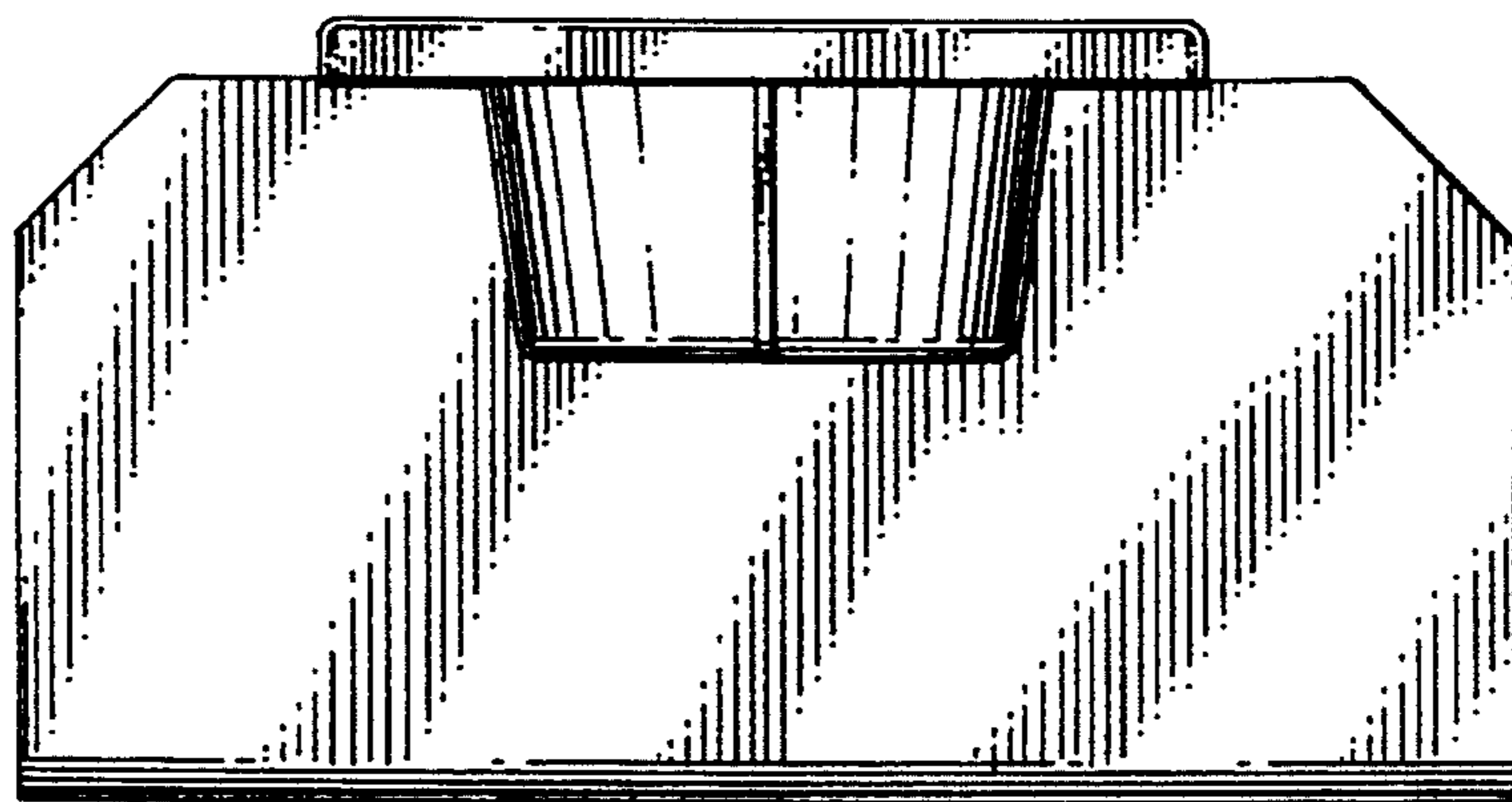


FIG 6

