



US00D352207S

# United States Patent [19] Jaworski

[11] Patent Number: **Des. 352,207**

[45] Date of Patent: **\*\* Nov. 8, 1994**

- [54] BOWL
- [75] Inventor: **Michele M. Jaworski**, New Castle, Pa.
- [73] Assignee: **The Pfaltzgraff Co.**, York, Pa.
- [\*\*] Term: **14 Years**
- [21] Appl. No.: **881,563**
- [22] Filed: **May 14, 1992**
- [52] U.S. Cl. .... **D7/585; D7/587; D7/588; D7/565**
- [58] Field of Search ..... **D7/500, 503, 509, 518, D7/529, 533, 536, 560, 566, 568, 570, 574, 584, 586, 587, 588, 396.4, 396.5**

- D. 337,025 7/1993 Merwin et al. .... D7/545 X
- 2,119,342 5/1938 Morris ..... D7/570 X

### FOREIGN PATENT DOCUMENTS

- 129425 10/1948 Australia ..... D7/396.5

### OTHER PUBLICATIONS

Jackson China Swirl Pattern Catalog.  
Syracuse China Bowl, Grapefruit #6 Winthrop.

*Primary Examiner*—Alan P. Douglas  
*Assistant Examiner*—M. N. Pandozzi  
*Attorney, Agent, or Firm*—Cushman, Darby & Cushman

### [57] CLAIM

The ornamental design for bowl, as shown and described.

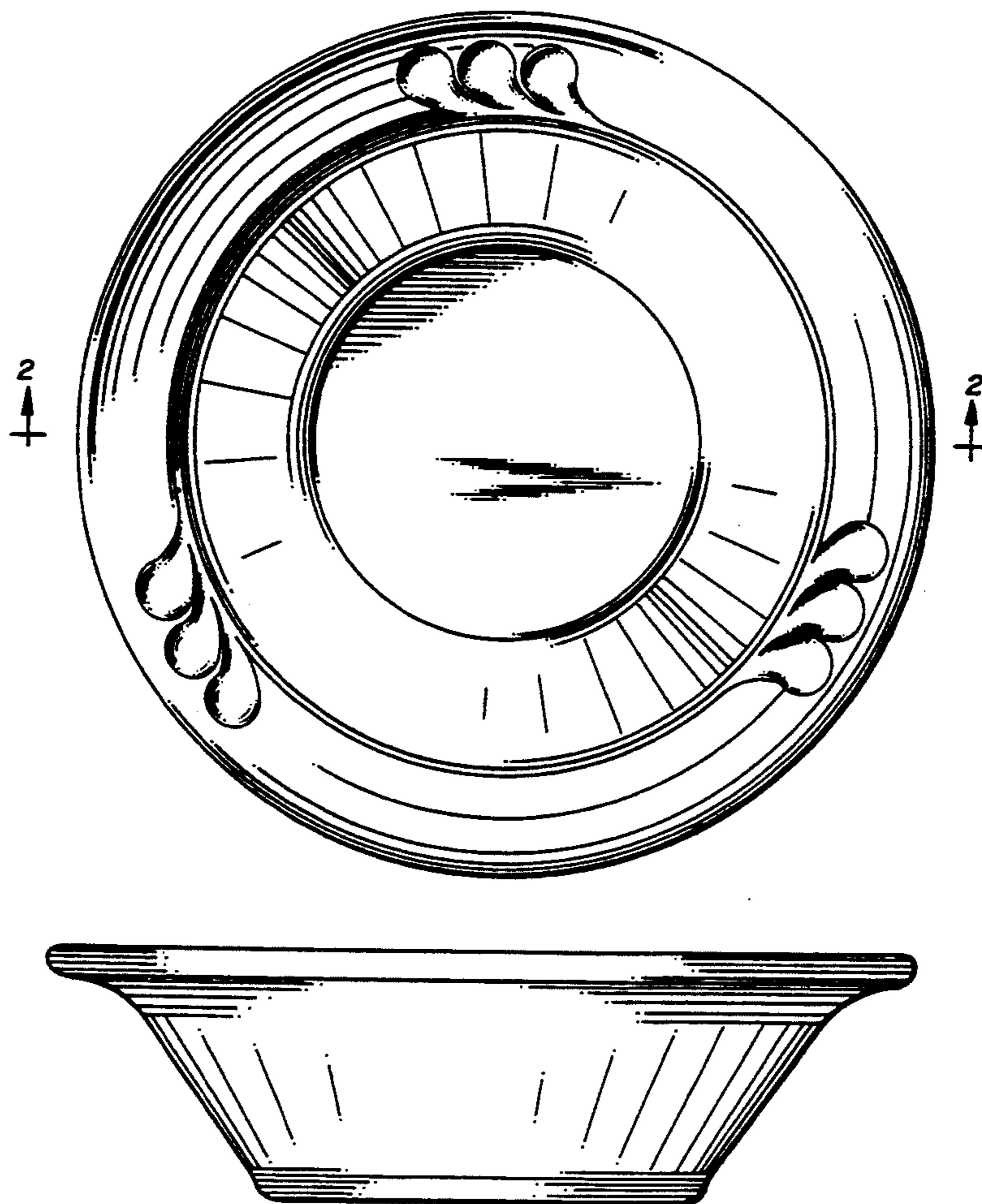
### [56] References Cited

#### U.S. PATENT DOCUMENTS

- D. 22,485 5/1893 Tomey ..... D7/396.5
- D. 83,899 4/1931 Graham ..... D7/568
- D. 187,157 2/1960 Anderson ..... D7/570
- D. 309,551 7/1990 Seitz ..... D7/585
- D. 312,750 12/1990 Unger ..... D7/586 X
- D. 313,333 1/1991 Unger ..... D7/585
- D. 324,798 3/1992 Wonder ..... D7/585

### DESCRIPTION

FIG. 1 is a top plan view of a bowl showing my new design;  
FIG. 2 is a sectional view thereof taken along line 2—2 of FIG. 1;  
FIG. 3 is a bottom plan view thereof; and,  
FIG. 4 is a side elevational view, all sides being the same.



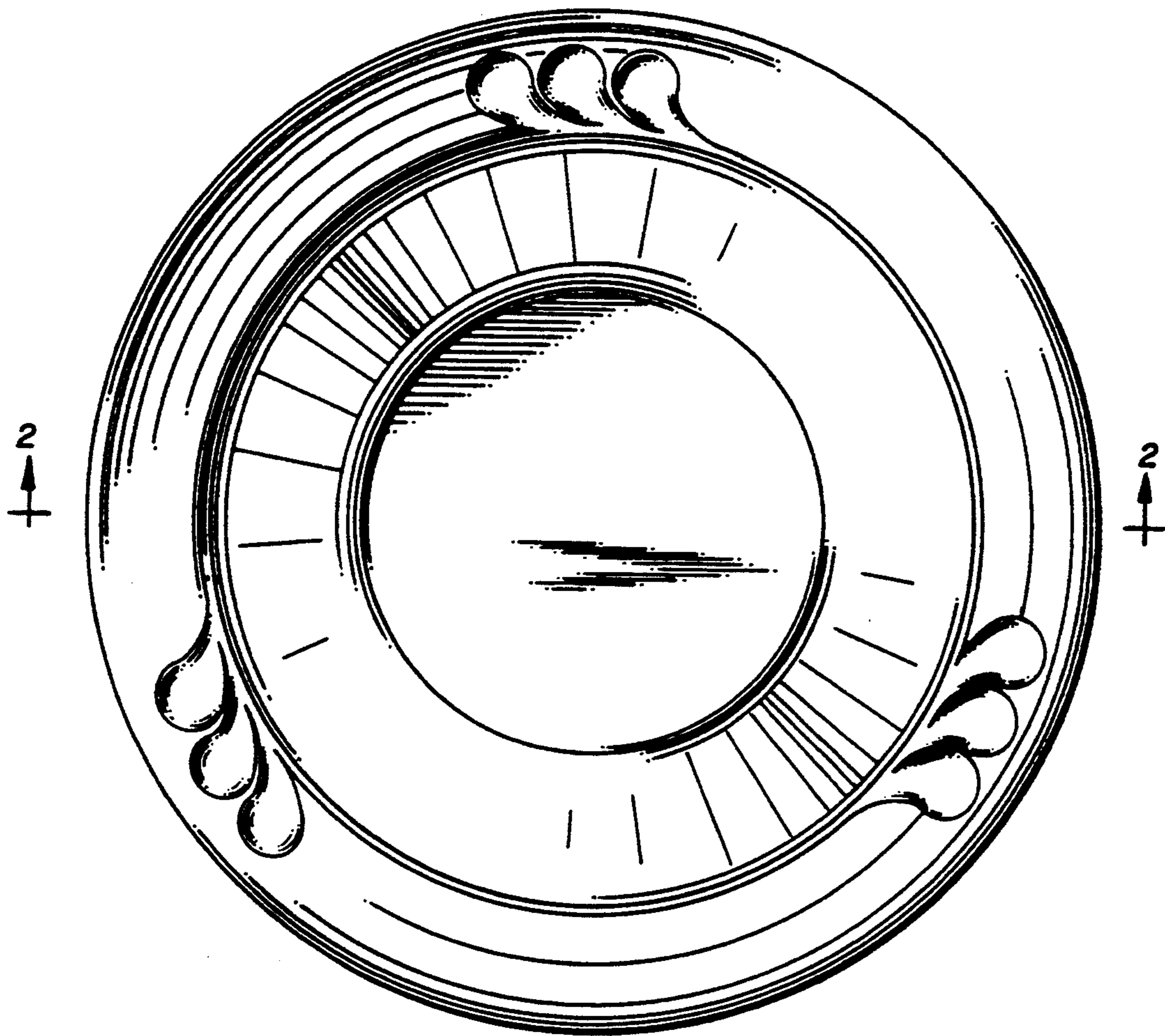


FIG. 1

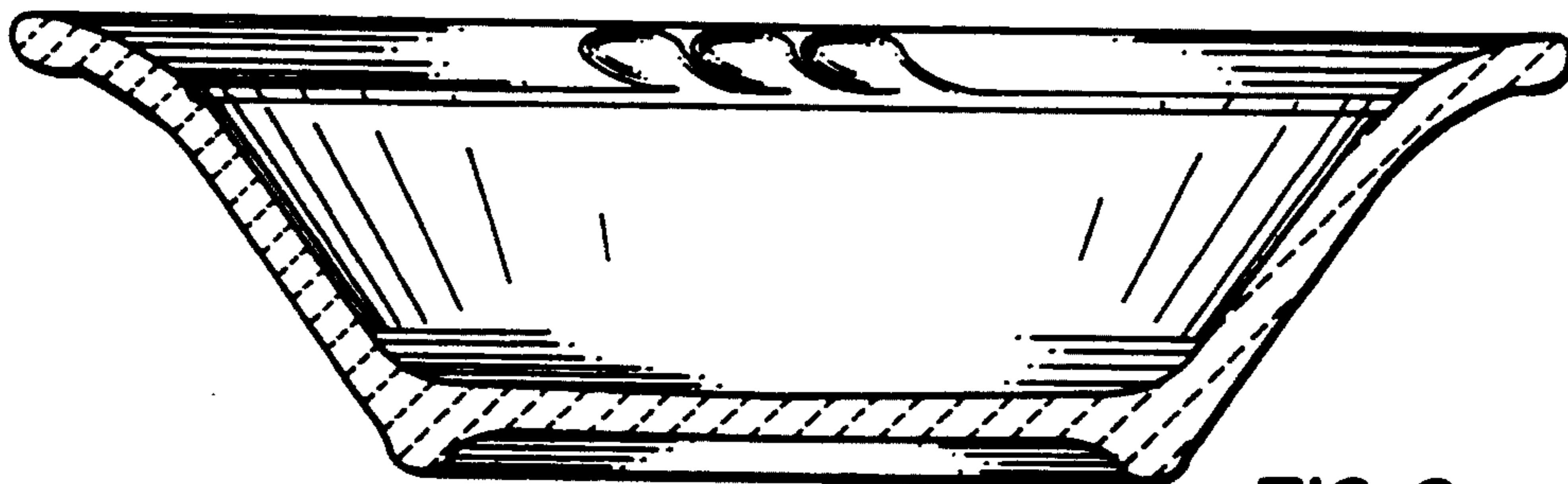


FIG. 2

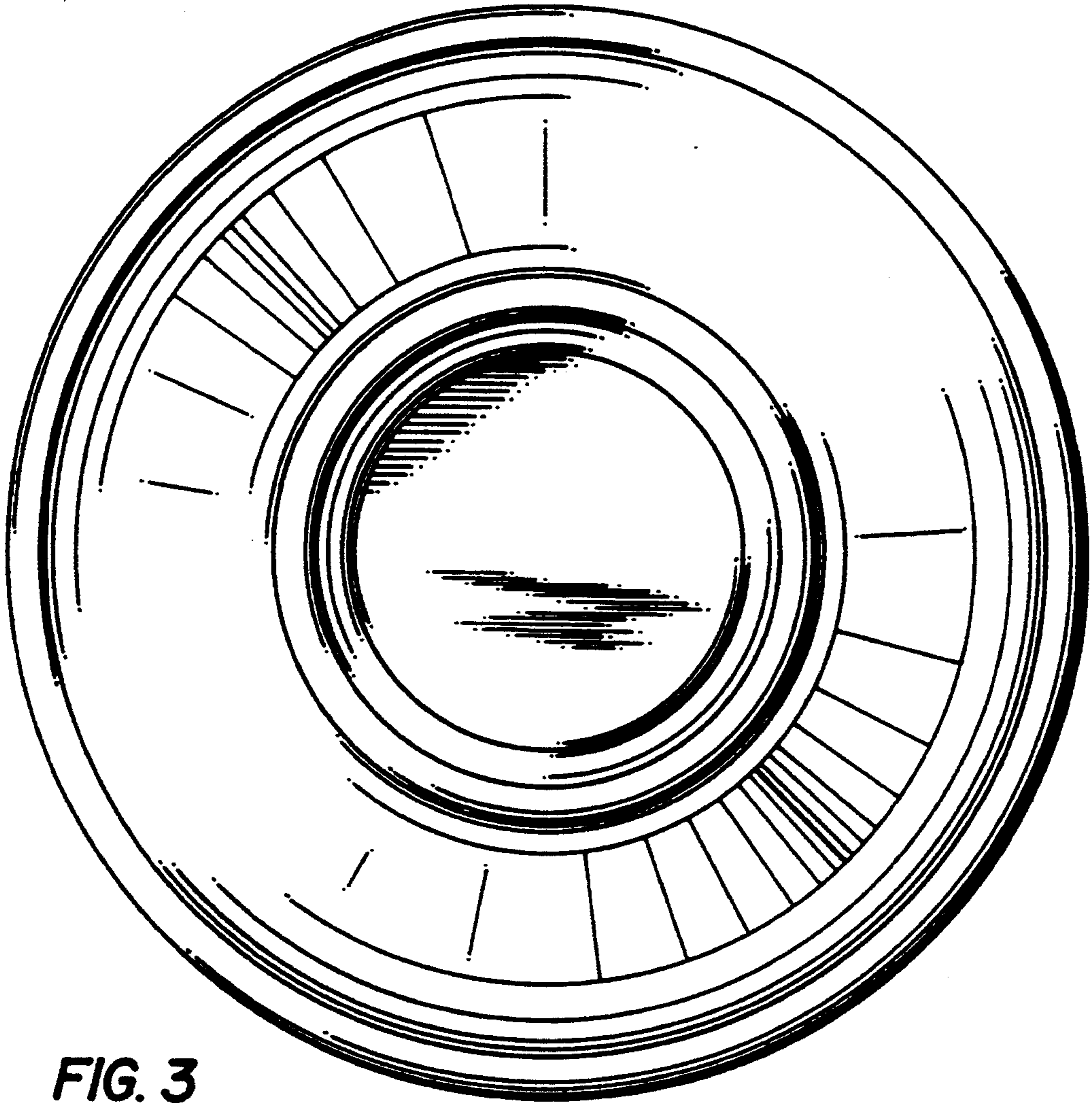


FIG. 3

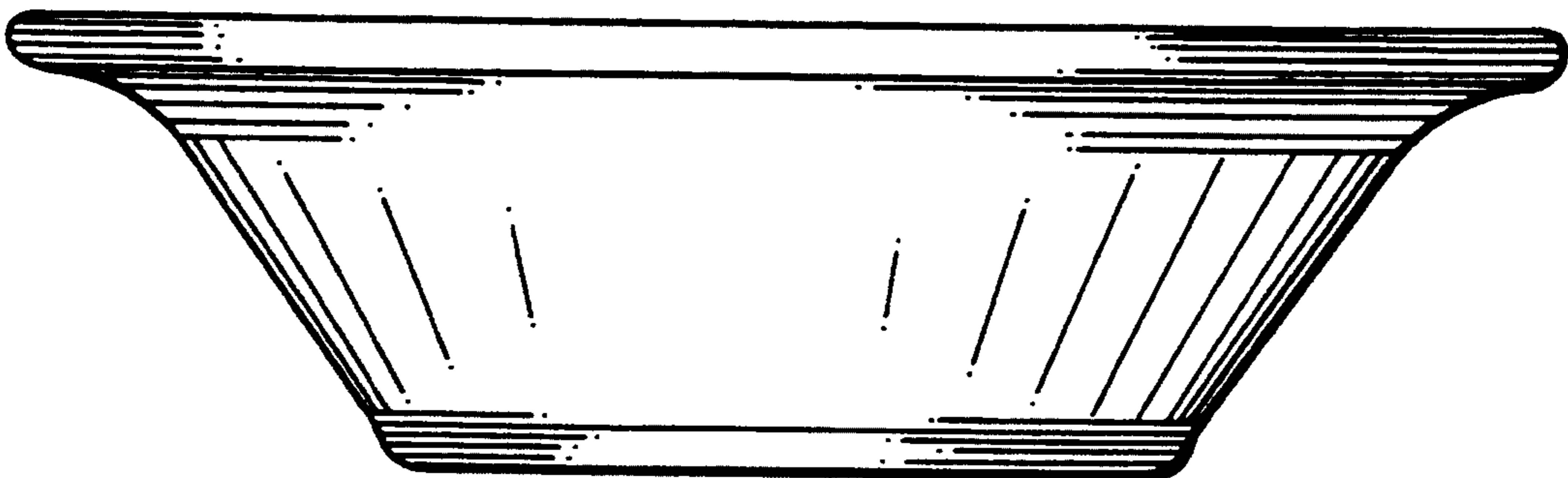


FIG. 4