



US00D352206S

United States Patent [19]

[11] Patent Number: **Des. 352,206**

Davis

[45] Date of Patent: **** Nov. 8, 1994**

[54] **EGG POACHER**

[75] Inventor: **John E. Davis**, Brighton, Australia

[73] Assignee: **Trend Worldwide Pty. Ltd.**, Brighton, Australia

[**] Term: **14 Years**

[21] Appl. No.: **814,680**

[22] Filed: **Dec. 30, 1991**

[30] **Foreign Application Priority Data**

Jul. 9, 1991 [AU] Australia 1966/91

[52] U.S. Cl. **D7/357**

[58] Field of Search **D7/357, 354, 355, 360, D7/361; 99/403, 413, 415, 418, 440, DIG. 14; 219/10.55 E**

[56] **References Cited**

U.S. PATENT DOCUMENTS

D. 157,803	3/1950	Ulmer	D7/357
D. 227,730	7/1973	Shull et al.	D7/357
D. 248,208	6/1978	Miller	D7/357
1,455,780	5/1923	Corwin	D7/357 X
3,369,480	2/1968	Dreyfus	99/440
3,831,508	8/1974	Wallard	99/440
4,133,996	1/1979	Fread	D7/354 X
4,280,032	7/1981	Levinson	219/10.55 E

4,337,116	6/1982	Foster et al.	219/10.55 E X
4,413,167	11/1983	Martel et al.	219/10.55 E
4,798,133	1/1989	Johnson	99/440
4,908,487	3/1990	Sarnoff et al.	219/10.55 E

FOREIGN PATENT DOCUMENTS

2835289	8/1989	Australia .
2451394	10/1974	Germany .
3601406A1	7/1987	Germany .

OTHER PUBLICATIONS

Trend Microwave Egg Poacher. (Photocopy of package exterior) date unknown Two sheets (2).

Primary Examiner—Alan P. Douglas

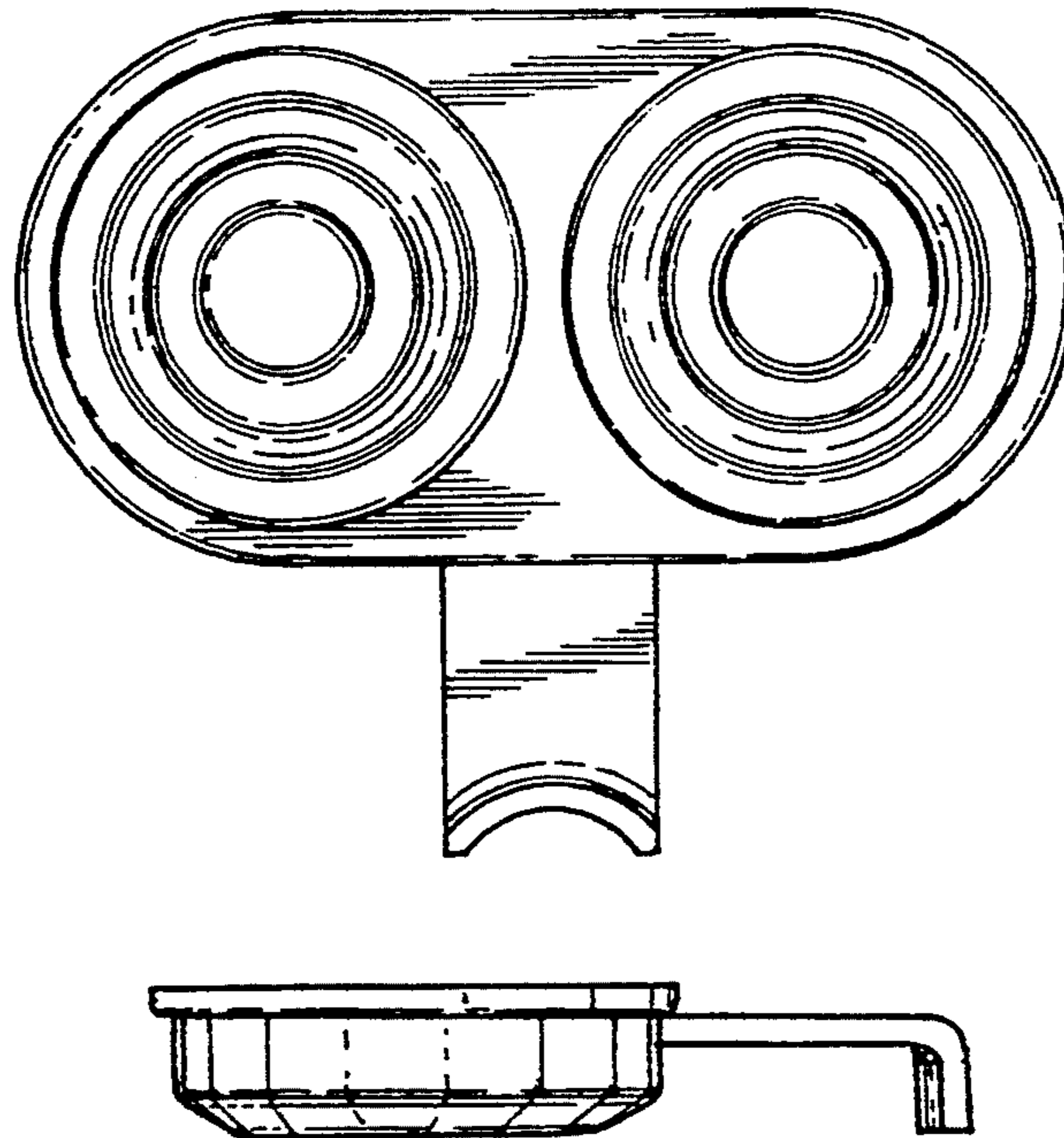
Assistant Examiner—Caron D. Veynar

[57] **CLAIM**

The ornamental design for an egg poacher, as shown and described.

DESCRIPTION

FIG. 1 is a bottom plan view of an egg poacher showing my new design;
FIG. 2 is a top plan view thereof;
FIG. 3 is a front elevational view thereof;
FIG. 4 is a rear elevational view thereof; and
FIG. 5 is a left side elevational view thereof, the right side elevational view being a mirror image thereof.



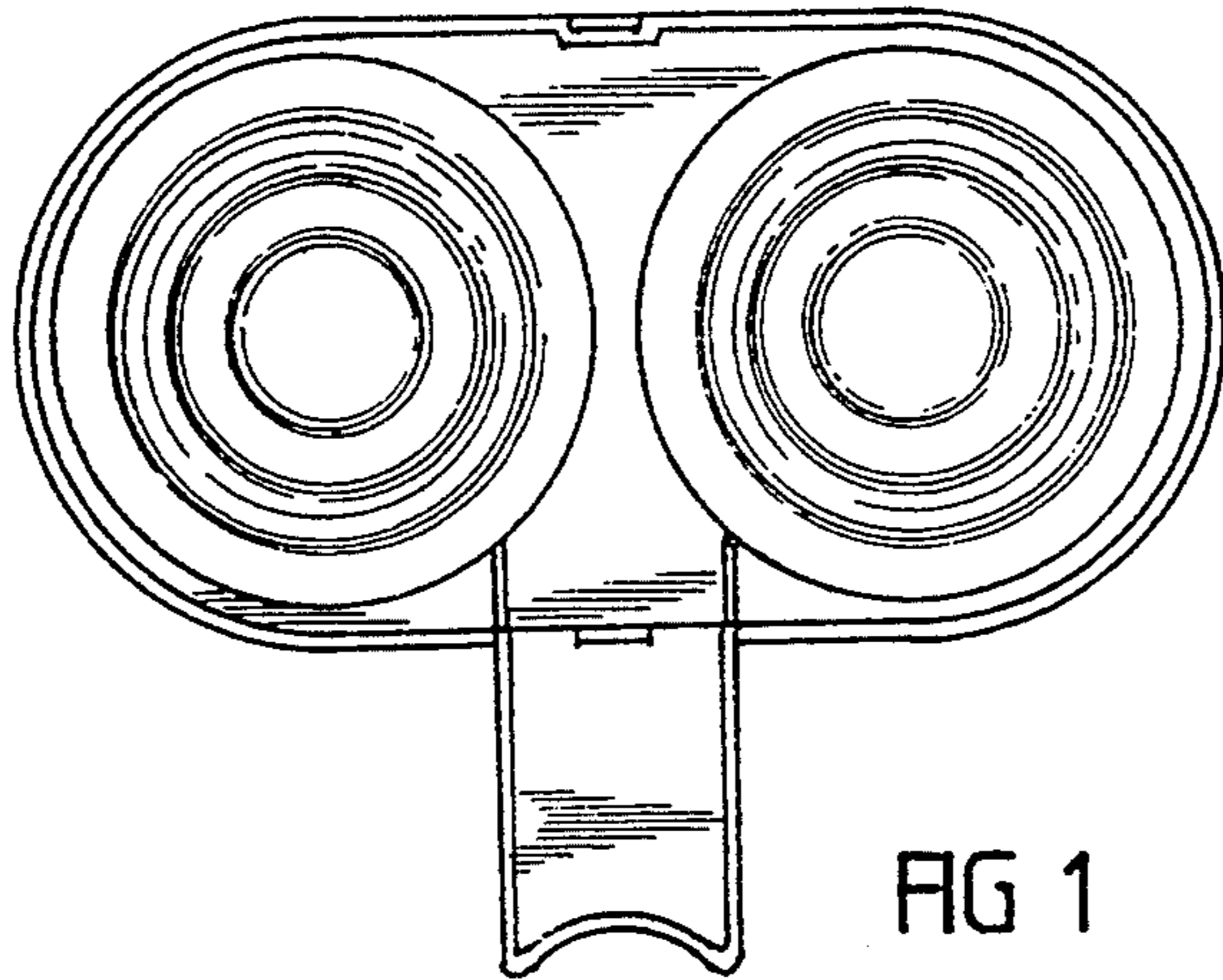


FIG 1

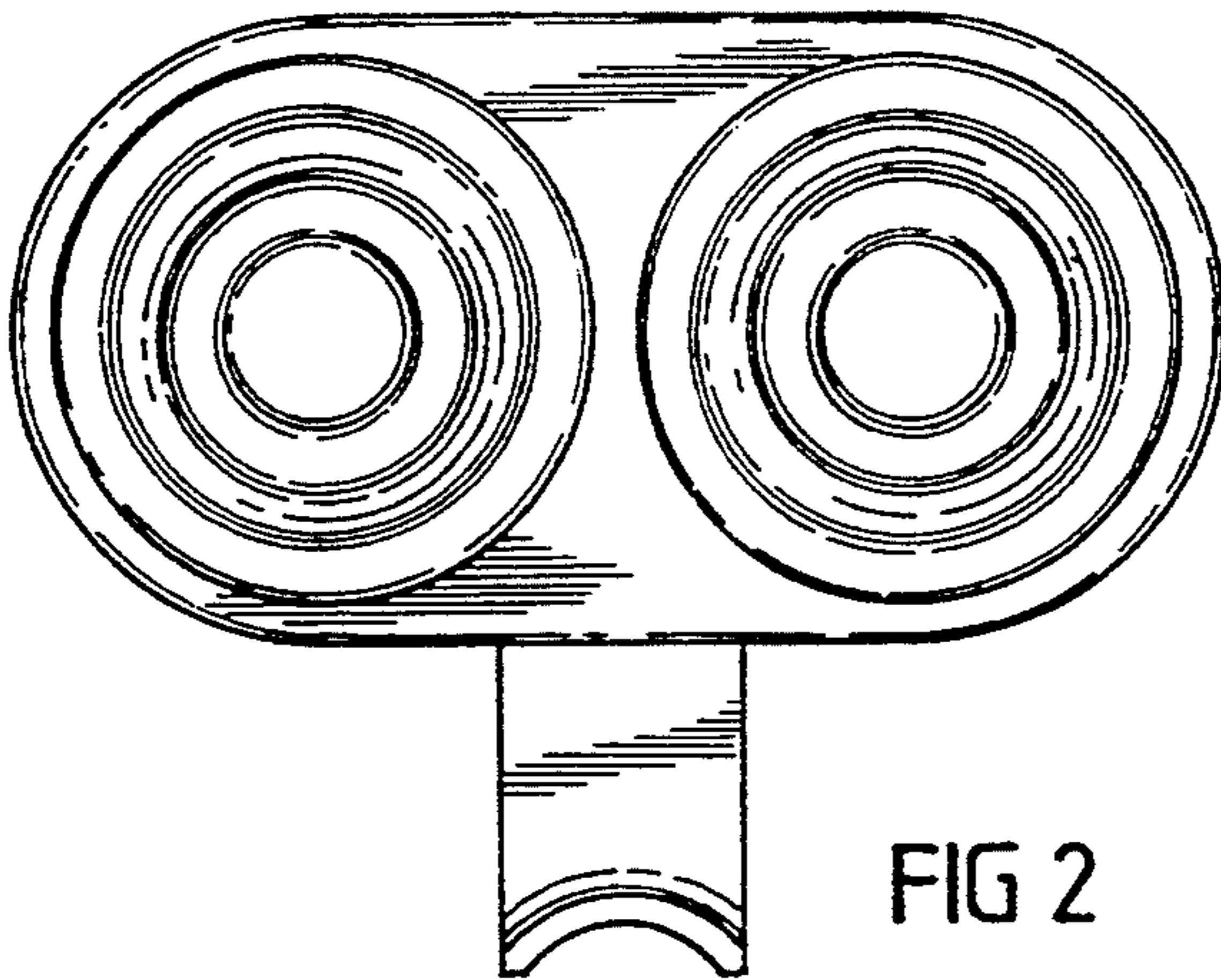


FIG 2

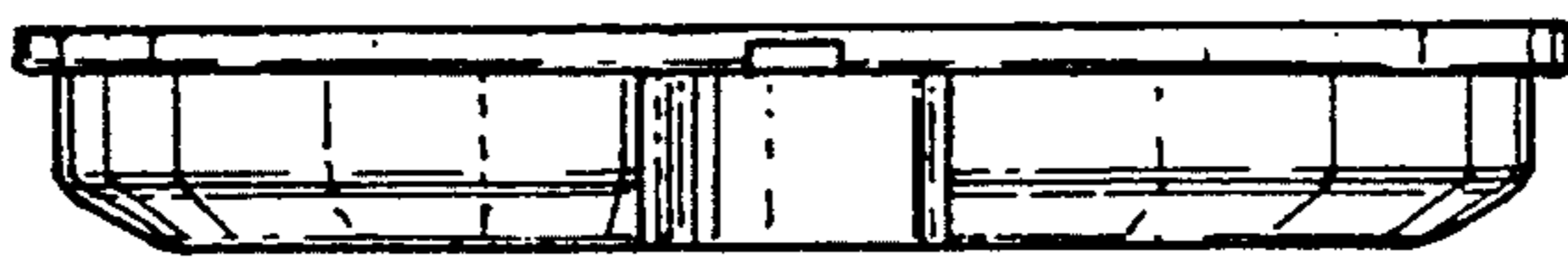


FIG 3



FIG 4

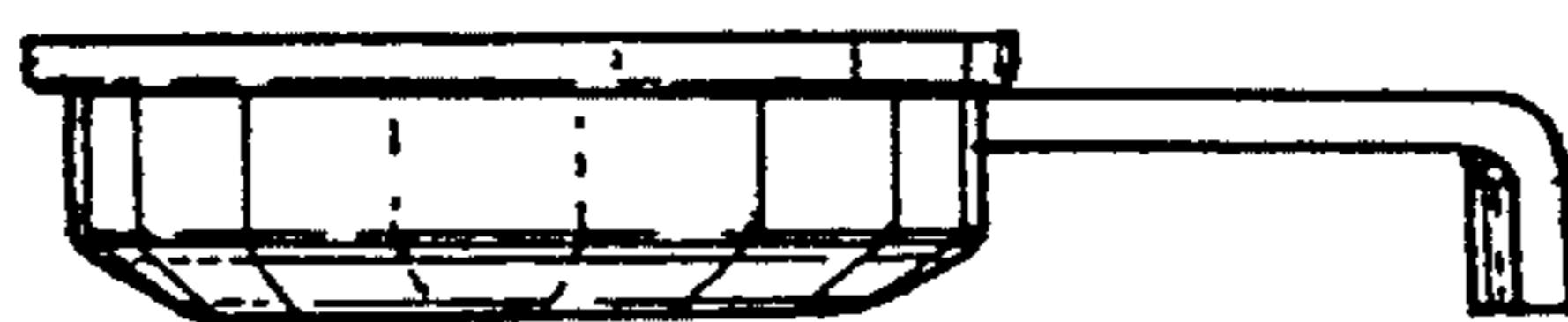


FIG 5