



US00D352205S

United States Patent [19]

[11] Patent Number: **Des. 352,205**

Swetharanyam

[45] Date of Patent: **** Nov. 8, 1994**

[54] **FOOD SUPPORTING TRAY**

[76] Inventor: **Sundaram Swetharanyam, 525 E. Jefferson Dr., Lake Charles, La. 70605**

[**] Term: **14 Years**

[21] Appl. No.: **5,168**

[22] Filed: **Feb. 24, 1993**

[52] U.S. Cl. **D7/554; D7/553; D7/550; D7/507**

[58] Field of Search **D7/550, 300, 551, 552, D7/553, 554, 555, 556, 557, 538, 601, 602, 507, 354, 357, 360, 565, 543, 541; 220/575, 556, 632; 108/25; D9/425, 423, 431, 341, 347; D6/406; D19/76, 92**

[56] **References Cited**

U.S. PATENT DOCUMENTS

- D. 196,854 11/1963 Nicholson D7/553
- D. 220,774 5/1971 Goings D7/554
- D. 289,247 4/1987 Wang D6/406 X
- D. 304,684 11/1989 Hadtke D9/425 X
- D. 307,529 5/1990 Baetens .

- D. 317,389 6/1991 Penaluna et al. D7/543
- D. 326,211 5/1992 Allen D7/550 X
- D. 339,507 9/1993 Ancowa et al. D7/553 X
- 4,354,601 10/1982 Harrison 108/25
- 4,961,555 10/1990 Egan .
- 5,085,391 2/1992 Berger .
- 5,152,398 10/1992 Forestal et al. 220/556 X
- 5,294,000 3/1994 Yanuzzi 220/575 X

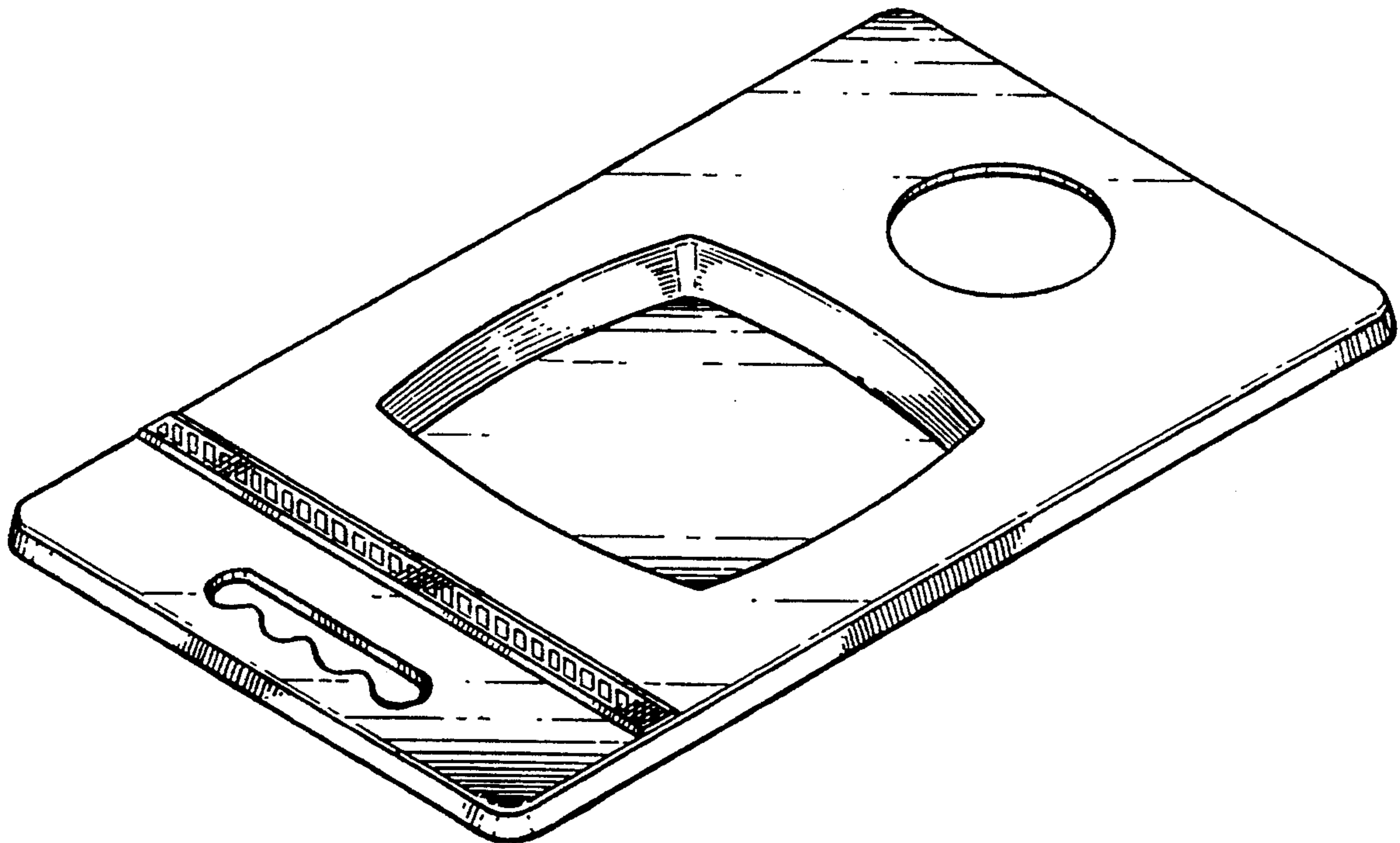
Primary Examiner—Alan P. Douglas
Assistant Examiner—M. N. Pandozzi
Attorney, Agent, or Firm—Terry M. Gernstein

[57] **CLAIM**

The ornamental design for a food supporting tray, as shown and described.

DESCRIPTION

FIG. 1 is a front, top and side perspective view of the food supporting tray showing my new design; FIG. 2 is a front elevational view thereof; FIG. 3 is a rear elevational view thereof; FIG. 4 is a side elevational view thereof; FIG. 5 is a side elevational view thereof; FIG. 6 is a top plan view thereof; and, FIG. 7 is a bottom plan view thereof.



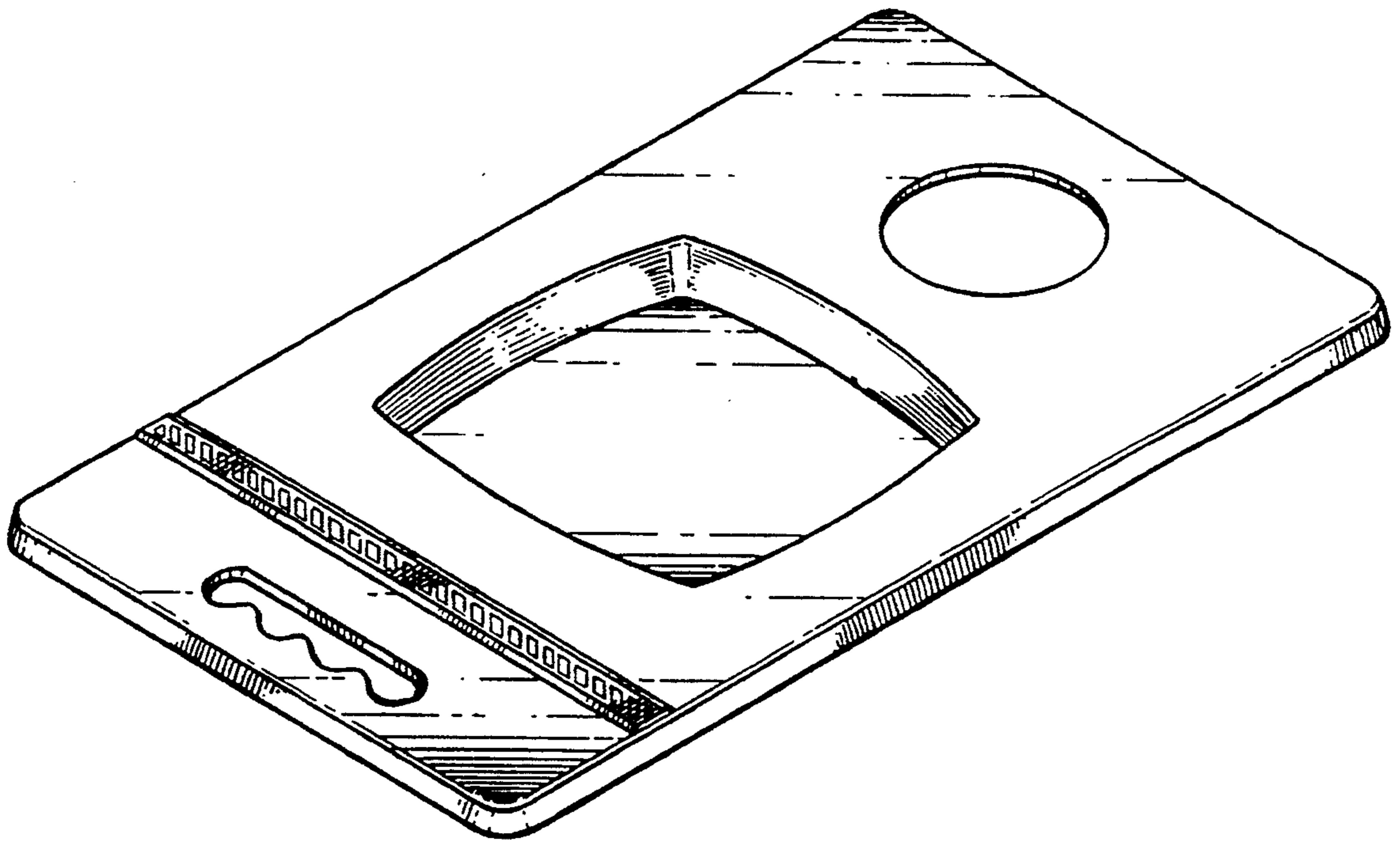


FIG. 1



FIG. 2

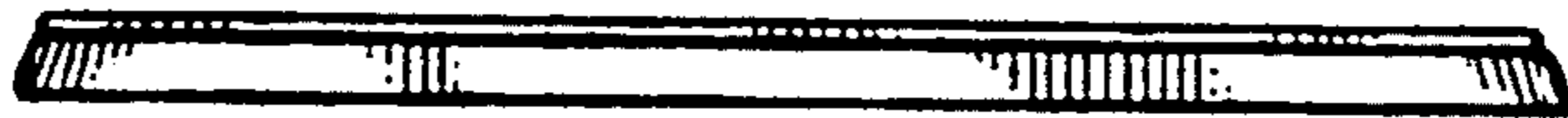


FIG. 3



FIG. 4



FIG. 5

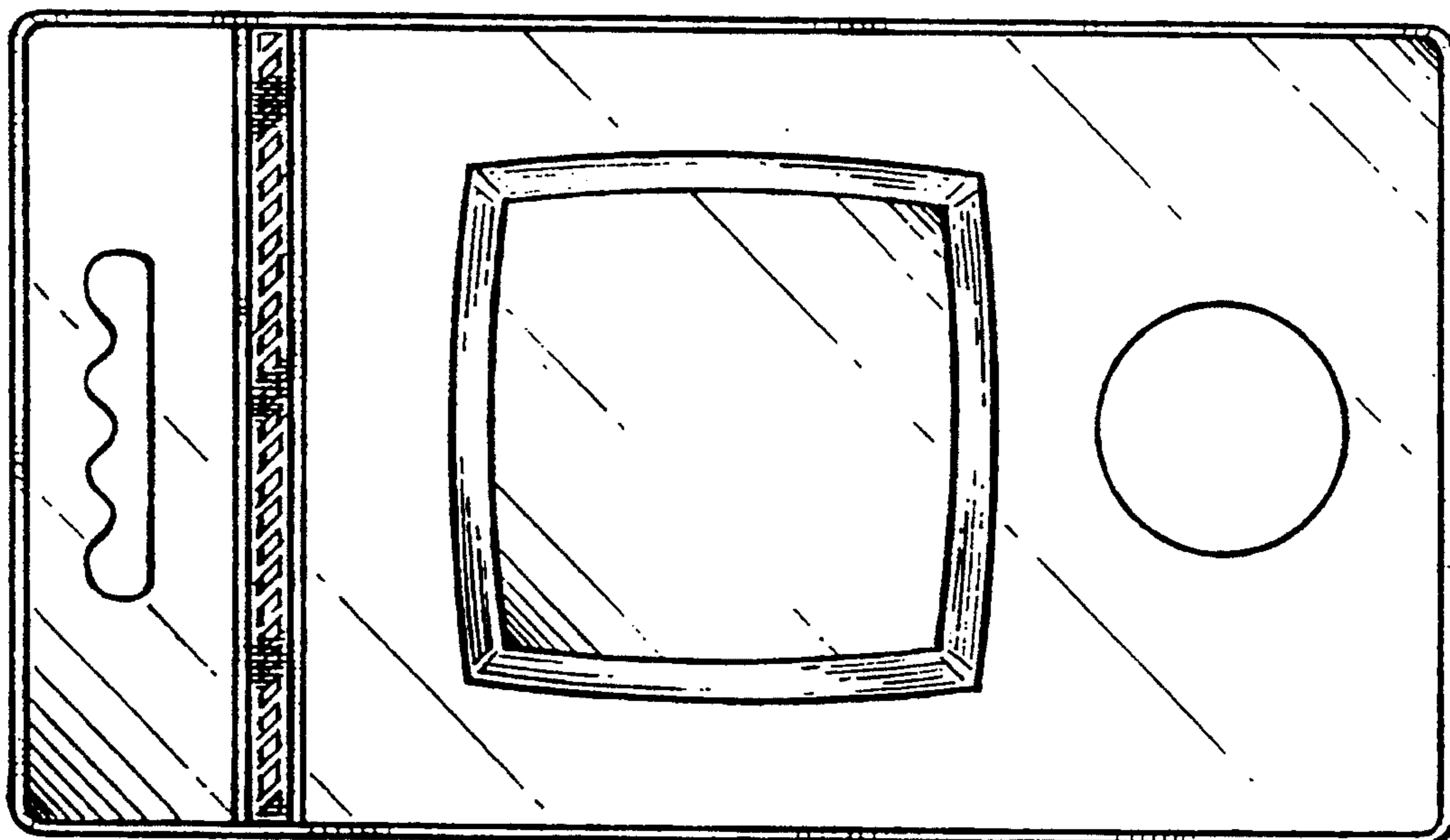


FIG. 6

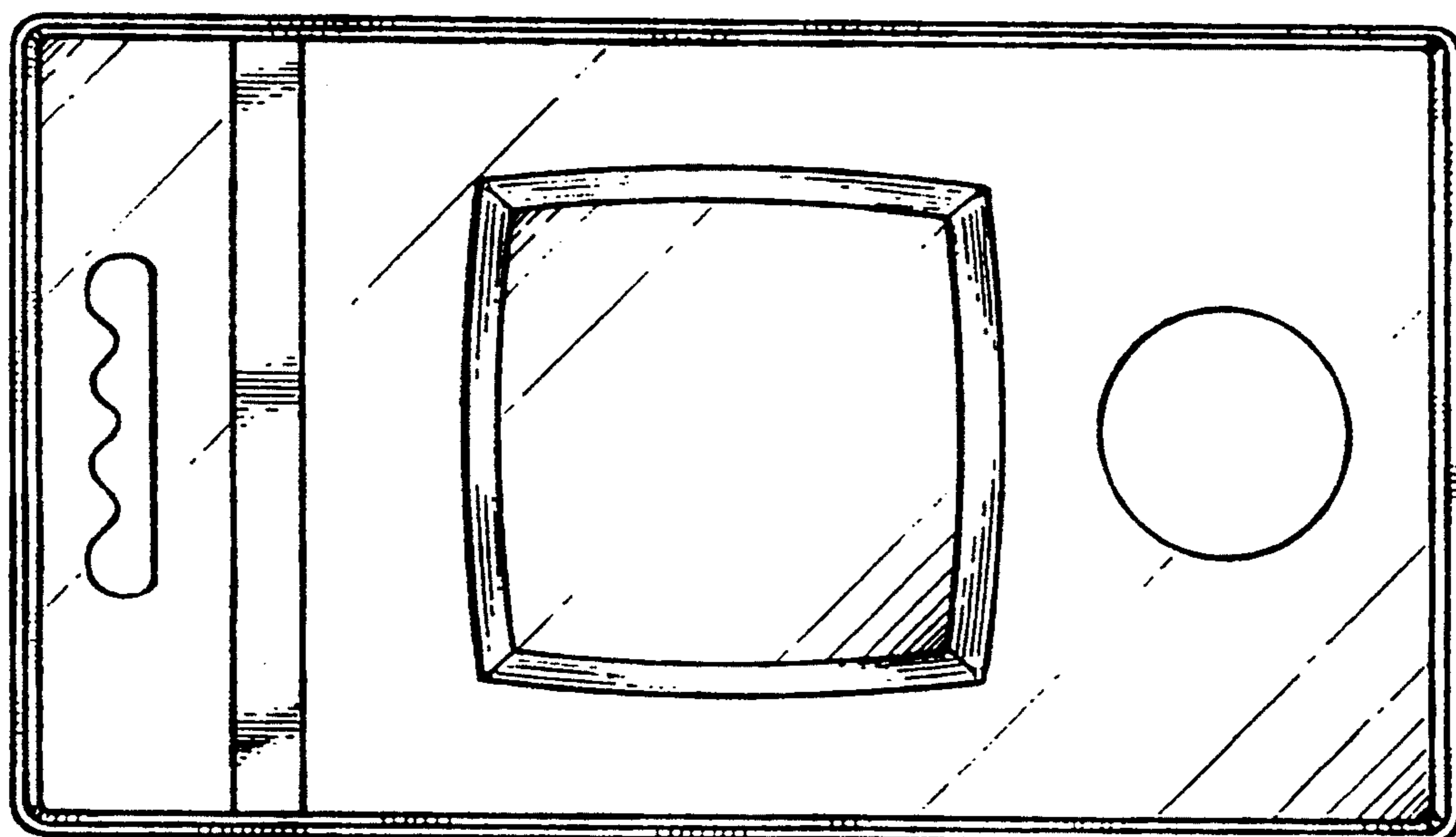


FIG. 7