



US00D352204S

# United States Patent [19]

[11] Patent Number: **Des. 352,204**

Hayes et al.

[45] Date of Patent: **\*\* Nov. 8, 1994**

[54] **CATERING TRAY**

[75] Inventors: **Thomas J. Hayes, Wauconda;**  
**Timothy Goins, Wheeling, both of Ill.**

[73] Assignee: **Packaging Corporation of America,**  
**Evanston, Ill.**

[\*\*] Term: **14 Years**

[21] Appl. No.: **5,994**

[22] Filed: **Mar. 16, 1993**

[52] U.S. Cl. .... **D7/554; D7/552;**  
**D7/550; D7/553; D7/555; D7/557**

[58] Field of Search ..... **D7/555, 553, 554, 550,**  
**D7/352, 354, 355, 359, 363, 367, 507, 557;**  
**220/556, 575, 564, 557; 206/564, 557; 229/1.5**  
**B; D9/341, 549, 428**

[56] **References Cited**

### U.S. PATENT DOCUMENTS

D. 67,011 4/1925 Clarke ..... D7/557  
D. 72,702 5/1927 Farber ..... D7/547  
D. 226,776 4/1973 Mider ..... D7/357 X  
D. 227,851 7/1973 Nowland et al. .... D7/554

D. 285,638 9/1986 Trivison ..... D7/557  
D. 326,743 6/1992 Haynes ..... D7/557 X  
D. 336,216 6/1993 Rohrbeck ..... D7/553  
2,096,825 10/1937 Roman ..... 220/575 X  
4,874,083 10/1989 Antoni et al. .... 227/2.5 R X

### OTHER PUBLICATIONS

Round Compartmented Plate (left) Enamels on Copper  
by E. Sohn, The Gift and Art Buyer, Jul. 1962.  
Compartmented Tray (No. AP215), American Perma-  
nent Ware.

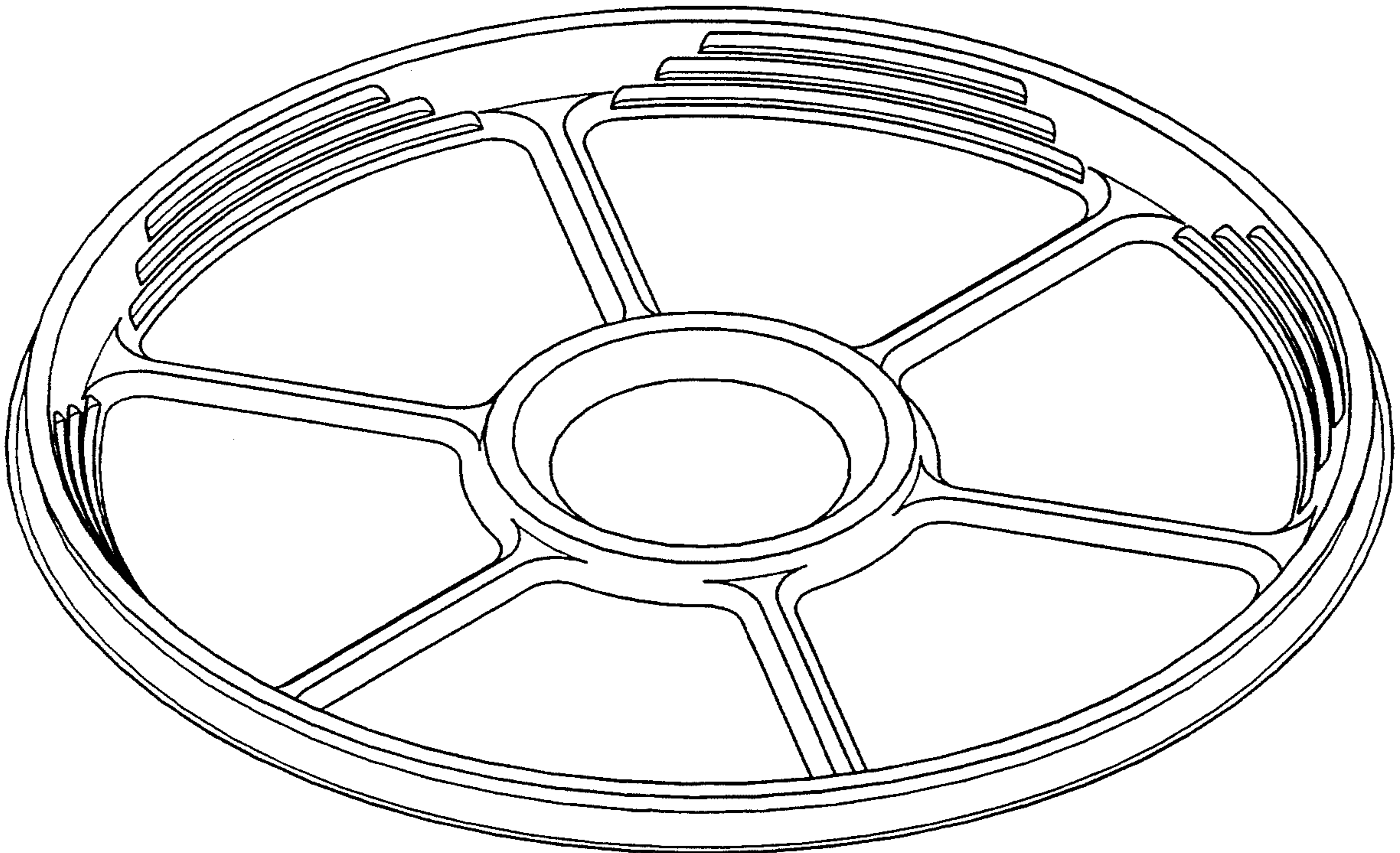
*Primary Examiner*—Alan P. Douglas  
*Assistant Examiner*—M. N. Pandozzi  
*Attorney, Agent, or Firm*—Arnold, White & Durkee

### [57] CLAIM

The ornamental design for a catering tray, as shown and  
described.

### DESCRIPTION

FIG. 1 is a front perspective view of the catering tray  
showing our new design;  
FIG. 2 is a top plan view; and,  
FIG. 3 is a cross sectional view taken along the line  
3—3 of FIG. 2.



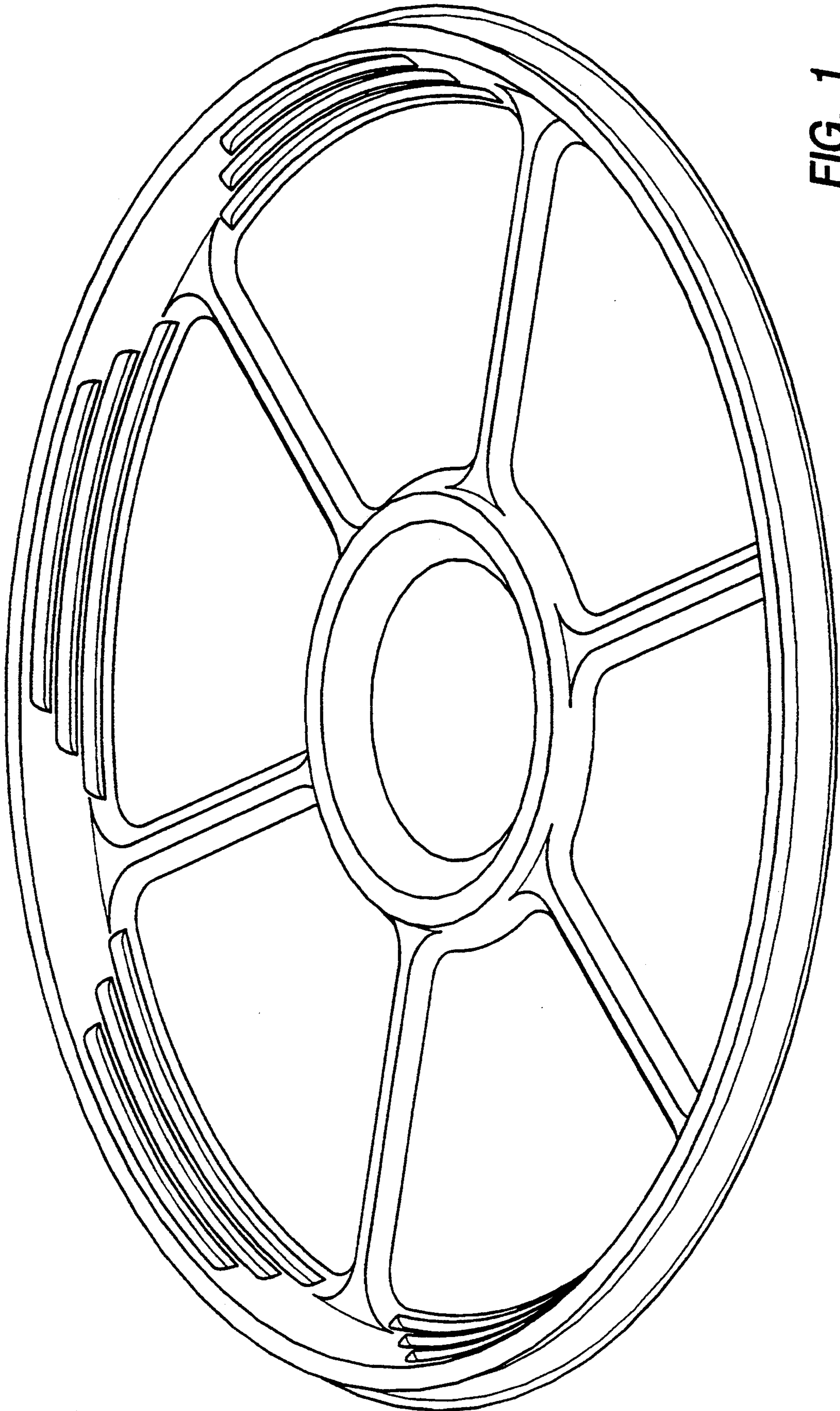


FIG. 1

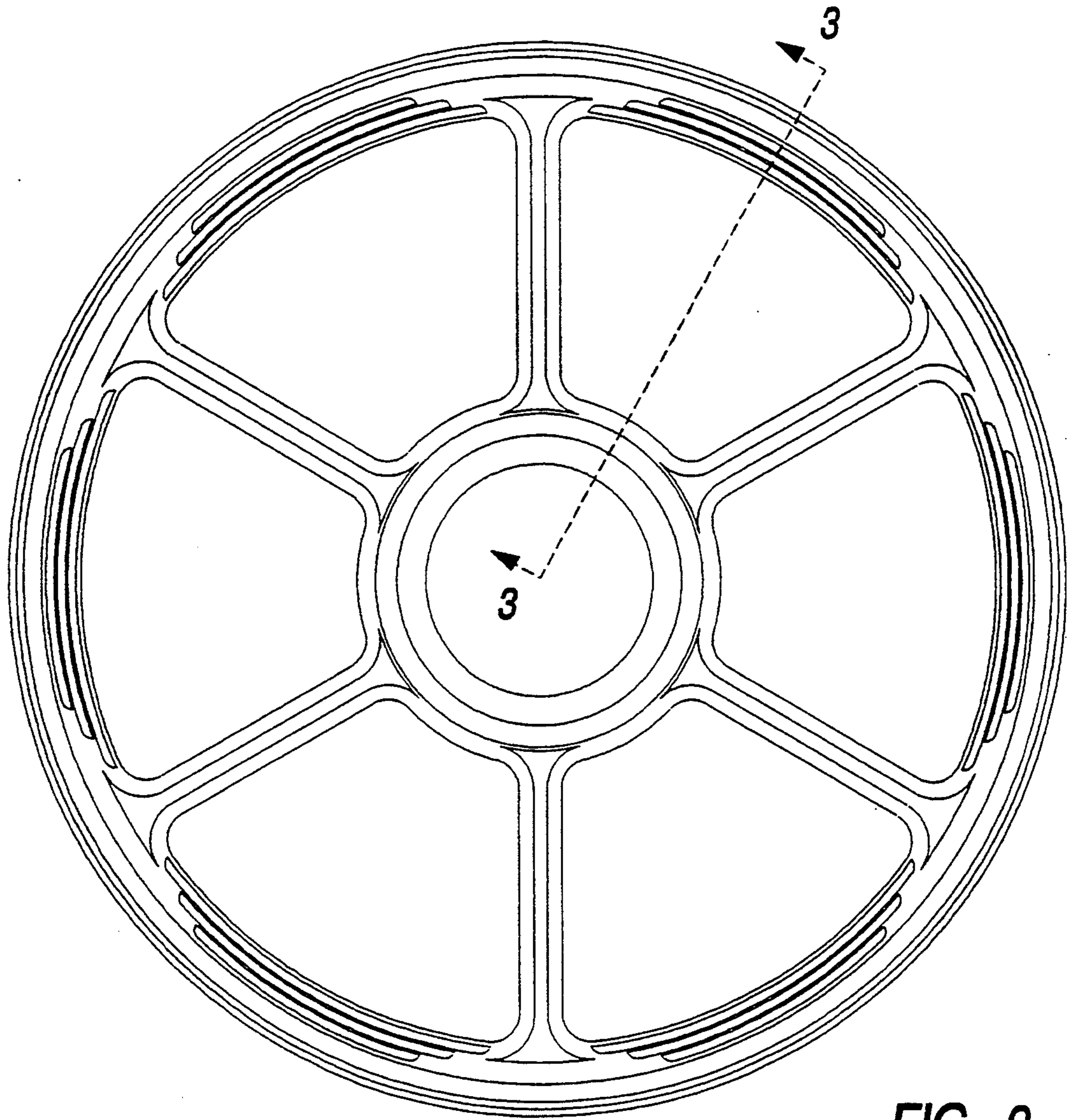


FIG. 2

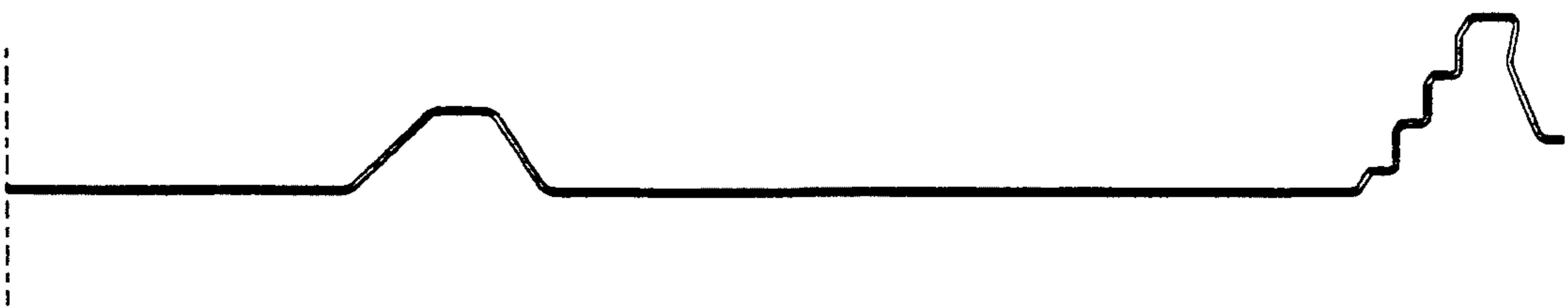


FIG. 3