



US00D352203S

# United States Patent [19]

Campbell et al.

[11] Patent Number: **Des. 352,203**

[45] Date of Patent: **\*\* Nov. 8, 1994**

[54] **COMPARTMENTED SERVING TRAY**

[75] Inventors: **Argyle Campbell**, Newport Beach;  
**Ben Dawson**, Huntington Beach,  
both of Calif.

[73] Assignee: **Cambro Manufacturing Company**,  
Huntington Beach, Calif.

[\*\*] Term: **14 Years**

[21] Appl. No.: **3,003**

[22] Filed: **Dec. 4, 1992**

[52] U.S. Cl. .... **D7/553; D7/550;**  
**D7/555; D7/546**

[58] Field of Search ..... **D7/500, 550, 541, 542,**  
**D7/543, 544, 545, 546, 549, 551, 354, 552, 553,**  
**554, 555, 556, 557, 569, 573; D9/341, 425, 424,**  
**344, 432; 220/556, 575; 248/346**

[56] **References Cited**

**U.S. PATENT DOCUMENTS**

D. 132,425 5/1942 Erickson ..... D7/553  
D. 276,201 11/1984 Wolff ..... D7/553

D. 316,359 4/1991 Anderson ..... D7/553 X  
D. 318,207 7/1911 Anderson ..... D7/553 X  
D. 338,808 8/1993 Anderson ..... D7/549 X  
3,045,862 7/1962 Chelbor ..... D9/341 X

**OTHER PUBLICATIONS**

Tupperware Box in D7#39 Container from the Tupperware Catalog Summer 1986 p. 86.

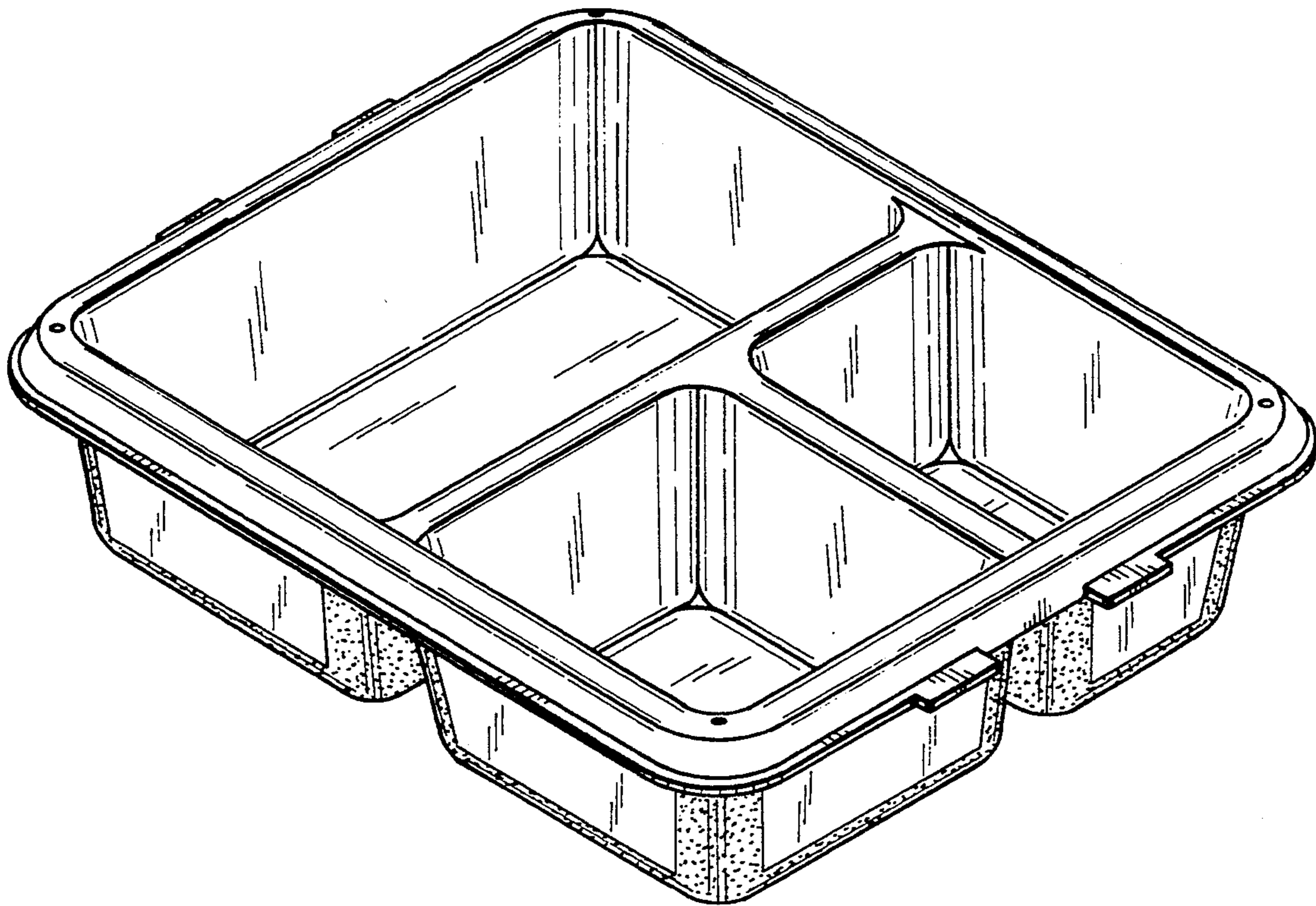
*Primary Examiner*—Alan P. Douglas  
*Assistant Examiner*—M. N. Pandozzi

[57] **CLAIM**

The ornamental design for a compartmented serving tray, as shown and described.

**DESCRIPTION**

FIG. 1 shows a perspective view of the compartmented serving tray of this invention;  
FIG. 2 shows a front elevation view thereof;  
FIG. 3 shows a right side elevation view thereof;  
FIG. 4 shows a top plan view thereof;  
FIG. 5 shows a left side elevation view thereof;  
FIG. 6 shows a back elevation view thereof; and,  
FIG. 7 shows a bottom view thereof.



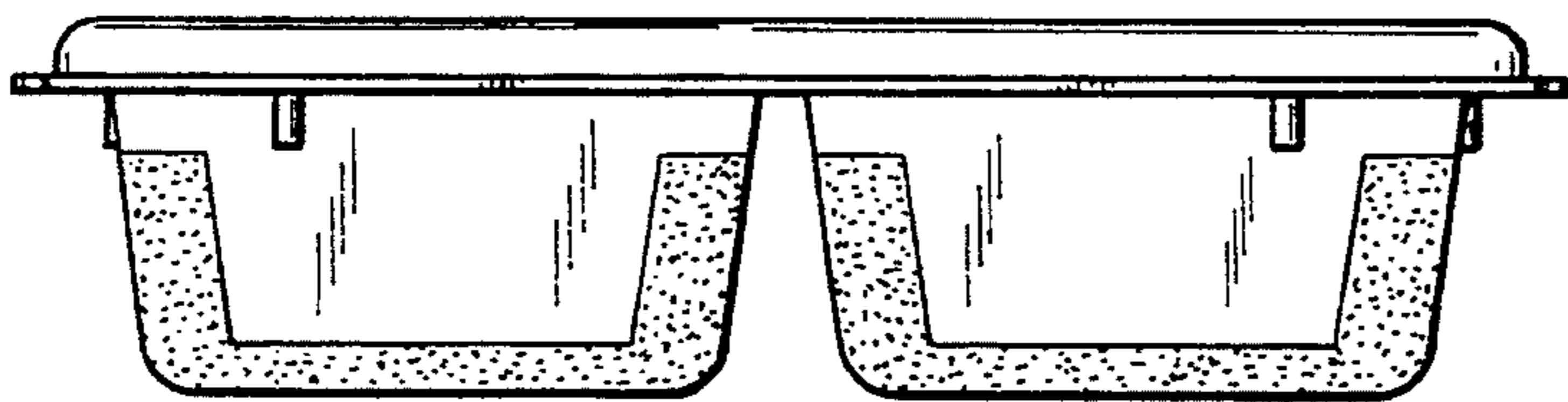
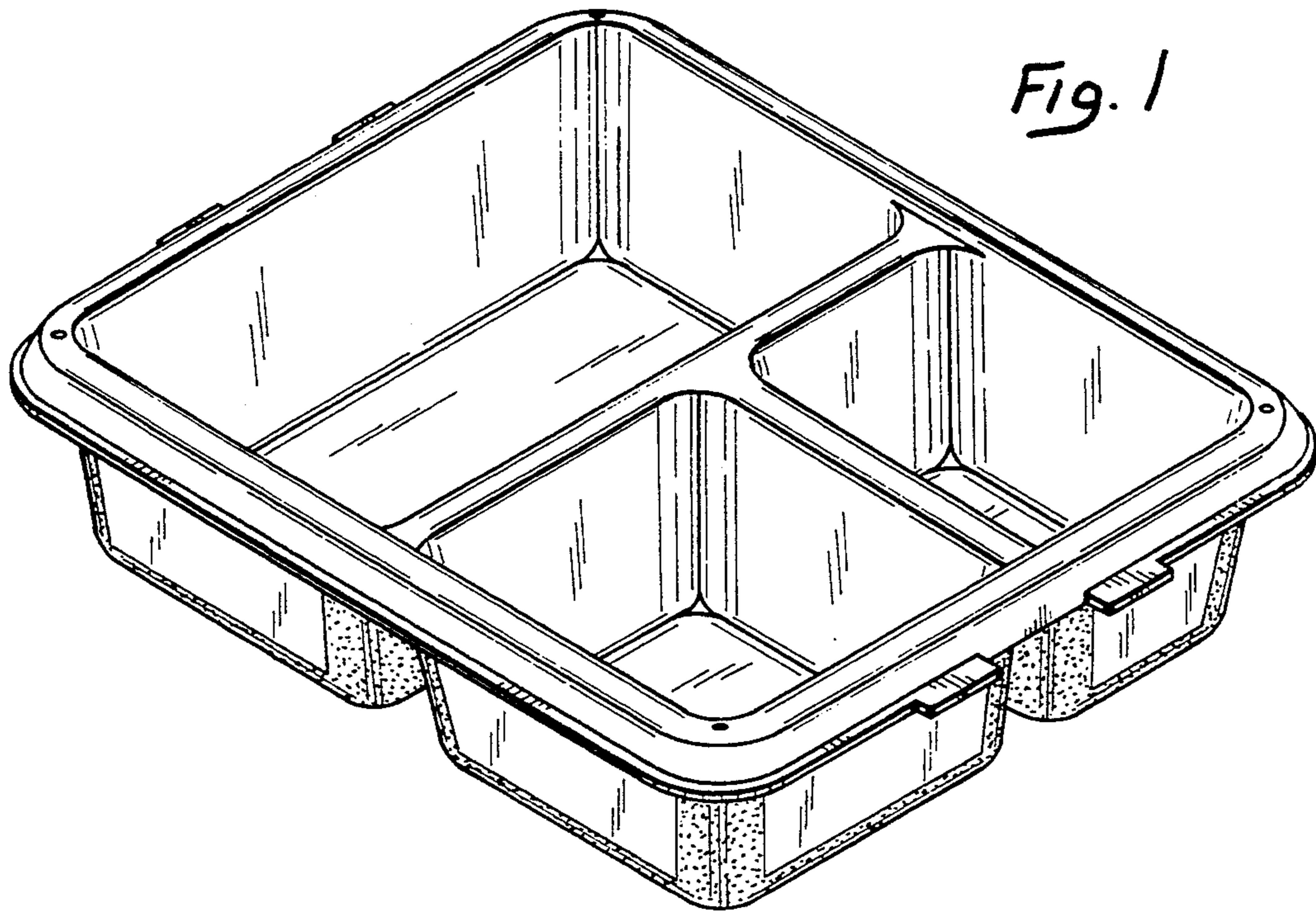


Fig. 3

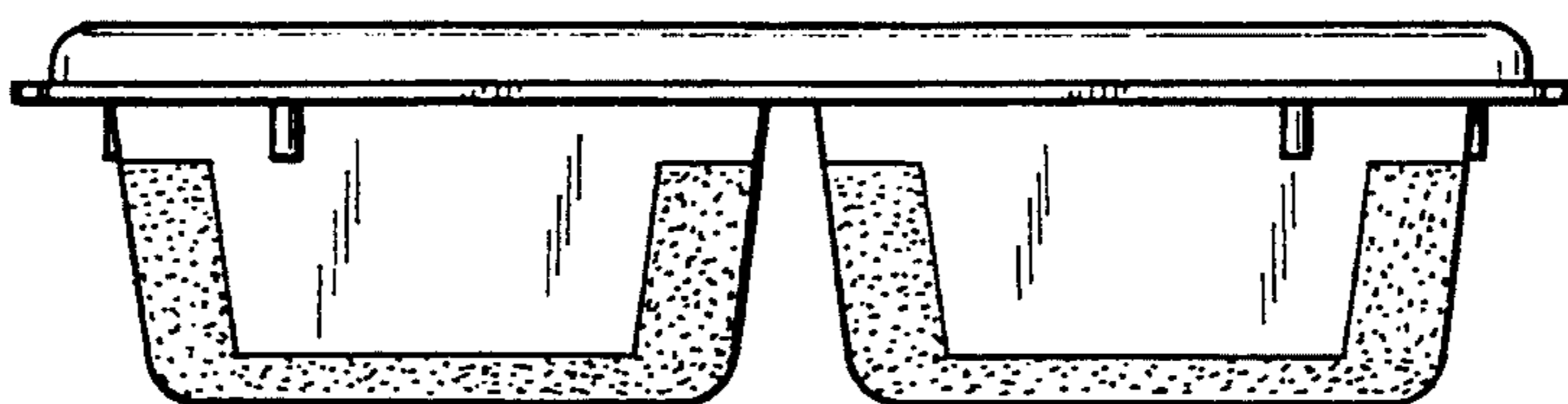
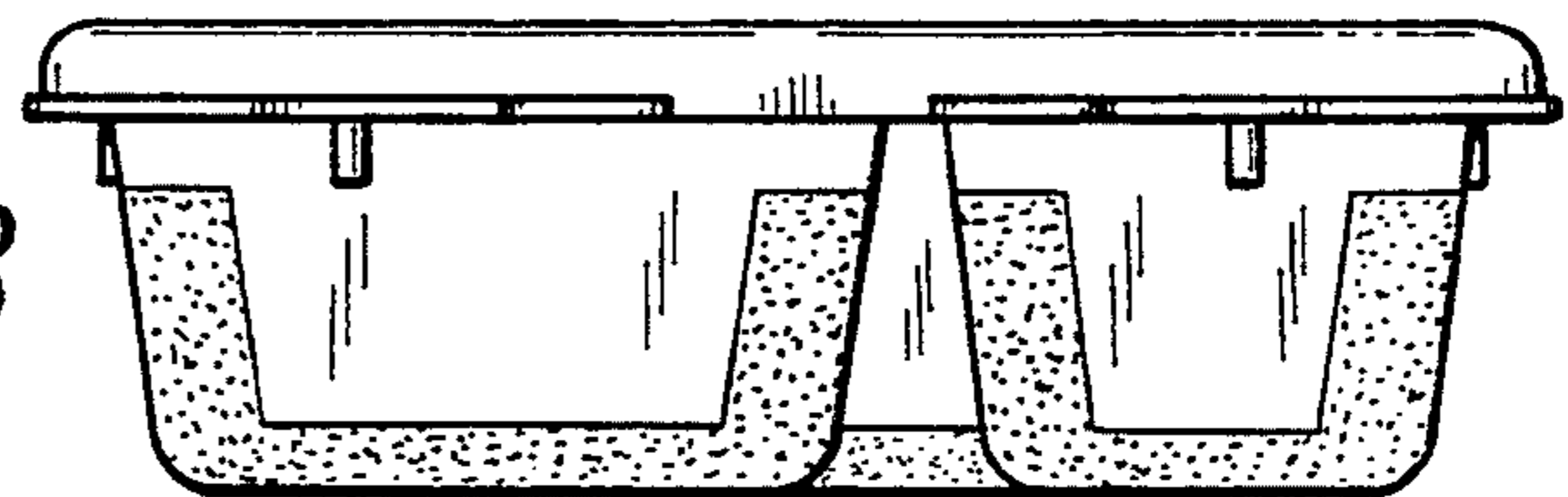


Fig. 6

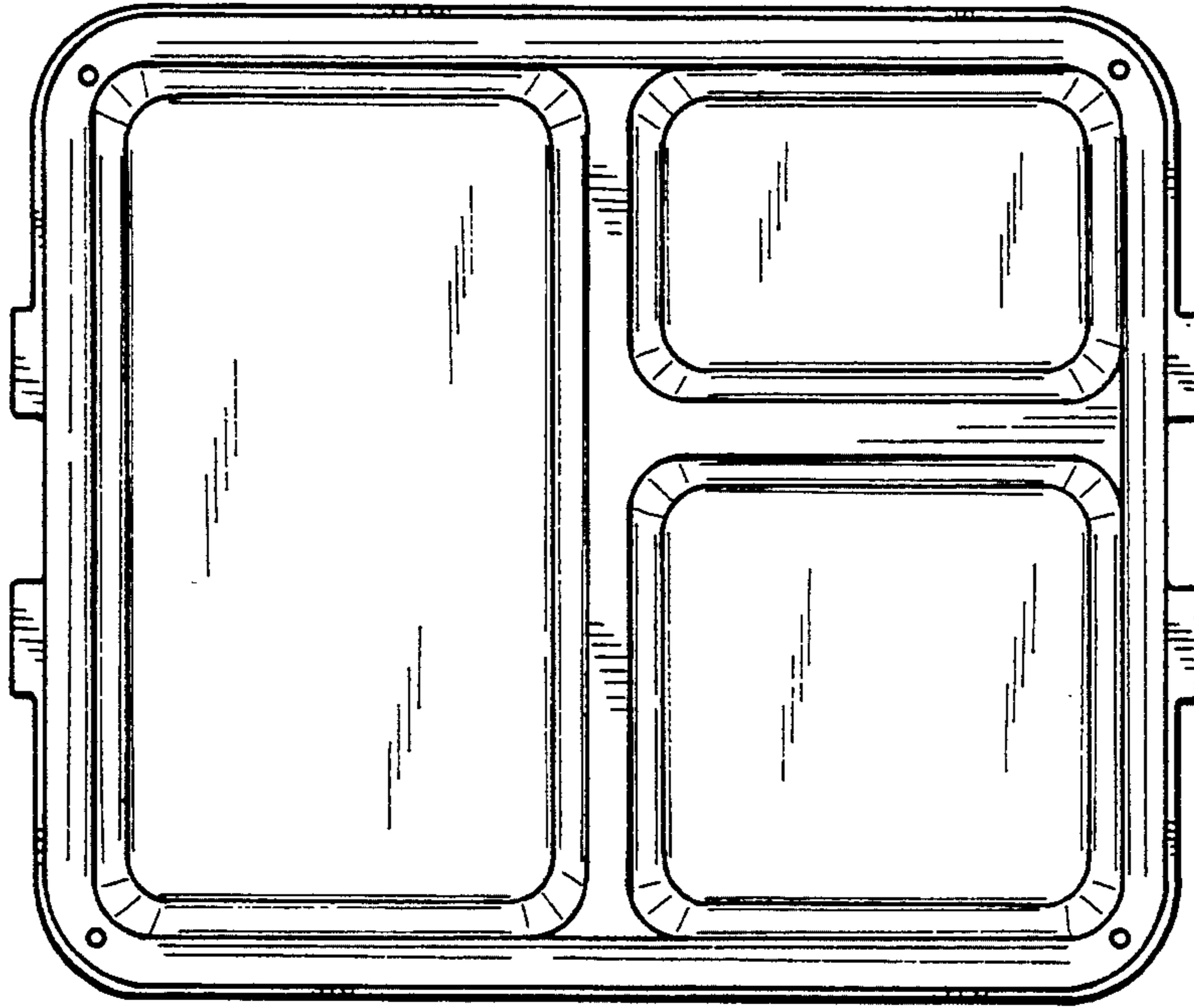


Fig. 4

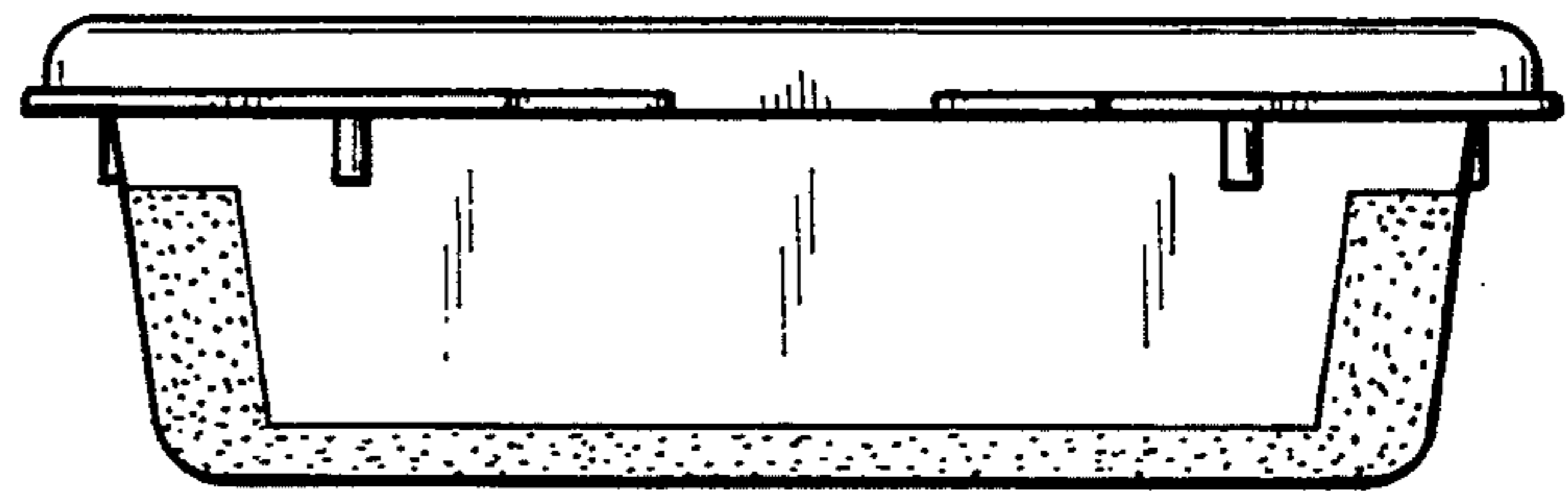


Fig. 5

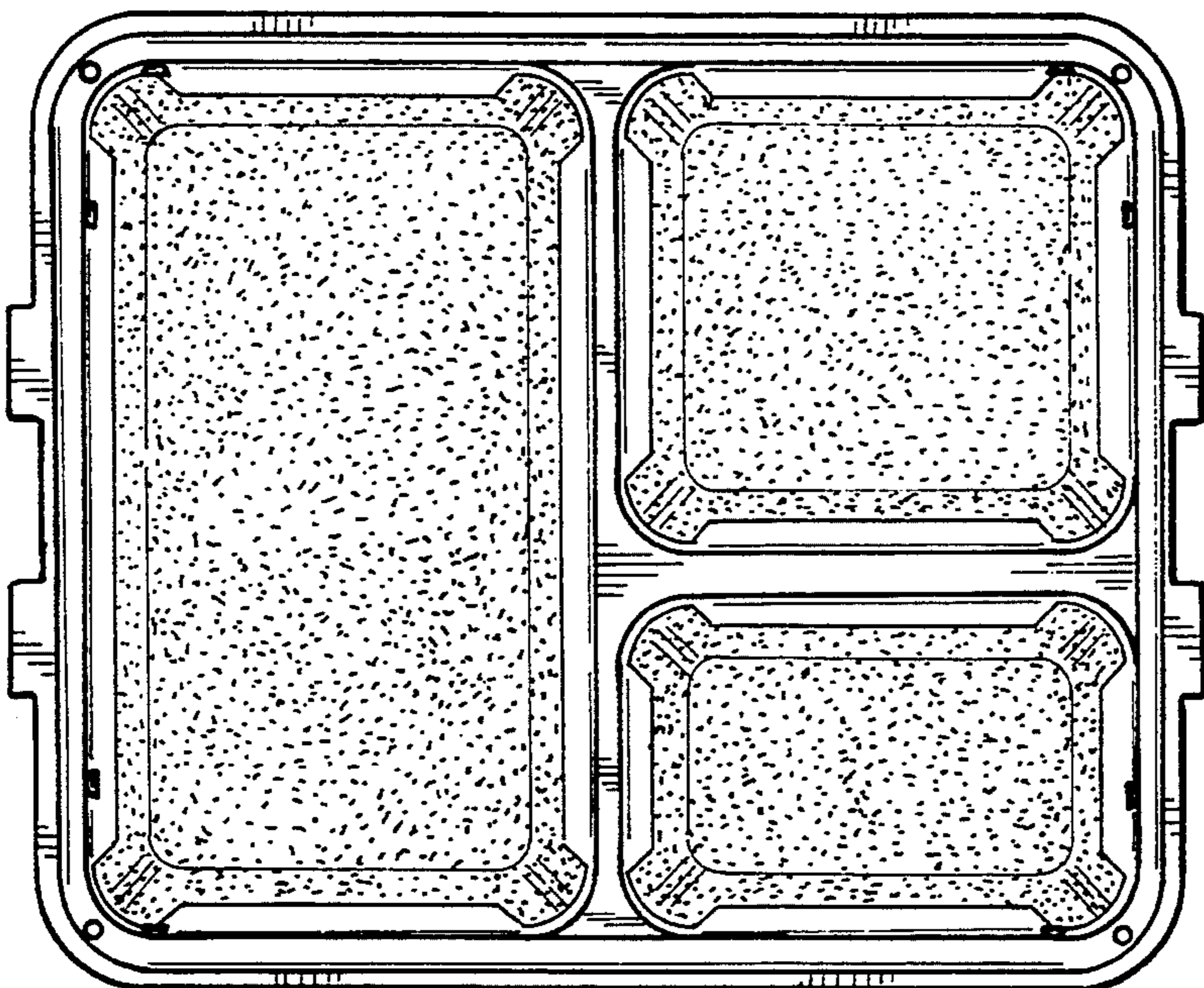


Fig. 7