



US00D352201S

# United States Patent [19]

[11] Patent Number: **Des. 352,201**

Spence, Jr.

[45] Date of Patent: **\*\* Nov. 8, 1994**

- [54] **JUVENILE DRINKING CUP**
- [75] Inventor: **Meredith Spence, Jr.**, Cuyahoga Falls, Ohio
- [73] Assignee: **Lisco, Inc.**, Tampa, Fla.
- [\*\*] Term: **14 Years**
- [21] Appl. No.: **883,708**
- [22] Filed: **May 13, 1992**
- [52] U.S. Cl. .... **D7/510; D7/510; D24/197**
- [58] Field of Search ..... **D7/507, 505, 506, 509, D7/510, 511, 533, 534, 535, 536, 538; D9/533, 443; 220/771, 23.83, 379, 212, 769, 771; 215/100 A, 11.1, 228, 99.5; D12/114; D24/197**

- D. 315,213 3/1991 Ohnuki ..... D24/197
- D. 316,652 5/1991 Hunter ..... D7/511 X
- 2,792,696 5/1959 Stayart ..... 215/99.5
- 4,096,966 6/1978 Korshak ..... D7/534 X
- 4,121,731 10/1978 Okerstrum ..... D7/510 X

*Primary Examiner*—Alan P. Douglas  
*Assistant Examiner*—M. N. Pandozzi

### [57] CLAIM

The ornamental design of the juvenile drinking cup, as shown and described.

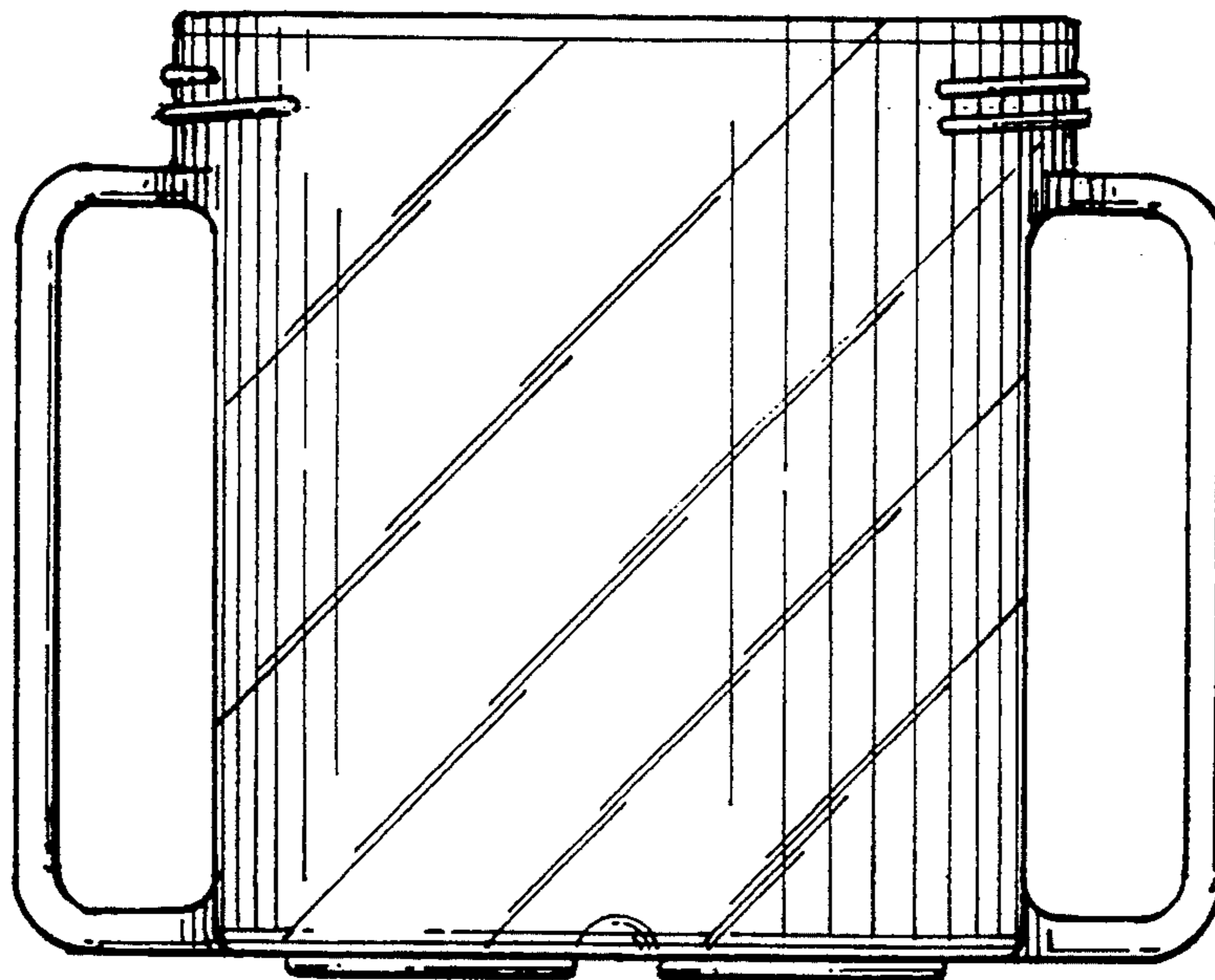
### DESCRIPTION

FIG. 1 is a front view of the juvenile drinking cup showing the design of my invention;  
 FIG. 2 is a top view showing the design of my invention;  
 FIG. 3 is a bottom view showing the design of my invention;  
 FIG. 4 is a right side view showing the design of my invention;  
 FIG. 5 is a left side view thereof;  
 FIG. 6 is a rear elevational view thereof; and,  
 FIG. 7 is a top perspective view thereof.

### [56] References Cited

#### U.S. PATENT DOCUMENTS

- D. 155,304 9/1949 McKay ..... D7/534
- D. 233,972 12/1974 Juhlin ..... D7/534 X
- D. 235,812 7/1975 Barr ..... D24/197
- D. 304,763 11/1989 Yuan et al. .... D24/197
- D. 309,948 8/1990 Chambers ..... D9/533 X



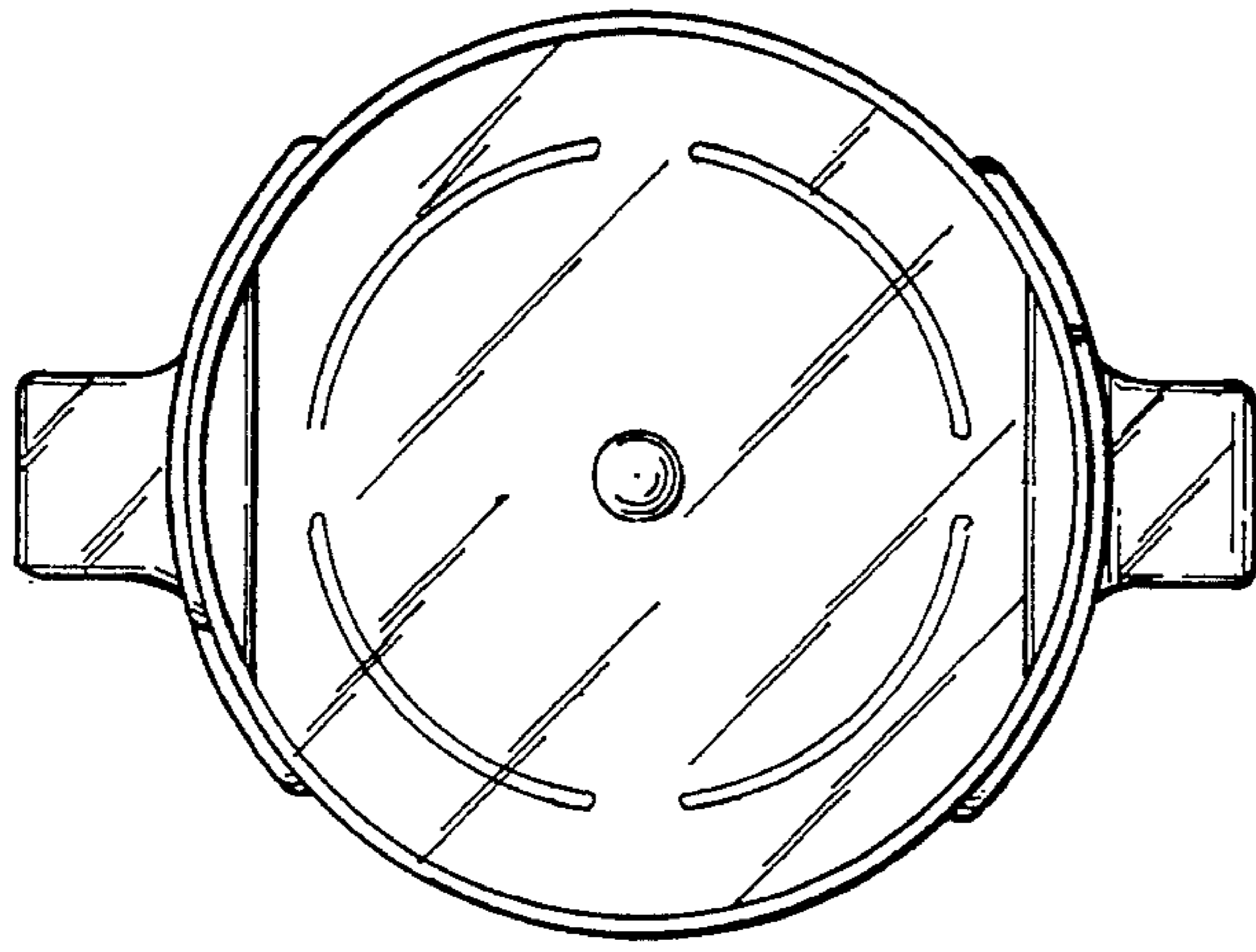


Fig. 1

Fig. 2

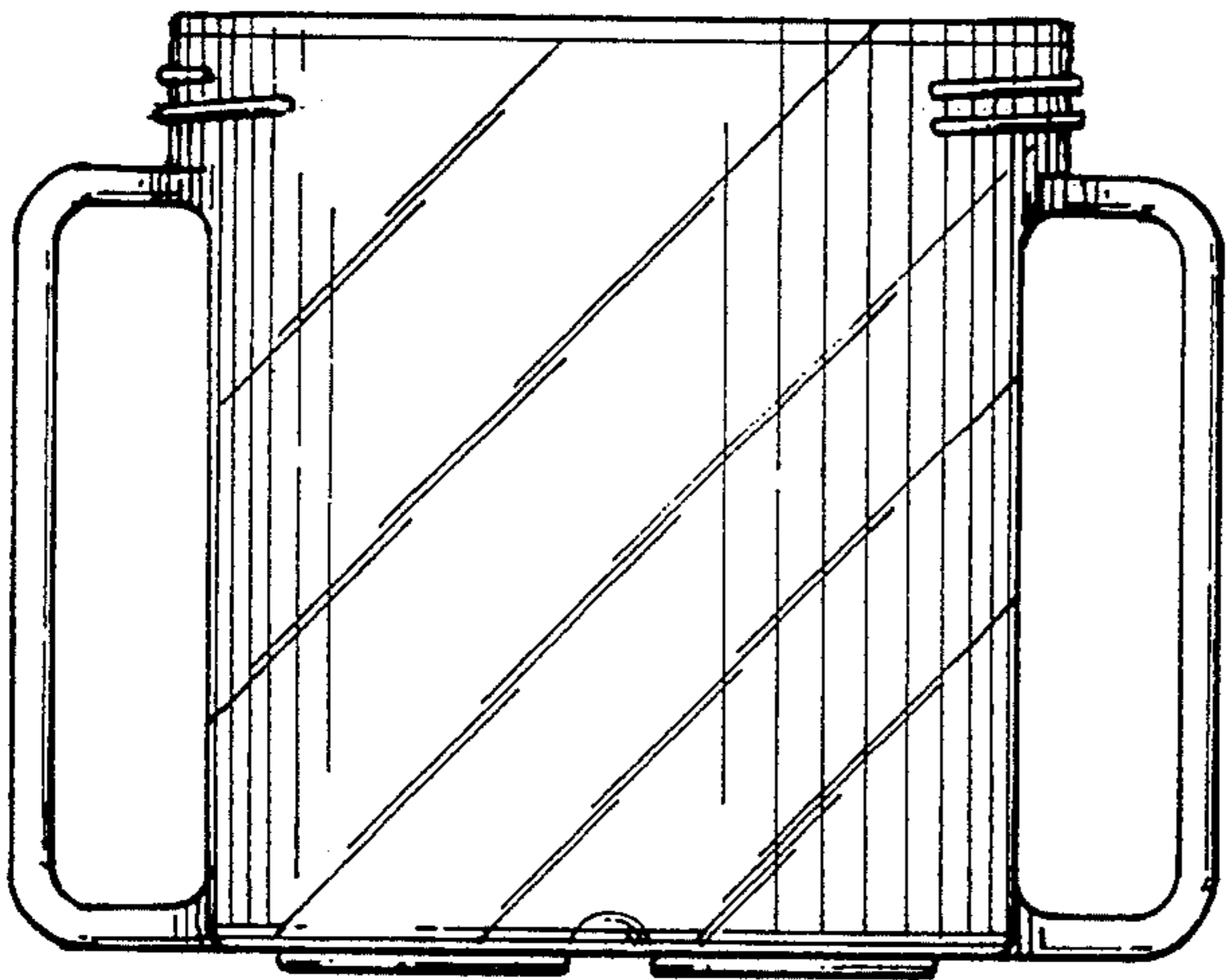


Fig. 3

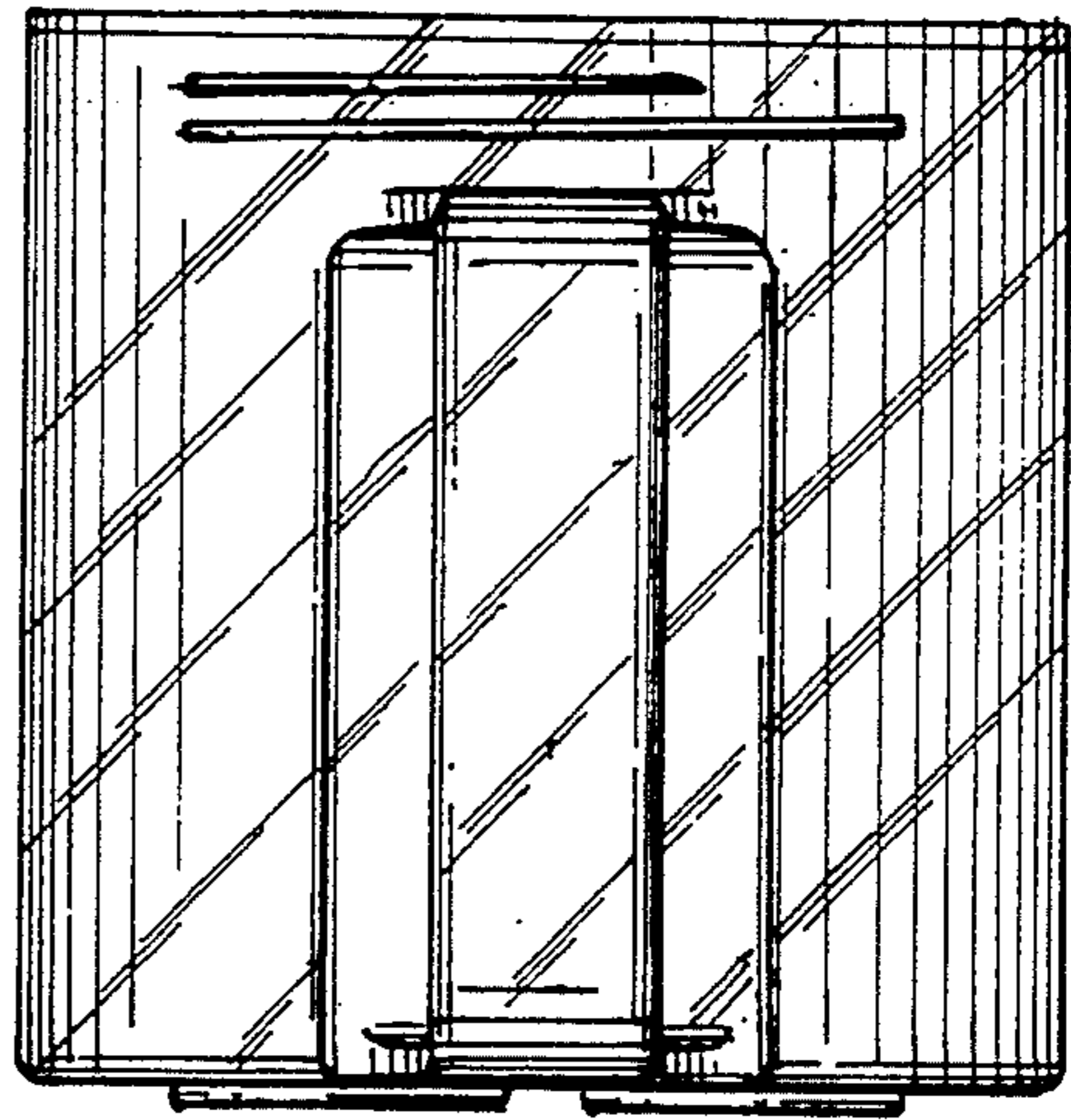


Fig. 4

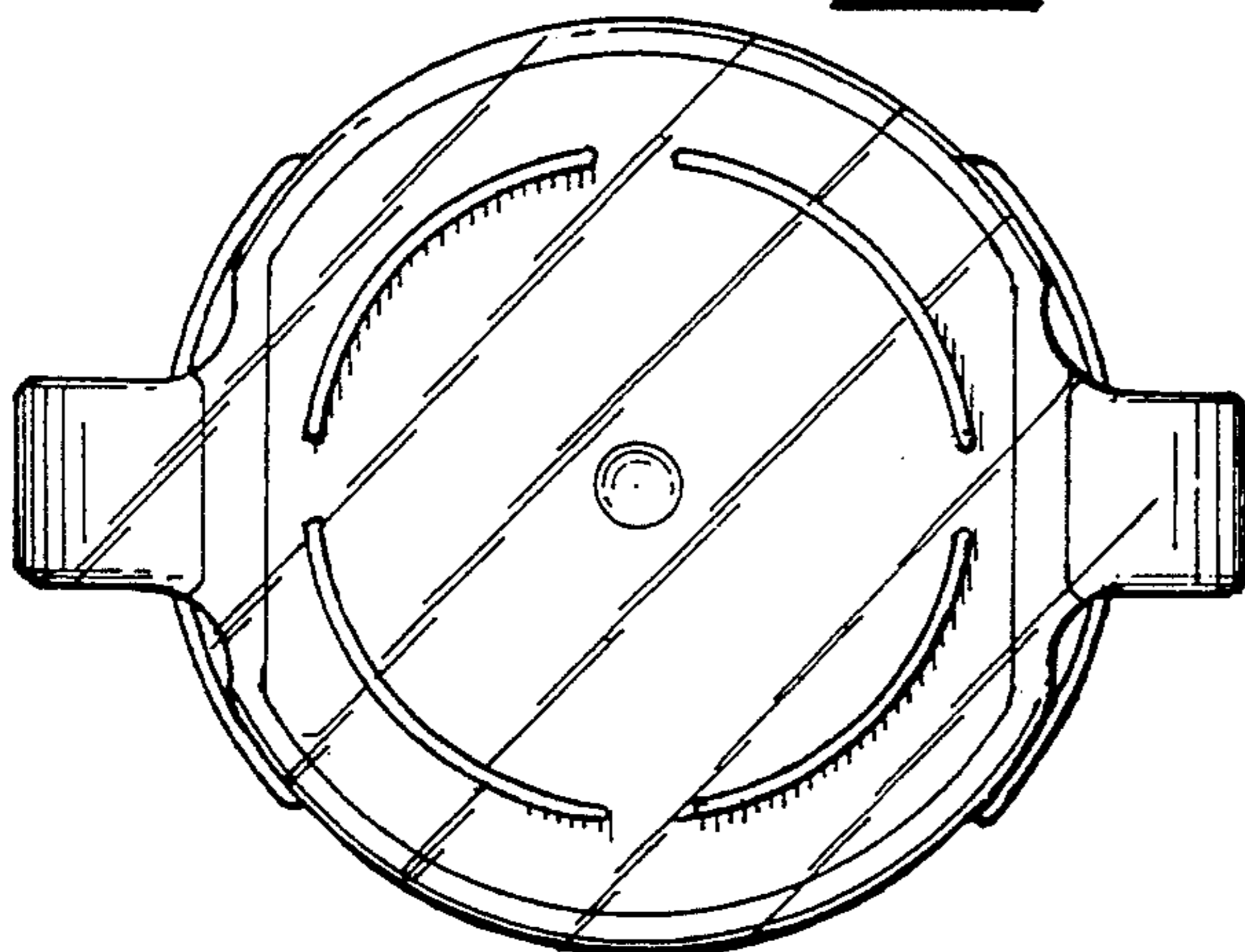
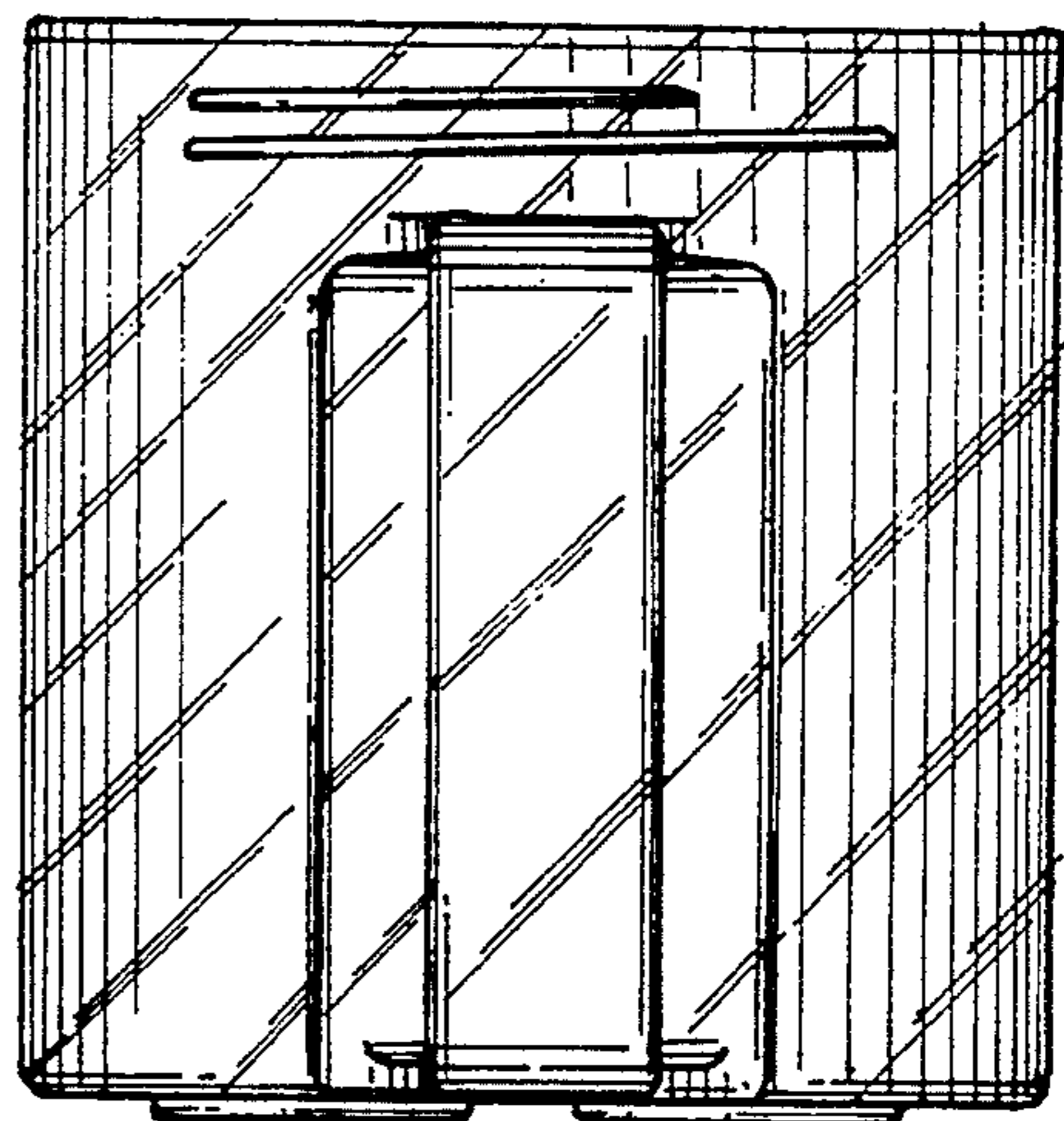


Fig. 5



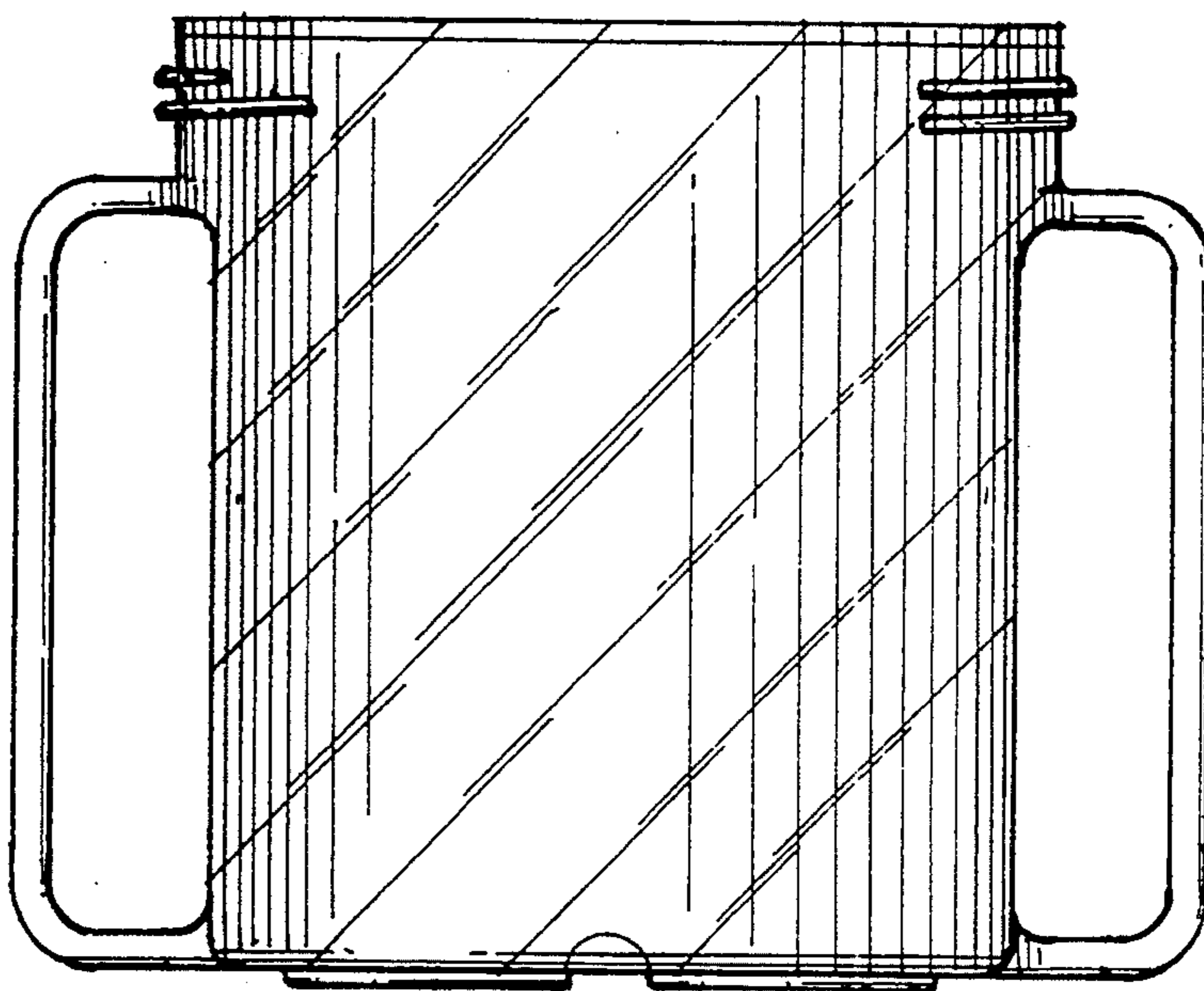


Fig. 6

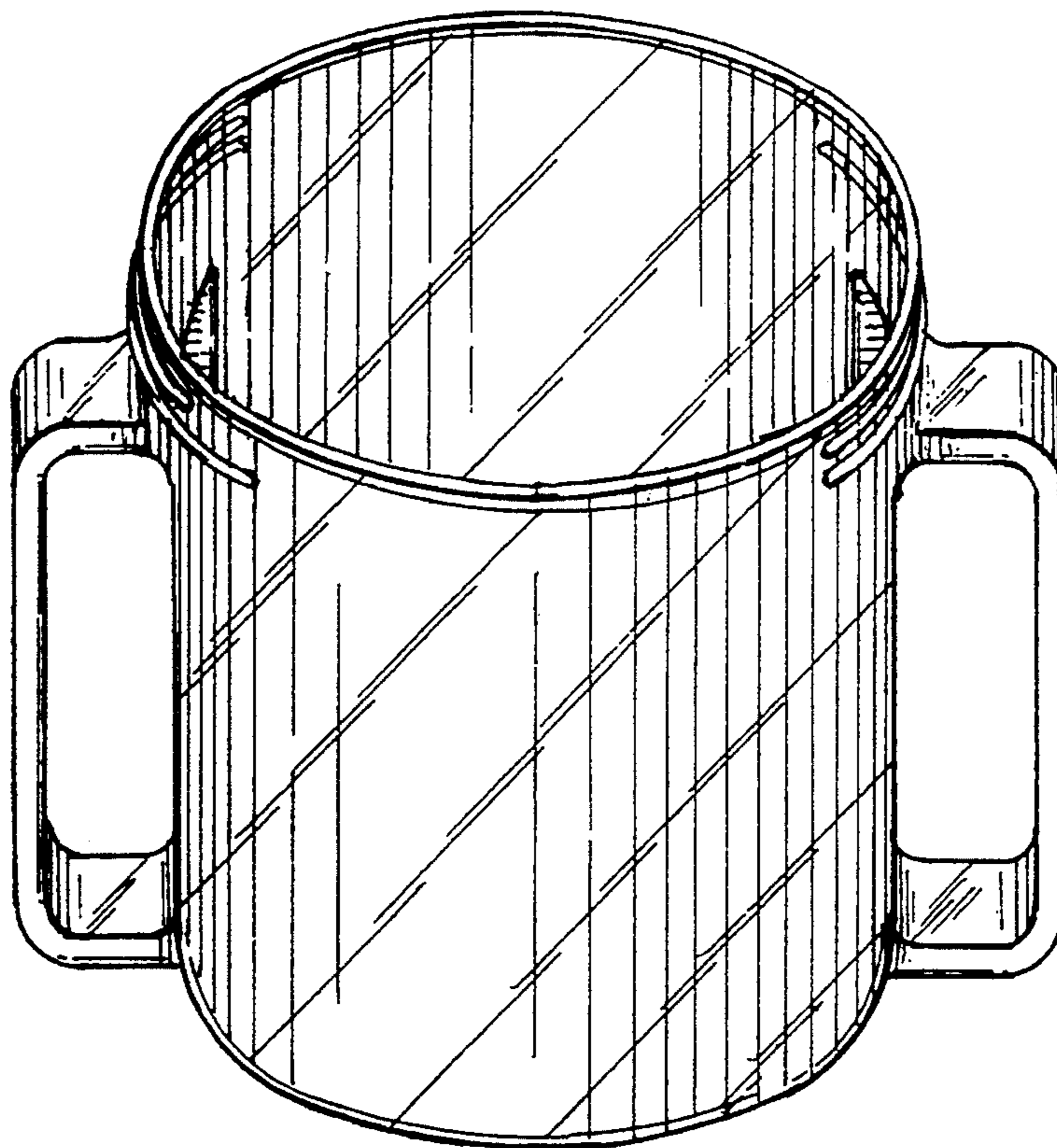


Fig. 7