



US00D352197S

United States Patent [19]

[11] Patent Number: **Des. 352,197**

LaCoco et al.

[45] Date of Patent: **** Nov. 8, 1994**

[54] **RECEPTABLE ATTACHABLE TO AN EXERCISE MACHINE**

[76] Inventors: **Frank J. LaCoco**, 7201 Sandy La., Tinley Park, Ill. 60477; **David Harlan**, 6516 Howard Ave., Indian Head Park, Ill. 60525

[**] Term: **14 Years**

[21] Appl. No.: **8,543**

[22] Filed: **May 20, 1993**

[52] U.S. Cl. **D6/567; D21/191**

[58] Field of Search **D6/512, 513, 527, 531, D6/535, 567, 552, 553; 248/317, 318; 482/900, 901; D21/191, 192, 194, 195**

[56] **References Cited**

U.S. PATENT DOCUMENTS

- D. 245,288 8/1977 Roark et al. D6/512
- D. 272,025 1/1984 Goutchat D6/567

- D. 318,771 8/1991 Wellner D6/567
- D. 331,085 11/1992 Beyer D21/191
- D. 340,622 10/1993 Park et al. D6/513
- 4,869,385 9/1989 Blinsinger 248/318

Primary Examiner—Bernard Ansher
Assistant Examiner—Philip Hyder
Attorney, Agent, or Firm—Edward D. Gilhooly

[57] **CLAIM**

The ornamental design for receptable attachable to an exercise machine, as shown.

DESCRIPTION

FIG. 1 is a front perspective view of the receptable attachable to an exercise machine showing my design; FIG. 2 is a front elevational view thereof; FIG. 3 is a back elevational view thereof; FIG. 4 is a left side elevational view thereof; FIG. 5 is a top plan view thereof; FIG. 6 is a bottom plan view thereof; and, FIG. 7 is a right side elevational view thereof.

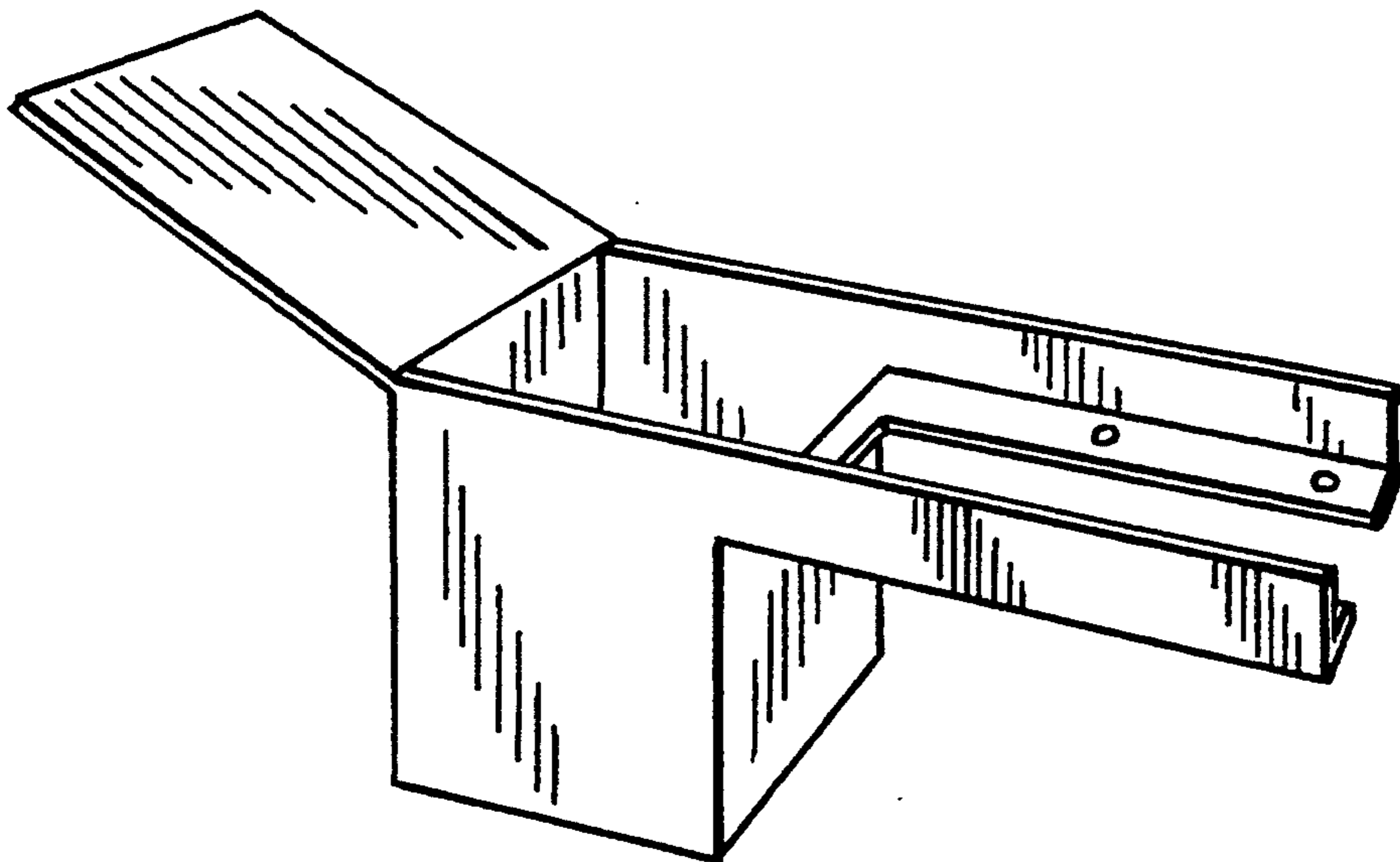


FIG. 1

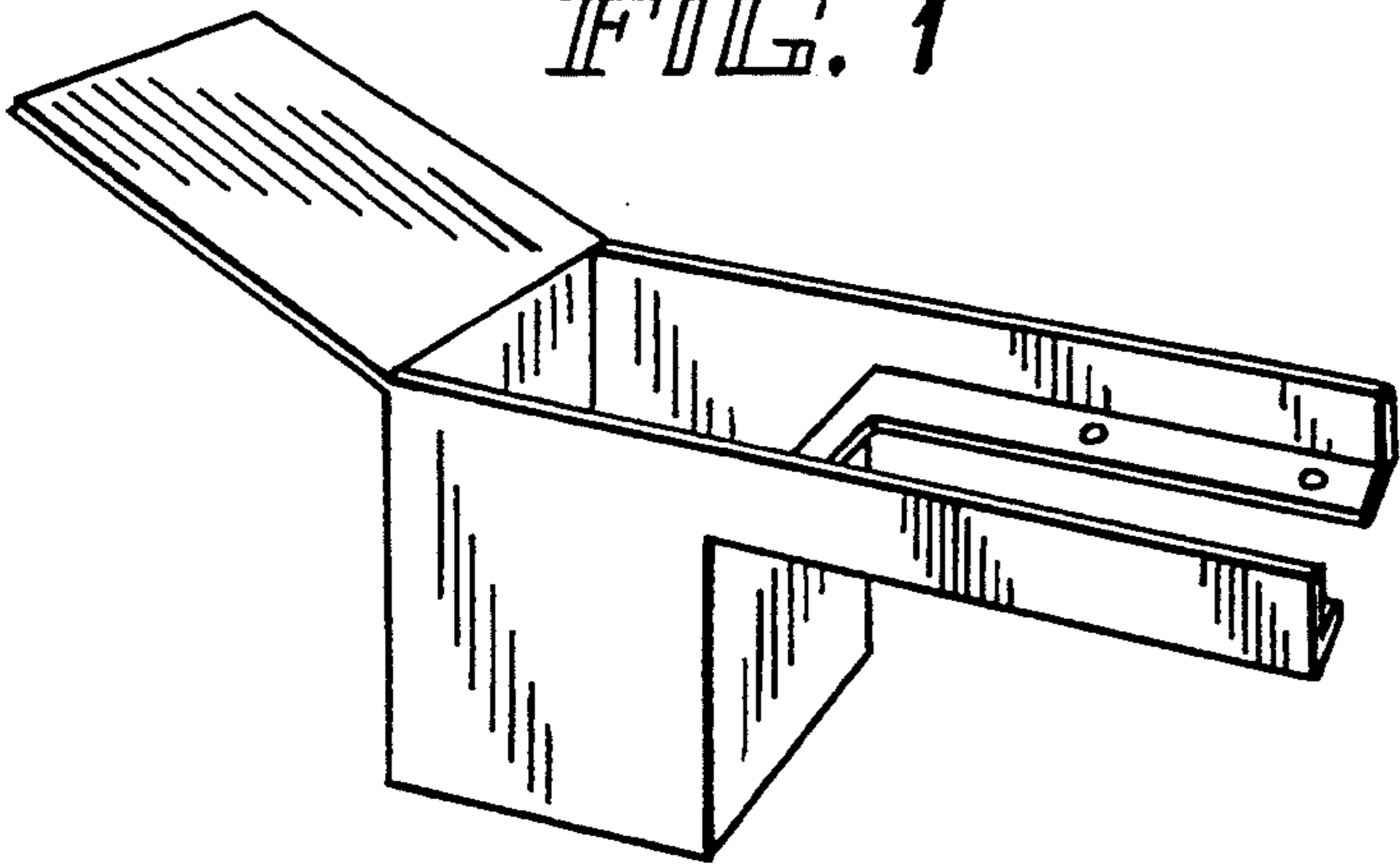


FIG. 2

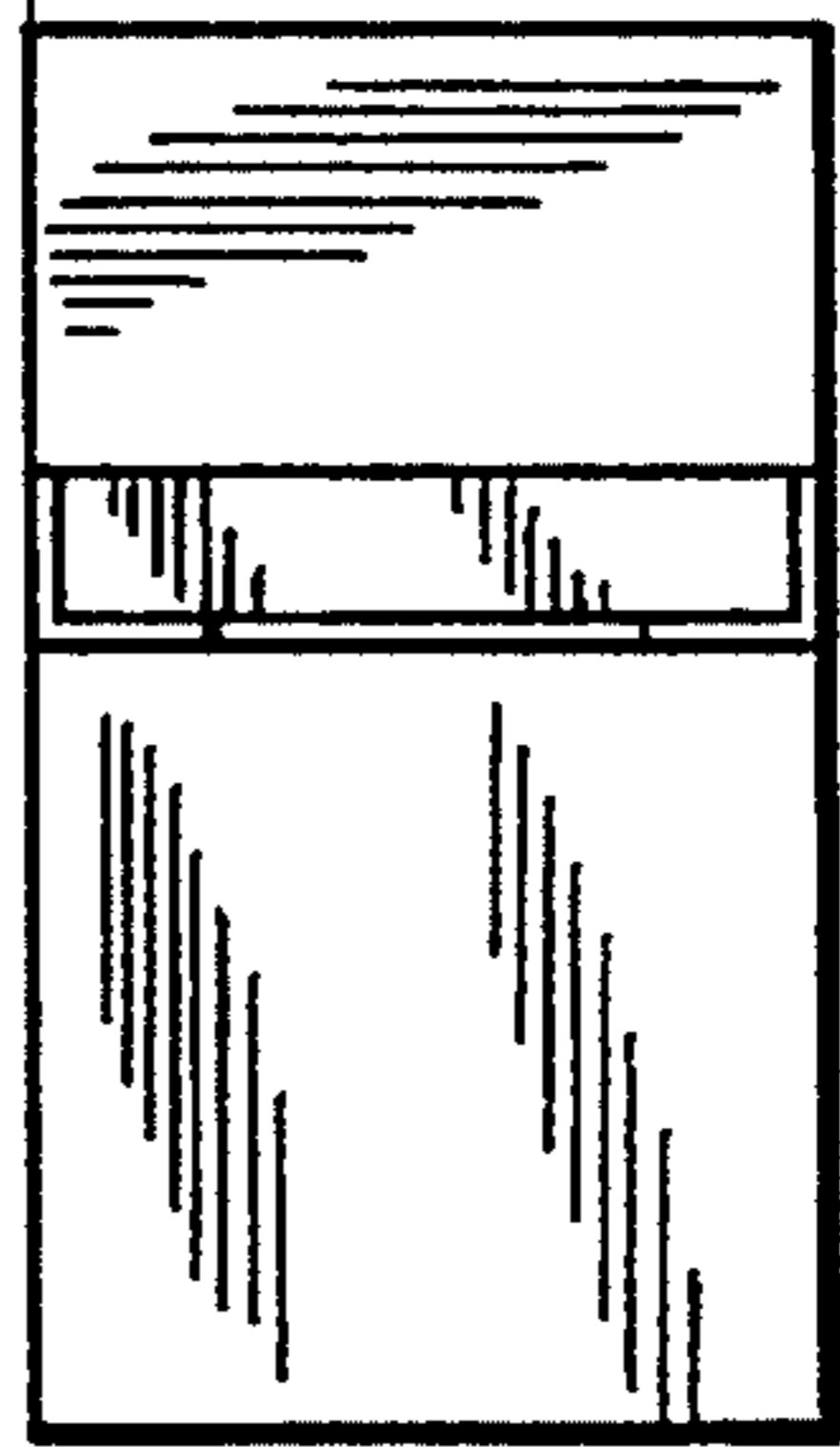


FIG. 4

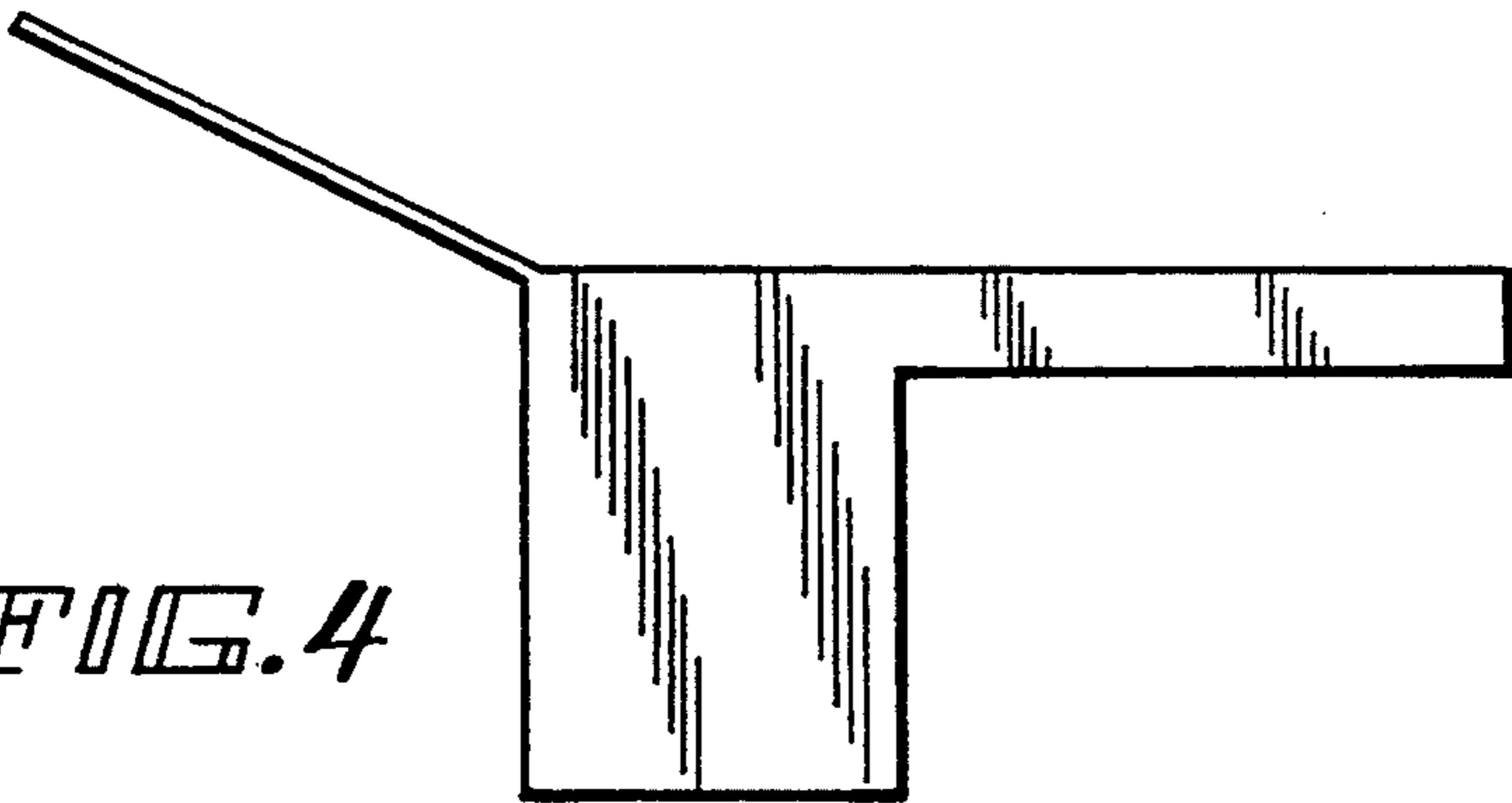


FIG. 3

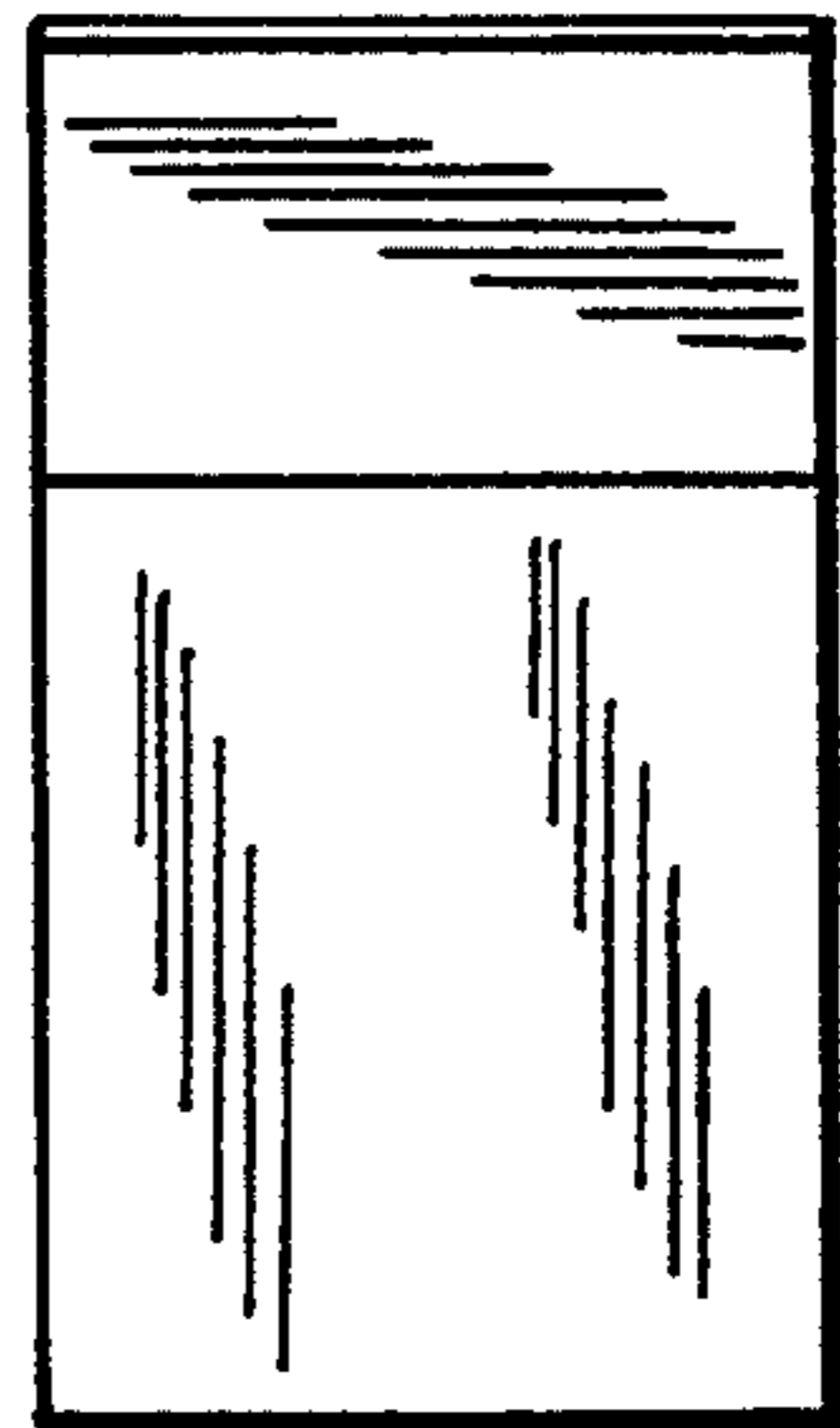


FIG. 5

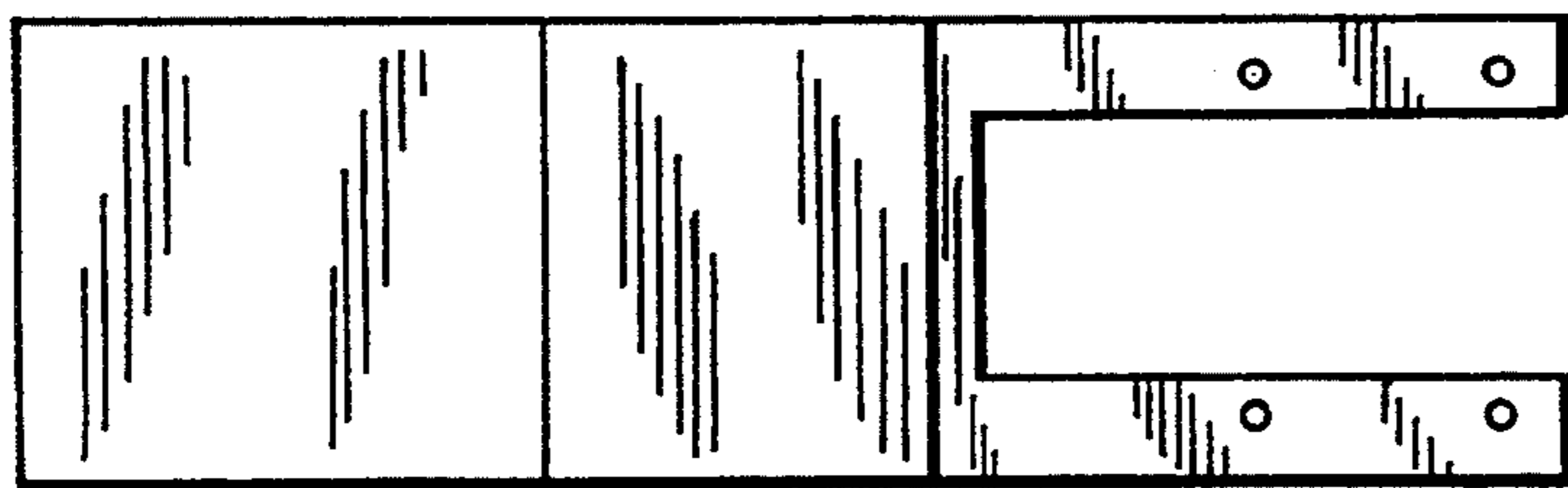
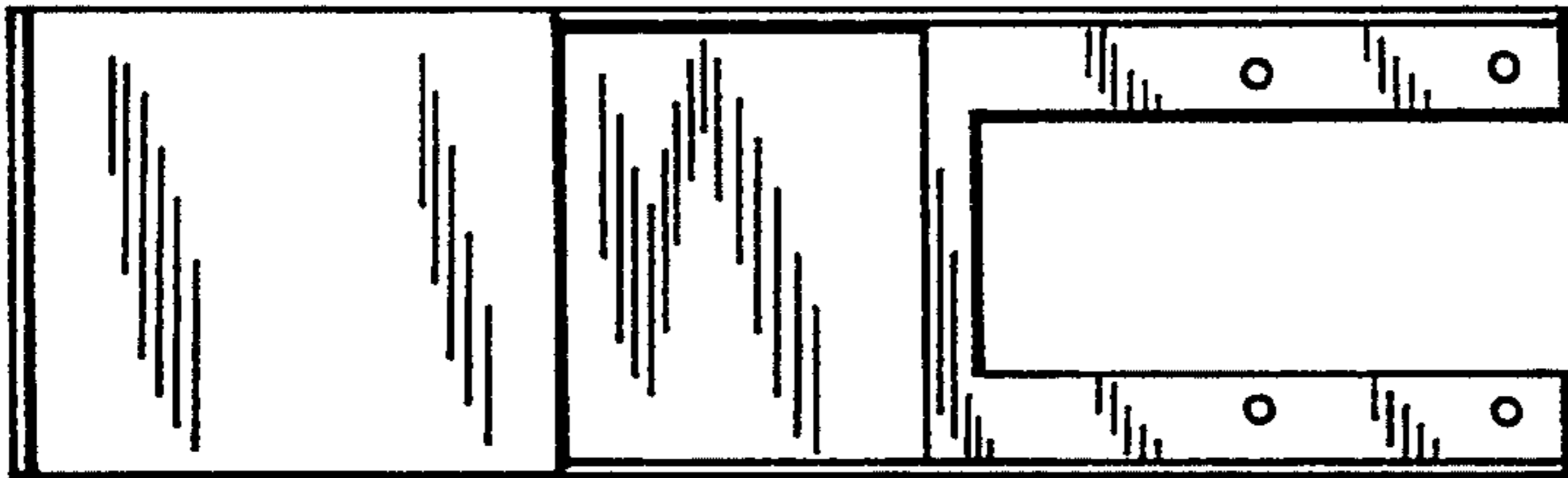


FIG. 6

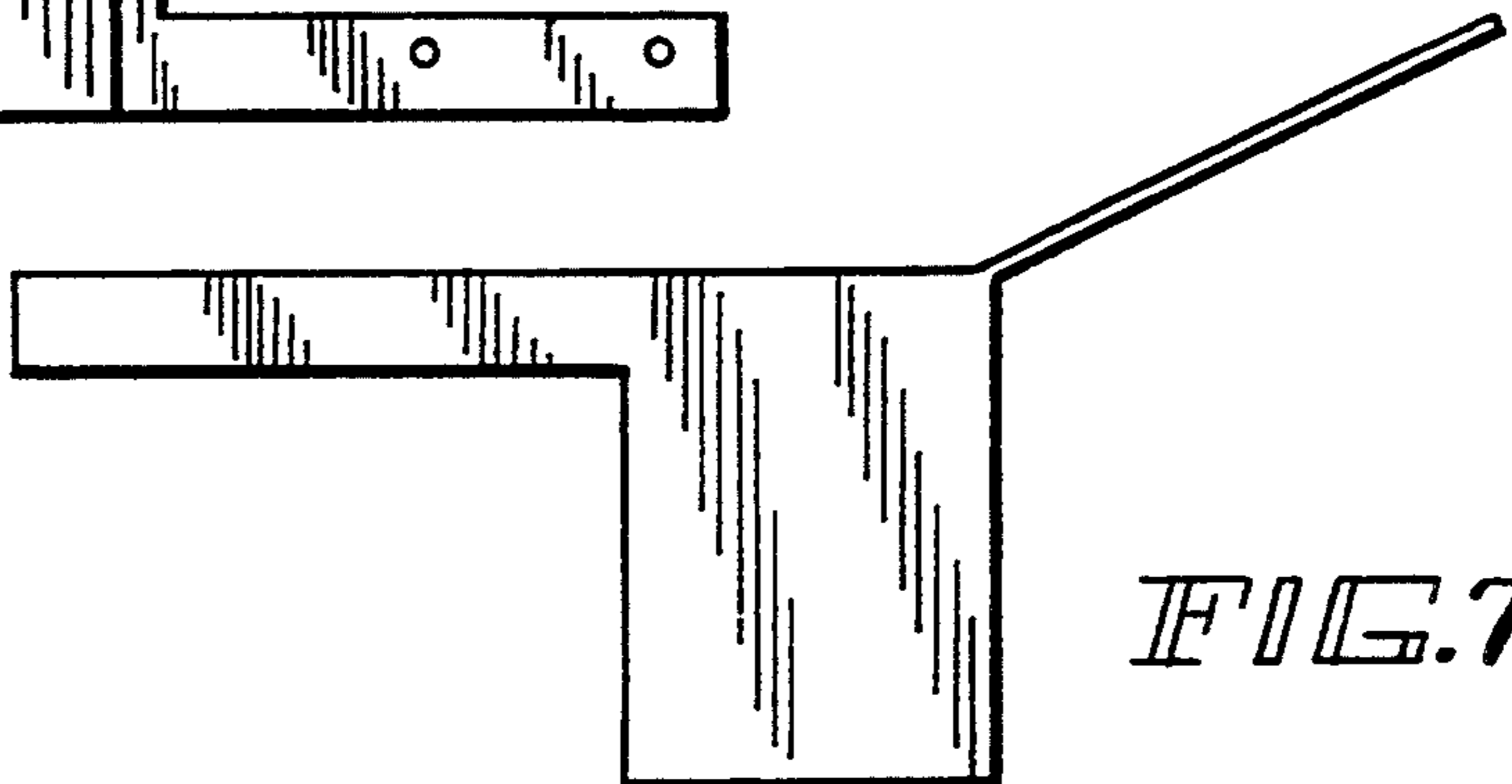


FIG. 7

UNITED STATES PATENT AND TRADEMARK OFFICE
CERTIFICATE OF CORRECTION

PATENT NO. : Des. 352,197
DATED : November 8, 1994
INVENTOR(S) : LA COCO, ET AL

It is certified that error appears in the above-identified patent and that said Letters Patent is hereby corrected as shown below:

ON THE TITLE PAGE:
IN THE TITLE

Delete "RECEPTABLE" and insert --RECEPTACLE--

IN THE CLAIM

Line 1, delete "receptable" and insert --receptacle--

IN THE DESCRIPTION

Line 1, delete "receptable" and insert --receptacle--

Signed and Sealed this

Twenty-eighth Day of November 1995

Attest:



BRUCE LEHMAN

Attesting Officer

Commissioner of Patents and Trademarks