



US00D352195S

United States Patent [19]

[11] Patent Number: **Des. 352,195**

Rogers et al.

[45] Date of Patent: **** Nov. 8, 1994**

[54] **COMBINED CLOSET SHELF AND HANGER ROD UNIT**

[75] Inventors: **Richard D. Rogers; Charles Camilleri**, both of St. Louis, Mo.

[73] Assignee: **Lee Rowan Company**, St. Louis, Mo.

[**] Term: **14 Years**

[21] Appl. No.: **899**

[22] Filed: **Oct. 28, 1992**

Related U.S. Application Data

[63] Continuation of Ser. No. 771,763, Oct. 4, 1991, abandoned.

[52] U.S. Cl. **D6/511; D6/509**

[58] Field of Search **D6/511, 566; 108/29; 211/90, 134, 180**

[56] References Cited

U.S. PATENT DOCUMENTS

- D. 266,130 9/1982 Gimmi et al. D6/566
- 505,360 9/1893 Hilliard .
- 1,391,495 9/1921 Parsons .
- 1,576,784 3/1926 Planett .
- 2,271,784 2/1942 Tritt .
- 2,612,273 9/1952 Smith .
- 2,788,885 4/1957 Begent .
- 2,859,879 11/1958 Rogers et al. .
- 2,870,916 1/1959 Bonia et al. .
- 3,141,556 7/1964 Klosterman .
- 3,225,940 12/1965 Story .
- 3,598,064 8/1971 Stempel .

- 3,688,915 9/1972 Ramsey .
- 3,978,799 9/1976 Escalette D6/566 X
- 4,316,593 2/1982 Miner et al. .
- 4,493,423 1/1985 Kaeslin et al. 108/29 X
- 4,671,419 6/1987 Beverly .
- 4,717,104 1/1988 Lee 211/90 X
- 4,783,035 11/1988 Remmers 211/134 X
- 5,050,750 9/1991 Mason .

FOREIGN PATENT DOCUMENTS

- 1251070 12/1960 France .
- 2562777 10/1985 France .
- 2007991 9/1971 Germany .
- 164969 9/1957 Sweden .

Primary Examiner—Wallace R. Burke
Assistant Examiner—Monica A. Hannon
Attorney, Agent, or Firm—Rogers, Howell & Haferkamp

[57] CLAIM

The ornamental design for a combined closet shelf and hanger rod unit, as shown and described.

DESCRIPTION

FIG. 1 is a perspective view of a combined closet shelf and hanger rod unit showing our new design; FIG. 2 is a top plan view thereof; FIG. 3 is a front elevational view thereof; FIG. 4 is a left end elevational view thereof; FIG. 5 is a right end elevational view thereof; FIG. 6 is a rear elevational view thereof; and, FIG. 7 is a bottom plan view thereof. The shelf unit is shown broken away in the views to indicate indeterminate length.

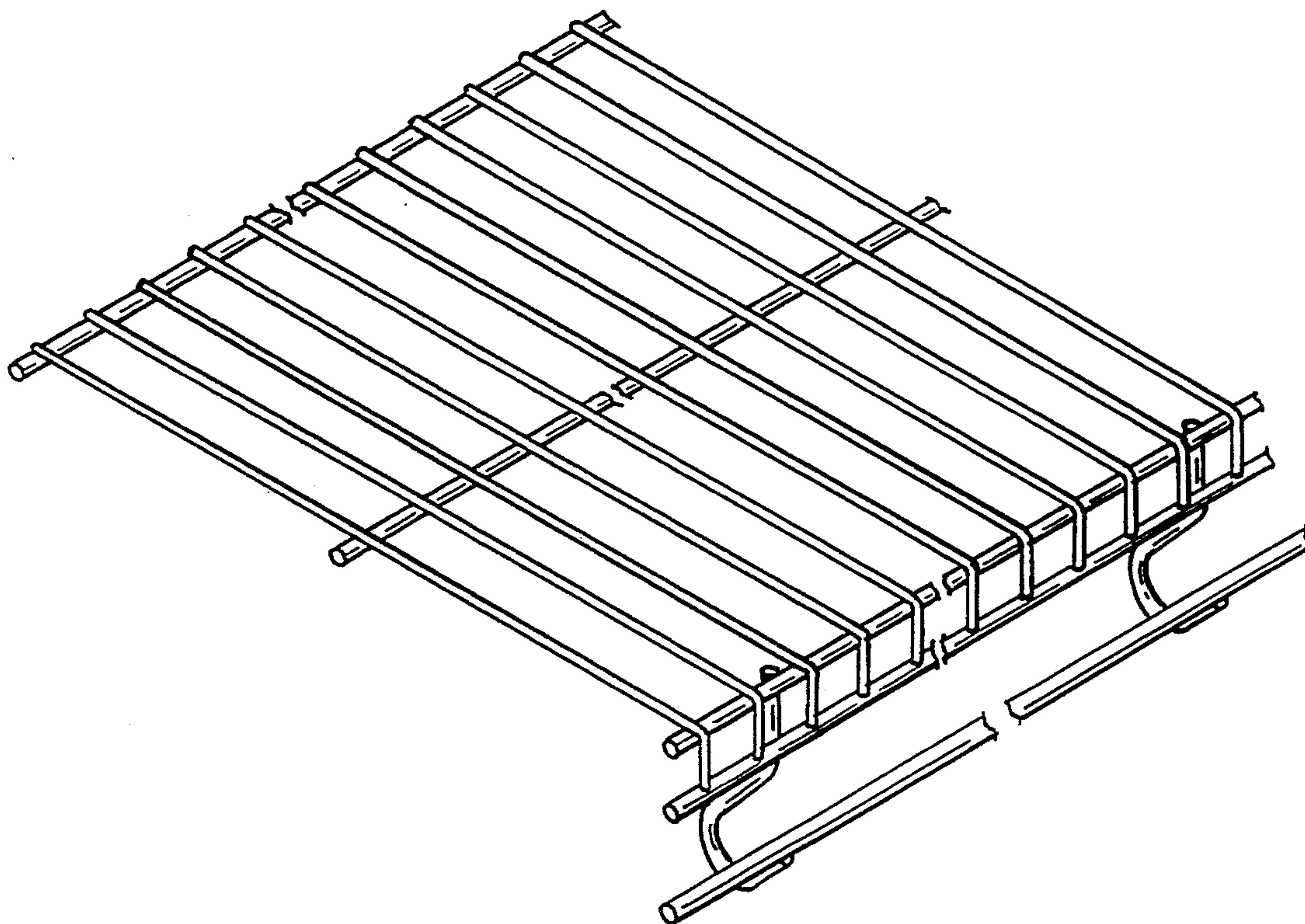


FIG. 1.

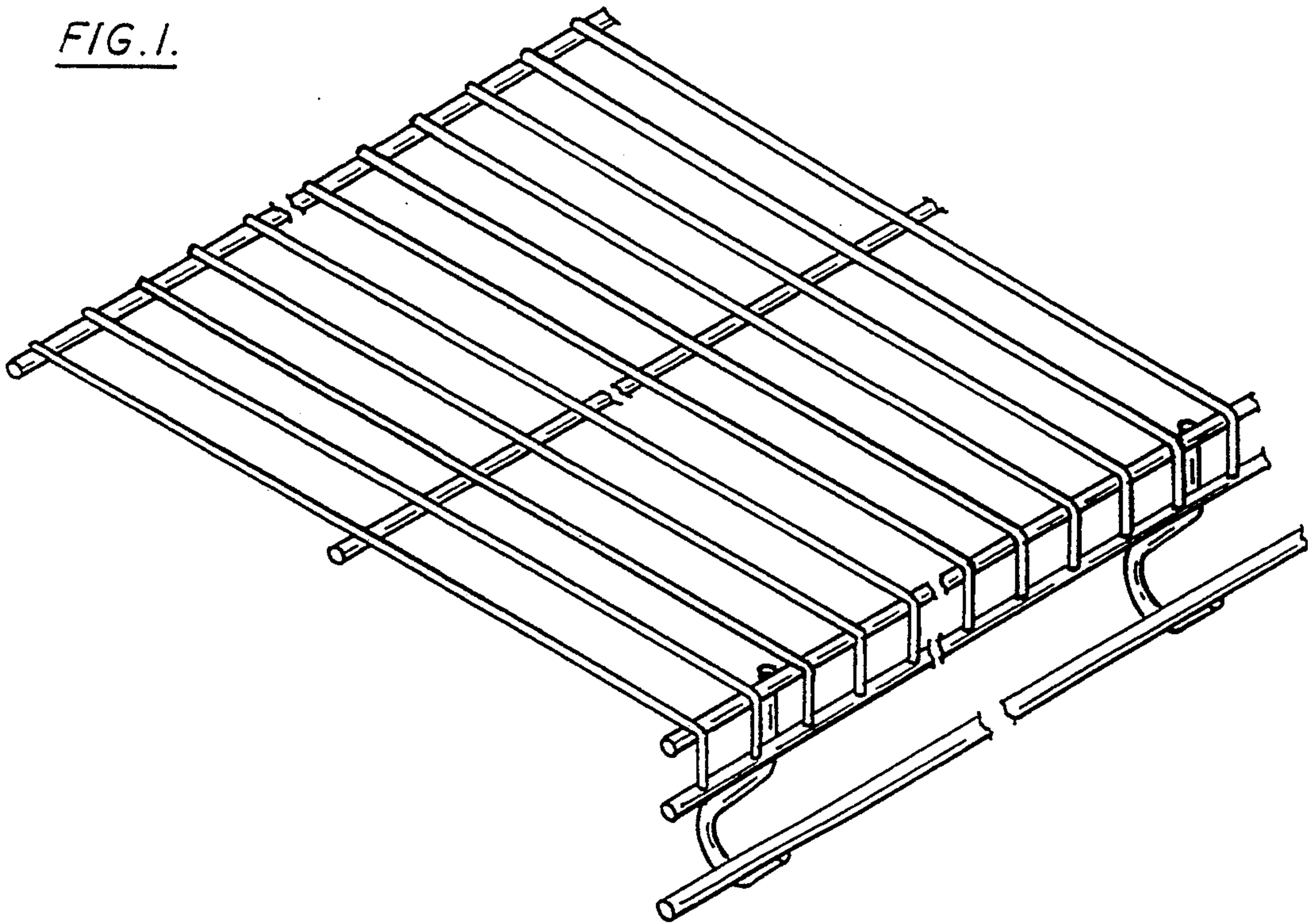
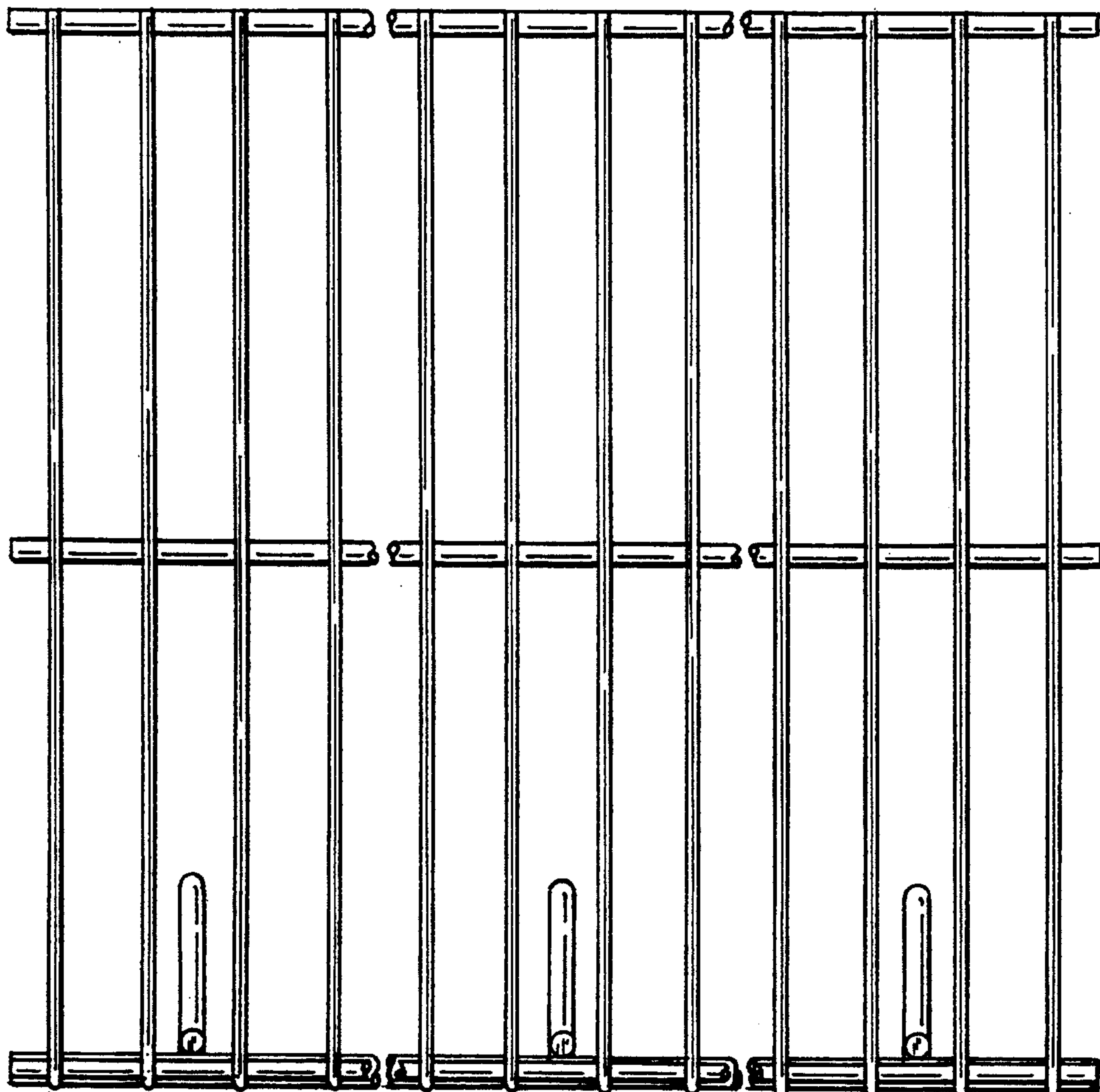


FIG. 2.



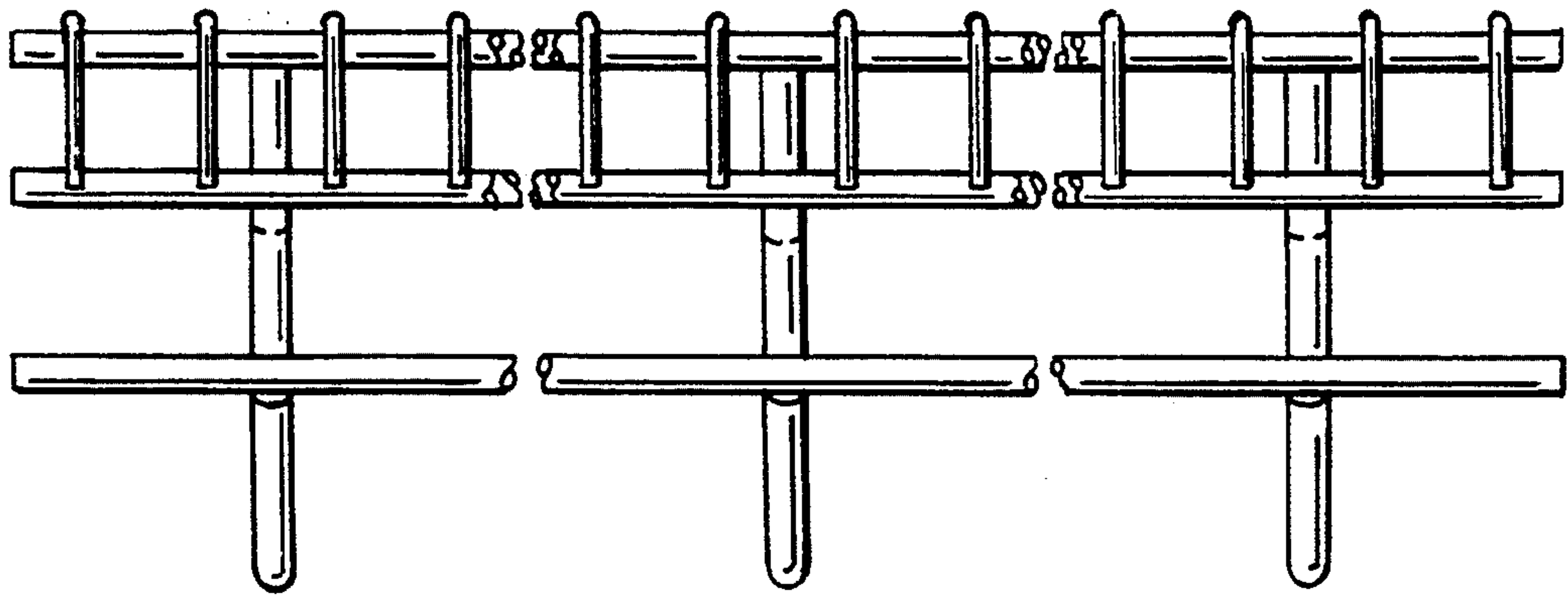


FIG. 3.

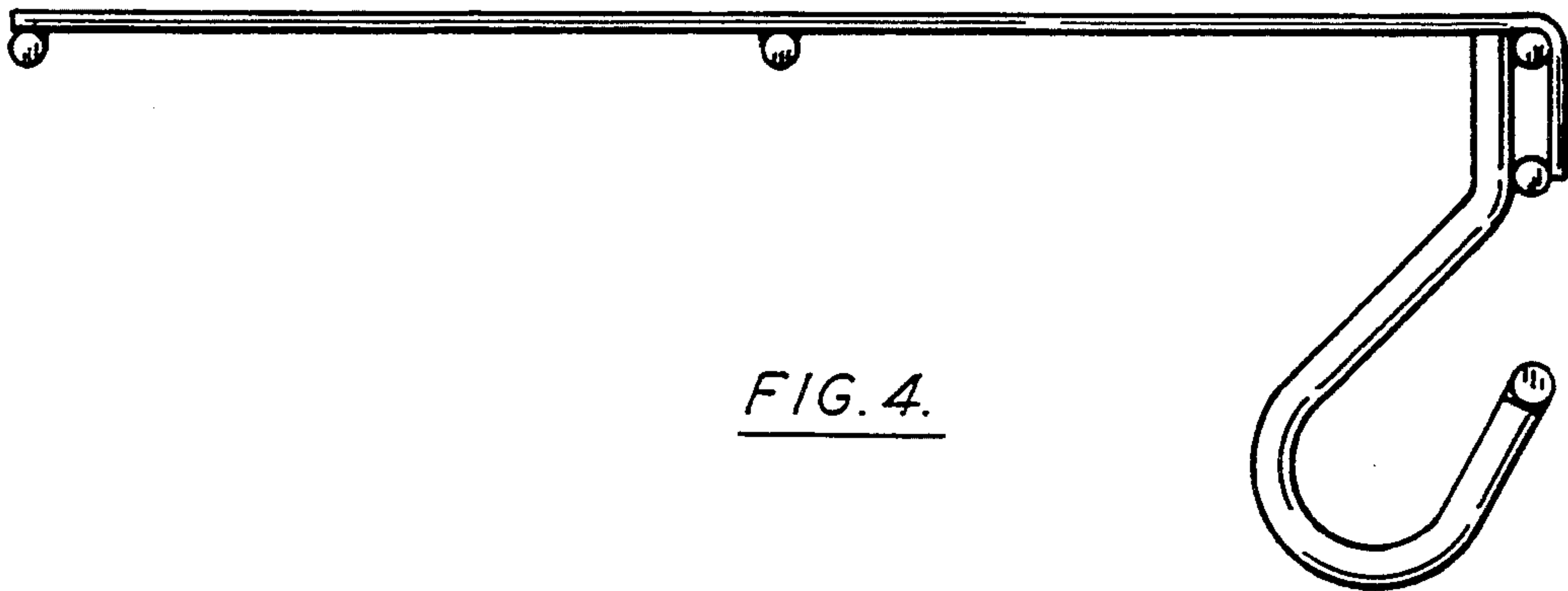


FIG. 4.

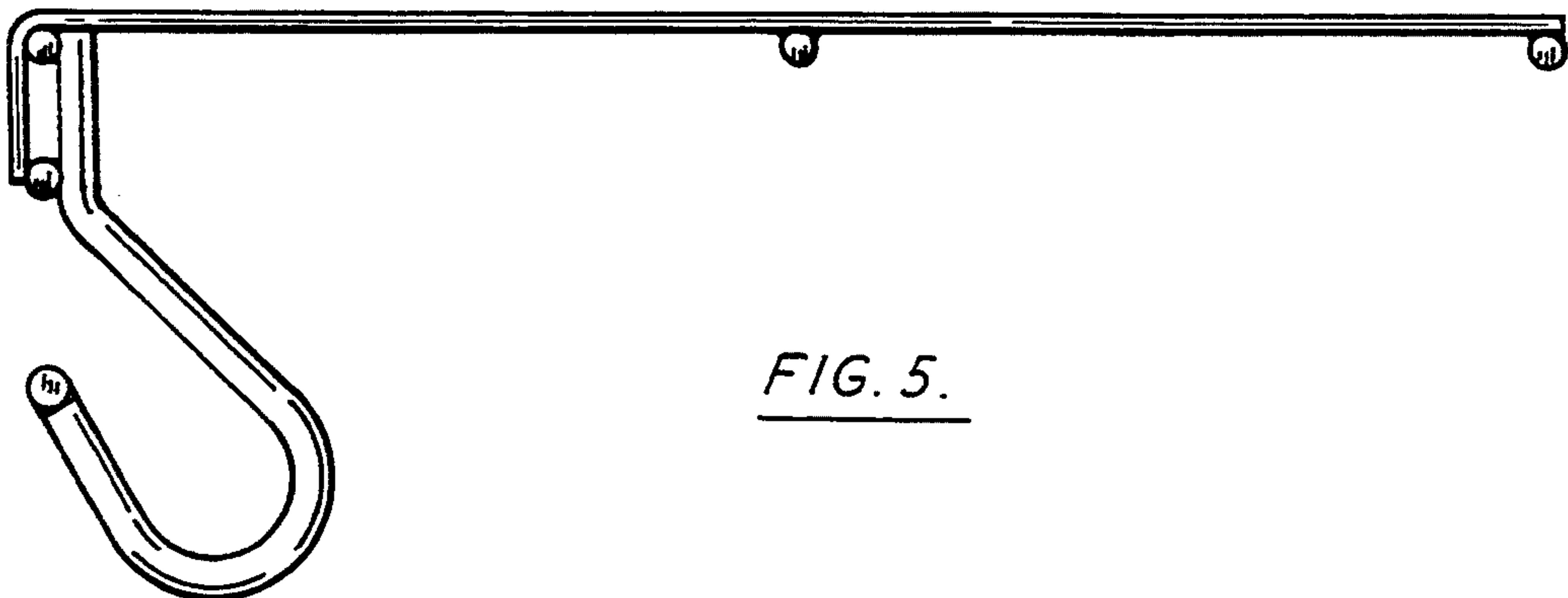


FIG. 5.

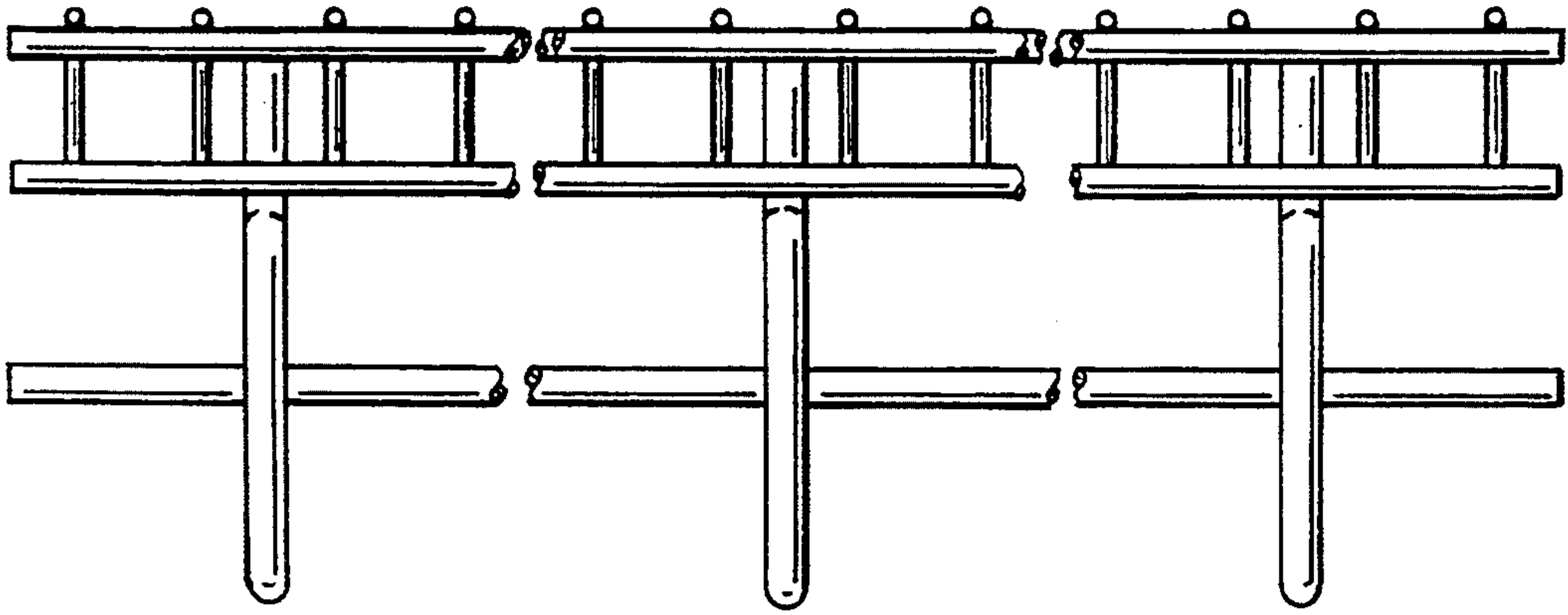


FIG. 6.

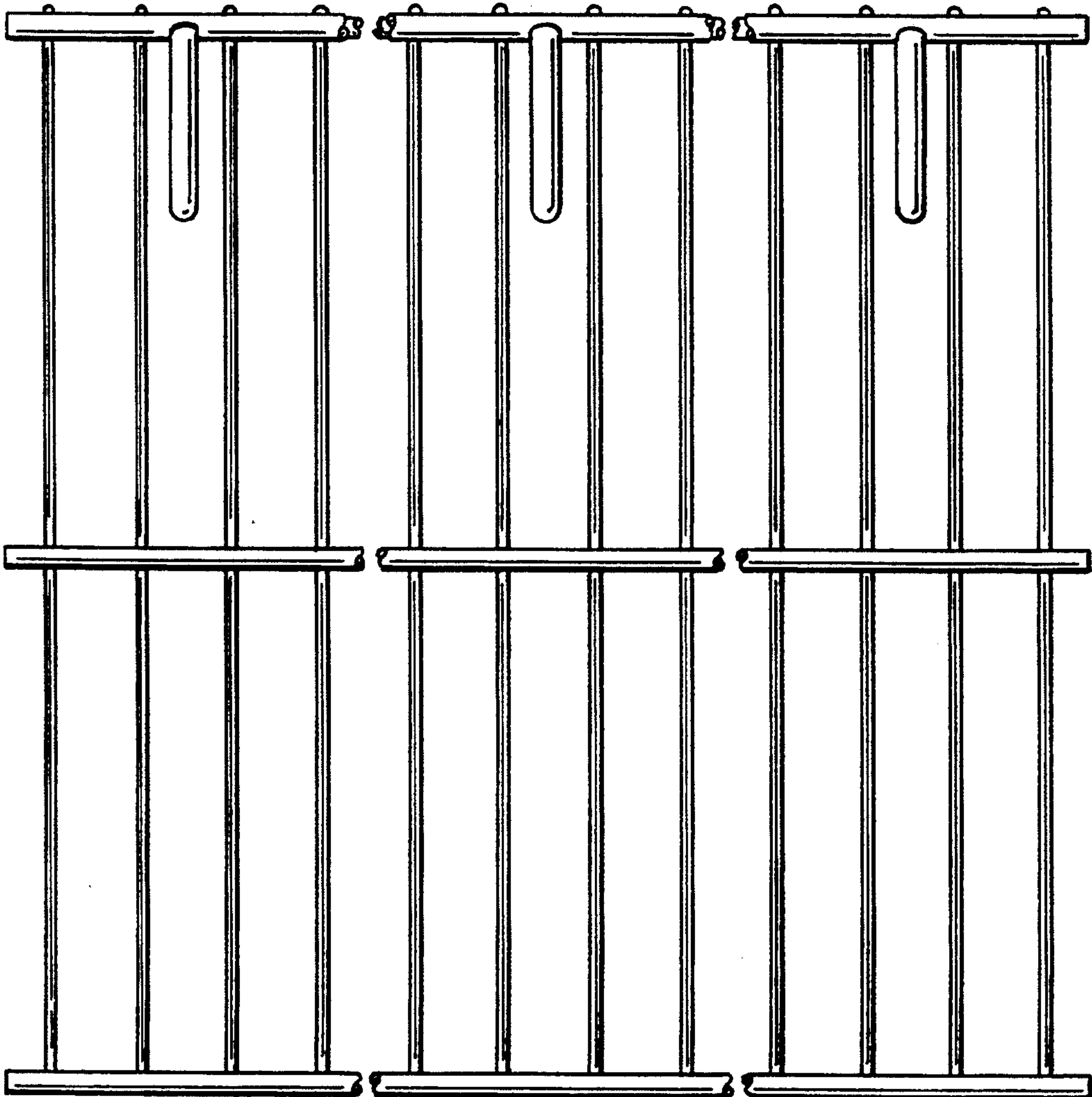


FIG. 7.