



US00D352191S

United States Patent [19]

[11] Patent Number: **Des. 352,191**

Zorian

[45] Date of Patent: **** Nov. 8, 1994**

[54] FLAG CASE

2,841,272	7/1958	Dreier	206/216 X
4,796,553	1/1989	Cogswell et al.	116/174 X
4,814,212	8/1989	Spector	428/46 X
4,879,145	11/1989	McLellan et al.	206/45.31 X

[76] Inventor: **Gale M. Zorian, 725 Laurel Ridge Rd., Reinholds, Pa. 17569**

[**] Term: **14 Years**

Primary Examiner—Prabhakar G. Deshmukh
Attorney, Agent, or Firm—Antonelli, Terry, Stout & Kraus

[21] Appl. No.: **4,214**

[22] Filed: **Jan. 28, 1993**

[57] **CLAIM**

[52] U.S. Cl. **D6/470; D9/430**

The ornamental design for a flag case, as shown and described.

[58] Field of Search **D9/430, 431, 414, 337; 206/216; 229/112, 113, 114, 115, 116; 428/13, 14, 45, 46; 116/173, 174, 175; 40/218, 604; D6/470, 449**

DESCRIPTION

[56] **References Cited**

U.S. PATENT DOCUMENTS

D. 309,263	7/1990	Markovitz	D9/432
D. 318,198	7/1991	Francetic	D6/420
1,433,062	10/1922	Bellamy	229/112
2,531,737	11/1950	Lyon Jr.	206/267 X
2,535,149	12/1950	McBride	206/216

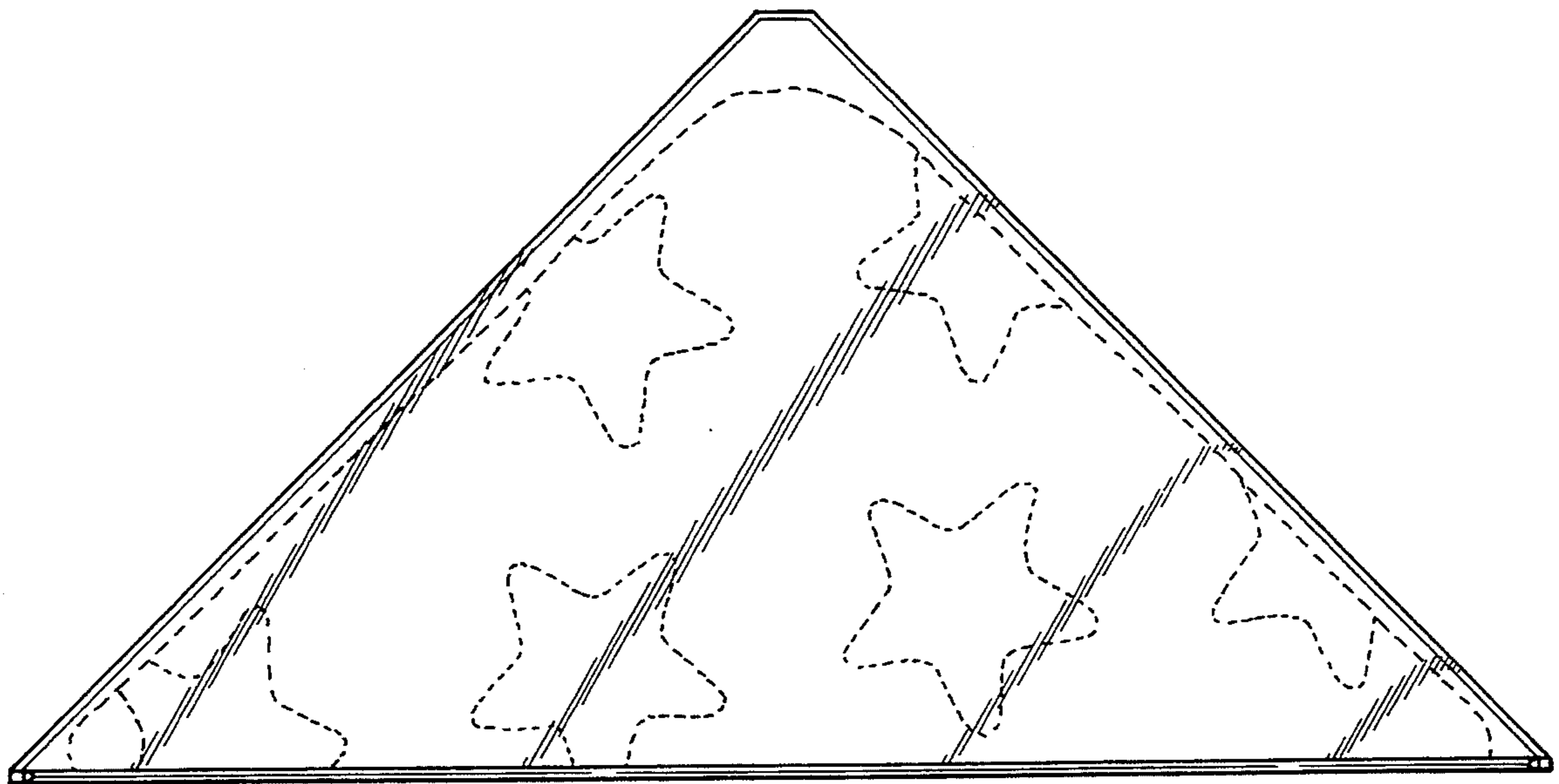
FIG. 1 is a front elevational view of a flag case showing my new design; the rear elevational view being a mirror image thereof;

FIG. 2 is a right side elevational view thereof. the left side elevational view being a mirror image thereof;

FIG. 3 is a top plan view thereof; and,

FIG. 4 is an exploded perspective view thereof.

The broken line showing of flag is for illustrative purpose only and forms no part of the claim.



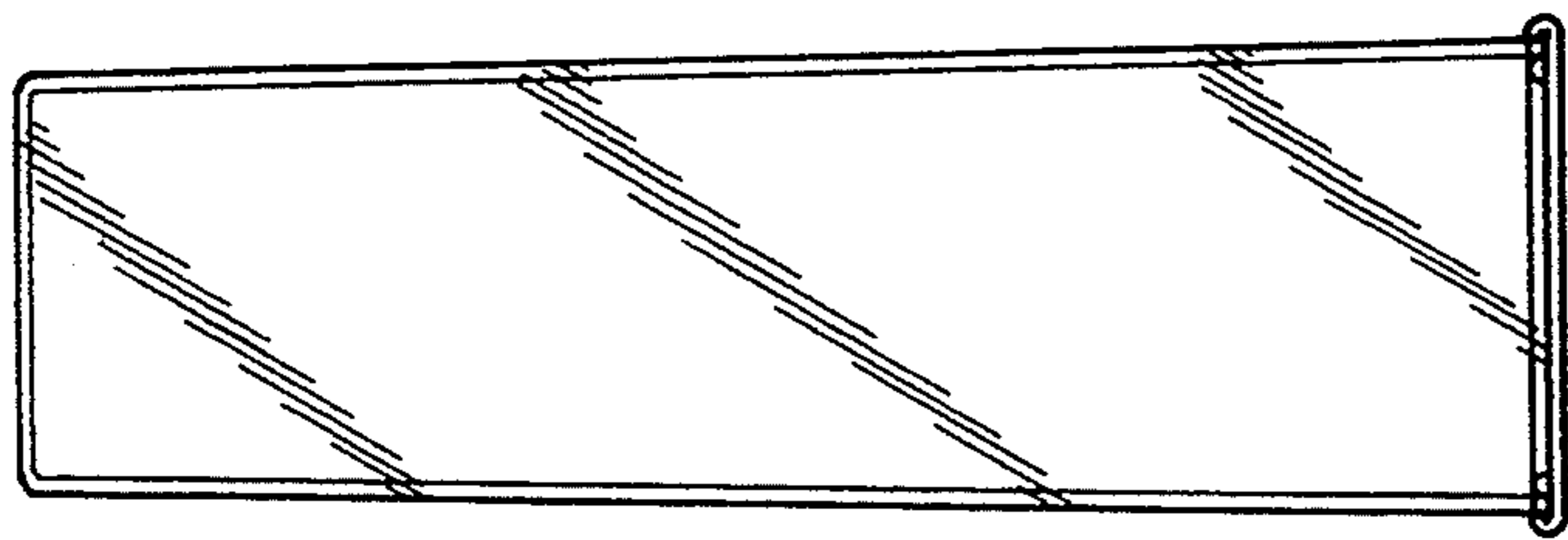


FIG. 2

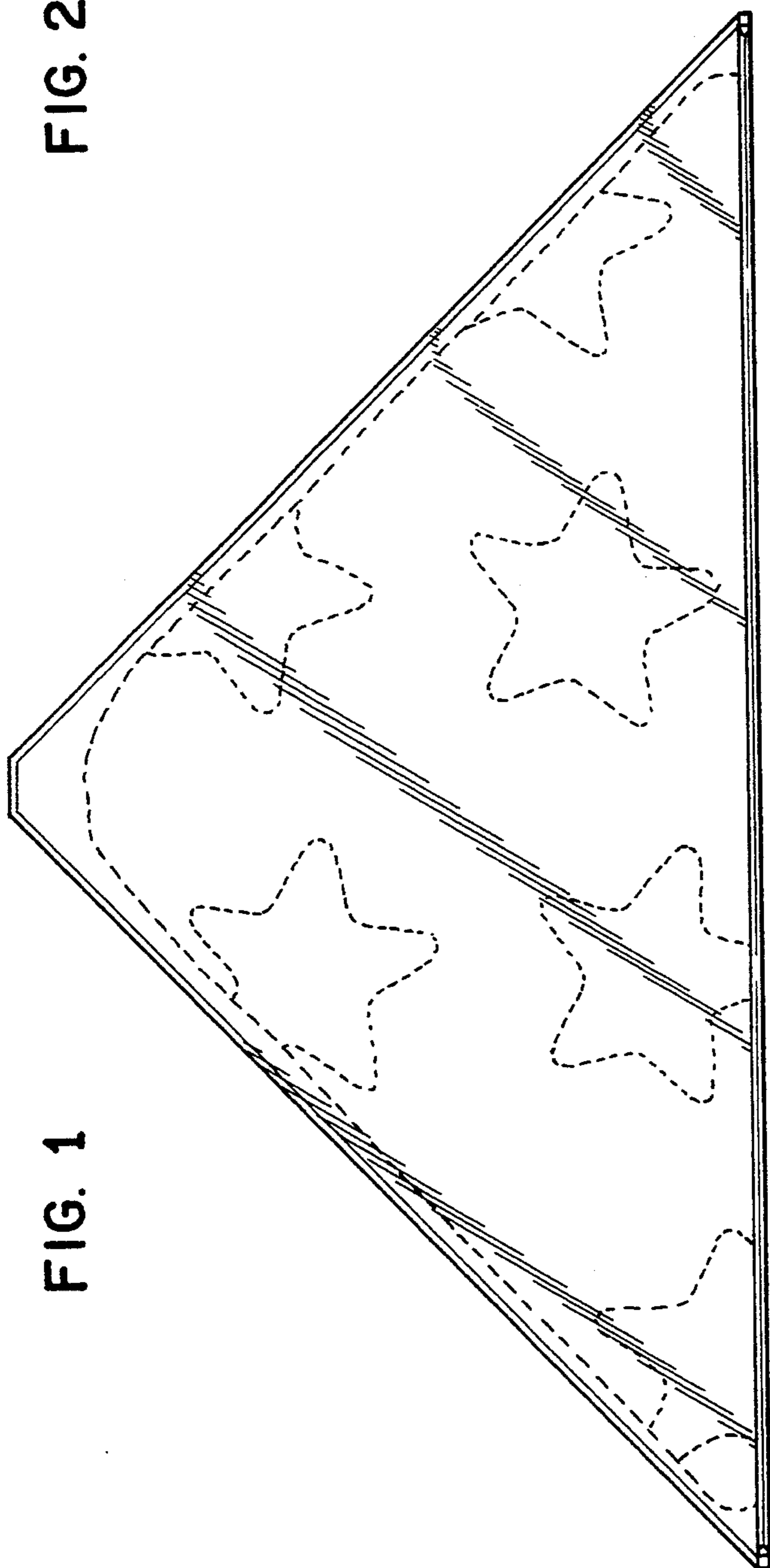


FIG. 1

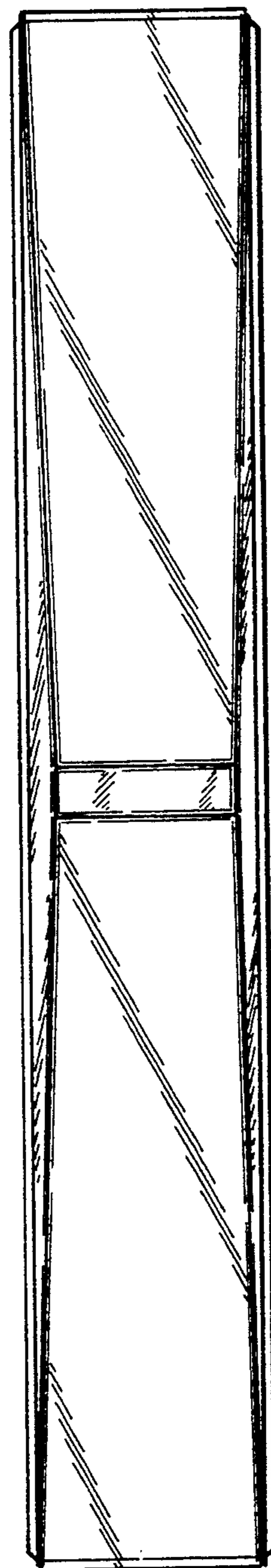


FIG. 3

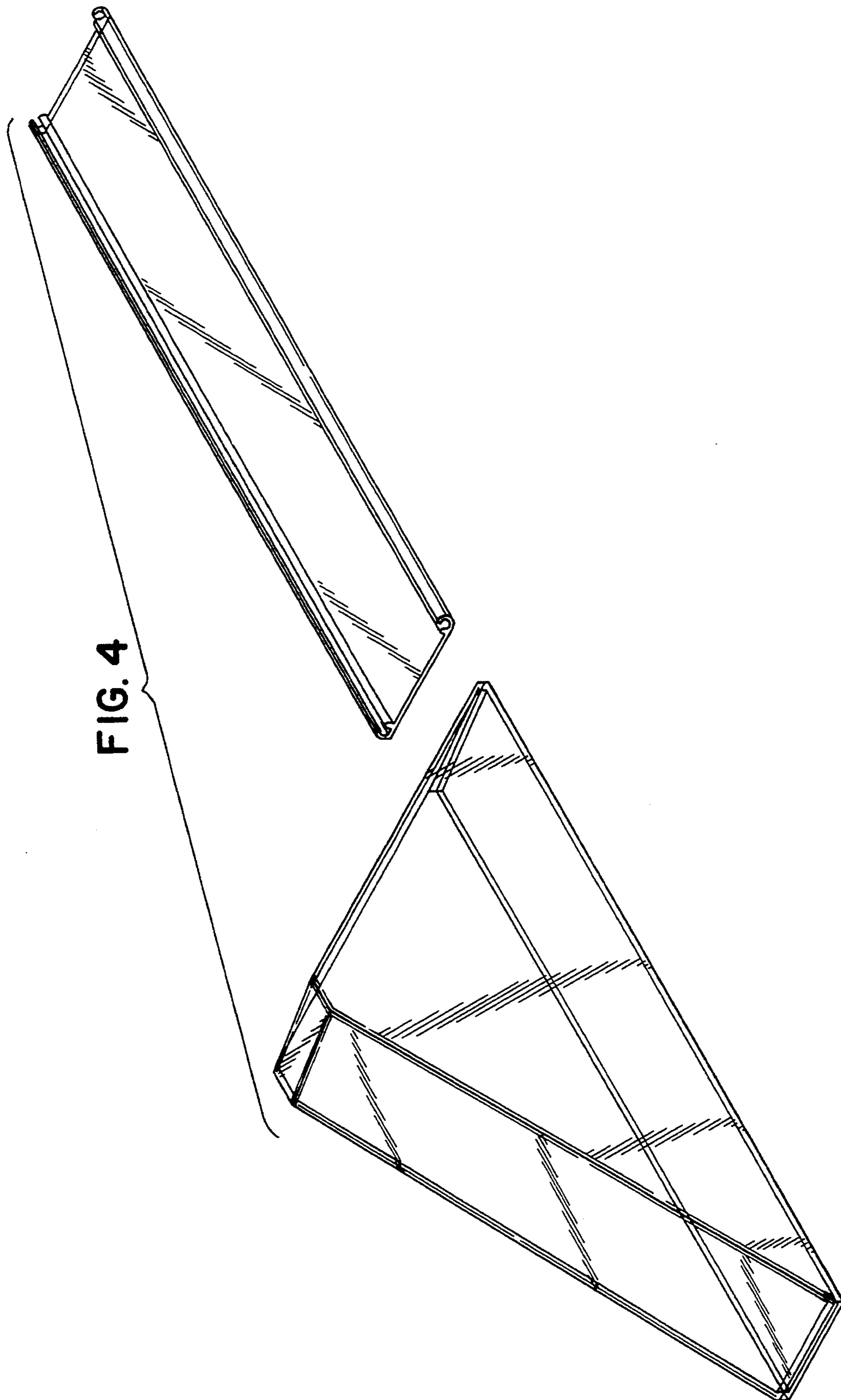


FIG. 4