



US00D352188S

# United States Patent [19] Johansen

[11] Patent Number: **Des. 352,188**

[45] Date of Patent: **\*\* Nov. 8, 1994**

[54] **CD MODULAR FRAME**

[76] Inventor: **Erling W. Johansen**, 628 River Rd.,  
Belle Mead, N.J. 08502

[\*\*] Term: **14 Years**

[21] Appl. No.: **801,096**

[22] Filed: **Dec. 2, 1991**

[52] U.S. Cl. .... **D6/407**

[58] Field of Search ..... **D6/407, 300, 553, 466;**  
**211/40-42; D3/35; 206/387**

4,951,826 8/1990 Thompkins ..... 211/40  
5,160,050 11/1992 Russo ..... 211/40  
5,232,089 8/1993 Kim ..... 211/40 X

*Primary Examiner*—Nelson C. Holtje  
*Assistant Examiner*—Jeffrey Asch  
*Attorney, Agent, or Firm*—Aquilino & Welsh

[57] **CLAIM**

The ornamental design for a CD modular frame, as shown and described.

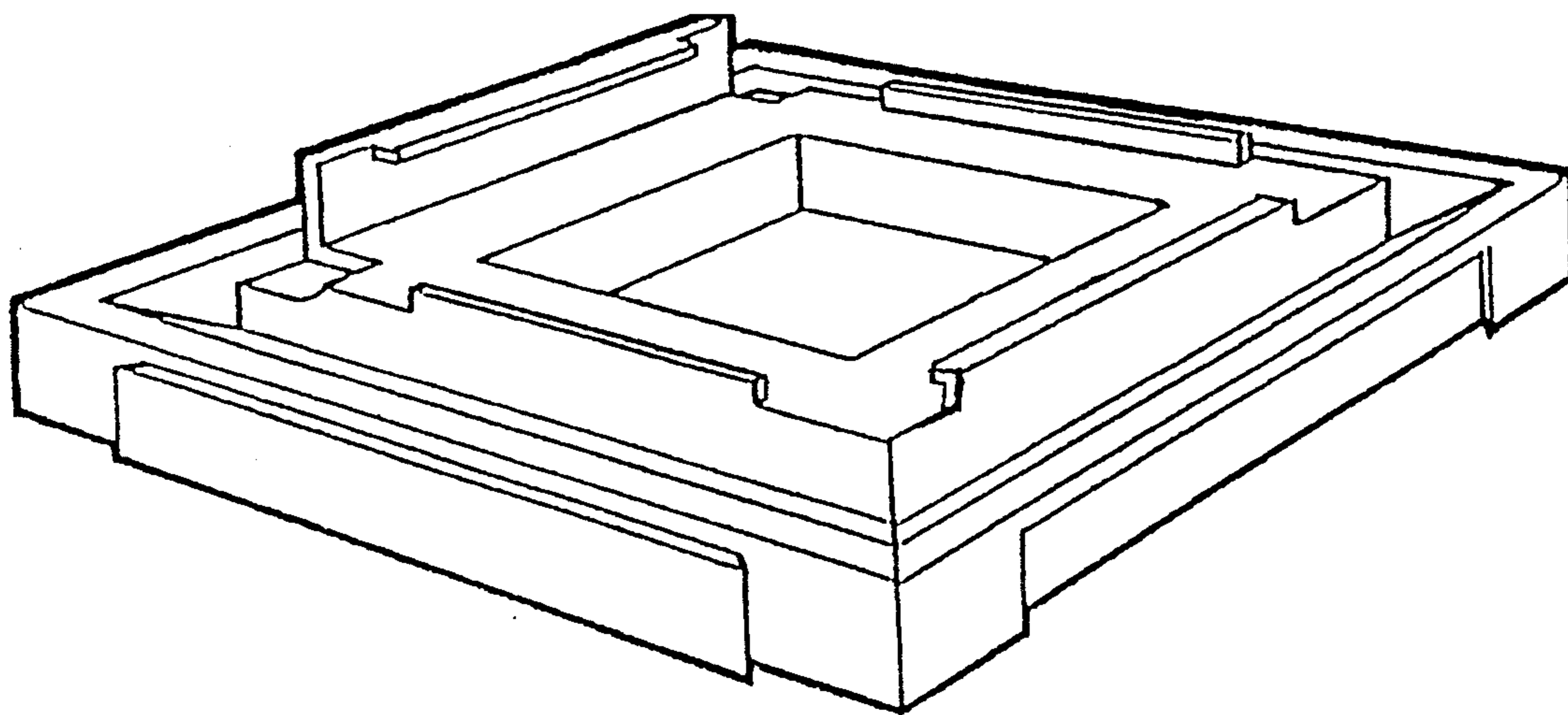
**DESCRIPTION**

FIG. 1 is a perspective view of a CD modular frame showing my new design;  
FIG. 2 is a front view thereof;  
FIG. 3 is a rear view thereof;  
FIG. 4 is a top view thereof, the bottom view being a mirror image;  
FIG. 5 is a side elevational view thereof; and,  
FIG. 6 is a side elevational view taken from the opposite side of FIG. 5.

[56] **References Cited**

**U.S. PATENT DOCUMENTS**

- D. 233,916 12/1974 Van Wyngarden et al. .... D3/35
- D. 239,231 3/1976 Cockcroft ..... D6/407
- D. 247,135 1/1978 Woodhall ..... D3/35
- D. 277,999 3/1985 Weiner ..... D3/35
- D. 338,569 8/1993 Lancaster ..... D6/407
- 4,919,287 4/1990 Haskett et al. .... 211/41
- 4,940,147 7/1990 Hunt ..... 211/40



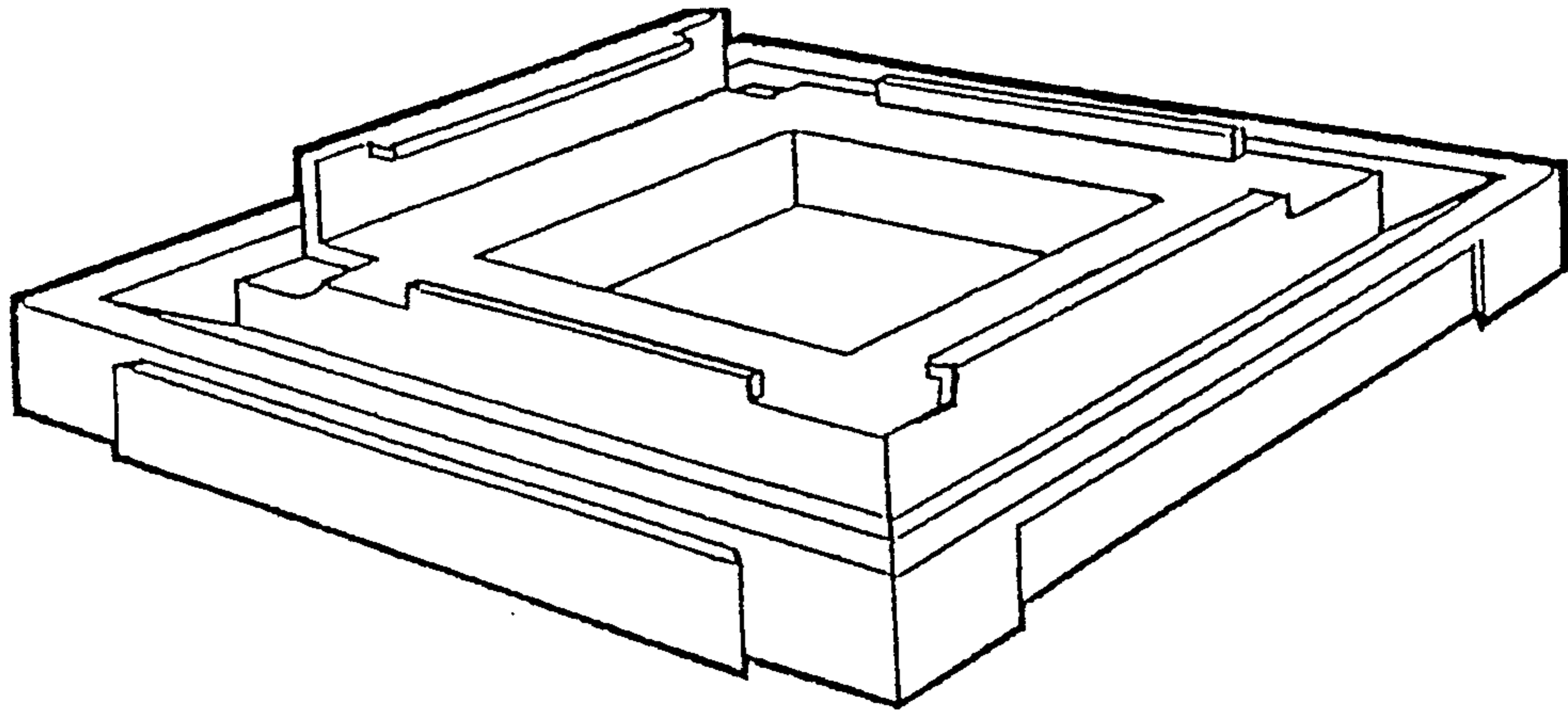


FIG. 1

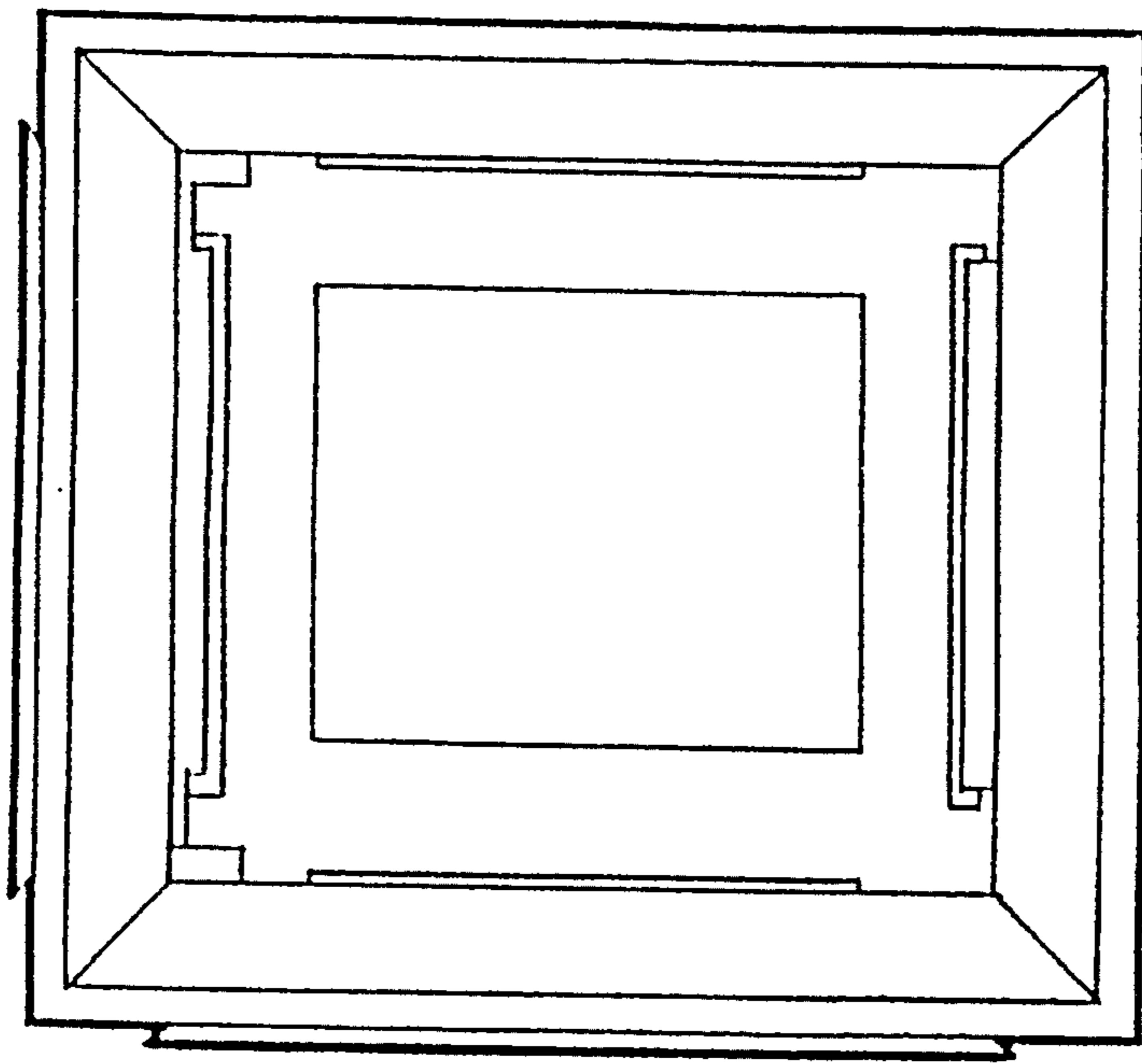


FIG. 2

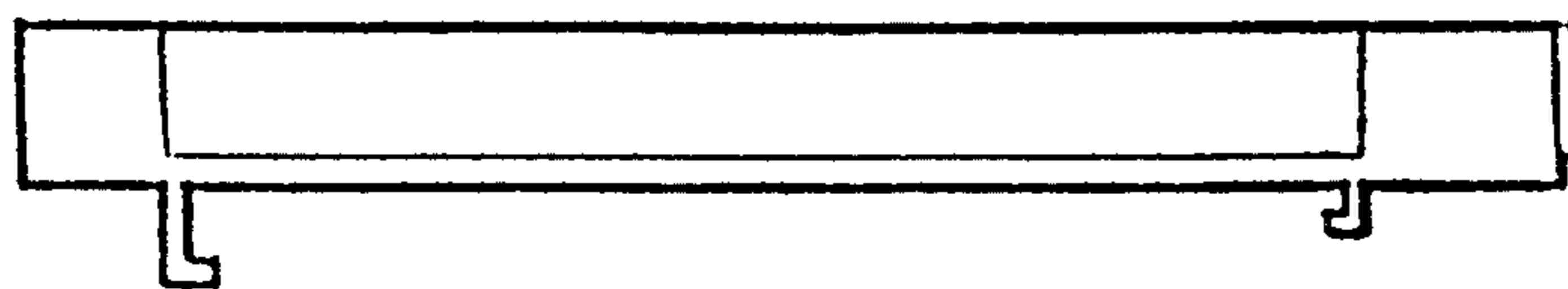


FIG. 4

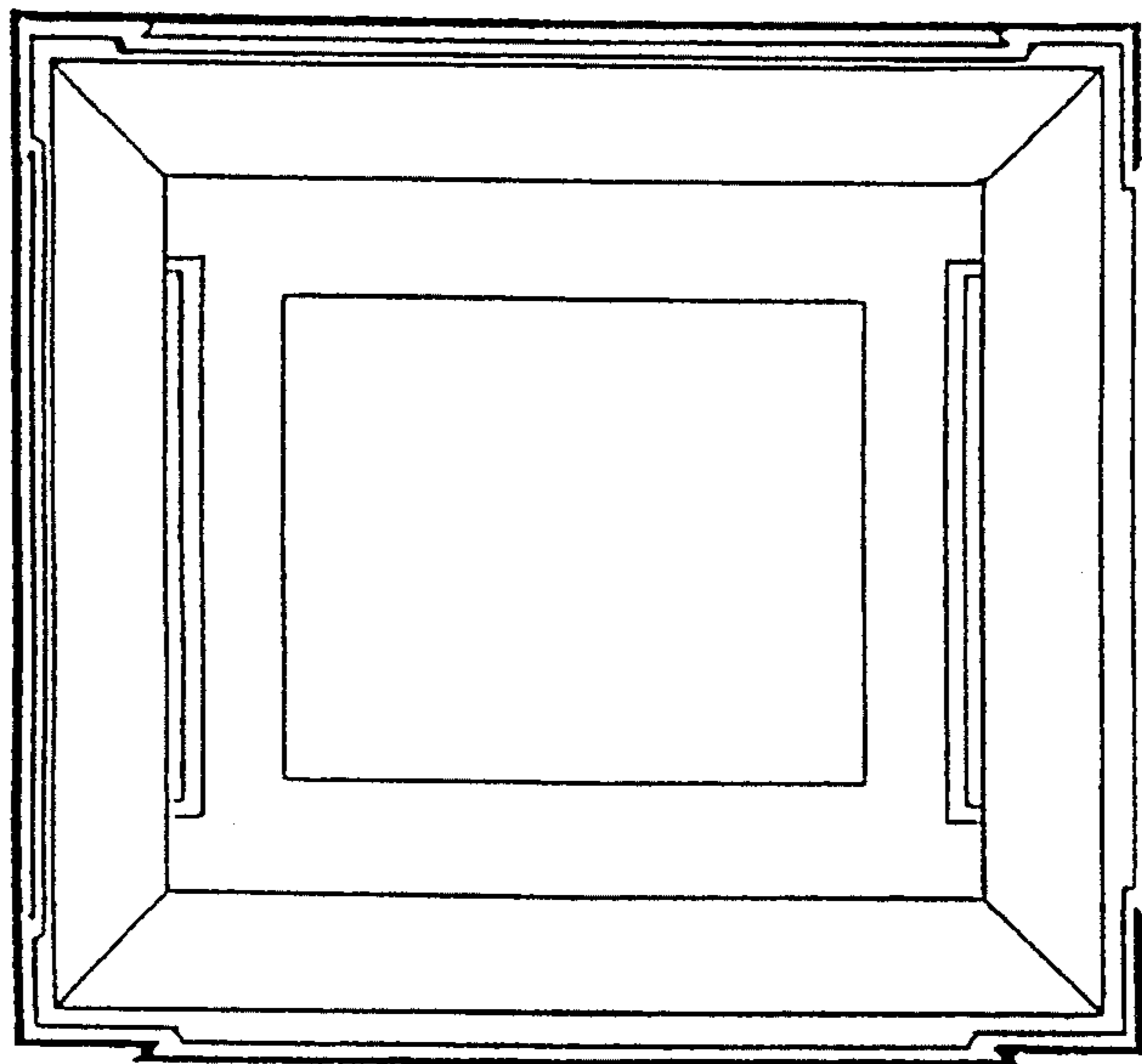


FIG. 3

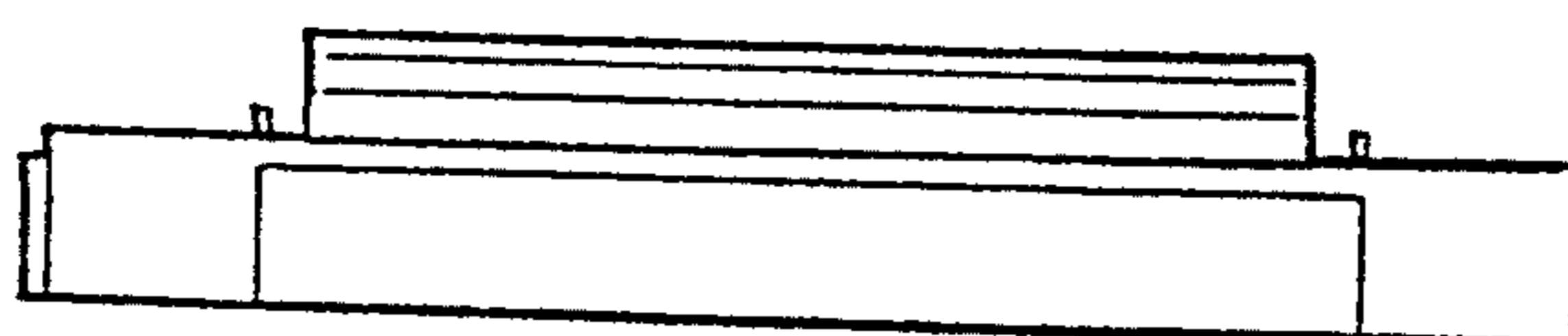


FIG. 5

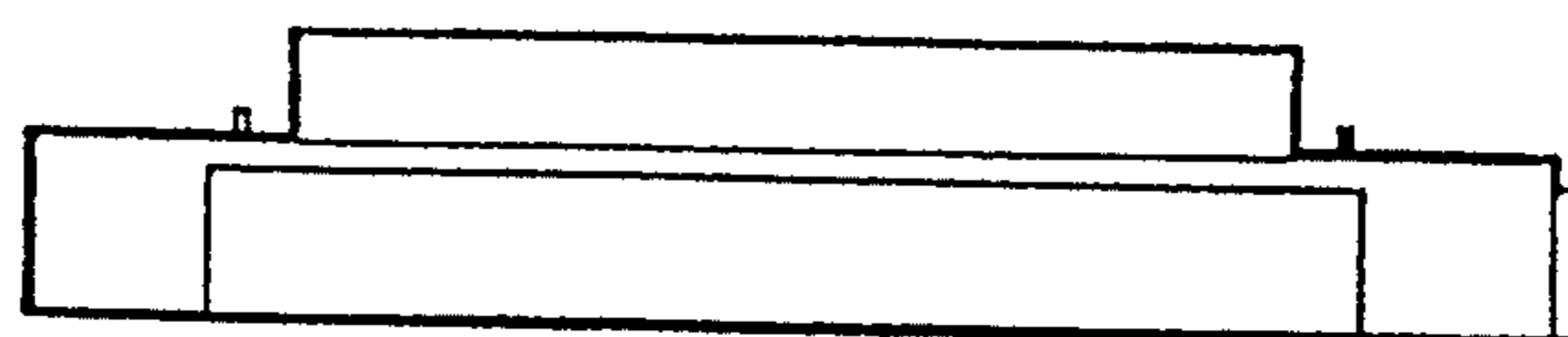


FIG. 6