



US00D352187S

United States Patent [19]

David

[11] Patent Number: **Des. 352,187**

[45] Date of Patent: **** Nov. 8, 1994**

[54] **STORAGE RACK FOR COMPACT DISCS AND VIDEO CASSETTES**

[75] Inventor: **Henry B. David**, Glendale, Calif.

[73] Assignee: **Melco Wire Products Company**, Glendale, Calif.

[**] Term: **14 Years**

[21] Appl. No.: **6,718**

[22] Filed: **Apr. 5, 1993**

Related U.S. Application Data

[63] Continuation-in-part of Ser. No. 948,795, Sep. 24, 1992, Pat. No. 343,533.

[52] U.S. Cl. **D6/407; D6/458**

[58] Field of Search **D6/407, 635, 629-631, D6/455, 415, 457-461, 462, 465, 466-468; 211/13, 181, 40-42, 78**

[56] References Cited

U.S. PATENT DOCUMENTS

D. 173,331 10/1954 Vaughan D6/465 X

D. 202,848	11/1965	Kurtz	D6/458
D. 242,591	12/1976	Hurd	D6/458
D. 288,038	2/1987	Henning	D6/458
D. 337,669	7/1993	Koeppel	D6/457 X
D. 343,533	1/1994	David	D6/407
1,430,748	10/1922	Nolte	211/78
2,926,788	3/1960	Jacobson	D6/465 X
4,299,327	11/1981	Thaver	211/181

Primary Examiner—Alan P. Douglas
Assistant Examiner—Jeffrey Asch
Attorney, Agent, or Firm—Michael A. Painter

[57] CLAIM

The ornamental design for a storage rack for compact discs and video cassettes, as shown and described.

DESCRIPTION

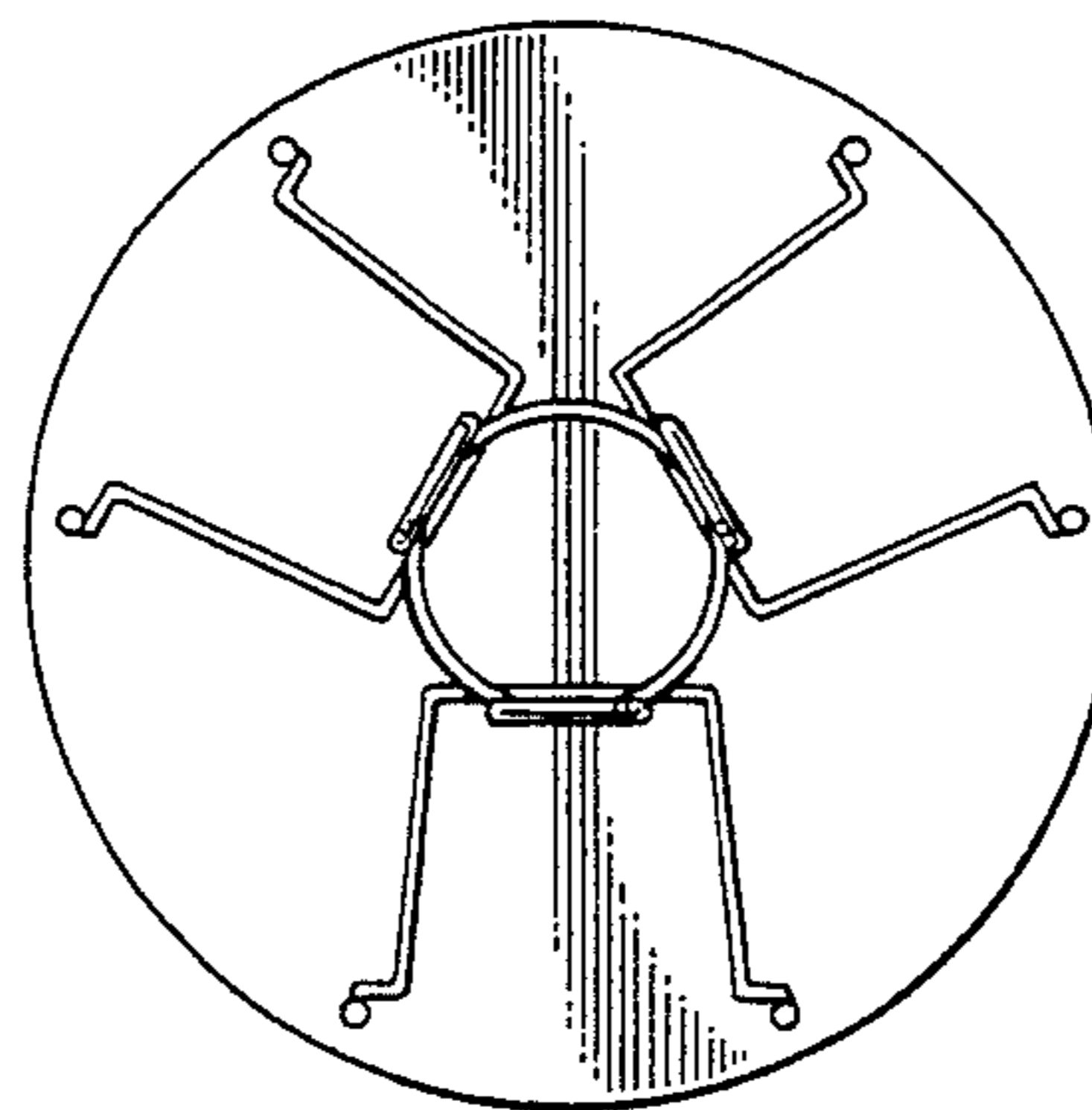
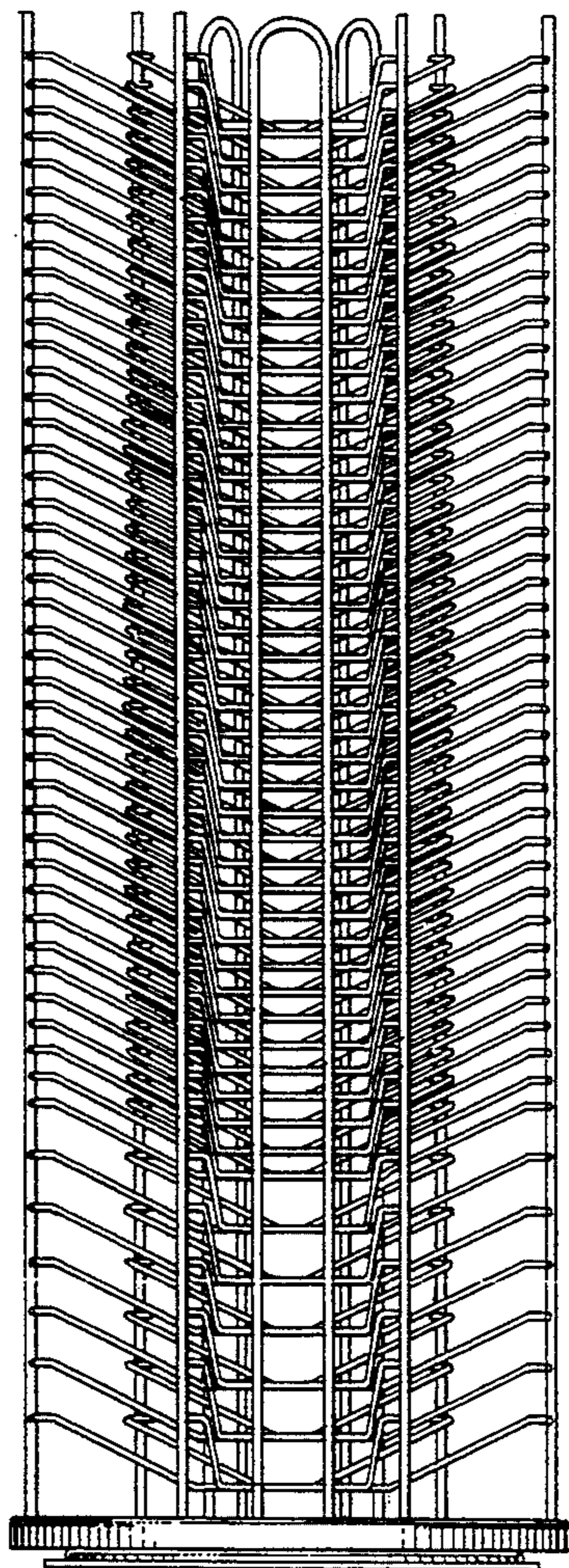
FIG. 1 is a front elevation view of a storage rack for compact discs and video cassettes illustrating my new design;

FIG. 2 is a right side view thereof, the left view being identical in appearance;

FIG. 3 is a rear elevation view thereof;

FIG. 4 is a top plan view thereof; and,

FIG. 5 is a bottom plan view thereof.



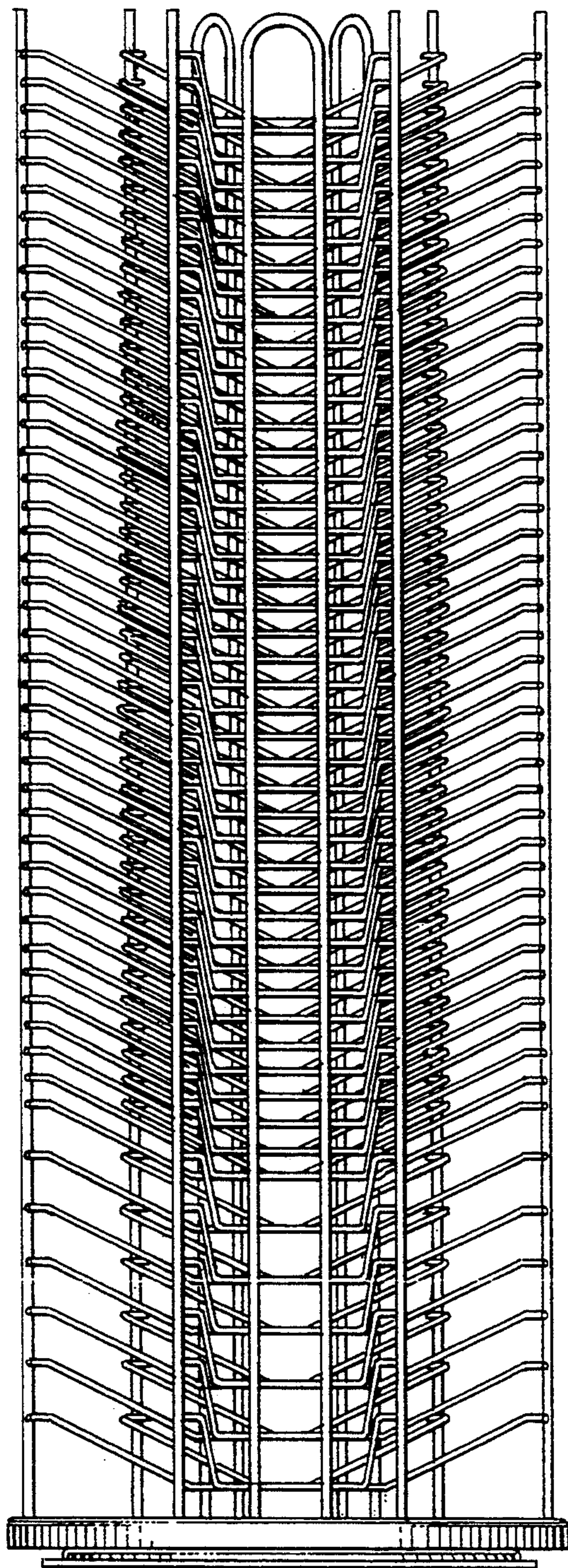


FIG. 1.

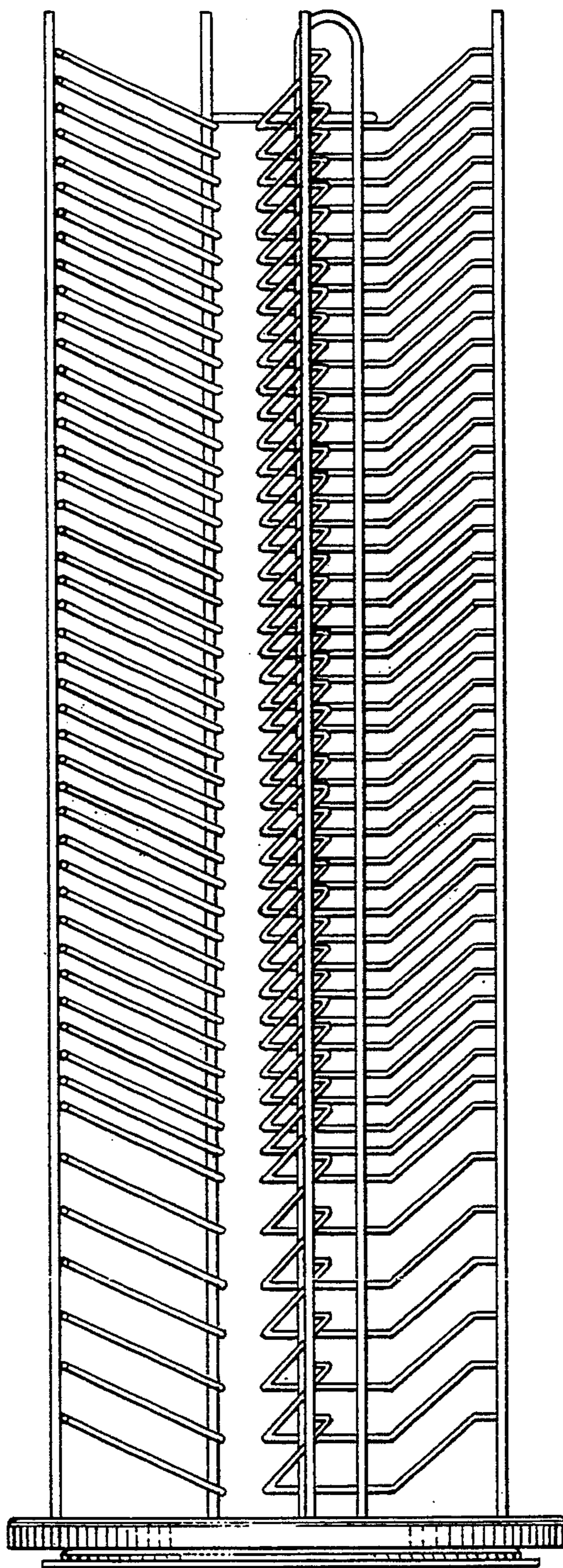


FIG. 2.

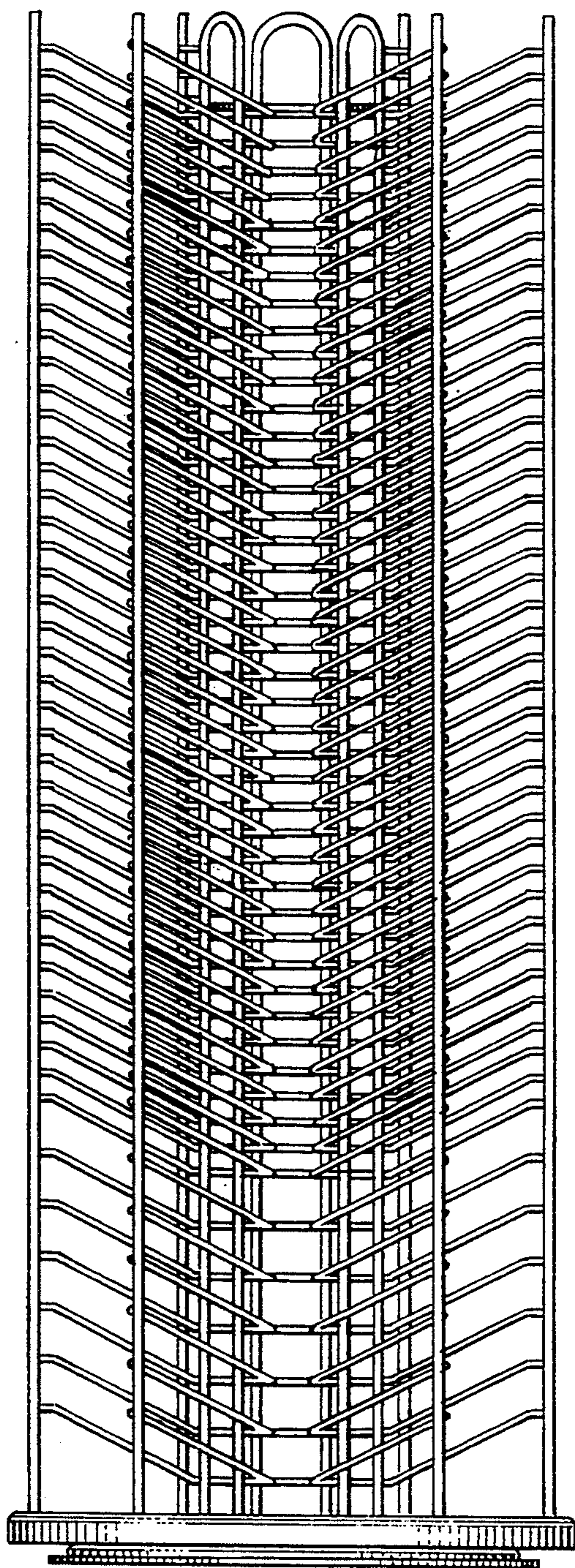


FIG. 3.

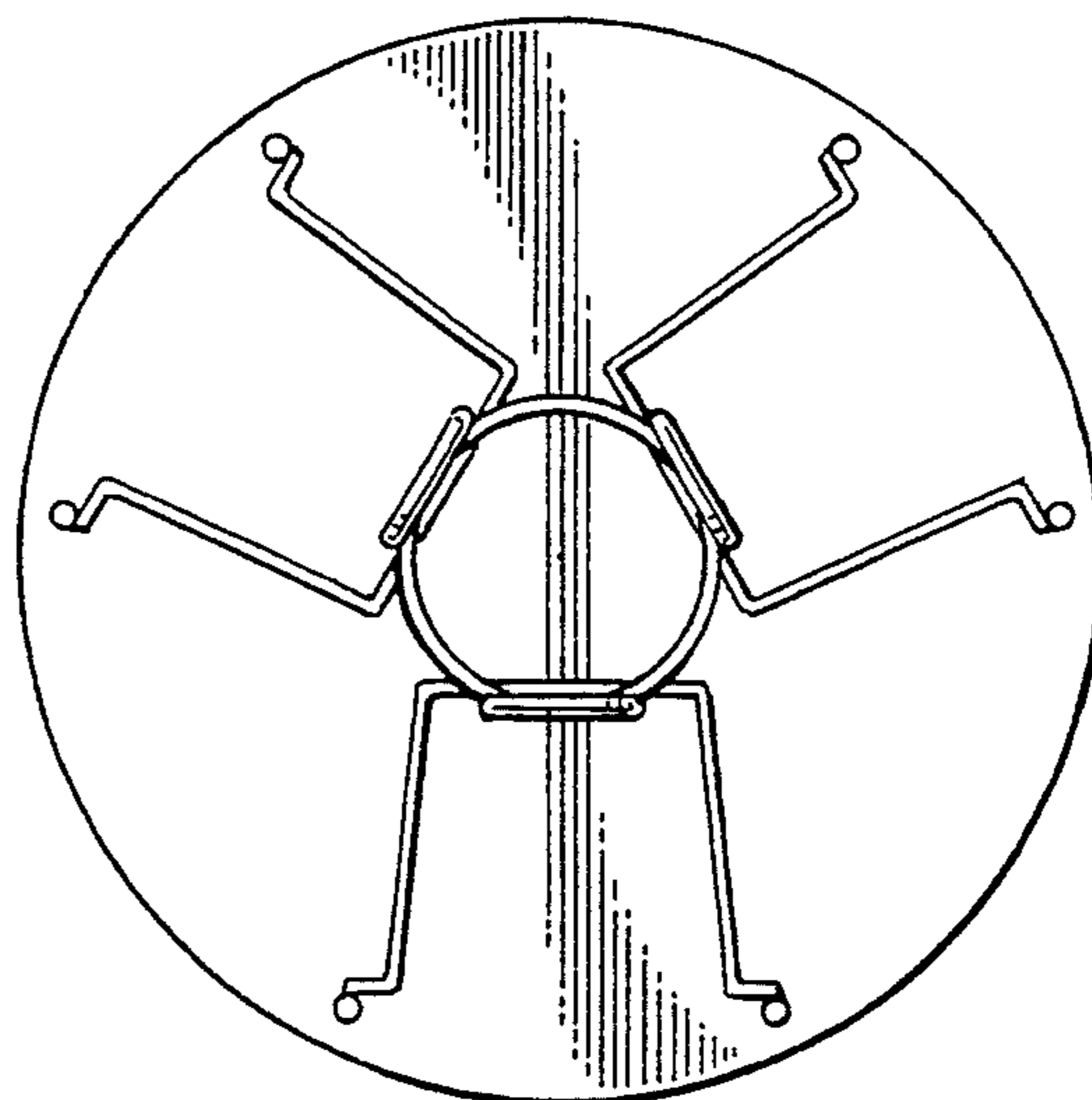


FIG. 4.

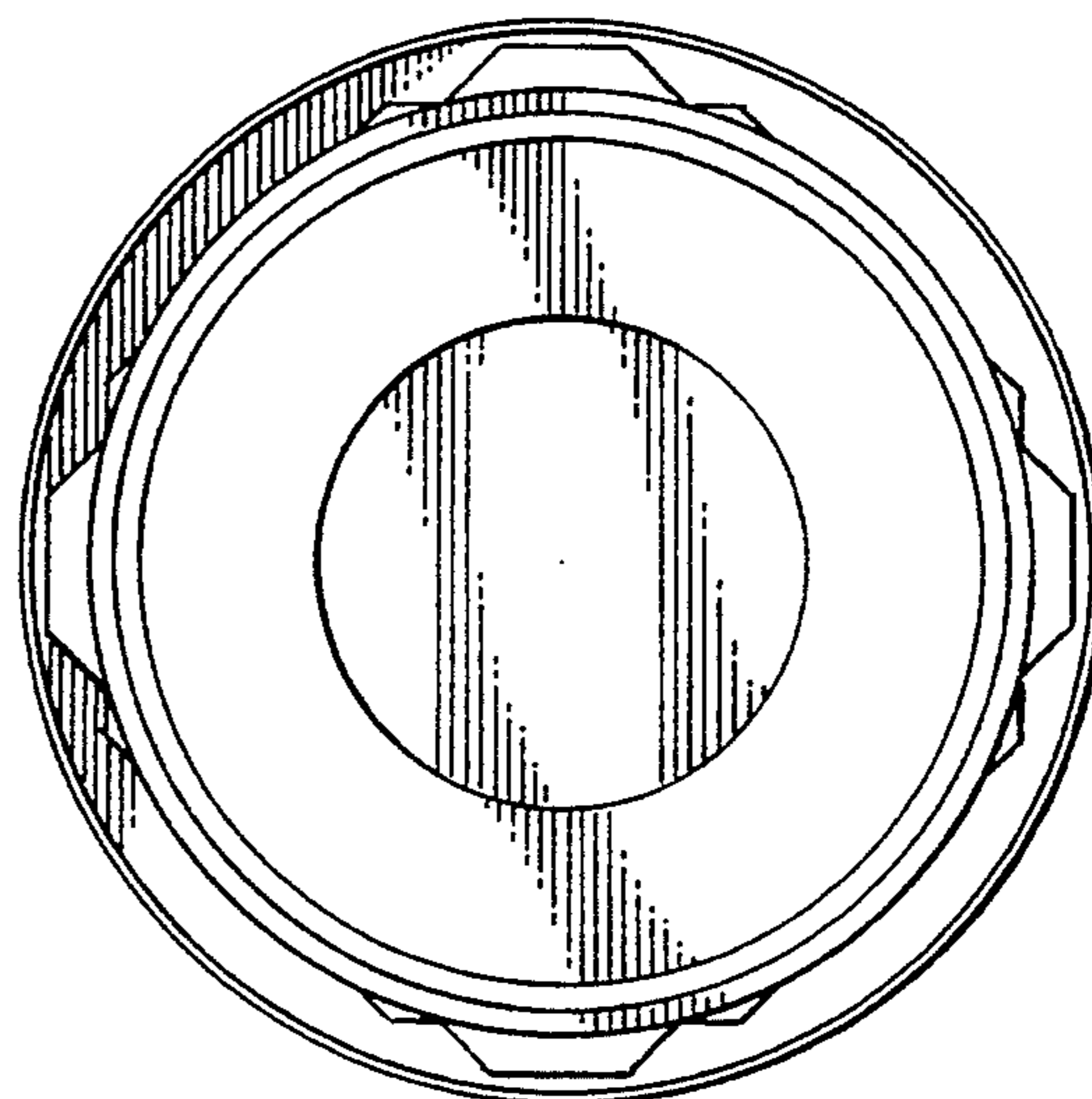


FIG. 5.