



US00D352181S

United States Patent [19]
Ivicevi

[11] **Patent Number: Des. 352,181**
[45] **Date of Patent: ** Nov. 8, 1994**

[54] **CHAIR**

[75] **Inventor: Dragomir N. Ivicevi**, New York, N.Y.

[73] **Assignee: Westinghouse Electric Corporation**, Pittsburgh, Pa.

[**] **Term: 14 Years**

[21] **Appl. No.: 9,347**

[22] **Filed: Jun. 9, 1993**

[52] **U.S. Cl. D6/366**

[58] **Field of Search D6/334, 365, 366, 374, D6/379, 380, 500, 501, 502; 297/411.40**

[56] **References Cited**

U.S. PATENT DOCUMENTS

D. 275,053	8/1984	Stephens	D6/366
D. 279,241	6/1985	Diffrient	D6/366
D. 279,443	7/1985	Diffrient	D6/501
D. 315,257	3/1991	Hensel et al.	D6/366
D. 326,961	6/1992	Hannah et al.	D6/366
D. 336,380	6/1993	Rosen et al.	D6/366
D. 340,589	10/1993	Chu	D6/366
4,529,247	7/1985	Stumpf et al.	D6/366 X

OTHER PUBLICATIONS

Herman Miller, 1985, inside back cover, Management chair, 2nd in from top right.

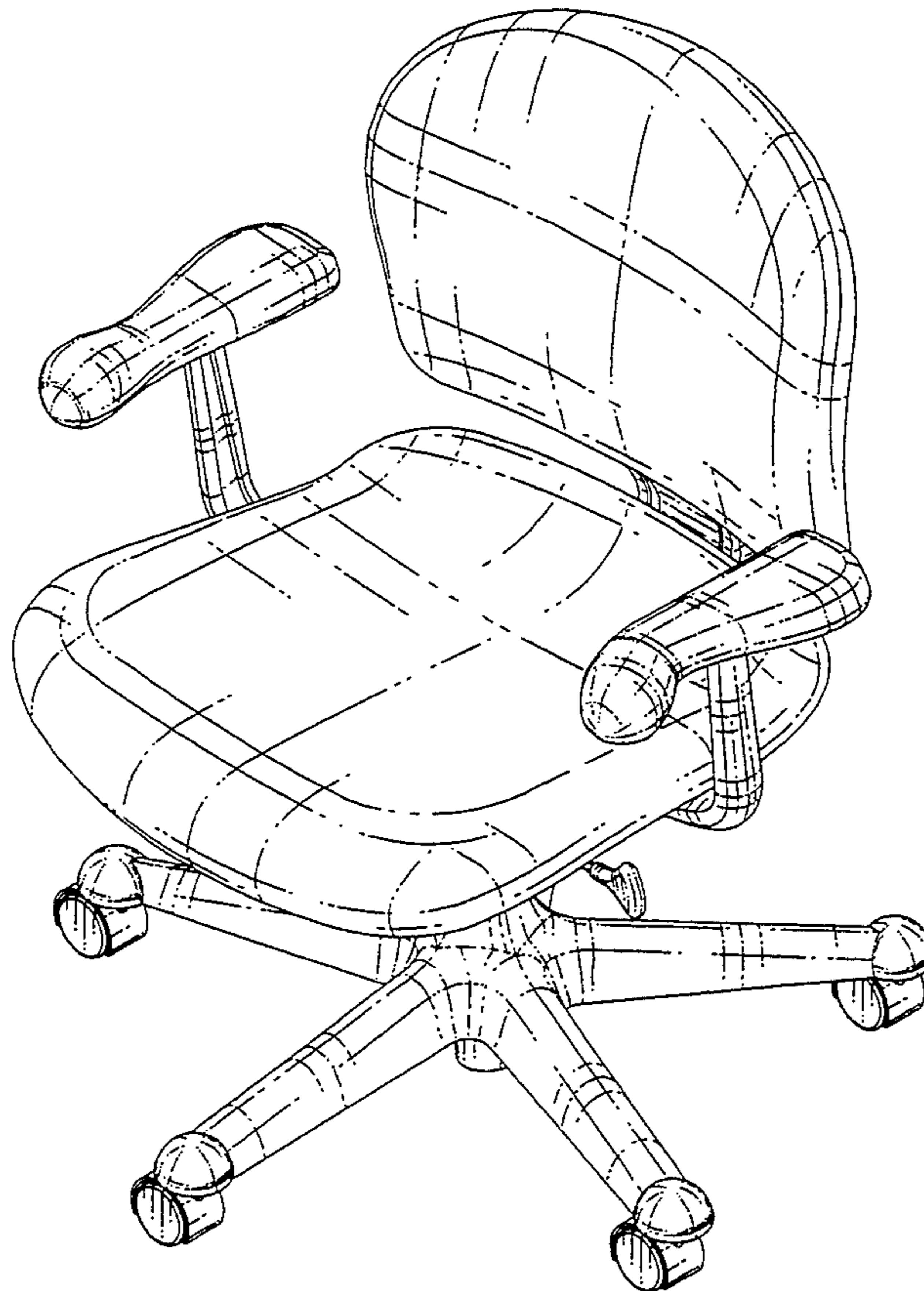
Primary Examiner—Alan P. Douglas
Assistant Examiner—Gary D. Watson
Attorney, Agent, or Firm—Carla J. Vrsansky

[57] **CLAIM**

The ornamental design for a chair, as shown and described.

DESCRIPTION

FIG. 1 is a perspective view of a chair having arms showing my new design;
FIG. 2 is a front elevational view thereof;
FIG. 3 is a rear elevational view thereof;
FIG. 4 is a left side elevational view thereof;
FIG. 5 is a right side elevational view thereof;
FIG. 6 is a top plan view thereof;
FIG. 7 is a bottom plan view thereof;
FIG. 8 is a perspective view of a chair without arms showing my new design;
FIG. 9 is a front elevational view thereof;
FIG. 10 is a rear elevational view thereof;
FIG. 11 is a left side elevational view thereof;
FIG. 12 is a right side elevational view thereof;
FIG. 13 is a top plan view thereof; and,
FIG. 14 is a bottom plan view thereof.



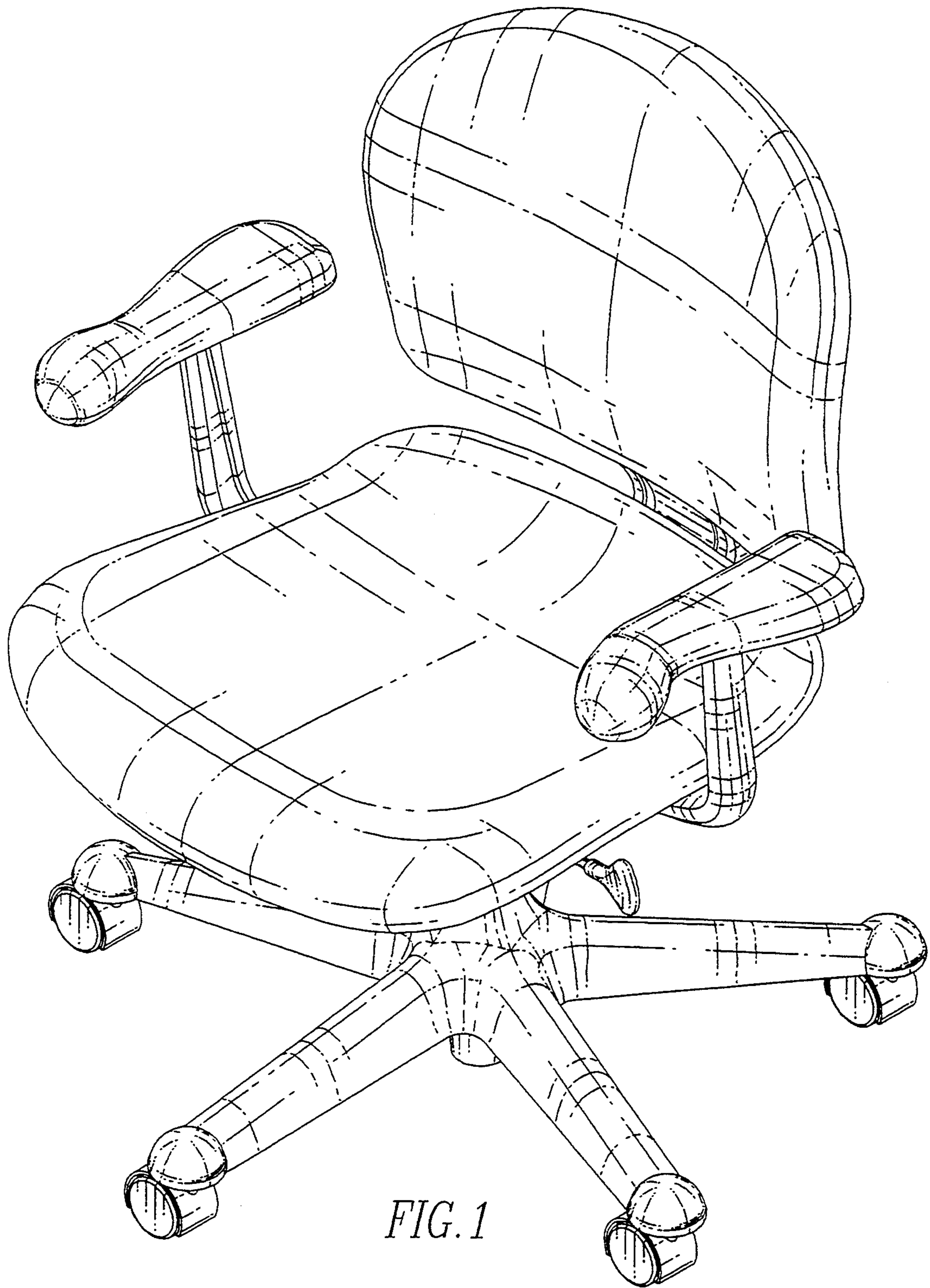


FIG. 1

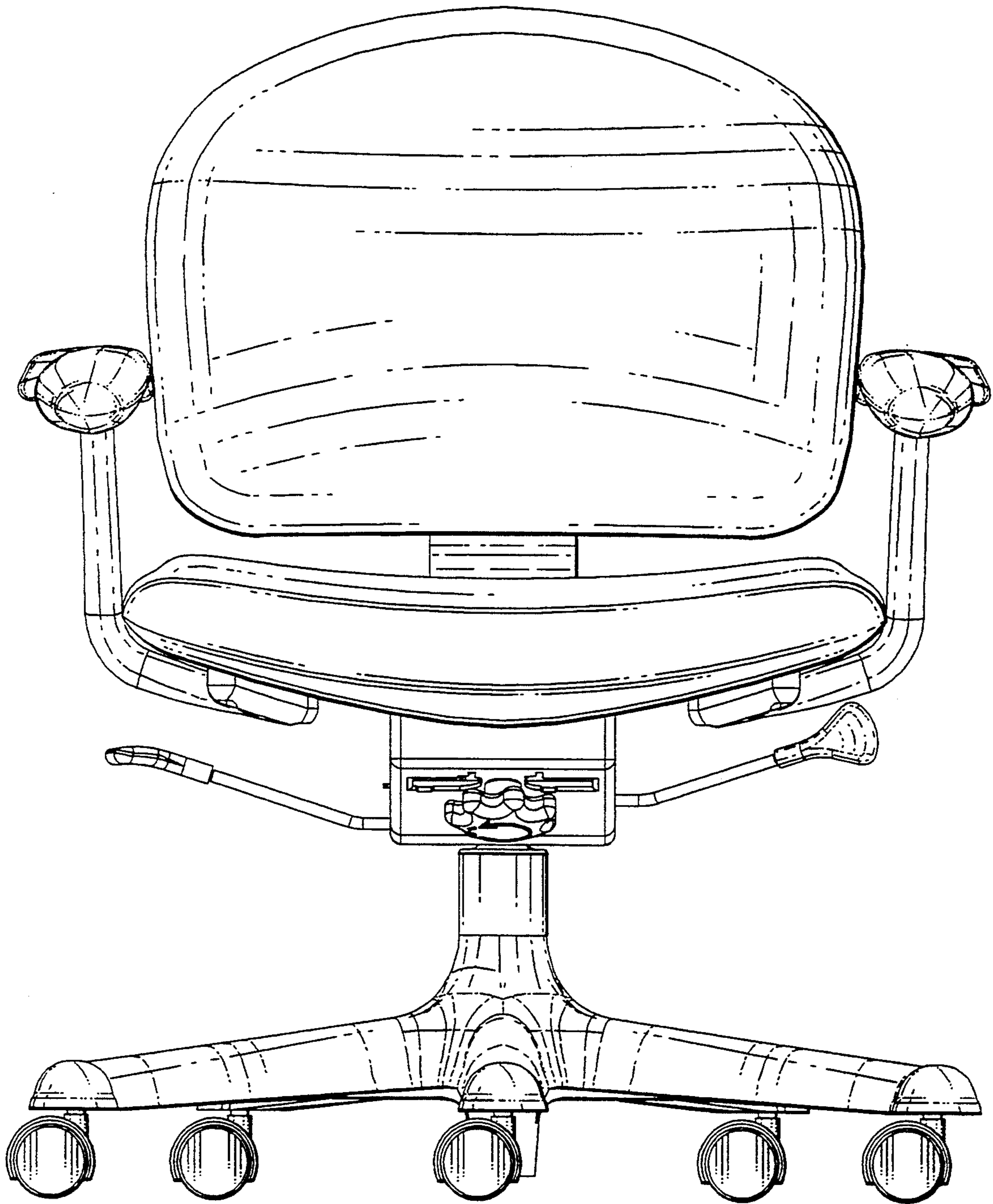


FIG. 2

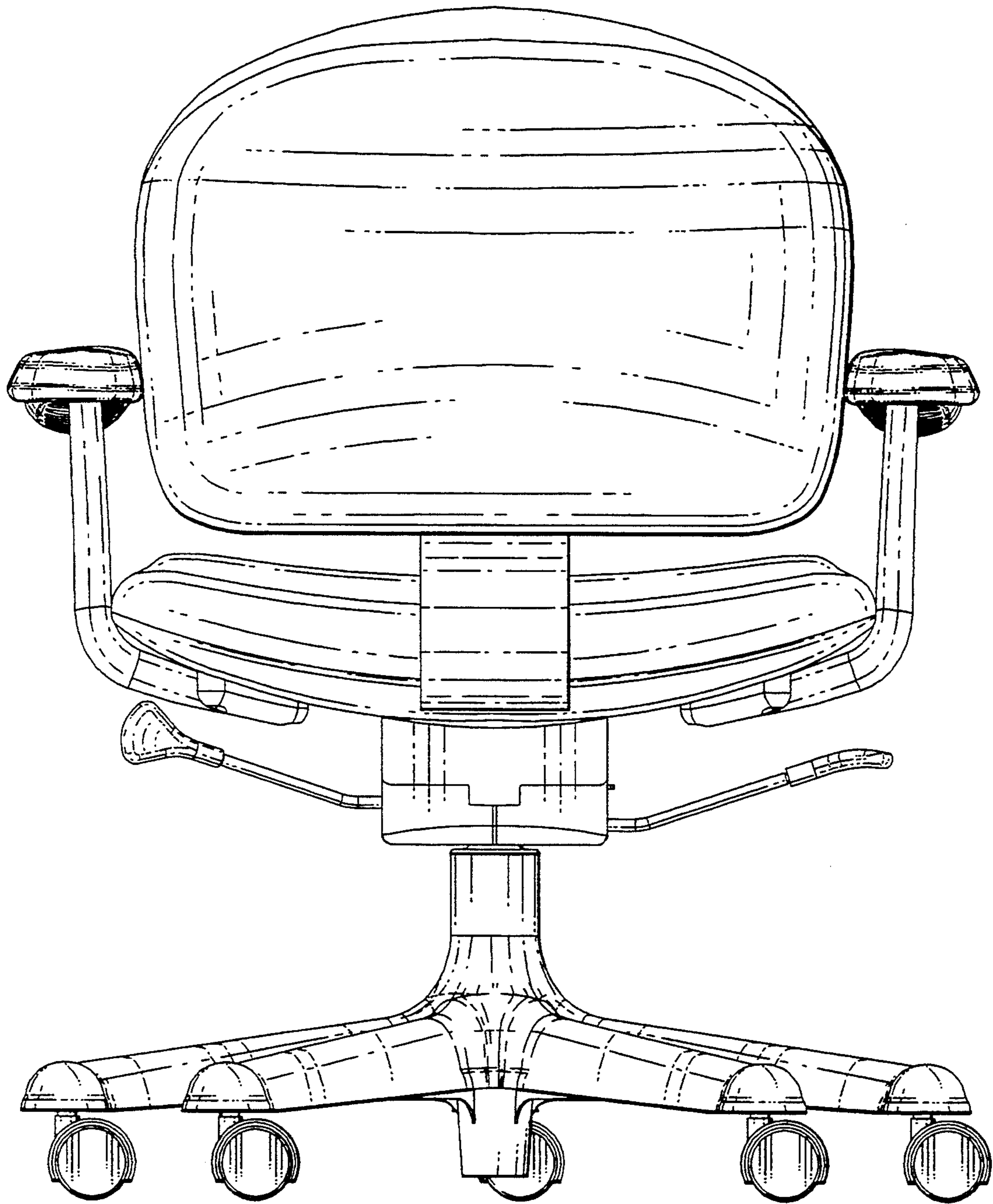


FIG. 3



FIG. 4

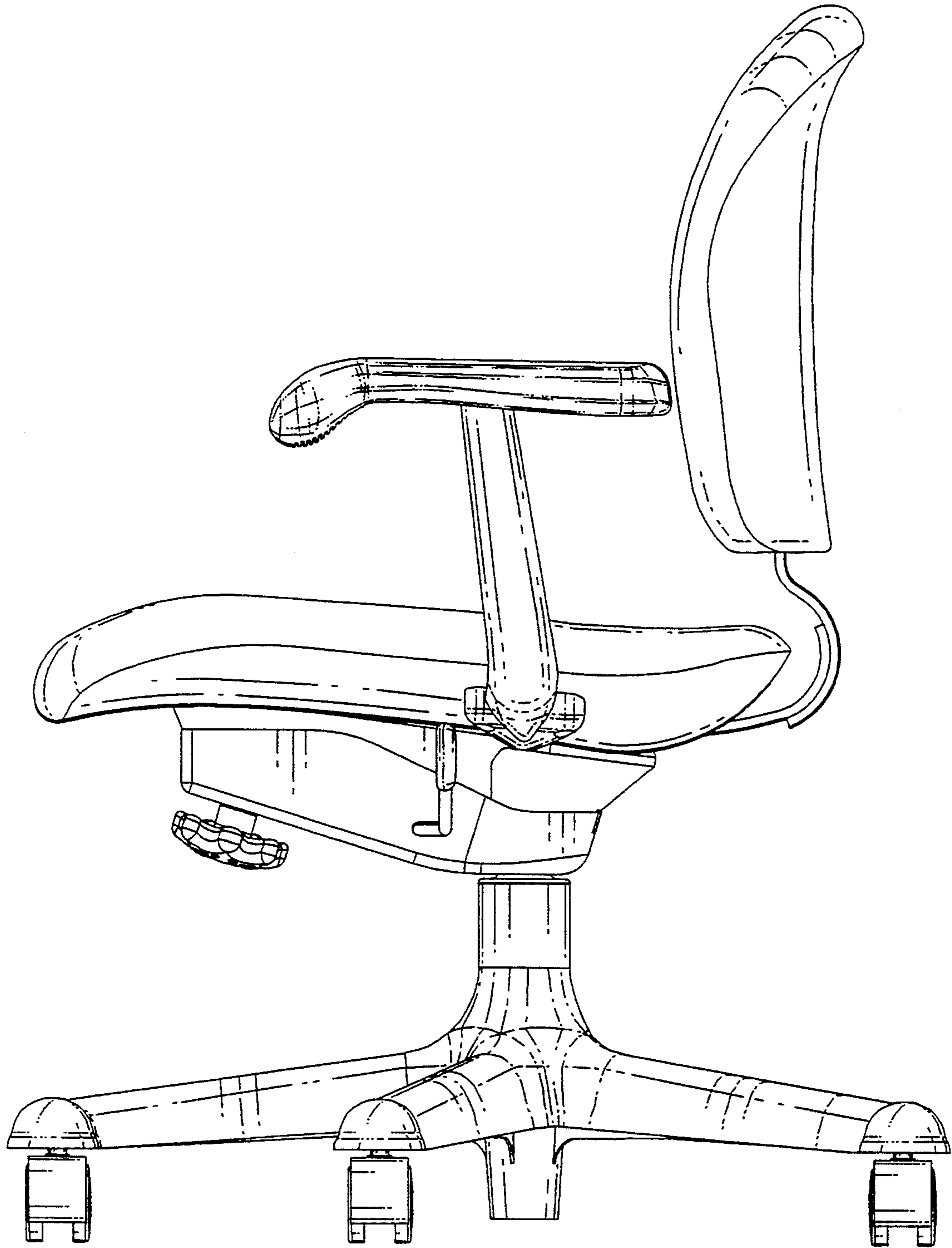


FIG. 5

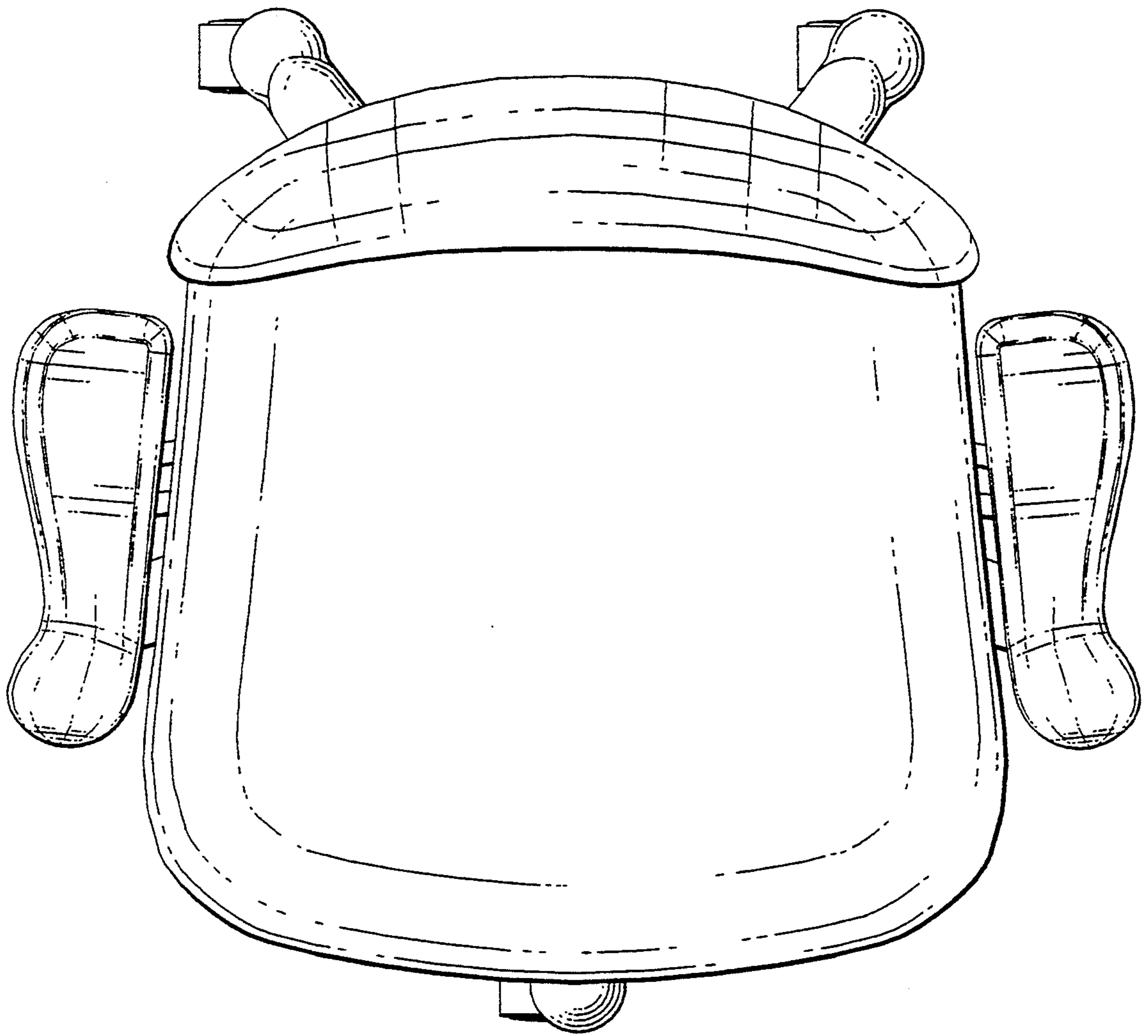


FIG. 6

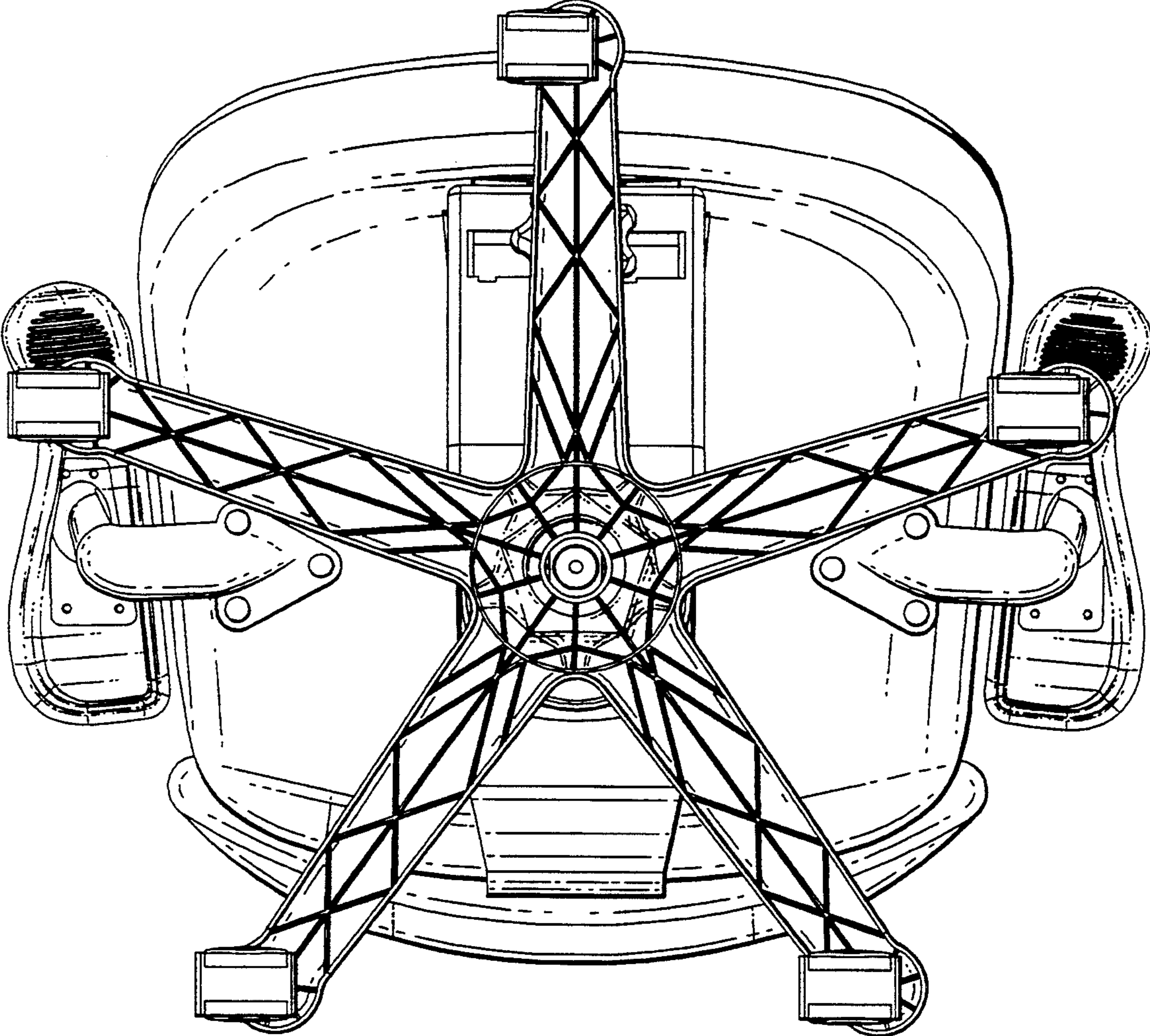


FIG. 7

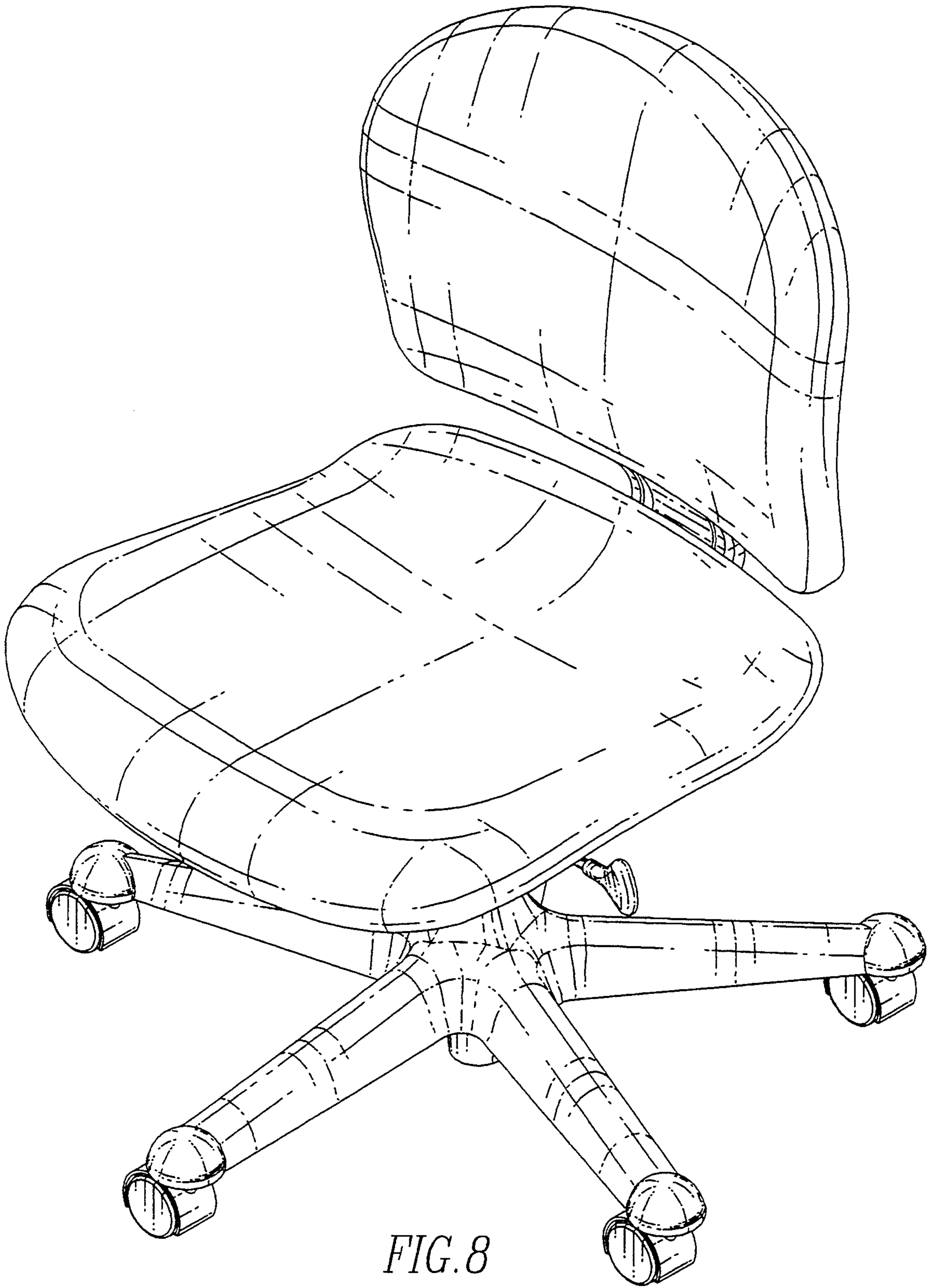


FIG. 8

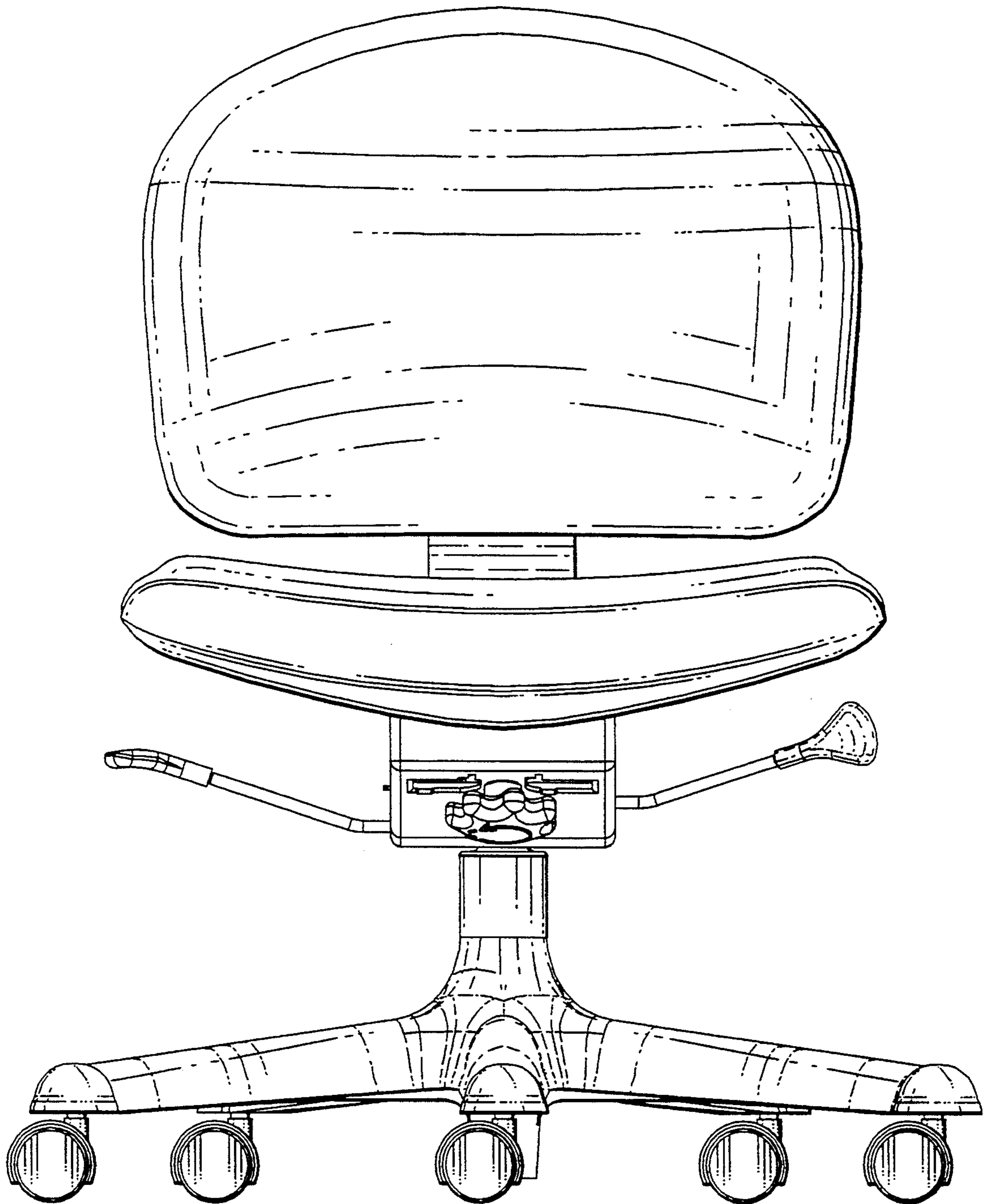


FIG. 9

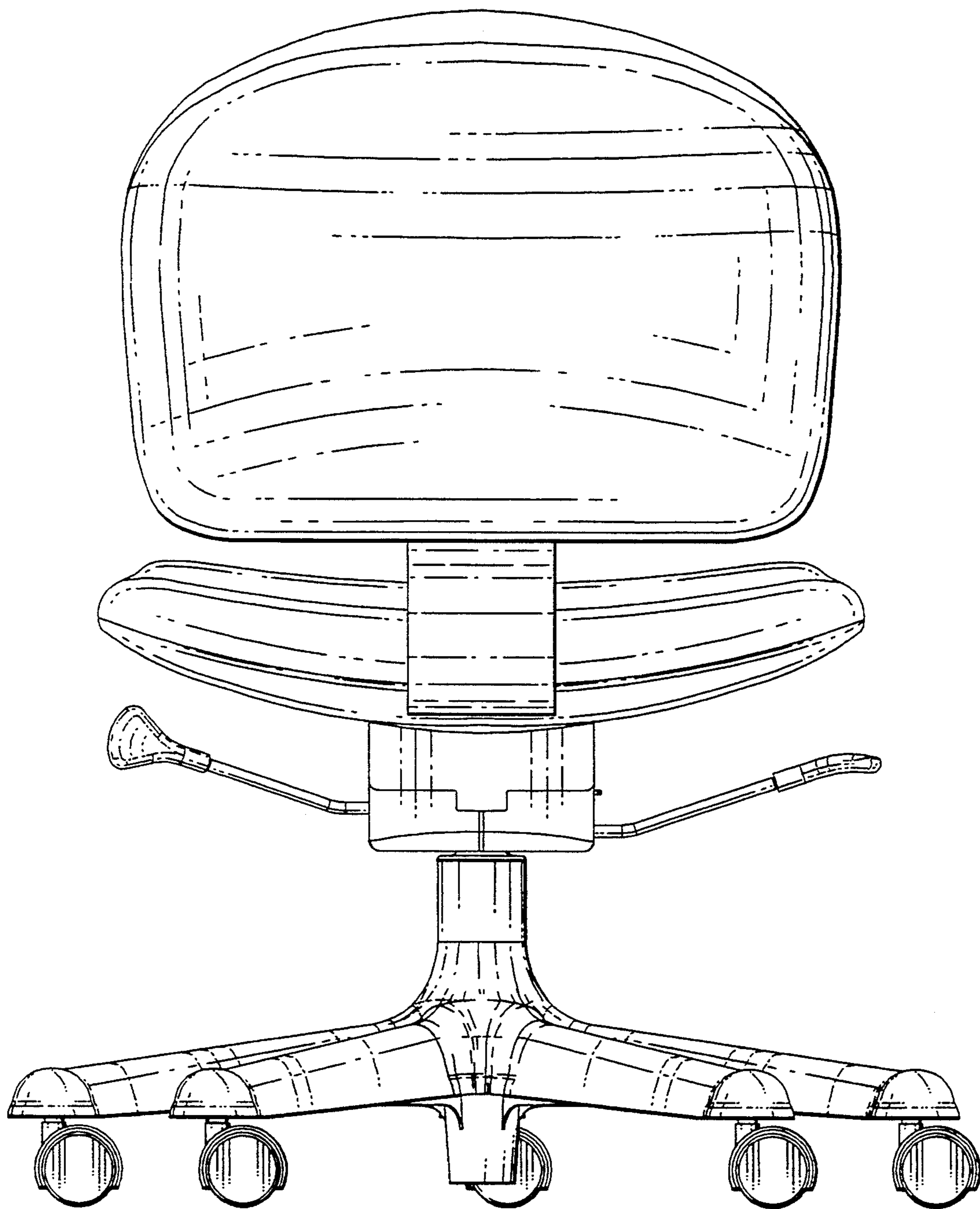


FIG. 10

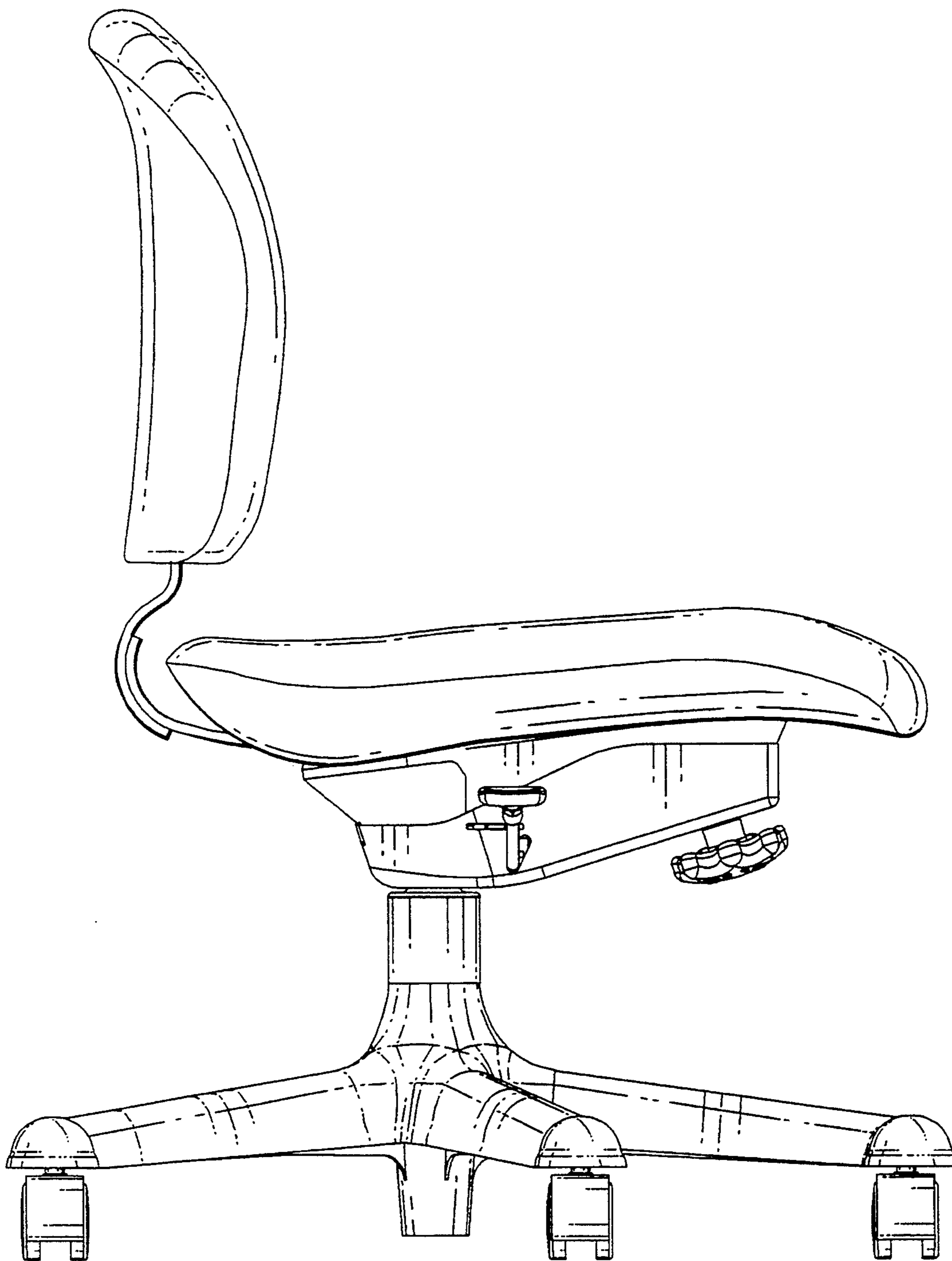


FIG. 11

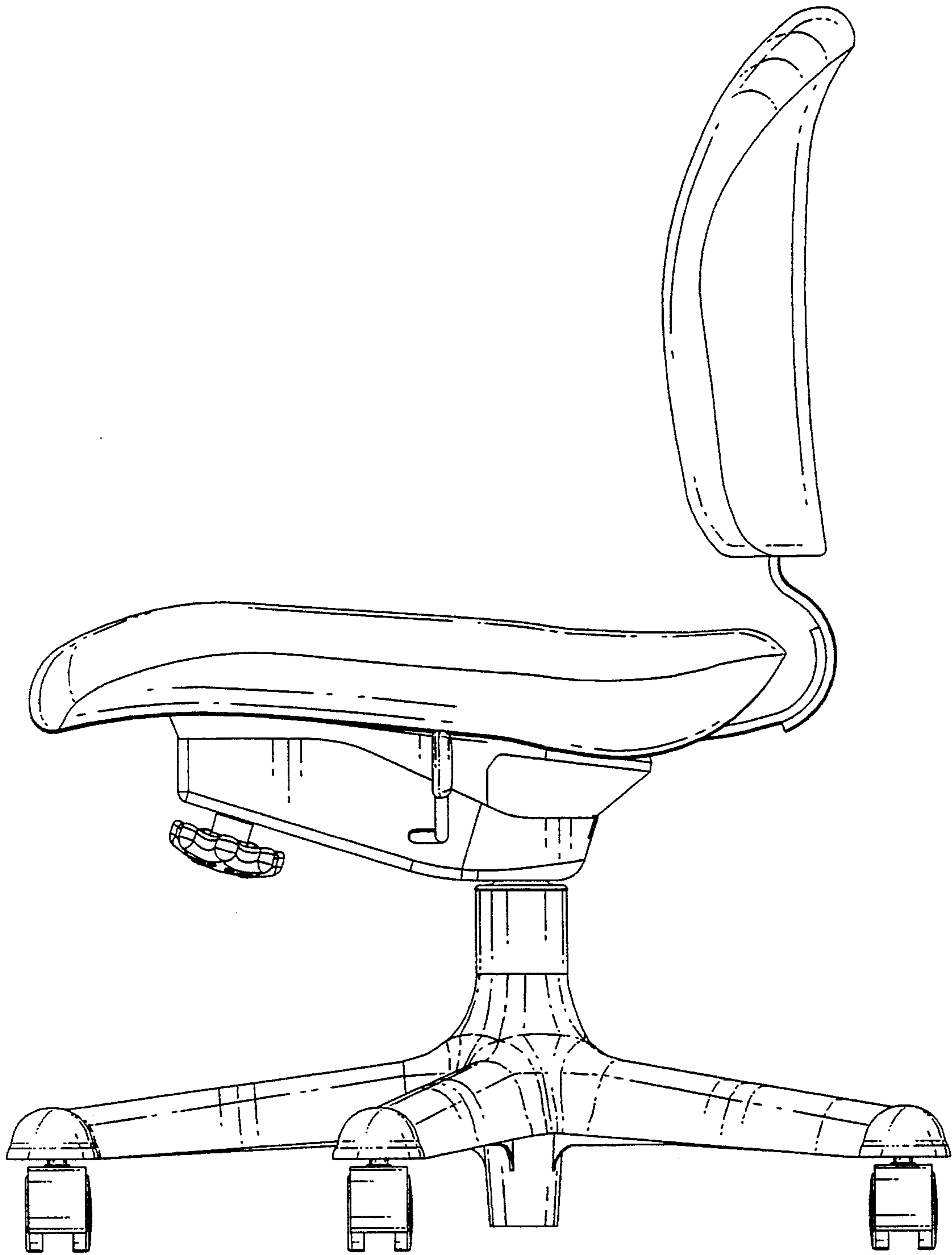


FIG. 12

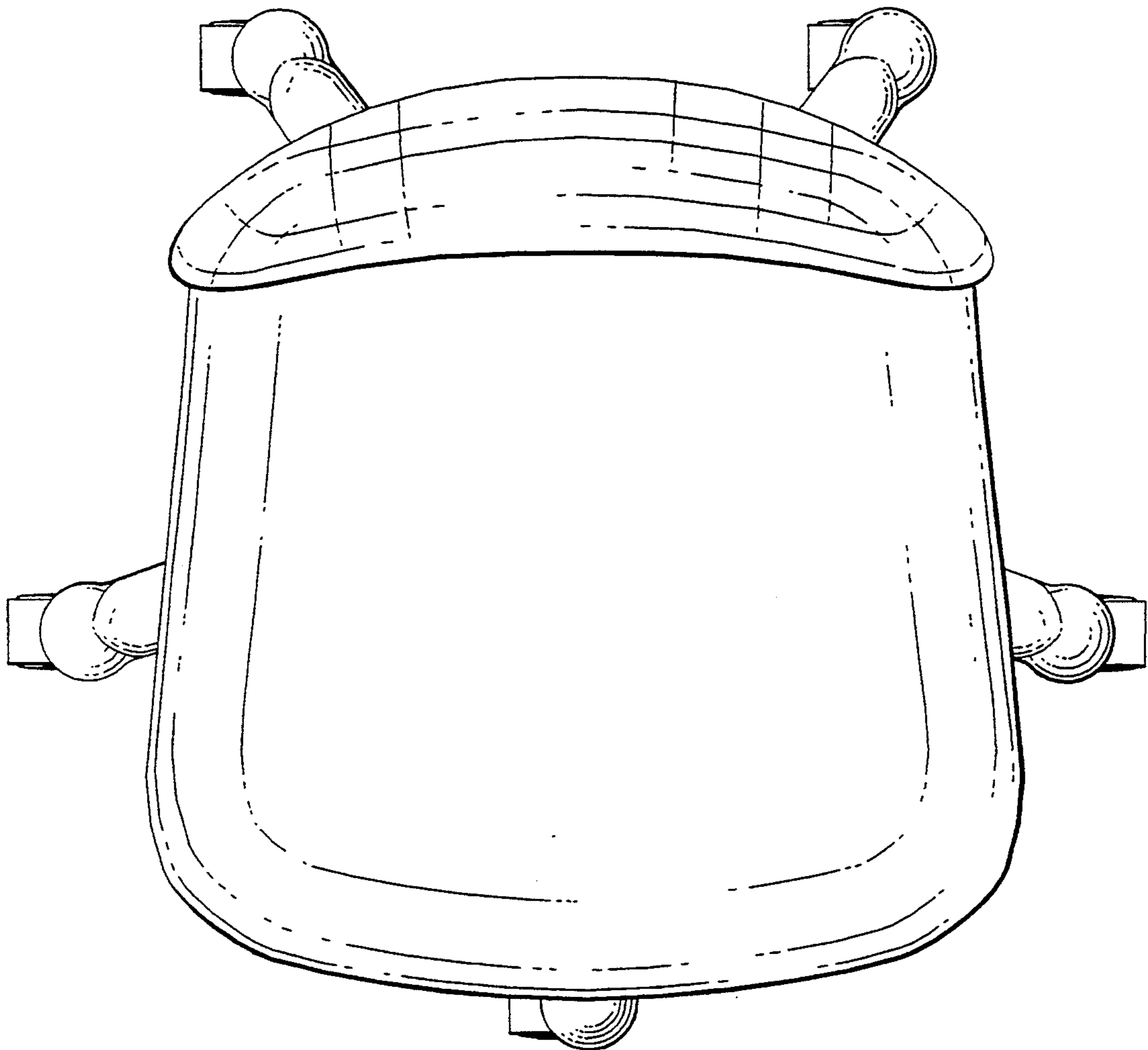


FIG. 13

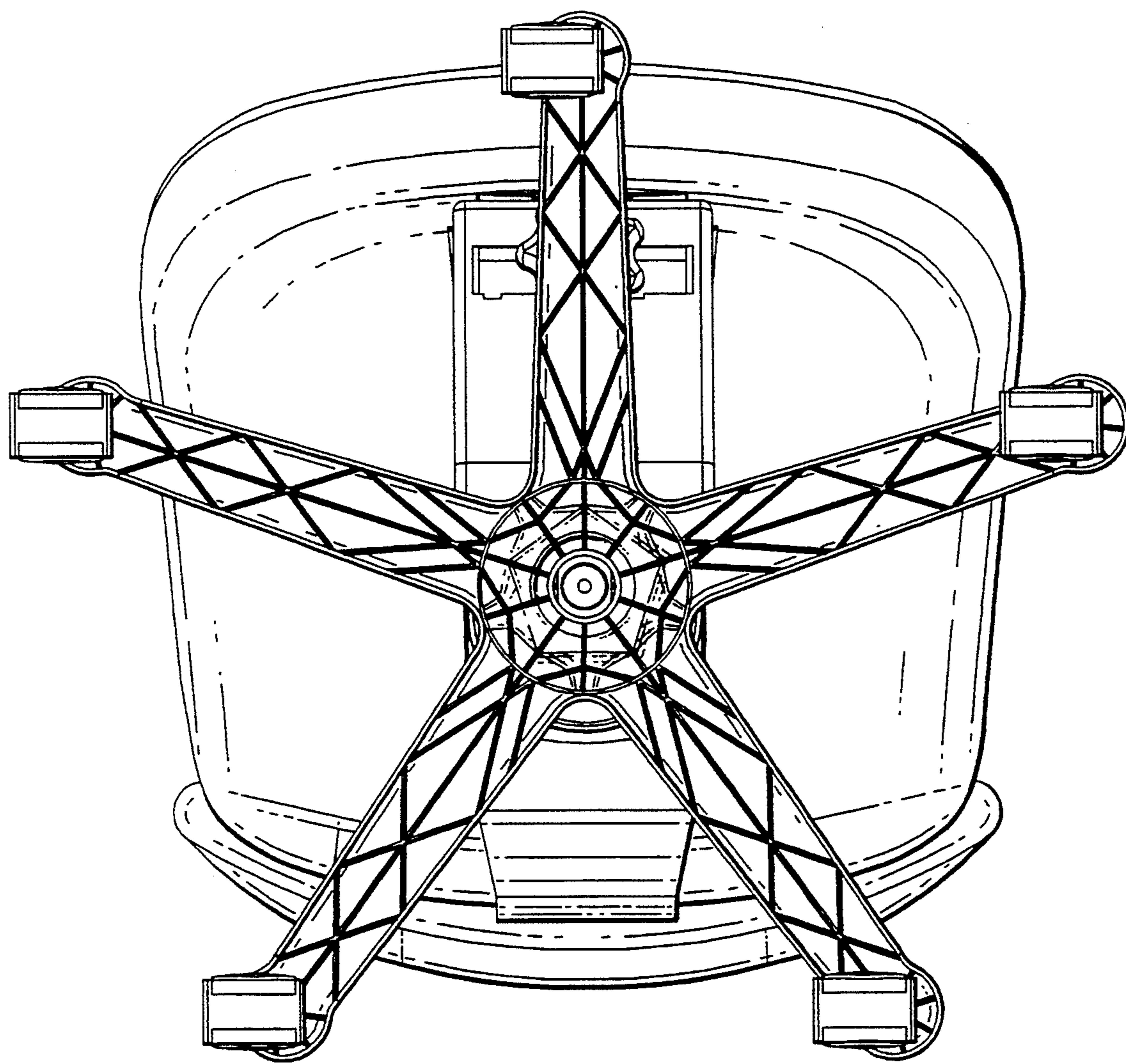


FIG. 14