



US00D352178S

United States Patent [19]

[11] Patent Number: **Des. 352,178**

Shalson

[45] Date of Patent: **** Nov. 8, 1994**

[54] **LOCKING SUPPORT FOR GARMENTS OR ACCESSORIES**

[75] Inventor: **Peter Shalson**, London, England

[73] Assignee: **Braitrim (U.K.) Limited**, London, England

[**] Term: **14 Years**

[21] Appl. No.: **810,916**

[22] Filed: **Dec. 20, 1991**

[52] U.S. Cl. **D6/326; D6/315; D8/394**

[58] **Field of Search** **D6/315, 320, 323, 326; D8/394; 211/1.3; 223/85; 248/316.1, 316.2, 316.5; 24/530**

[56] **References Cited**

U.S. PATENT DOCUMENTS

- D. 49,317 7/1916 Shultz D6/323
- D. 145,813 10/1946 Marsh D6/323
- D. 166,792 5/1952 Bookman et al. D6/323

- D. 301,522 6/1989 Kolton et al. D6/315
- D. 307,522 5/1990 Bellini D6/323
- 1,257,406 2/1918 Sauerman 248/316.5
- 4,972,556 11/1990 Andreasen 24/530

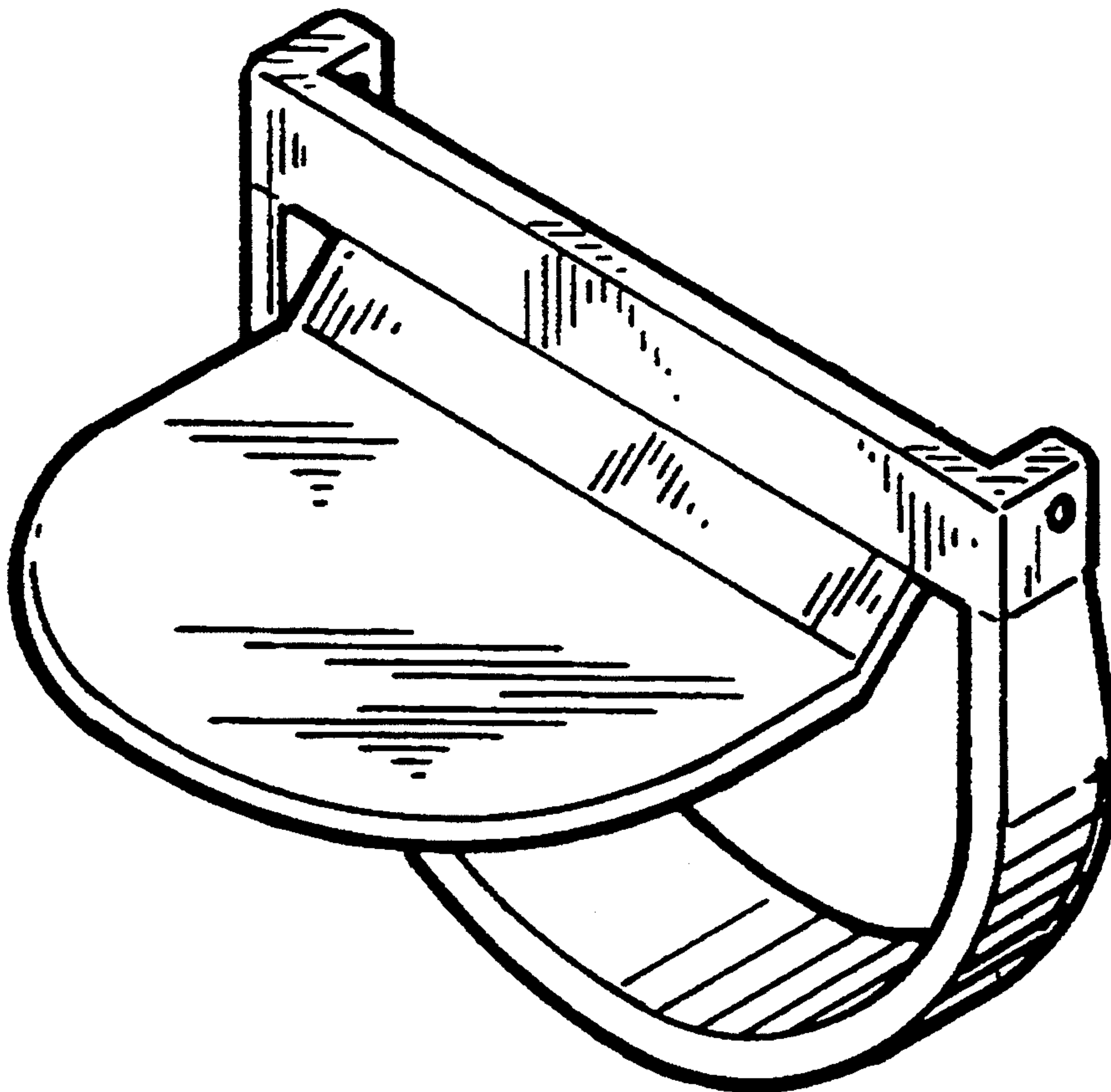
Primary Examiner—B. J. Bullock
Attorney, Agent, or Firm—Ladas & Parry

[57] **CLAIM**

The ornamental design for a locking support for garments or accessories, as shown.

DESCRIPTION

FIG. 1 is a side elevational view of a garment hanger showing my new design in an open condition;
 FIG. 2 is a front elevational view thereof;
 FIG. 3 is a rear elevational view thereof;
 FIG. 4 is a cross-sectional view taken in the direction of the arrows on line 4—4 of FIG. 3.
 FIG. 5 is a perspective view thereof;
 FIG. 6 is a top plan view thereof;
 FIG. 7 is a bottom plan view thereof, and,
 FIG. 8 is a perspective view on the closed position.



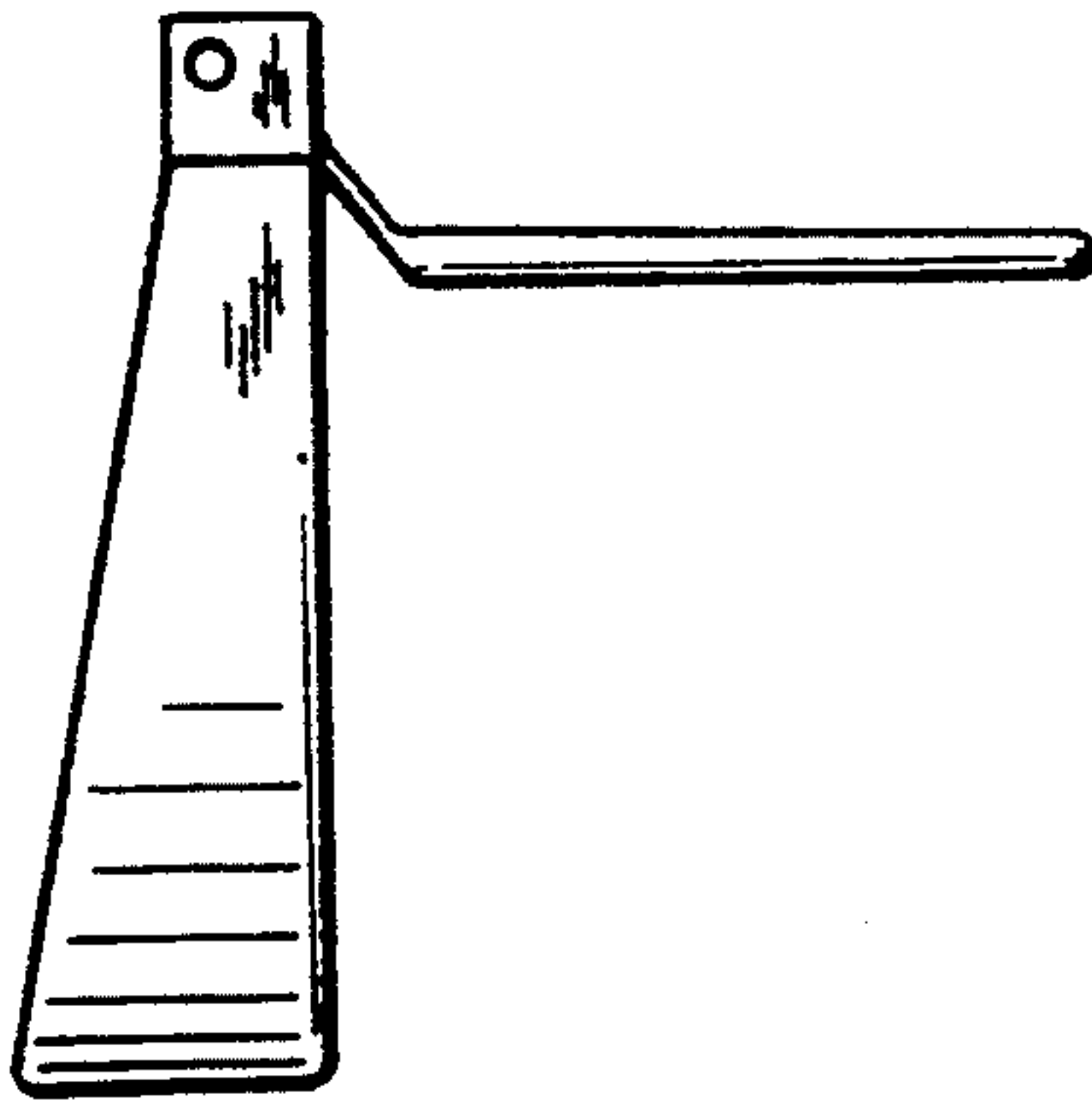


Fig.1

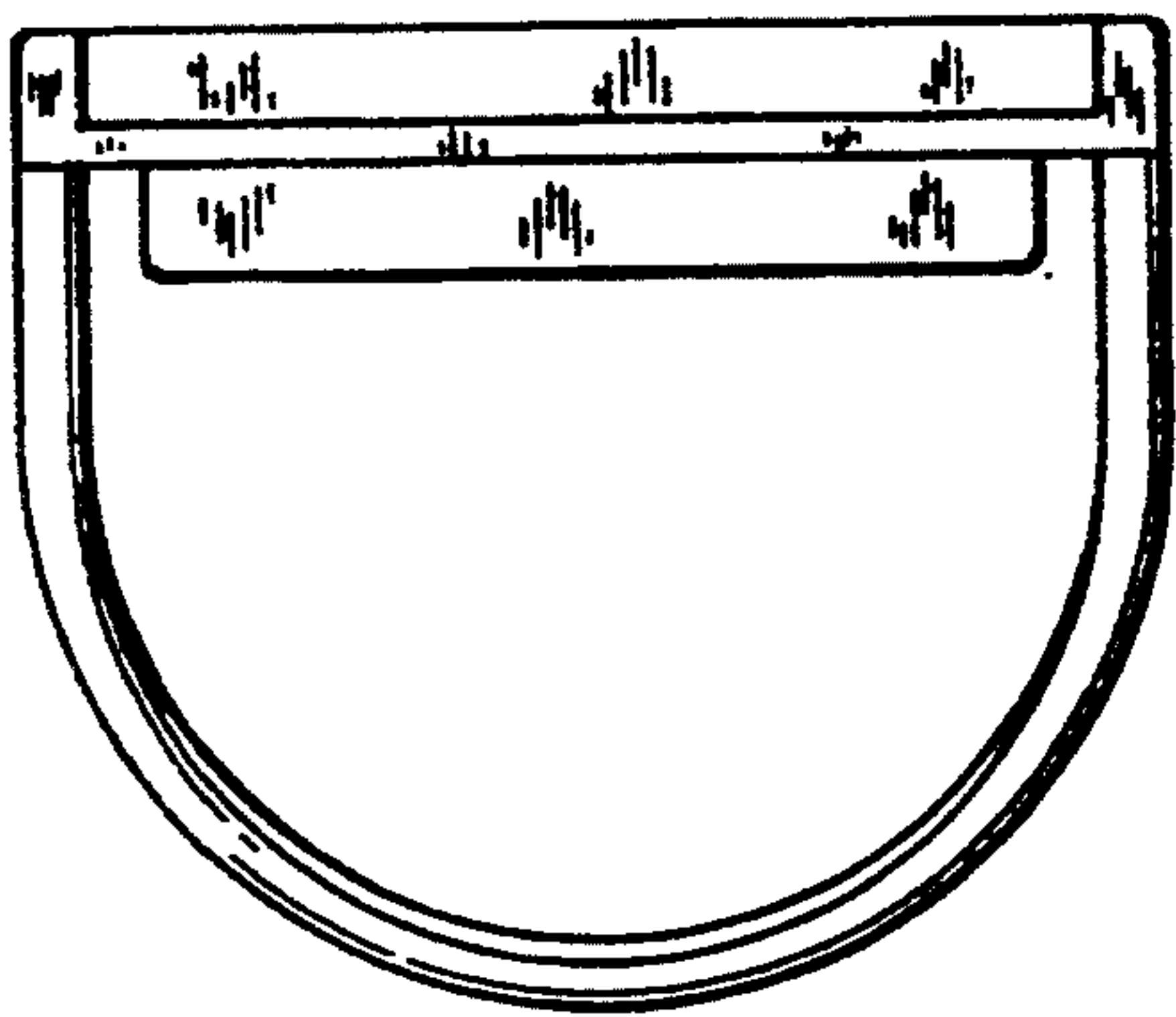


Fig.2

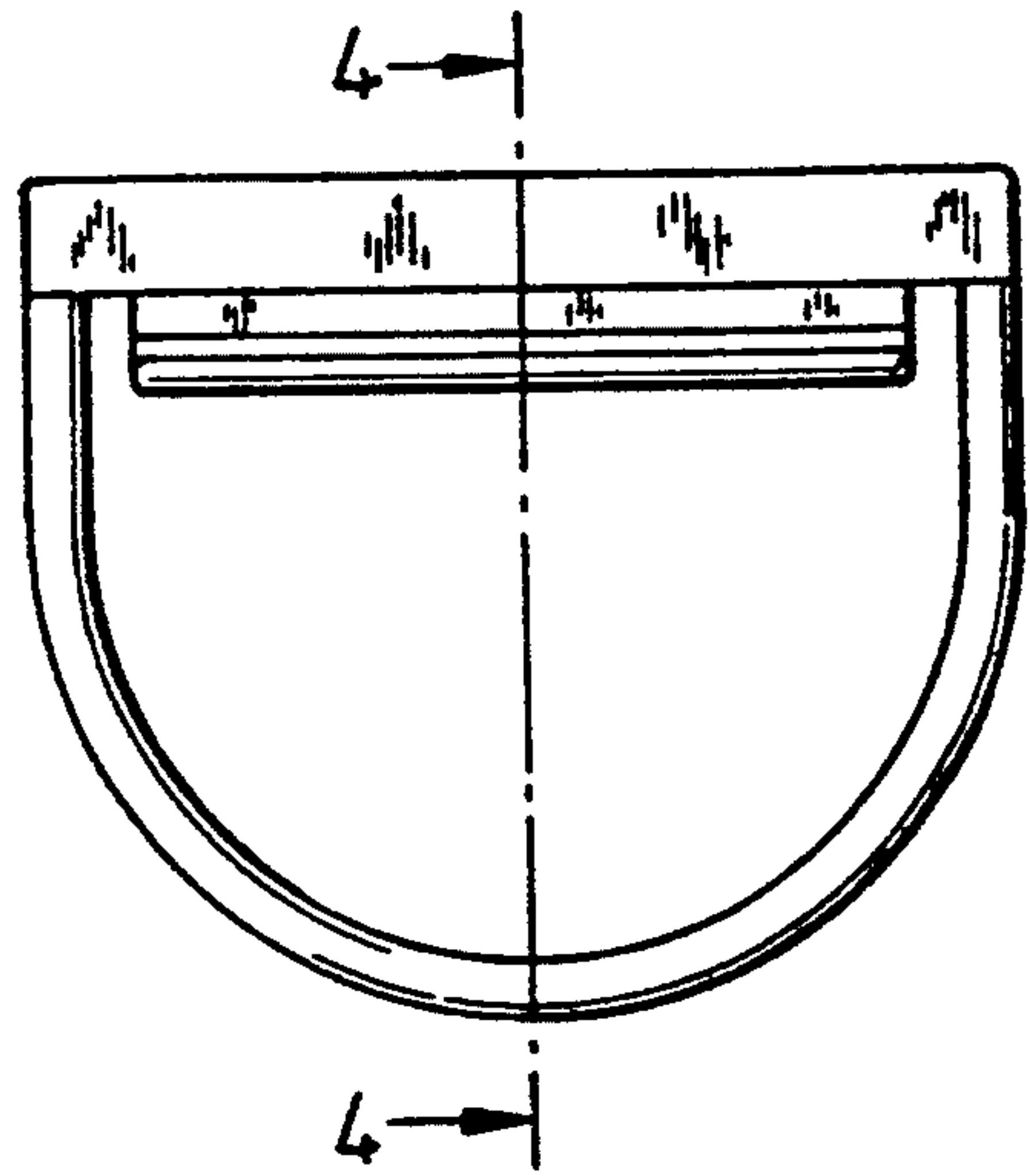


Fig.3

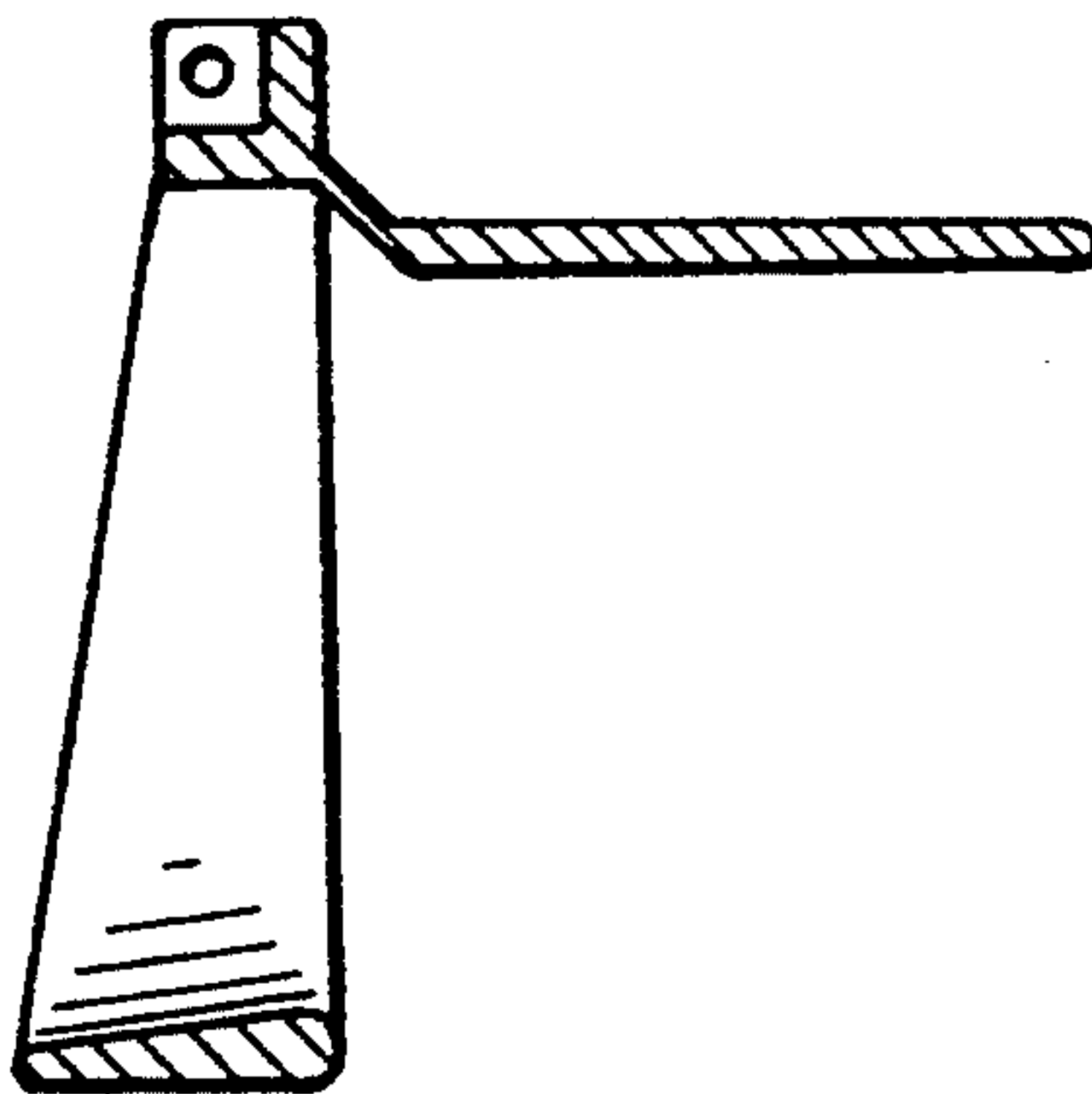


Fig.4

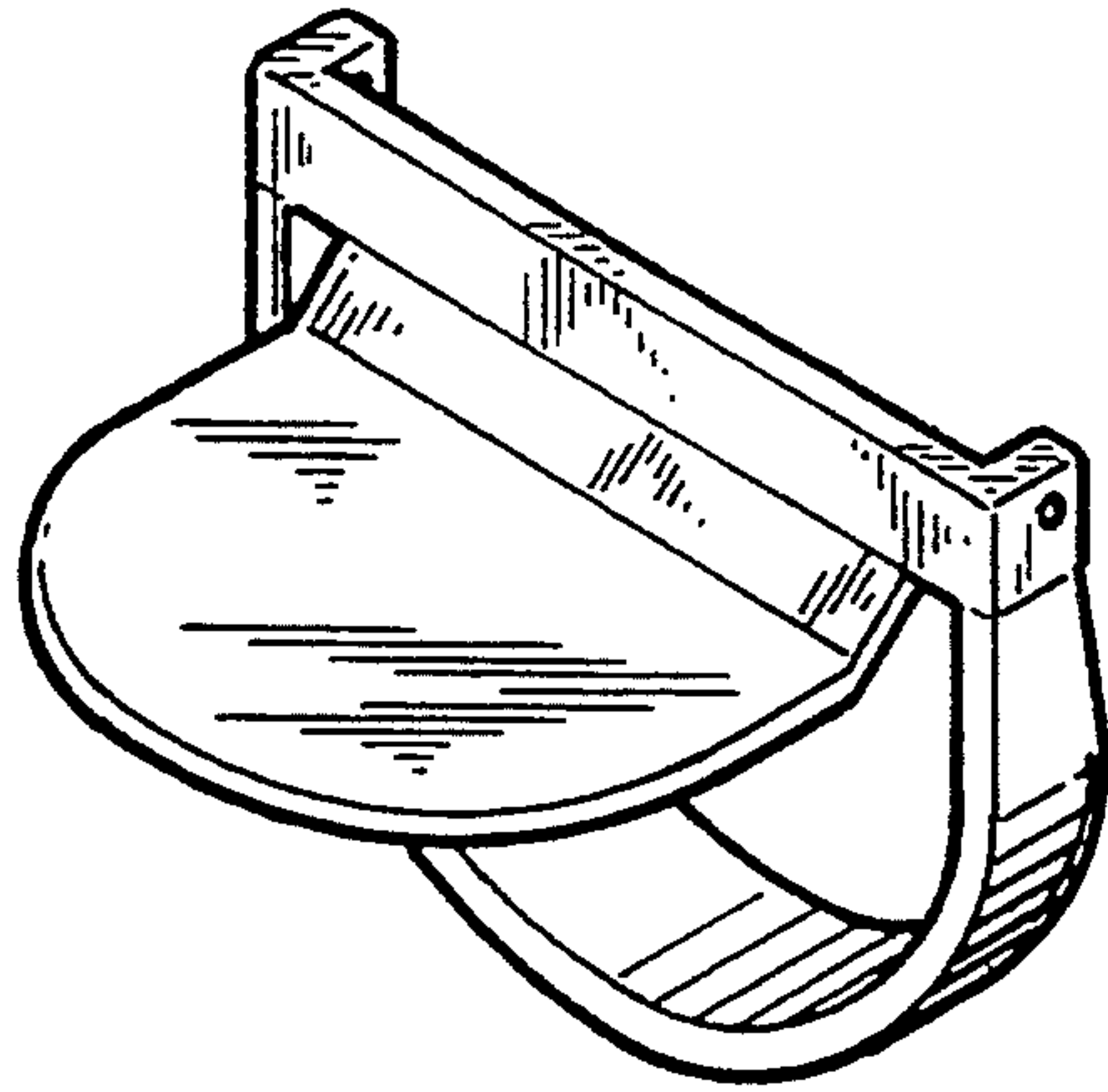


Fig. 5

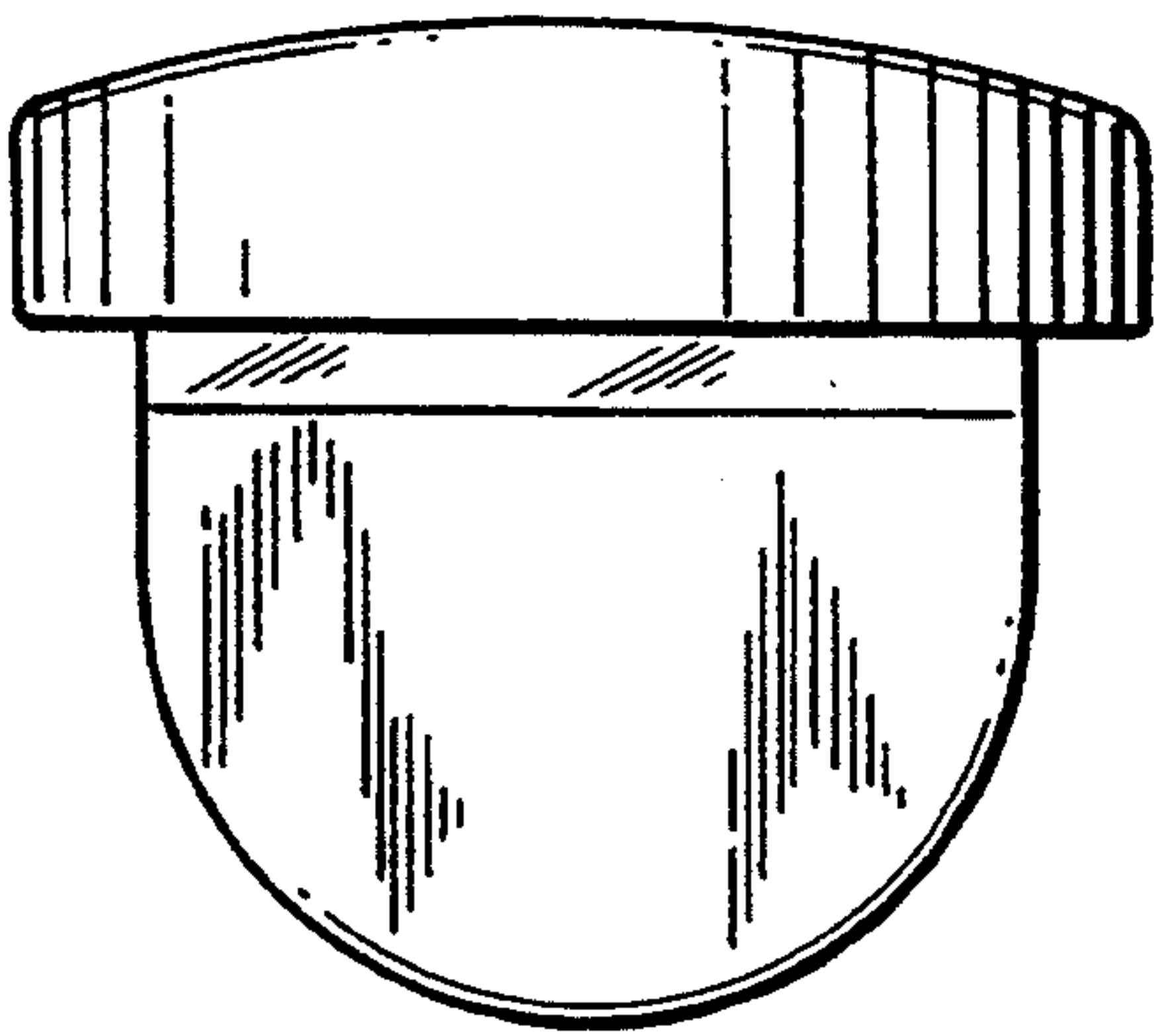


Fig. 6

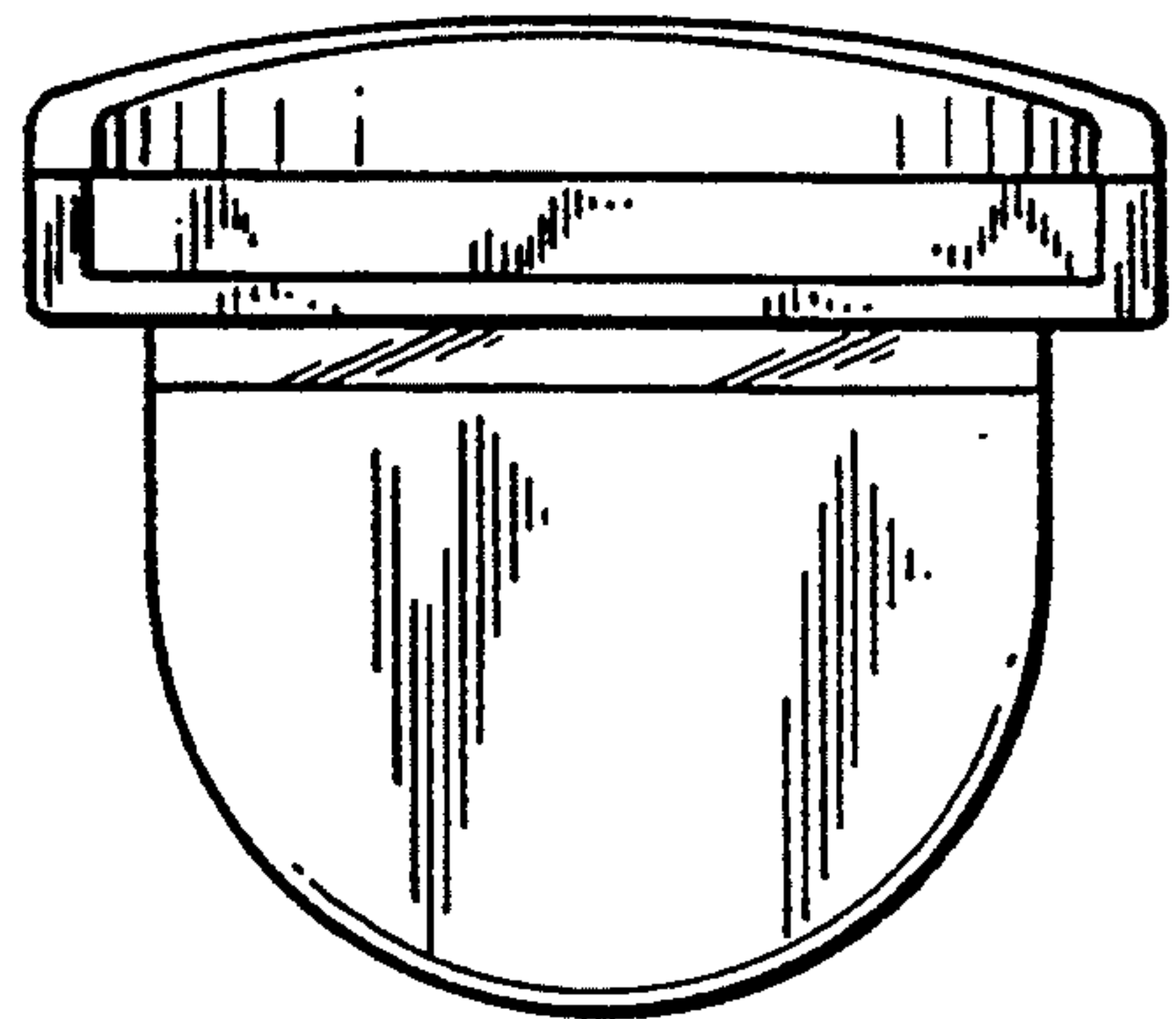


Fig. 7

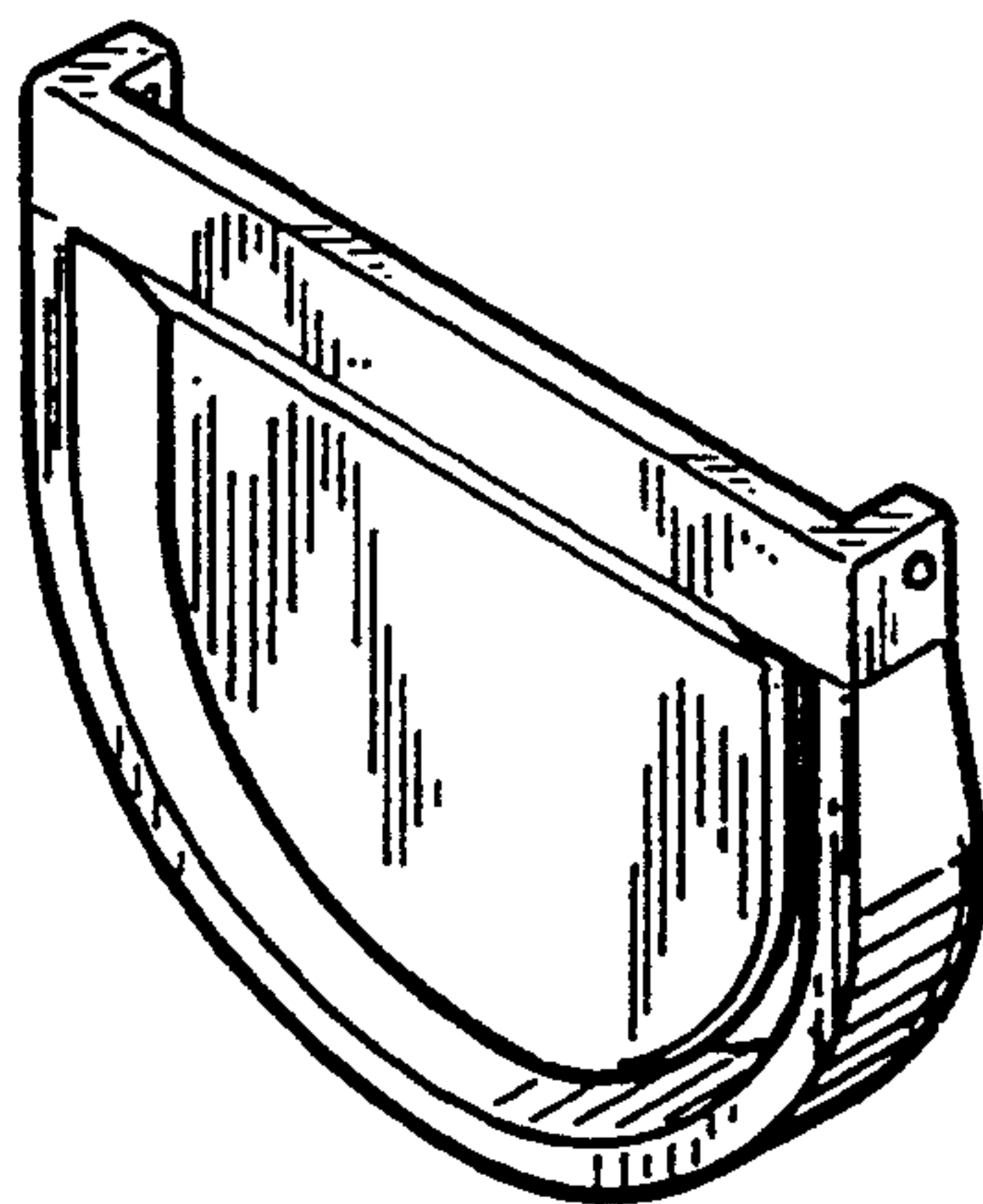


Fig. 8