



US00D352177S

United States Patent [19]

[11] Patent Number: **Des. 352,177**

Nadel

[45] Date of Patent: **** Nov. 8, 1994**

[54] **ROTATABLE TIE RACK**

[75] Inventor: **Murray A. Nadel**, New Rochelle, N.Y.

[73] Assignee: **Nadel Industries, Inc.**, Port Chester, N.Y.

[**] Term: **14 Years**

[21] Appl. No.: **5,298**

[22] Filed: **Mar. 1, 1993**

[52] U.S. Cl. **D6/315; D6/322**

[58] Field of Search **D6/315, 322; 211/95, 211/113, 115, 94**

3,028,974 4/1962 Loeb .

3,339,744 9/1967 Ginsberg 211/115

3,416,673 12/1968 Ballard .

3,756,455 9/1973 Patrick .

5,191,984 3/1993 Kon et al. 211/95

Primary Examiner—B. J. Bullock
Attorney, Agent, or Firm—Amster Rothstein & Ebenstein

[57] CLAIM

The ornamental design for a rotatable tie rack, as shown and described.

DESCRIPTION

FIG. 1 is a top plan view of a rotatable tie rack showing my new design;

FIG. 2 is a rear elevational view thereof;

FIG. 3 is a front elevational view thereof;

FIG. 4 is a bottom plan elevational view thereof; and,

FIG. 5 is a left side elevational view thereof, the side opposite being a mirror image.

[56] **References Cited**
U.S. PATENT DOCUMENTS

D. 229,909 1/1974 Goldfeder .

D. 298,591 11/1988 Arner et al. .

2,275,749 3/1942 Fisher .

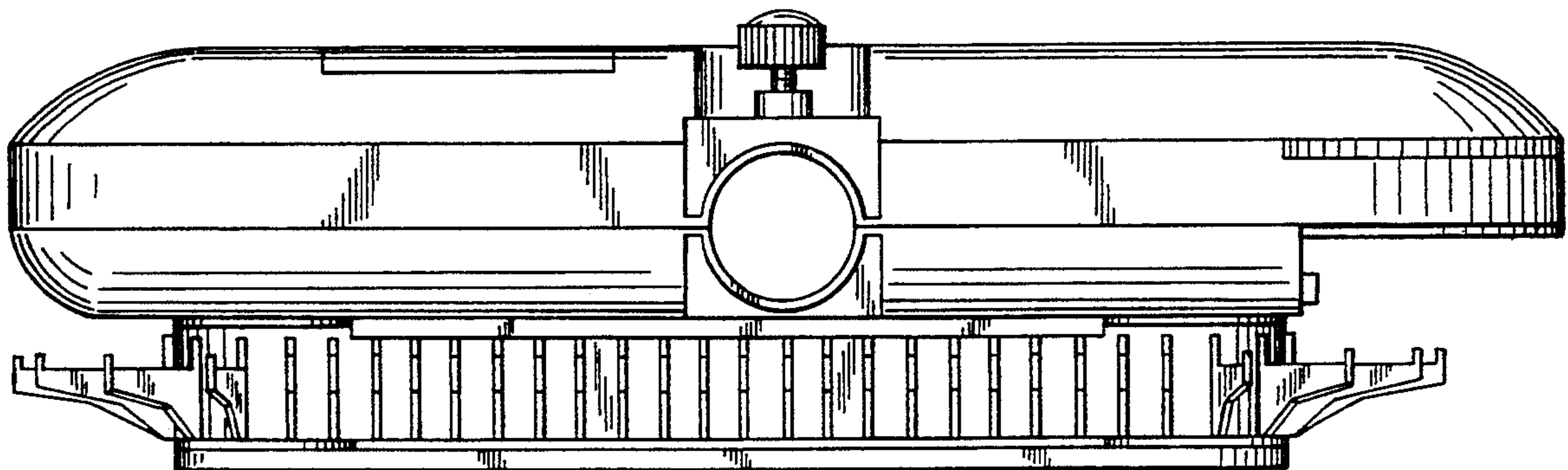
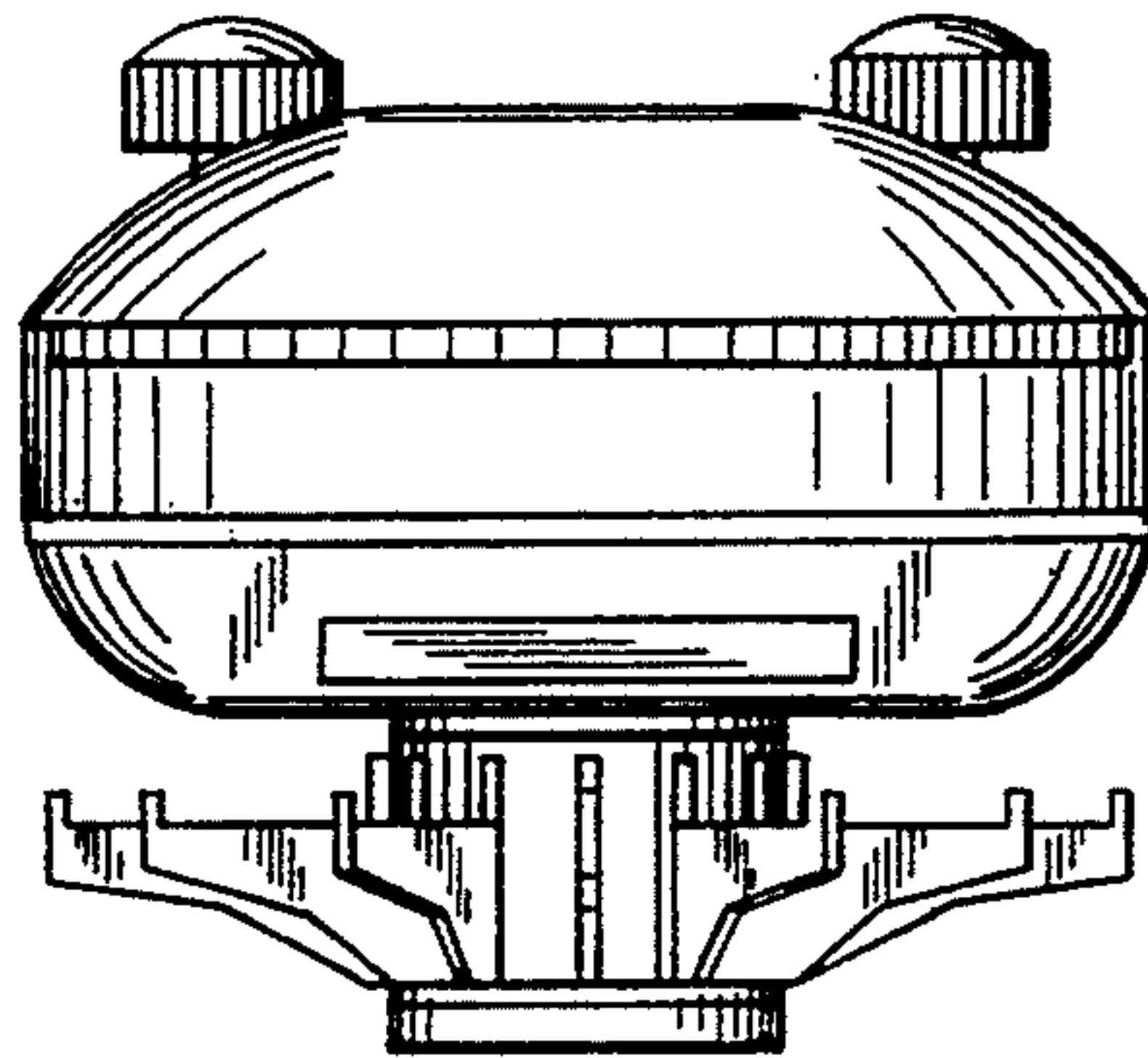


FIG. 1

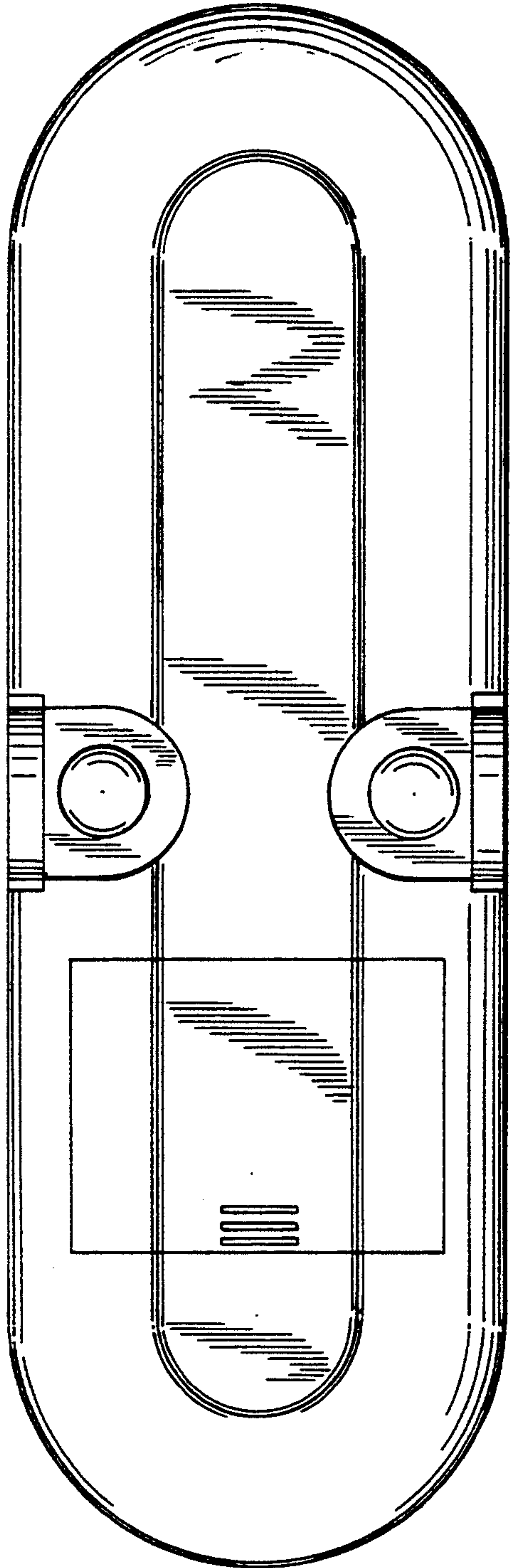


FIG. 2

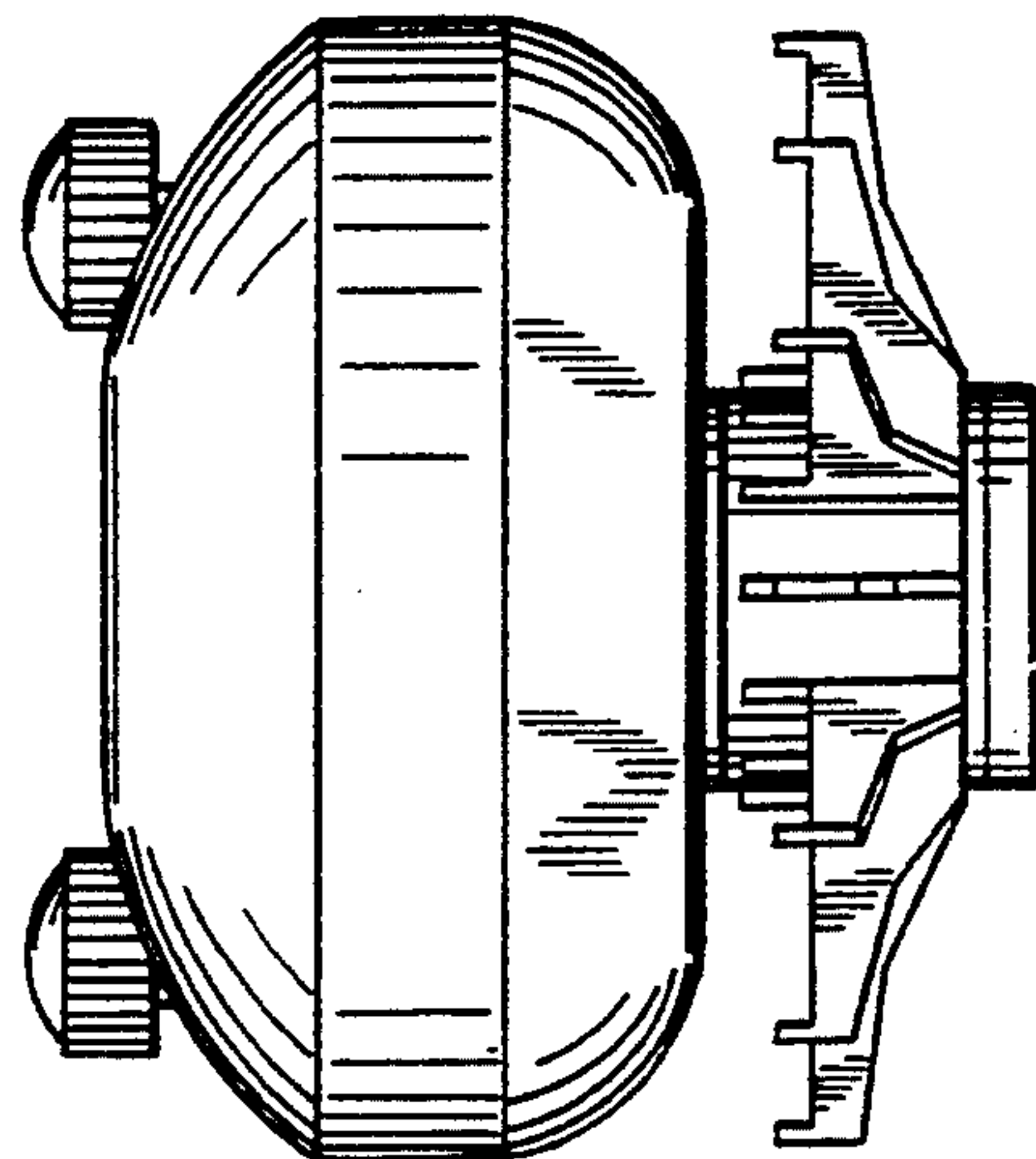


FIG. 3

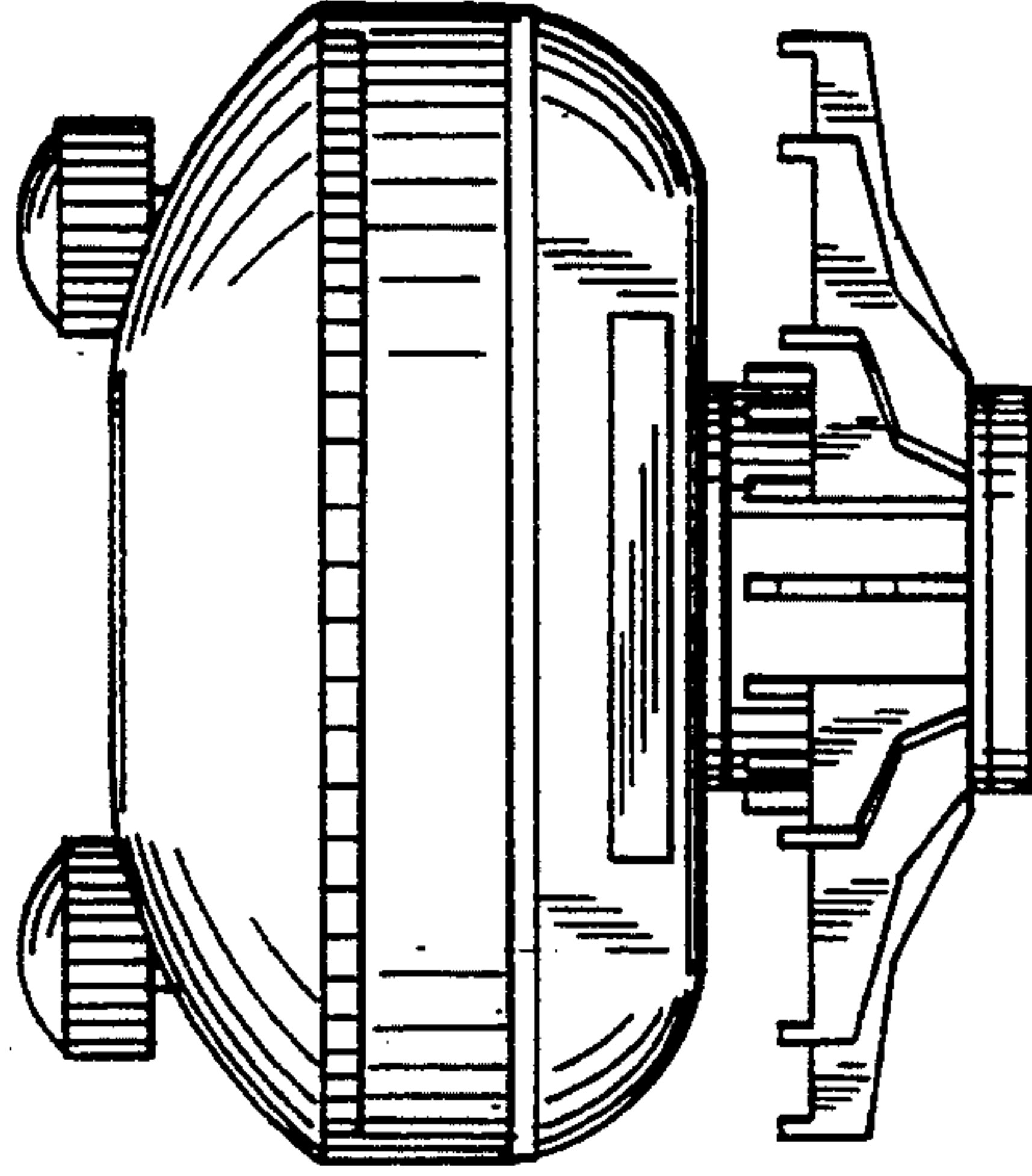


FIG. 4

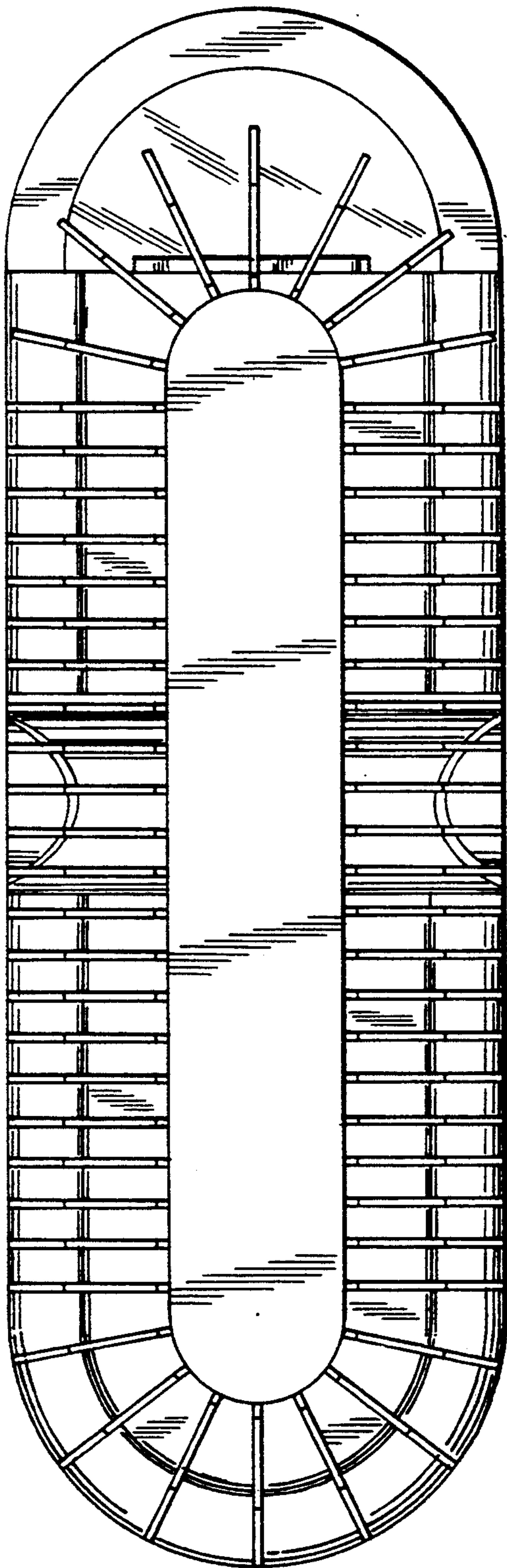


FIG. 5

