



US00D352176S

United States Patent [19] McMillan

[11] Patent Number: **Des. 352,176**
[45] Date of Patent: **** Nov. 8, 1994**

[54] **SPORTS MEMORABILIA HOLDER**
[75] Inventor: **Bruce D. McMillan**, Surrey, Canada
[73] Assignee: **PKK, Incorporated**, Seattle, Wash.
[**] Term: **14 Years**
[21] Appl. No.: **951,544**
[22] Filed: **Sep. 21, 1992**
[52] U.S. Cl. **D6/310; D6/302; D6/314**
[58] Field of Search **D6/300-303, D6/308-314, 419; 40/152, 152.1, 152.2, 153-156; 248/442.2, 445, 465.1, 466, 441.1; D20/40**

4,524,867 6/1985 Klein .
4,691,456 9/1987 Ackeret .
4,703,045 11/1987 Nyman .
4,703,853 11/1987 Byrns .
4,745,695 5/1988 Hetzer .
4,773,173 9/1988 Christian 40/152.1
4,829,691 5/1989 Manjos .
4,869,364 9/1989 Bray .
5,010,673 4/1991 Connor .
5,082,110 1/1992 Hager .
5,165,538 11/1992 Peters .
5,222,315 6/1993 Lovison 40/152.1 X

FOREIGN PATENT DOCUMENTS

69963 1/1992 Canada .
608653 9/1960 Italy .
2092329 8/1982 United Kingdom .

[56] References Cited

U.S. PATENT DOCUMENTS

D. 158,699 5/1950 Wasilevich .
D. 201,452 6/1965 Shipley D10/26
D. 229,458 12/1973 Schneider .
D. 260,864 9/1981 Perry .
D. 265,485 7/1982 Liptak .
D. 277,388 1/1985 Ackeret .
D. 278,109 3/1985 Leeds D6/419
D. 307,677 5/1990 Tontarelli .
D. 316,188 4/1991 Connor .
847,052 3/1907 Englefield .
2,044,314 6/1936 Nattman 368/316
2,434,860 1/1948 Oxley D6/314 X
3,029,548 4/1962 Braha .
3,281,976 11/1966 Riedel .
3,581,422 6/1971 Kondo .
3,658,864 4/1972 Cornell .
3,808,722 5/1974 Byers .
3,949,505 4/1976 Kato .
4,019,269 4/1977 Vix .
4,195,729 4/1980 Macken .
4,199,883 4/1980 Cross 40/152.1
4,442,617 4/1984 Frye et al. 40/152.1
4,443,959 4/1984 Ackeret .

OTHER PUBLICATIONS

Display Innovations in Acrylic, p. 3 Innov. Box indes. lib. top +2nd from left.
Display Innov. in Acrylic, p. 4 Innov. Box indes lib. top center #1086.
Glyco Plastics Jul. 22 1983, p. 11, top of page.

Primary Examiner—Janice E. Seeger
Attorney, Agent, or Firm—Graybeal Jackson Haley & Johnson

[57] CLAIM

The ornamental design for a sports memorabilia holder, as shown and described.

DESCRIPTION

FIG. 1 is a perspective view of a sports memorabilia holder showing my design;
FIG. 2 is a front view thereof;
FIG. 3 is a rear view thereof;
FIG. 4 is a right side view thereof;
FIG. 5 is a left side view thereof;
FIG. 6 is a top view thereof; and,
FIG. 7 is a bottom view thereof.

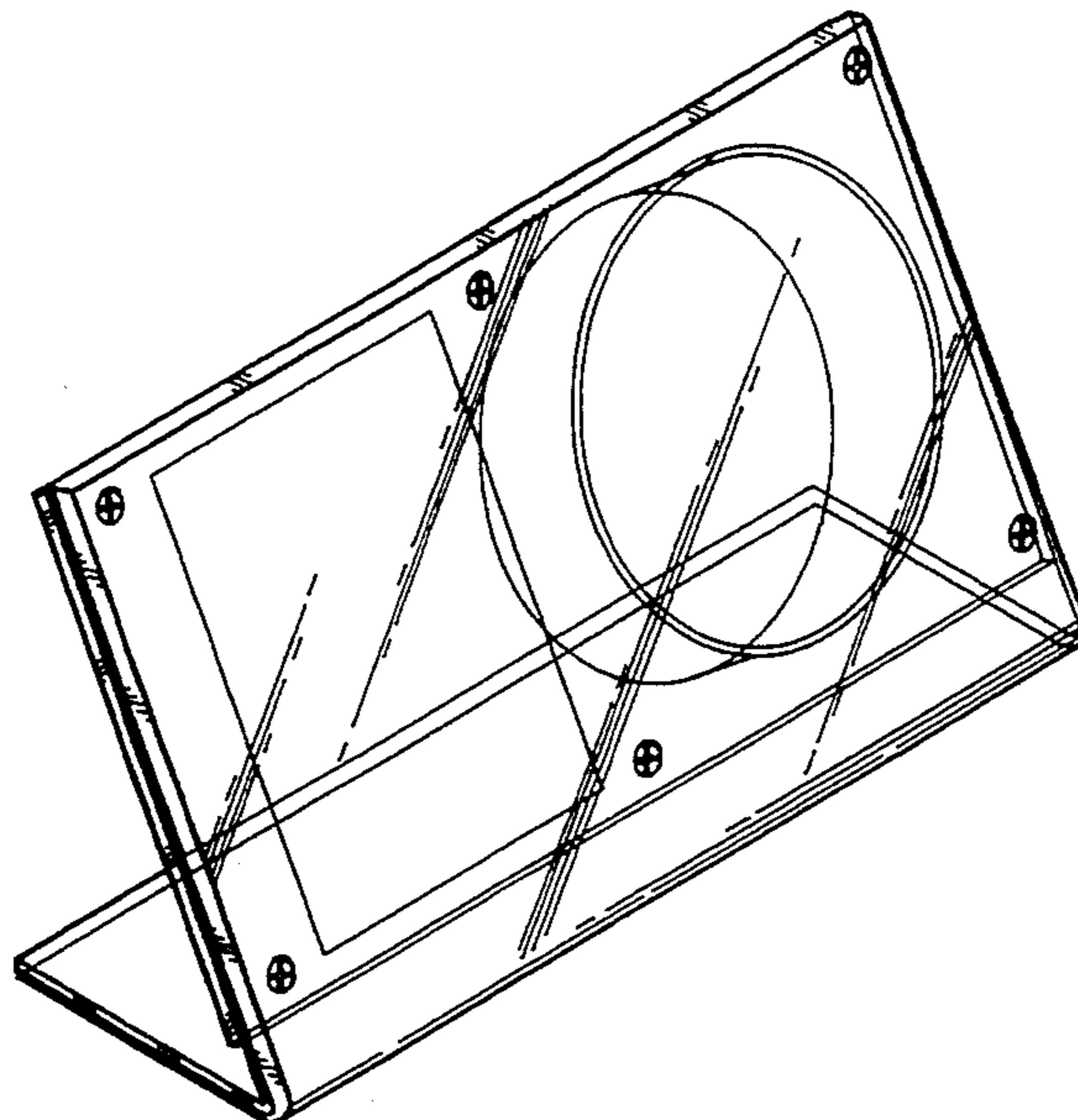


FIG. 1

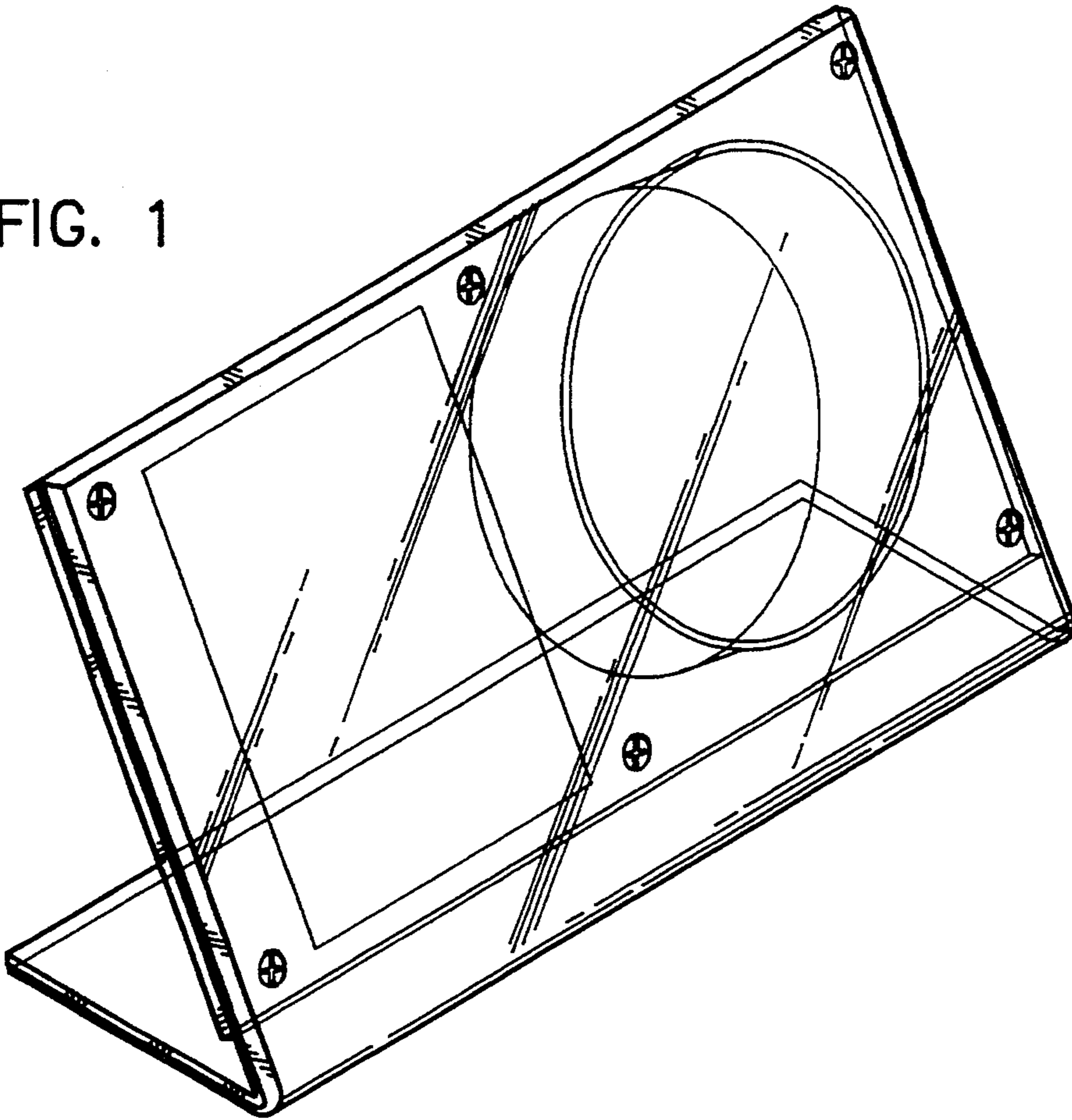


FIG. 2

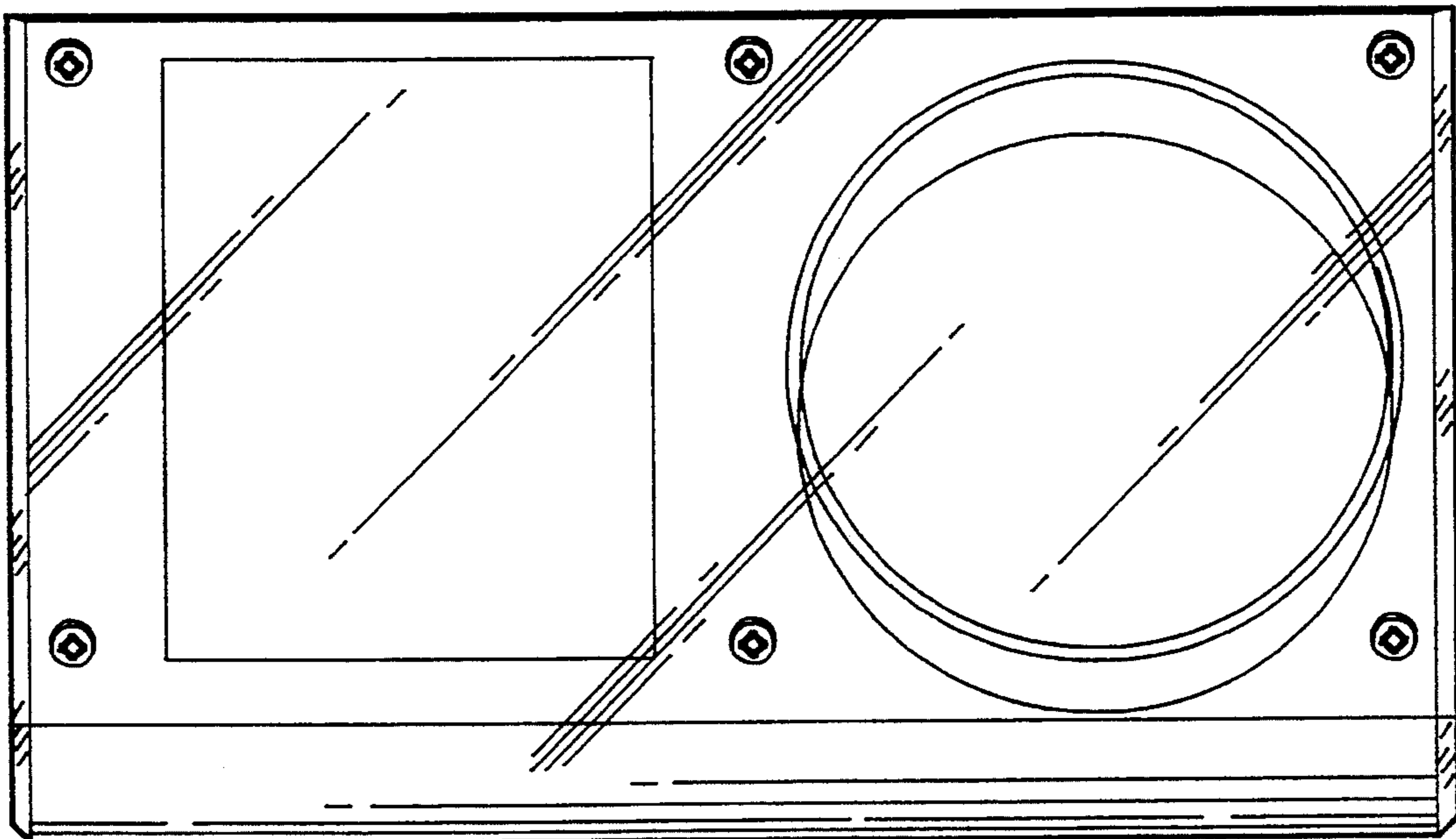


FIG. 3

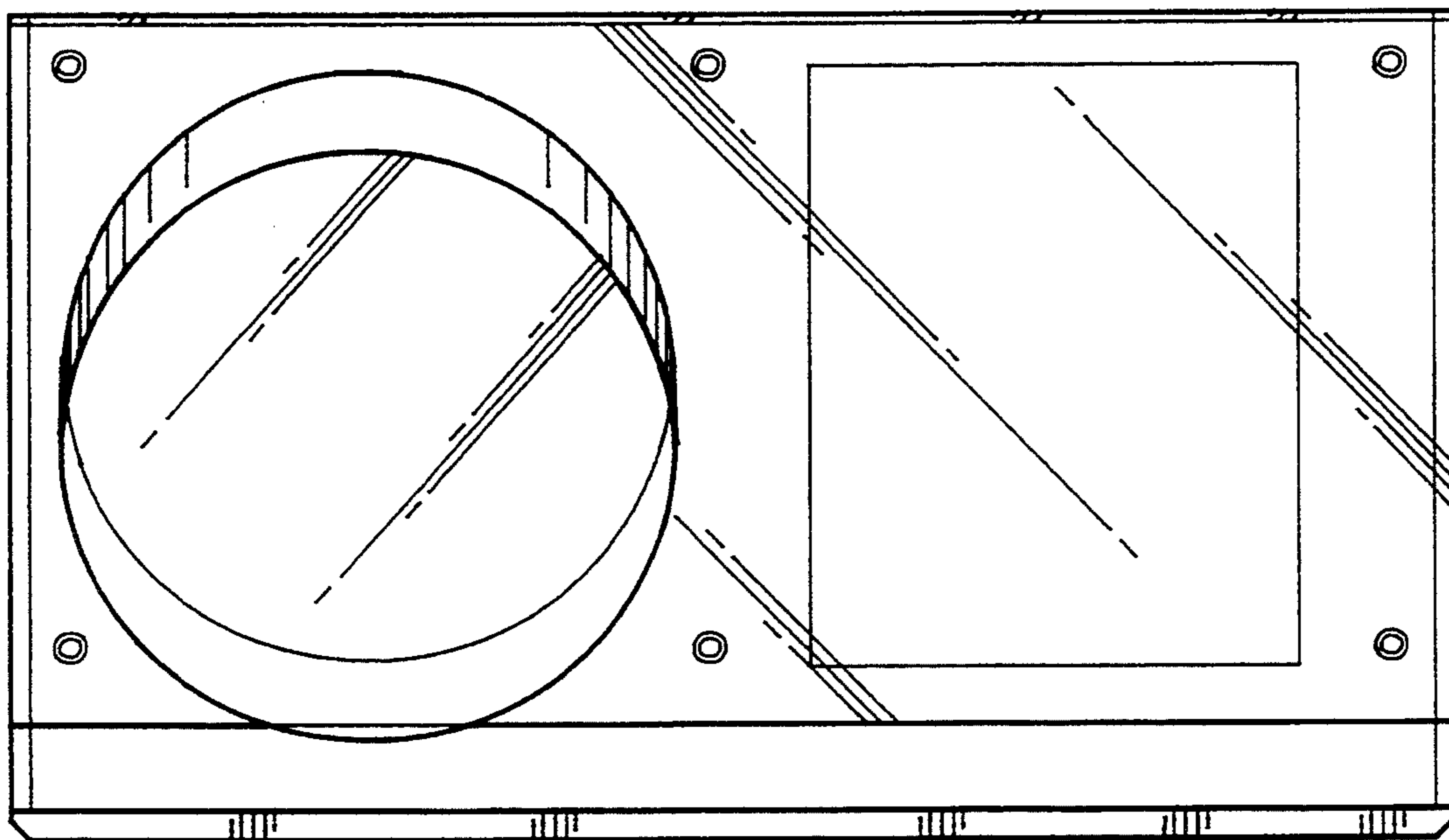


FIG. 4

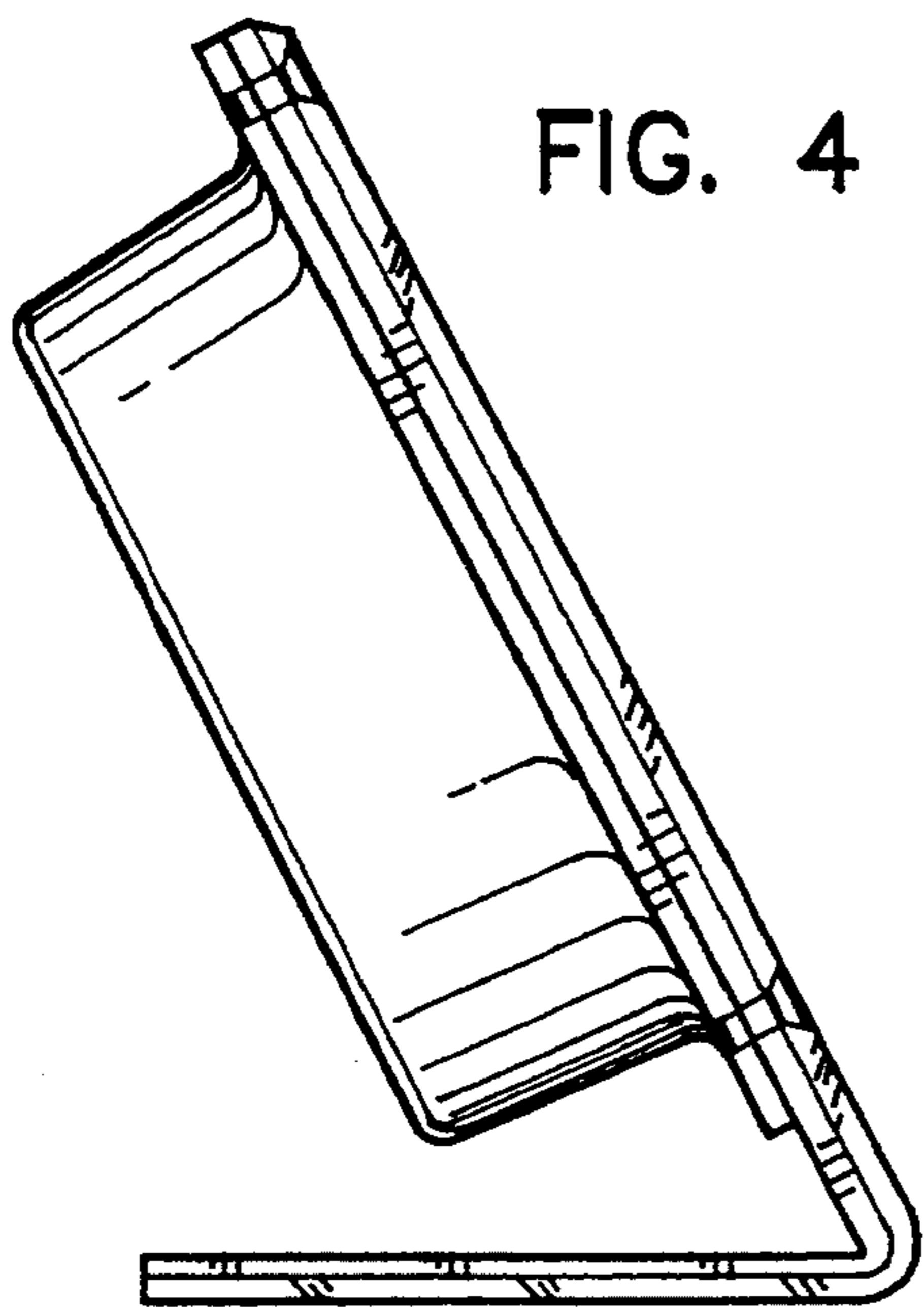


FIG. 5

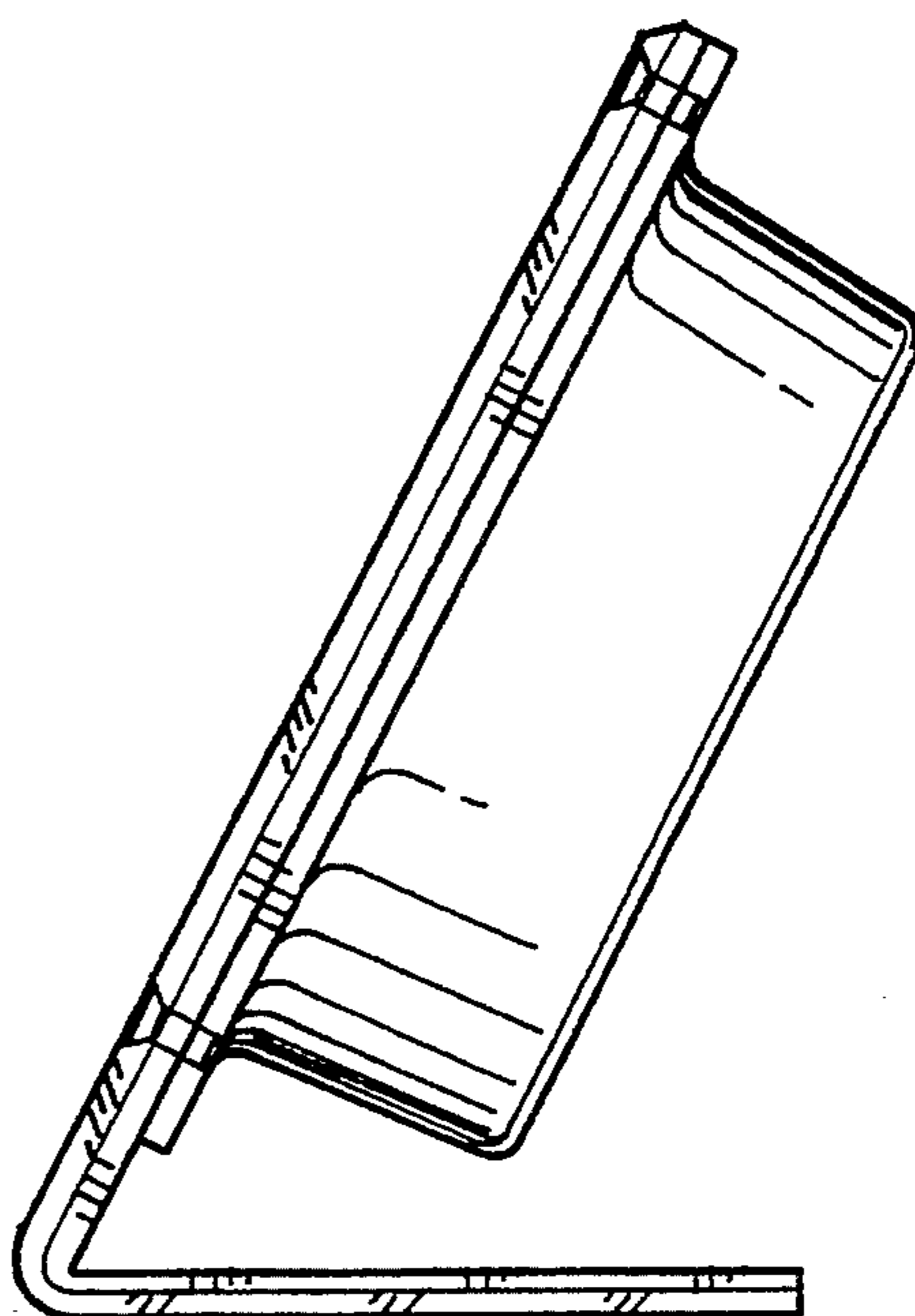


FIG. 6

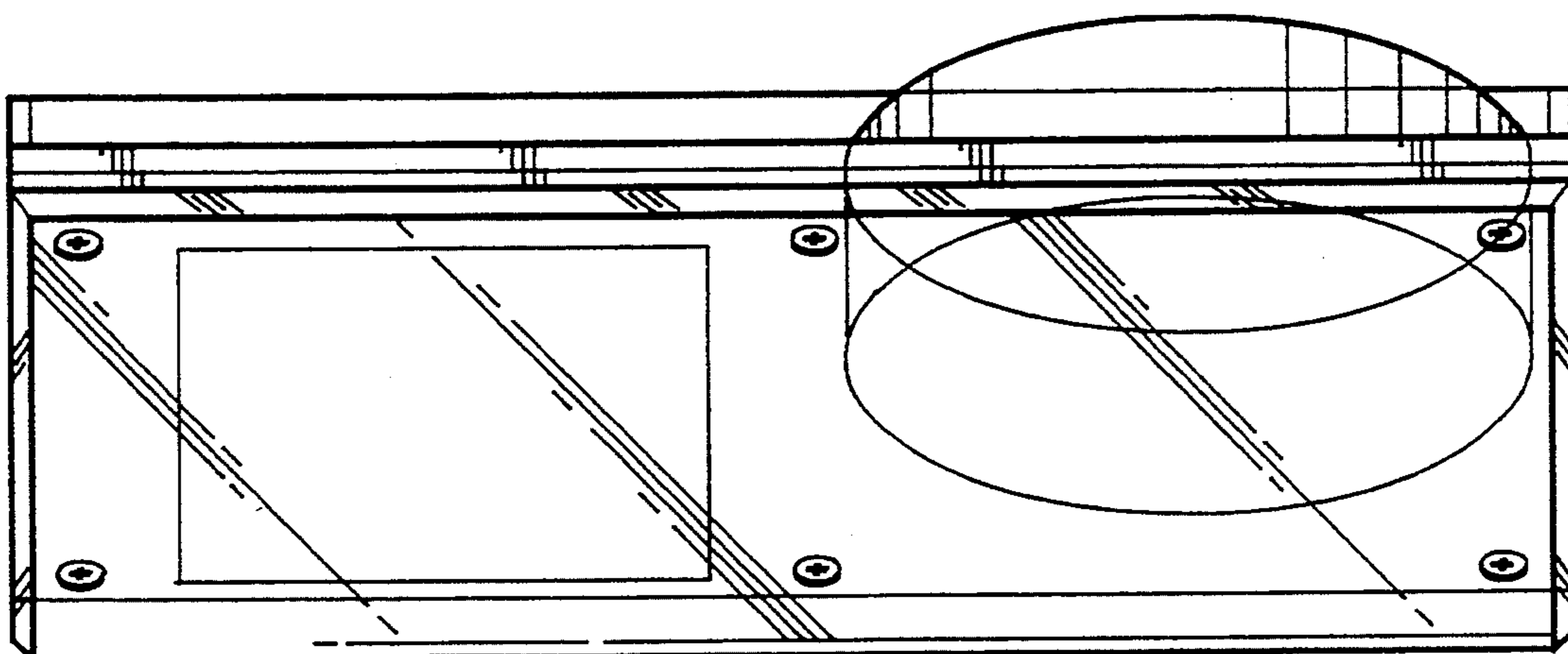


FIG. 7

