



US00D352174S

United States Patent [19]

[11] Patent Number: **Des. 352,174**

Mazzarisi et al.

[45] Date of Patent: **** Nov. 8, 1994**

[54] MULTI-USE FOOTWEAR HOLDER

4,333,677 6/1982 Crump 294/147

[76] Inventors: **Frank V. Mazzarisi**, 267 Third St., Clifton, N.J. 07011; **Angelo G. Tirone**, 291 Winifred Dr., Totowa, N.J. 07512

Primary Examiner—A. Hugo Word
Assistant Examiner—Doris V. Coles
Attorney, Agent, or Firm—M. K. Silverman

[**] Term: **14 Years**

[57] **CLAIM**

The ornamental design for a multi-use footwear holder, as shown and described.

[21] Appl. No.: **4,613**

DESCRIPTION

[22] Filed: **Feb. 9, 1993**

[52] U.S. Cl. **D3/317**

[58] Field of Search D3/315, 317, 261; 294/162, 147, 163, 165

FIG. 1 is a perspective view of the multi use footwear holder;
FIG. 2 is a front view of which a rear view is a mirror image thereof;
FIG. 3 is a side view of the multi-use footwear holder of which the opposite side is a mirror image thereof;
FIG. 4 is a top view thereof; and,
FIG. 5 is a bottom view of the ornamental design.
The broken line showing of a strap in FIGS. 1-5 is for illustrative purposes only and forms no part of the claimed design.

[56] **References Cited**

U.S. PATENT DOCUMENTS

D. 255,064	5/1980	Allsop	D3/317
D. 260,575	9/1981	Brown, Jr.	D3/317
2,680,258	6/1954	Salzman	D3/317 X
3,272,413	9/1966	Pfleider	294/147

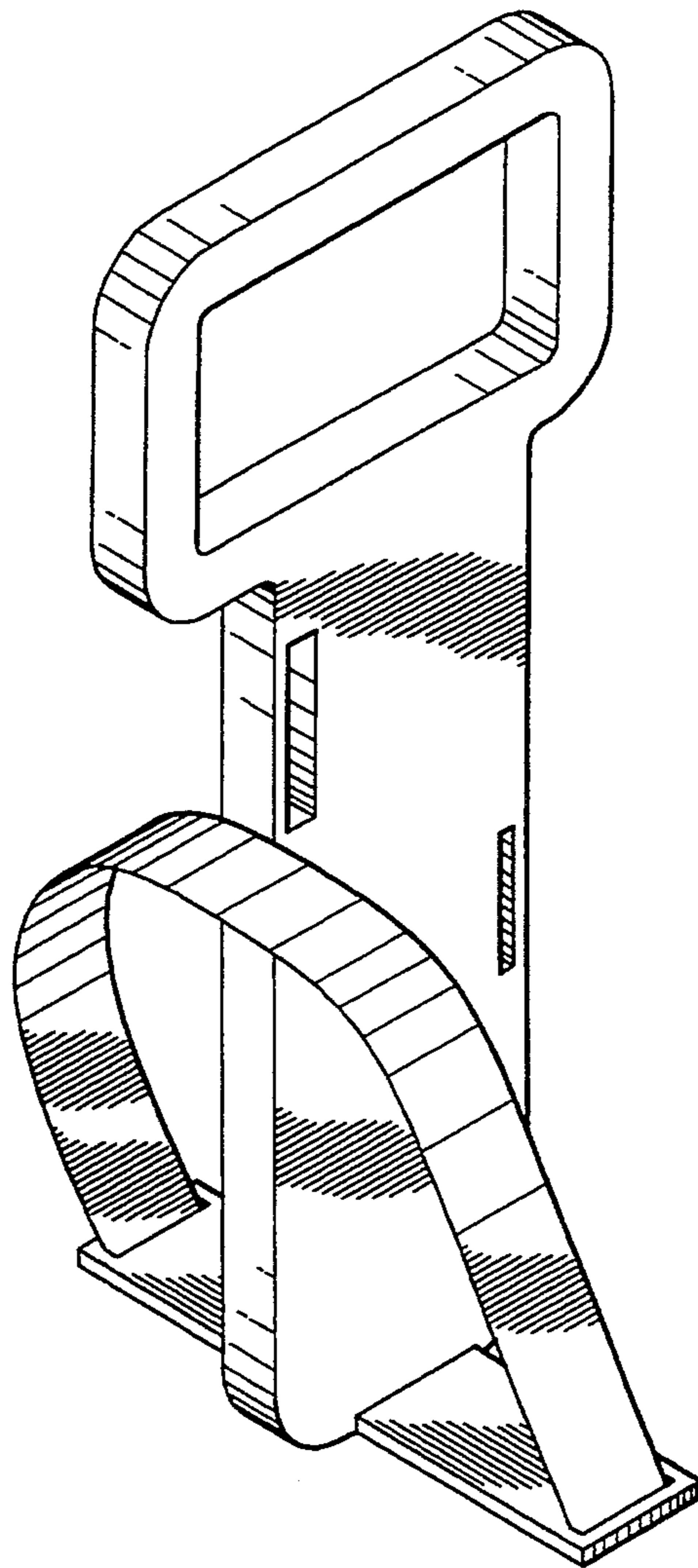


FIG. 1.

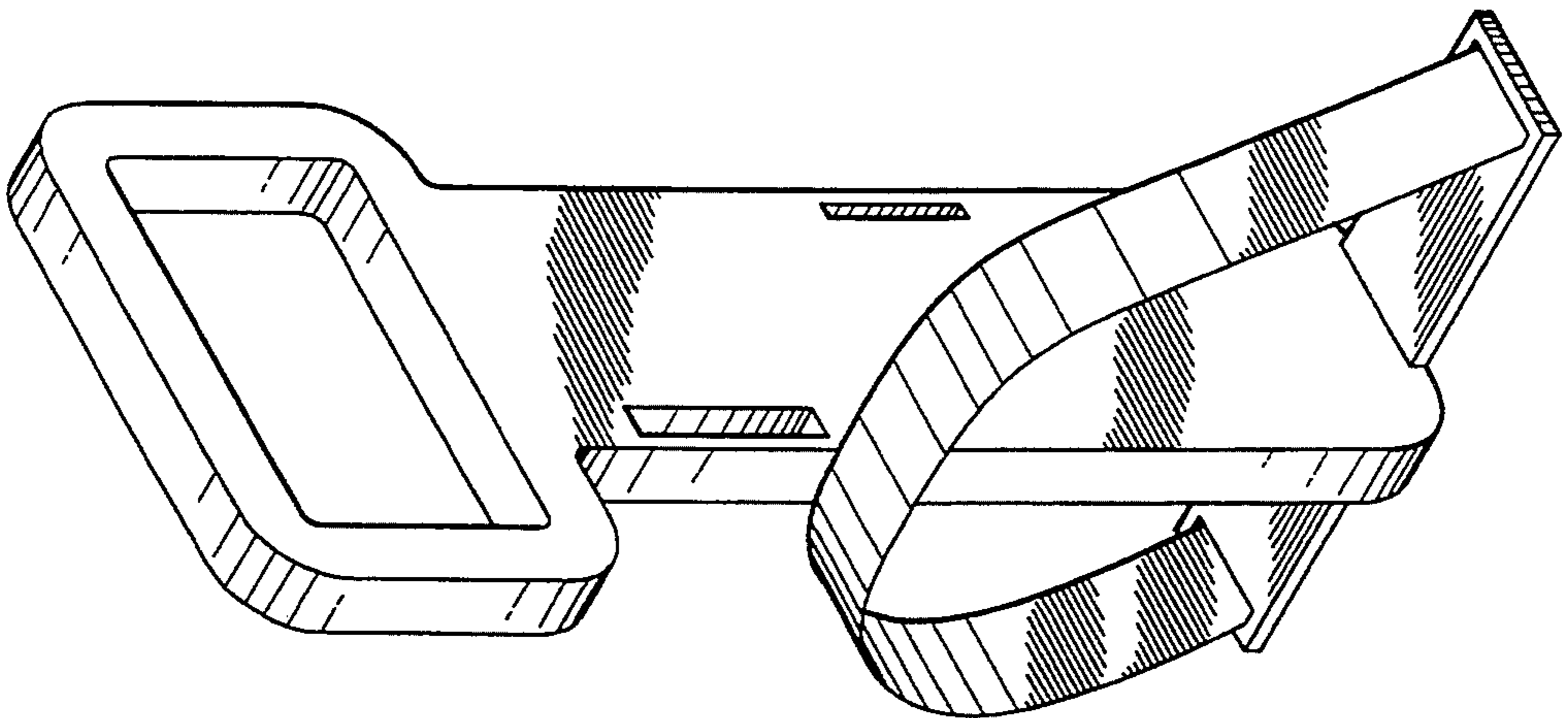


FIG. 2.

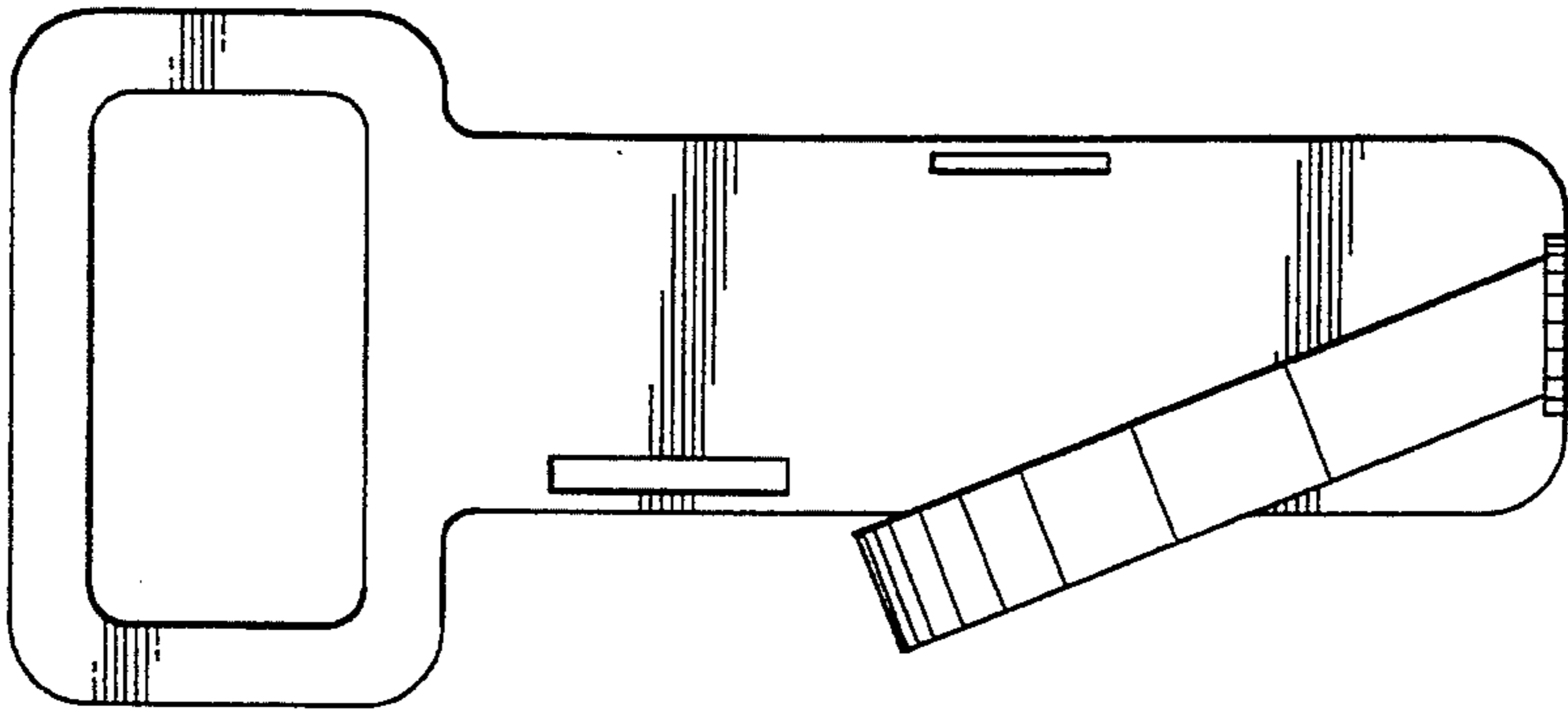


FIG. 3.

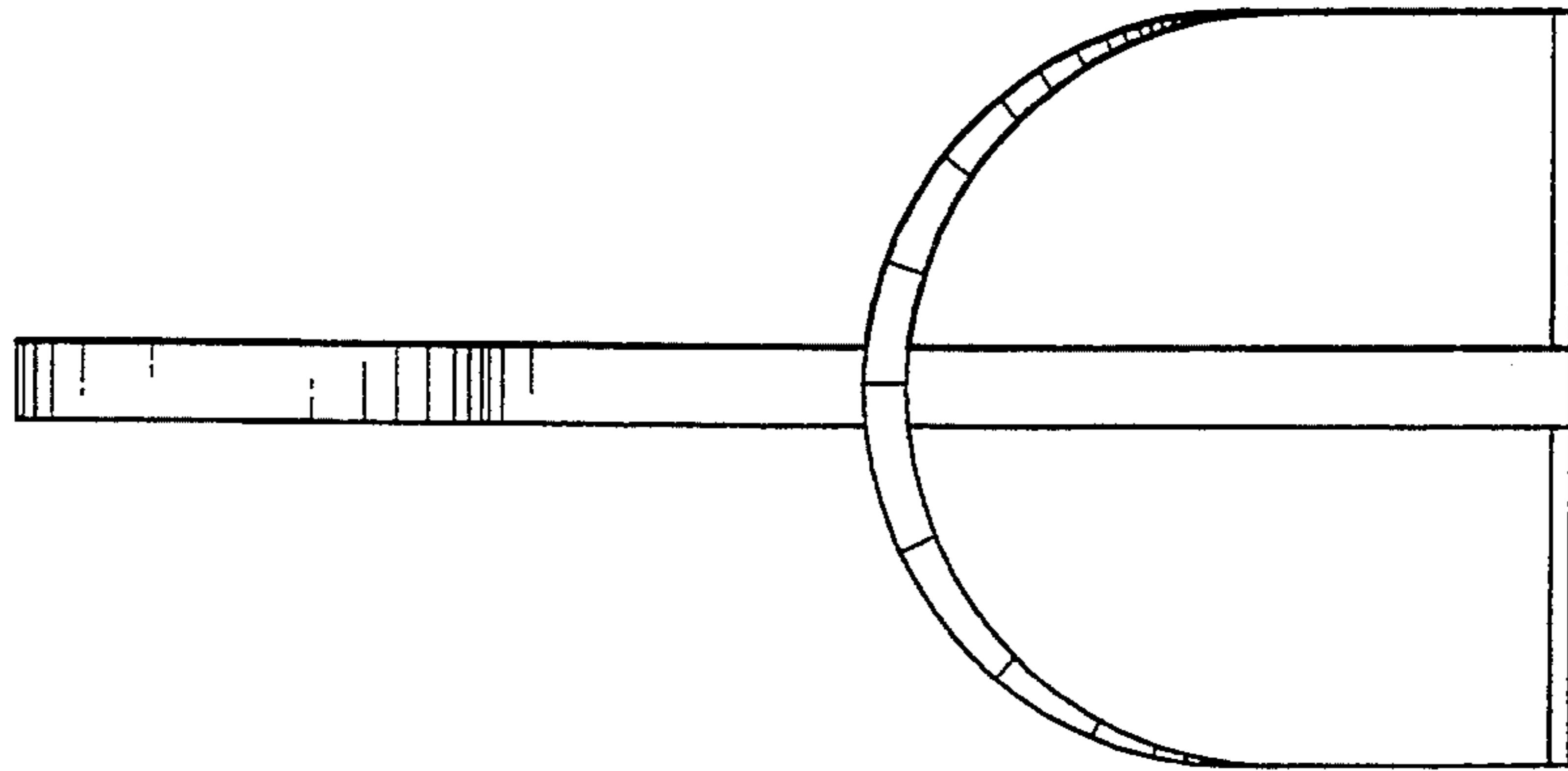


FIG. 4.

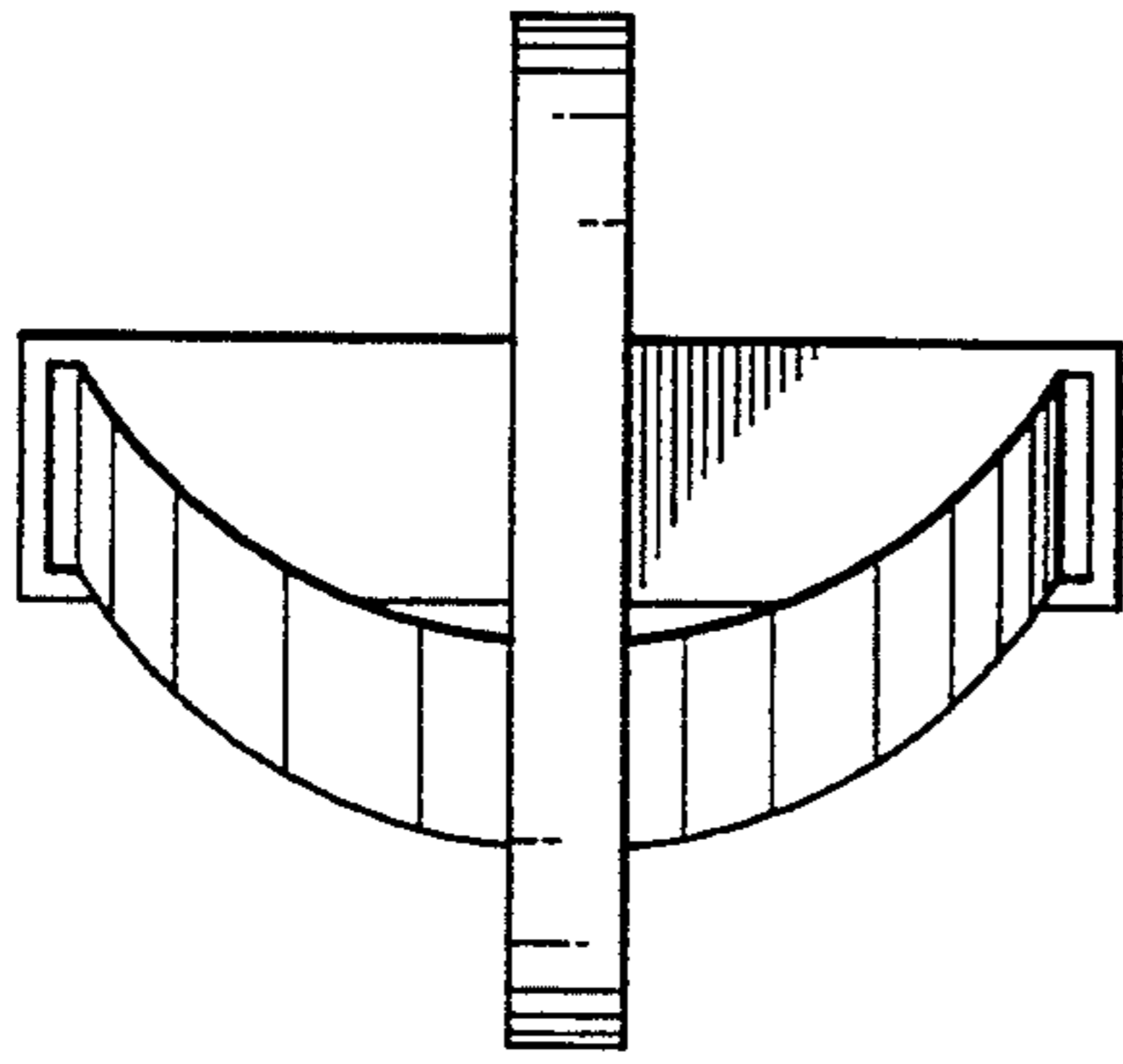


FIG. 5.

