



US00D352173S

# United States Patent [19]

[11] Patent Number: **Des. 352,173**

Tirone et al.

[45] Date of Patent: **\*\* Nov. 8, 1994**

[54] **HOLDER FOR IN-LINE SKATES**

5,269,580 12/1993 Hsiao ..... 294/165 X

[76] Inventors: **Maria A. Tirone**, 291 Winifred Dr., Totowa, N.J. 07512; **Frank V. Mazzarisi**, 267 Third St., Clifton, N.J. 07011; **Angelo G. Tirone**, 291 Winifred Dr., Totowa, N.J. 07512

*Primary Examiner*—A. Hugo Word  
*Assistant Examiner*—Doris V. Coles  
*Attorney, Agent, or Firm*—M. K. Silverman

[\*\*] Term: **14 Years**

[57] **CLAIM**

The ornamental design for a holder for in-line skates, as shown and described.

[21] Appl. No.: **4,615**

**DESCRIPTION**

[22] Filed: **Feb. 9, 1993**

[52] U.S. Cl. .... **D3/317**

[58] Field of Search ..... D3/317, 315, 261;  
294/163, 165, 162, 147

FIG. 1 is a perspective view of the ornamental holder design;

FIG. 2 is a top view thereof;

FIG. 3 is a bottom view of the ornamental holder for in-line skates;

FIG. 4 is a left side view thereof;

FIG. 5 is a right side view thereof; and,

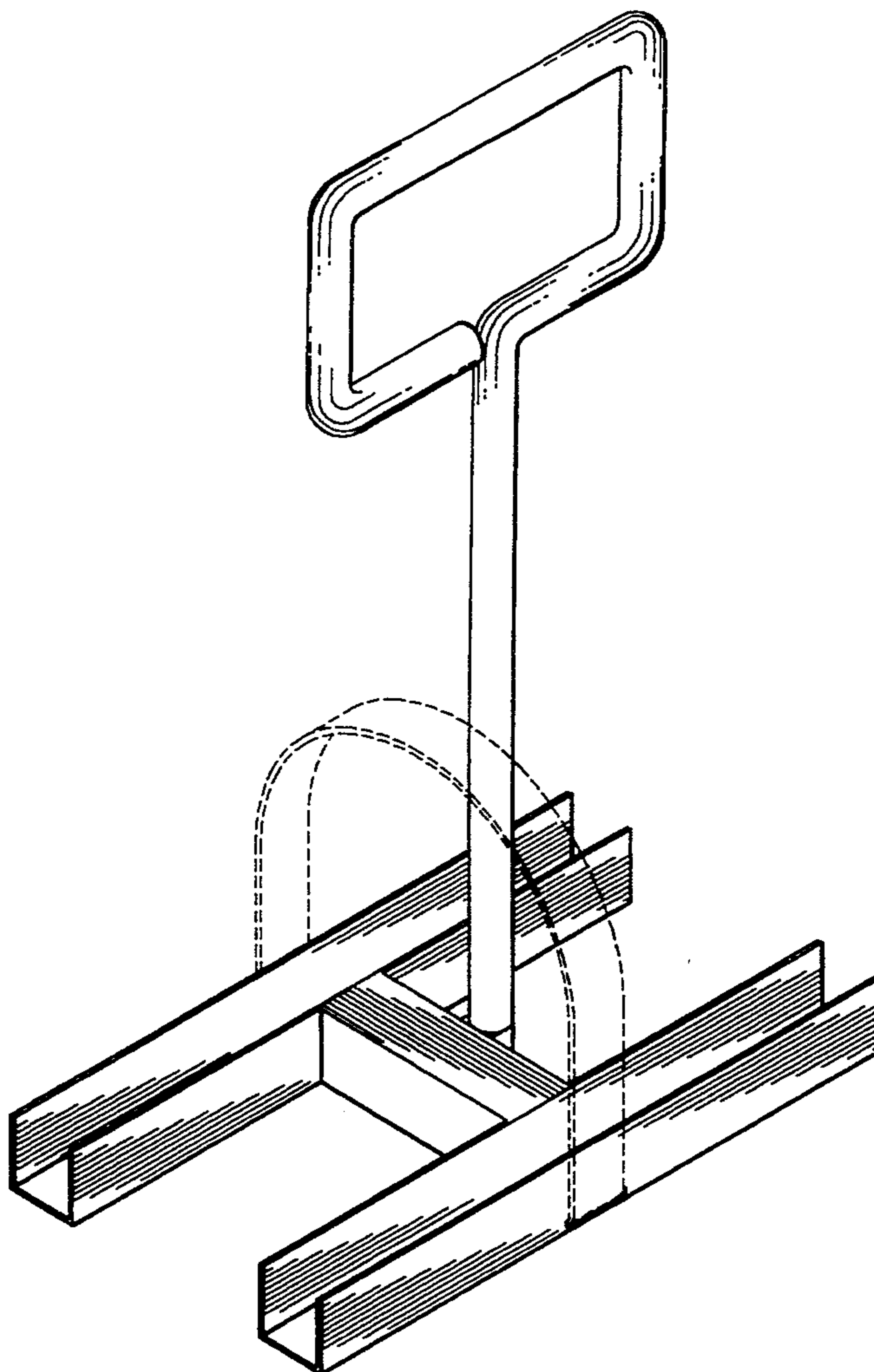
FIG. 6 is a front view thereof of which a rear view is a mirror image thereof.

The broken line showing of a strap in FIGS. 1, 2, 4-6 is for illustrative purposes only and forms no part of the claimed design.

[56] **References Cited**

**U.S. PATENT DOCUMENTS**

D. 256,521	8/1980	Bishop	.....	D3/317
3,074,085	1/1963	Salzman	.....	294/165 X
4,277,006	7/1981	Pinckard	.....	294/162 X
4,363,514	12/1982	Buffum	.....	D3/317 X



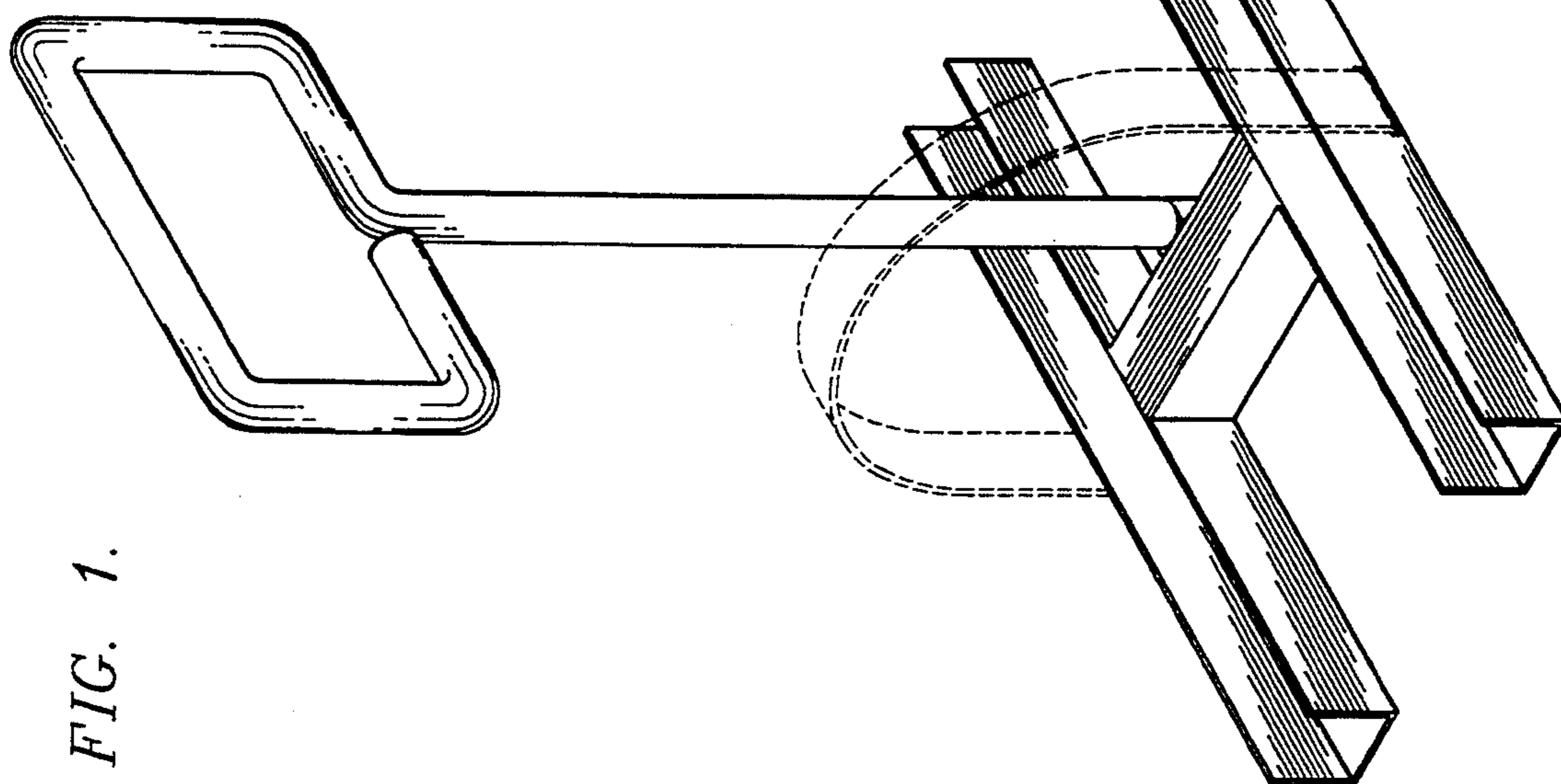


FIG. 2.

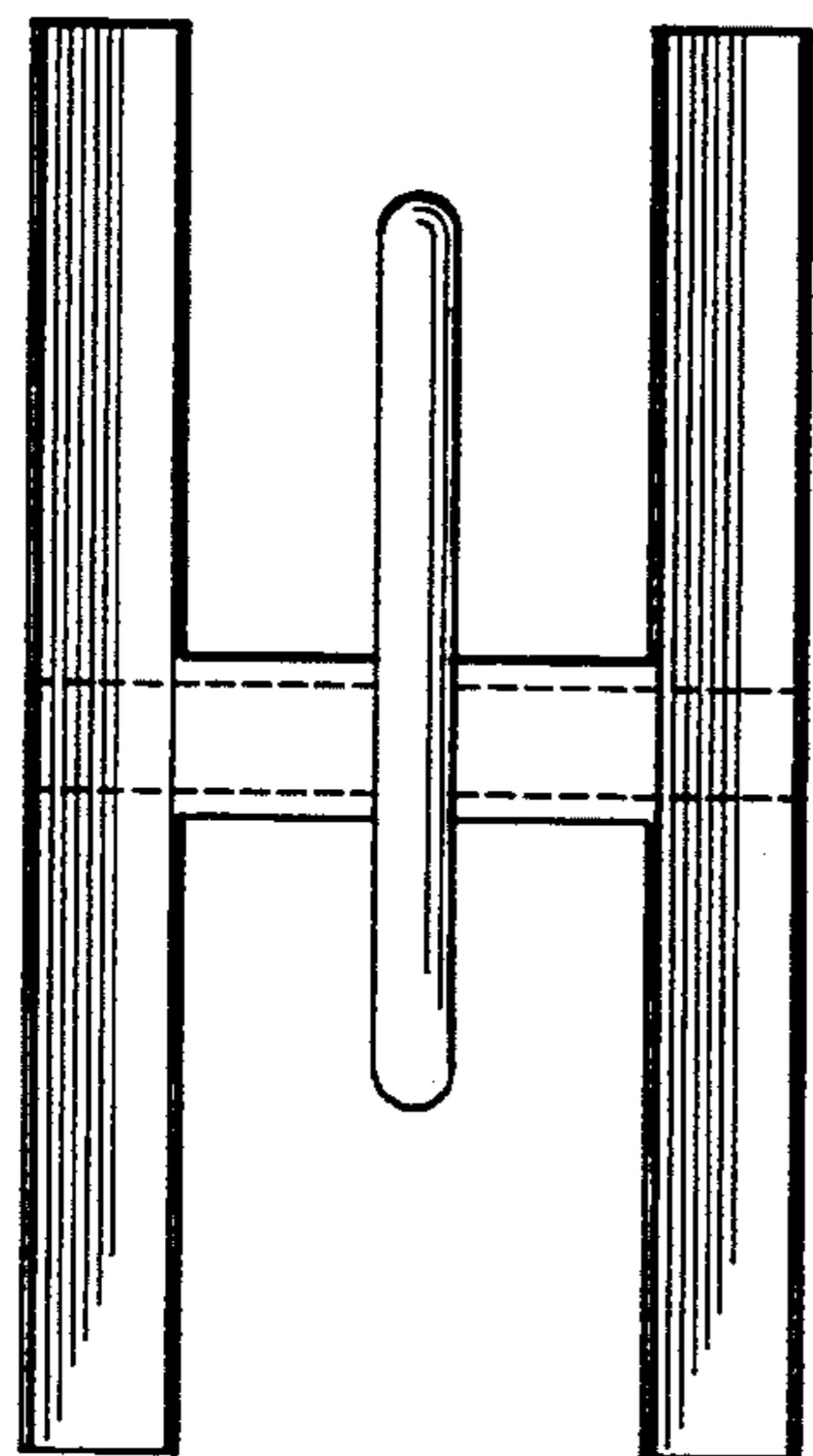


FIG. 3.

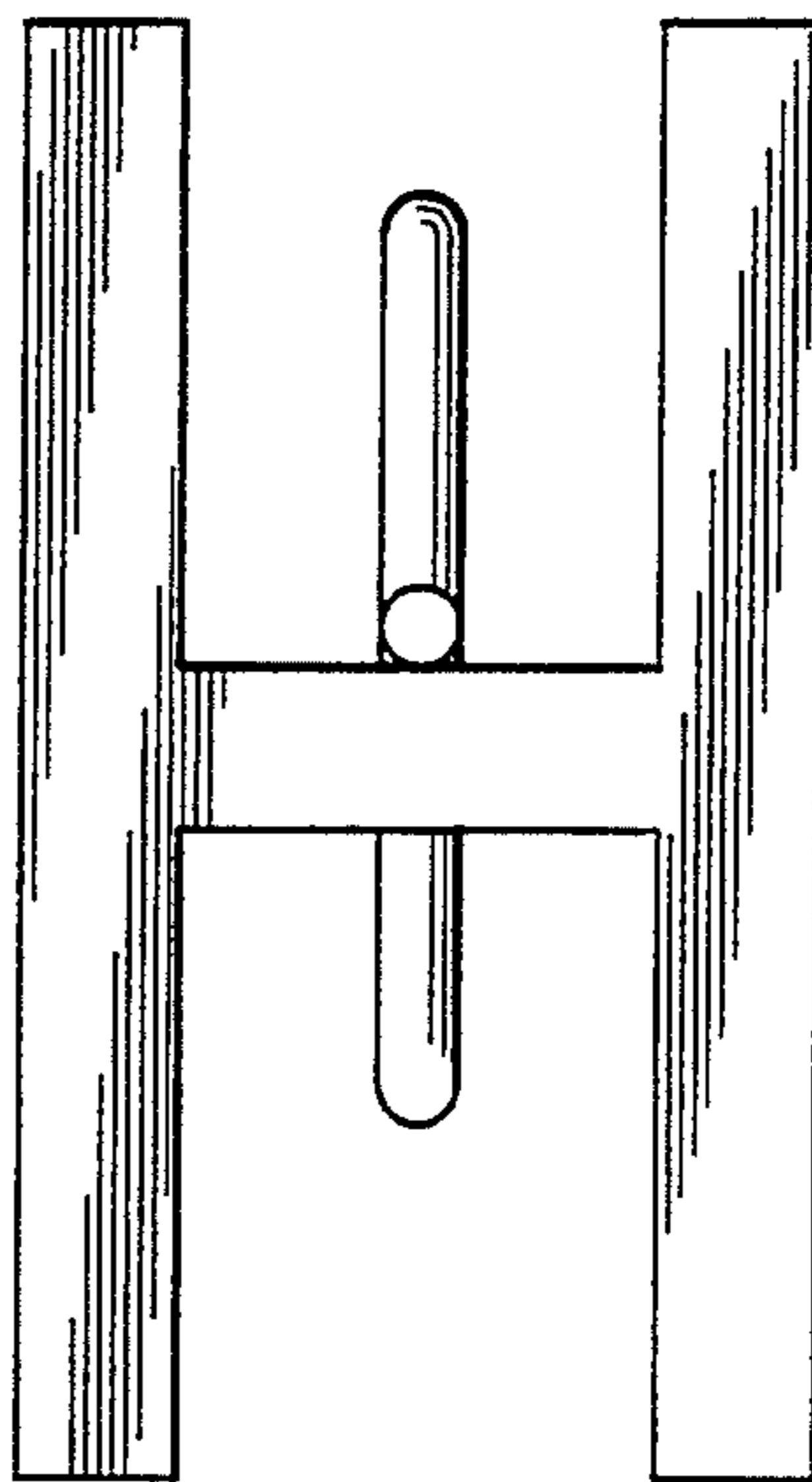


FIG. 6.

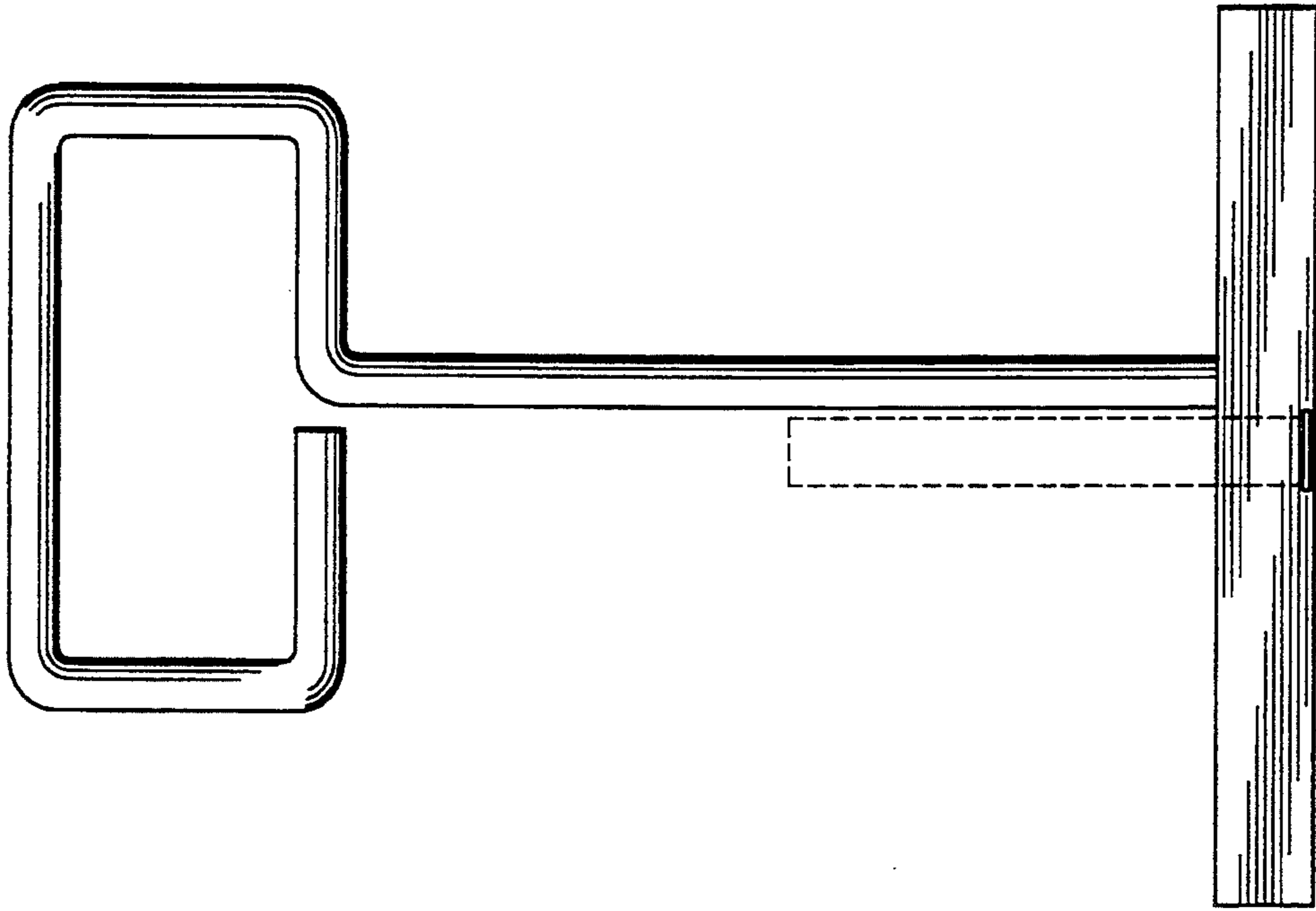


FIG. 5.

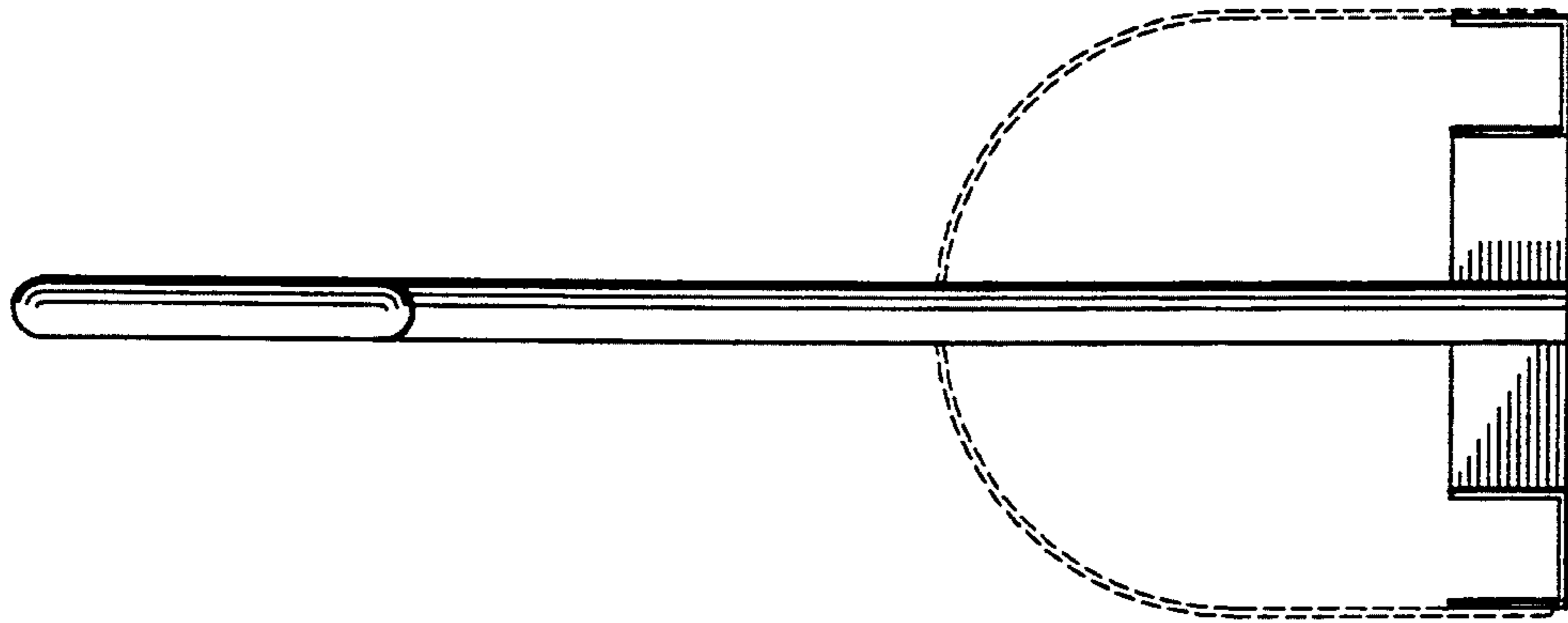


FIG. 4.

