



US00D352165S

United States Patent [19]

[11] Patent Number: **Des. 352,165**

Covertson

[45] Date of Patent: **** Nov. 8, 1994**

[54] **COMBINED VEST AND BACK PACK**

[76] Inventor: **Mason L. Covertson**, 1258 High St., Auburn, Calif. 95603

[**] Term: **14 Years**

[21] Appl. No.: **2,410**

[22] Filed: **Dec. 11, 1992**

[52] U.S. Cl. **D3/217; D30/134; 224/215; 2/94; 2/102; D2/830**

[58] Field of Search **54/44.1, 66; 224/260, 224/266, 905, 209, 215-216; D3/32, 36, 48, 76, 79, 216-217, 231; 2/94, 102; D2/829-830; D30/134-135, 144-145, 152; D29/11**

[56] **References Cited**

U.S. PATENT DOCUMENTS

D. 254,343	3/1980	Babcock	D3/231
D. 269,136	5/1983	Pressentin	D2/829
D. 269,561	7/1983	Scott	D3/217
D. 280,260	8/1985	Leiserson	D3/267
D. 291,262	8/1987	Colby	D3/230
D. 292,847	11/1987	Barker	D3/231
D. 298,370	11/1988	Westerbeek	D30/135
D. 298,477	11/1988	Spivey	D30/135
D. 302,073	7/1989	Biggs	224/266
D. 311,093	10/1990	Hoffman	D3/231
D. 312,726	12/1990	Kline	D3/224
D. 313,677	1/1991	Hammon et al.	D30/152
D. 316,172	4/1991	Hanson	D2/829
D. 316,177	4/1991	Strimpfel	D3/217
D. 339,912	10/1993	Delauter	D3/217
D. 340,134	10/1993	Pollack	D3/217
2,717,391	9/1955	Bracken	D2/830
3,529,307	9/1970	Belson et al.	2/94
4,561,576	12/1985	Lowe et al.	224/209
4,669,127	6/1987	Swanson	2/102
4,879,865	11/1989	Van Scoyk	54/66
4,940,173	7/1990	Jacober	224/209
5,014,359	5/1991	Hanson	2/94

5,211,321	5/1993	Rodriguez	224/215
5,222,642	6/1993	Solarz	224/209
5,247,707	9/1993	Parker et al.	2/94
5,265,782	11/1993	McNamara	224/209

FOREIGN PATENT DOCUMENTS

834457	8/1938	France	224/209
840399	1/1939	France	224/905
2669518	5/1992	France	224/215
300904	9/1917	Germany	54/44.1
239863	2/1946	Switzerland	224/209

OTHER PUBLICATIONS

Sporting Dog Specialties, Inc. Catalog; p. 33; Wenaha Dog Pack; (Pet Catalogs Box 1).
 Pedigrees the pet catalog; p. 17; item H38-0020-Dog Back Pack; (Pet Catalogs Box 1).
 Jabez Cliff & Co. Ltd.; English Riding Saddlery Catalog; 1927; p. 9; Saddle bag; (Horse Catalogs Box 1).
 Potts Longhorn Leather Saddlery Catalog; 1980; p. 45; Cante and Saddle Bags bottom page; (Horse Cat. Box 1).
 Gayers Inc. Catalog; p. 4 of insert; Saddle Bags; (Horse Catalogs Box 1).

Primary Examiner—Cathy Anne MacCormac
Attorney, Agent, or Firm—Hugh E. Smith

[57] **CLAIM**

The ornamental design for a combined vest and back pack, as shown and described.

DESCRIPTION

FIG. 1 is a front elevational view of the combined vest and back pack showing my new design;
 FIG. 2 is a rear elevational view thereof, the dashed lines represent stitching;
 FIG. 3 is a left side elevational view thereof;
 FIG. 4 is a right side elevational view thereof;
 FIG. 5 is a top plan view thereof; and,
 FIG. 6 is a bottom plan view thereof.

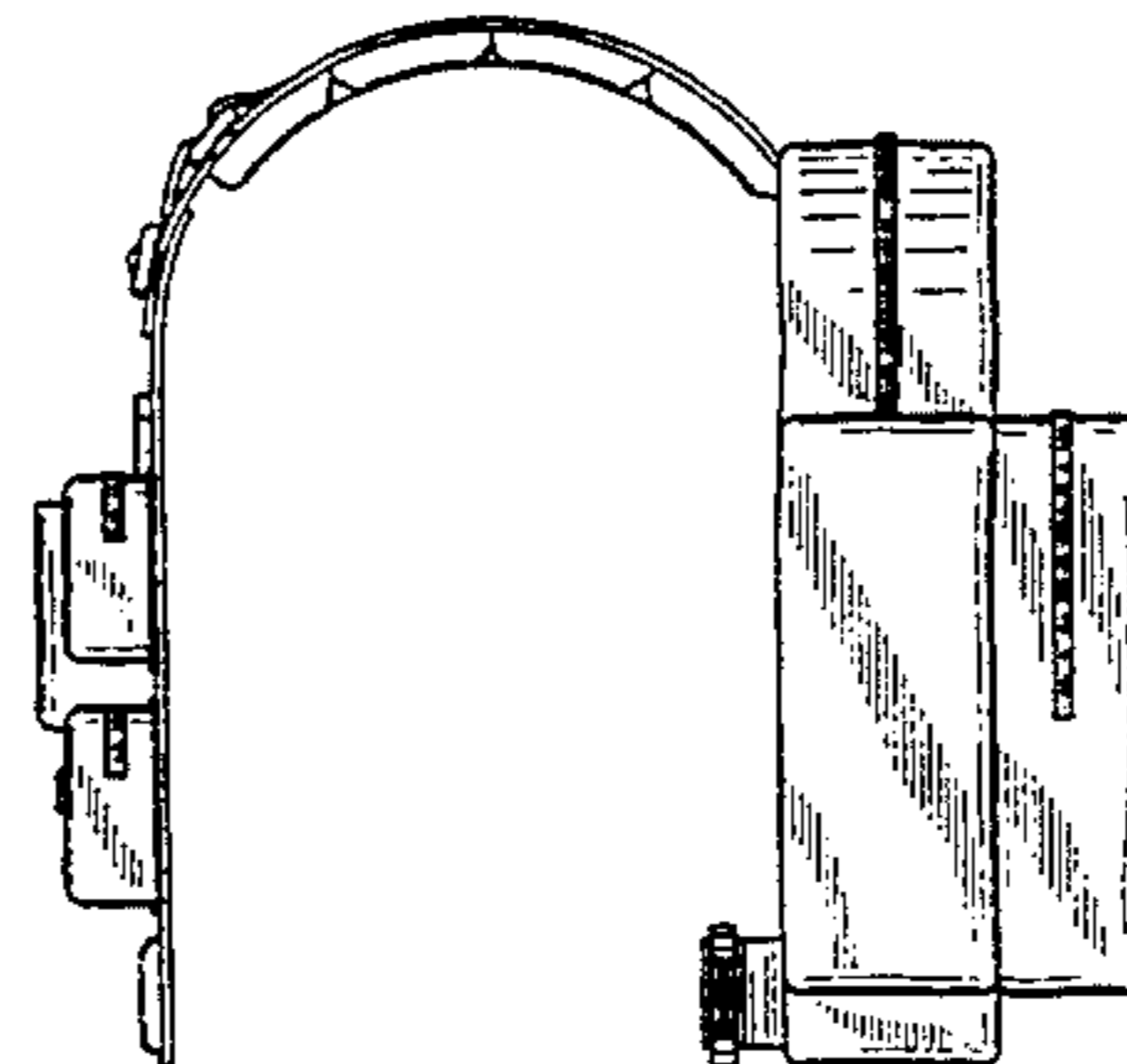
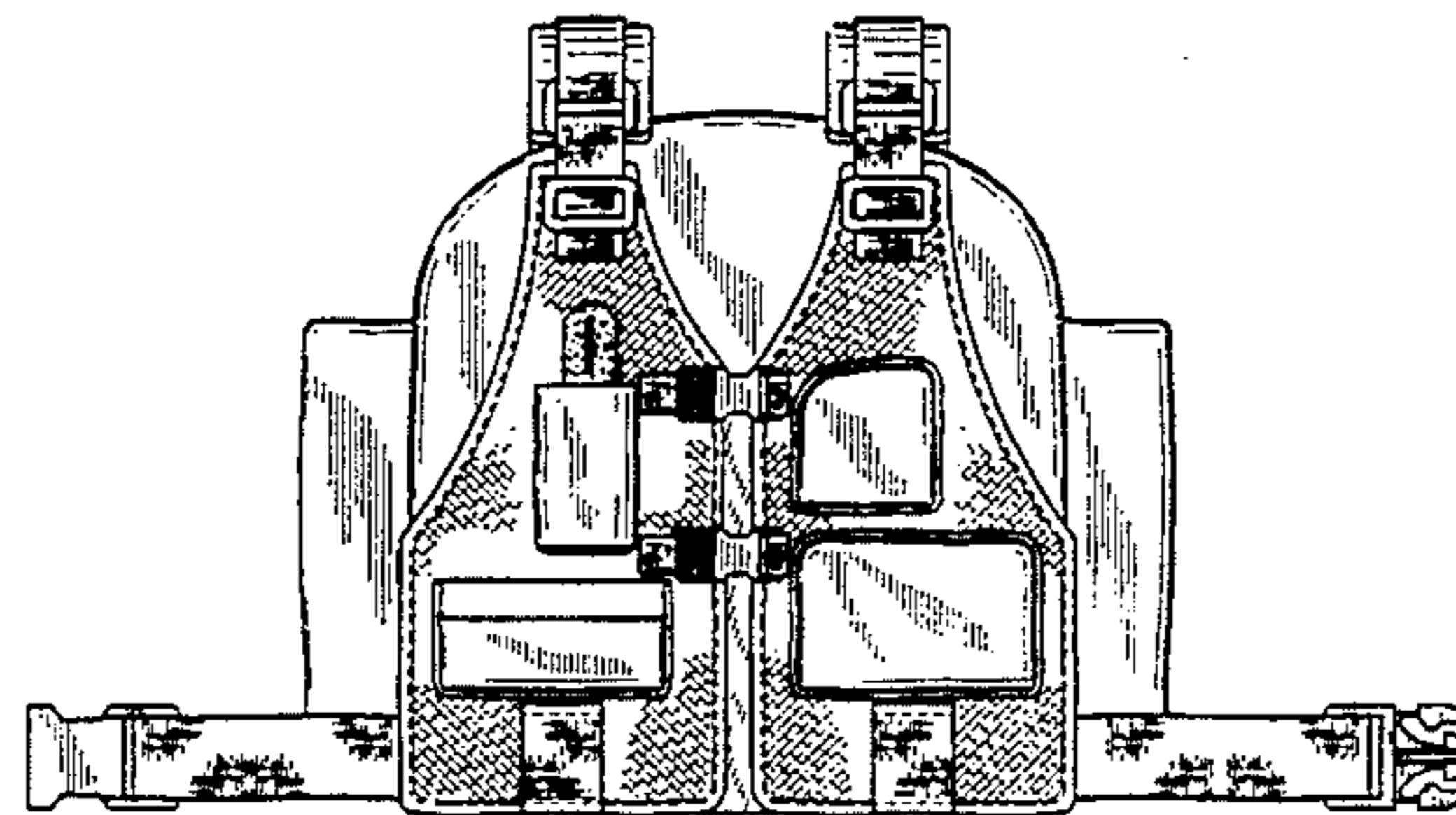


FIG. 1

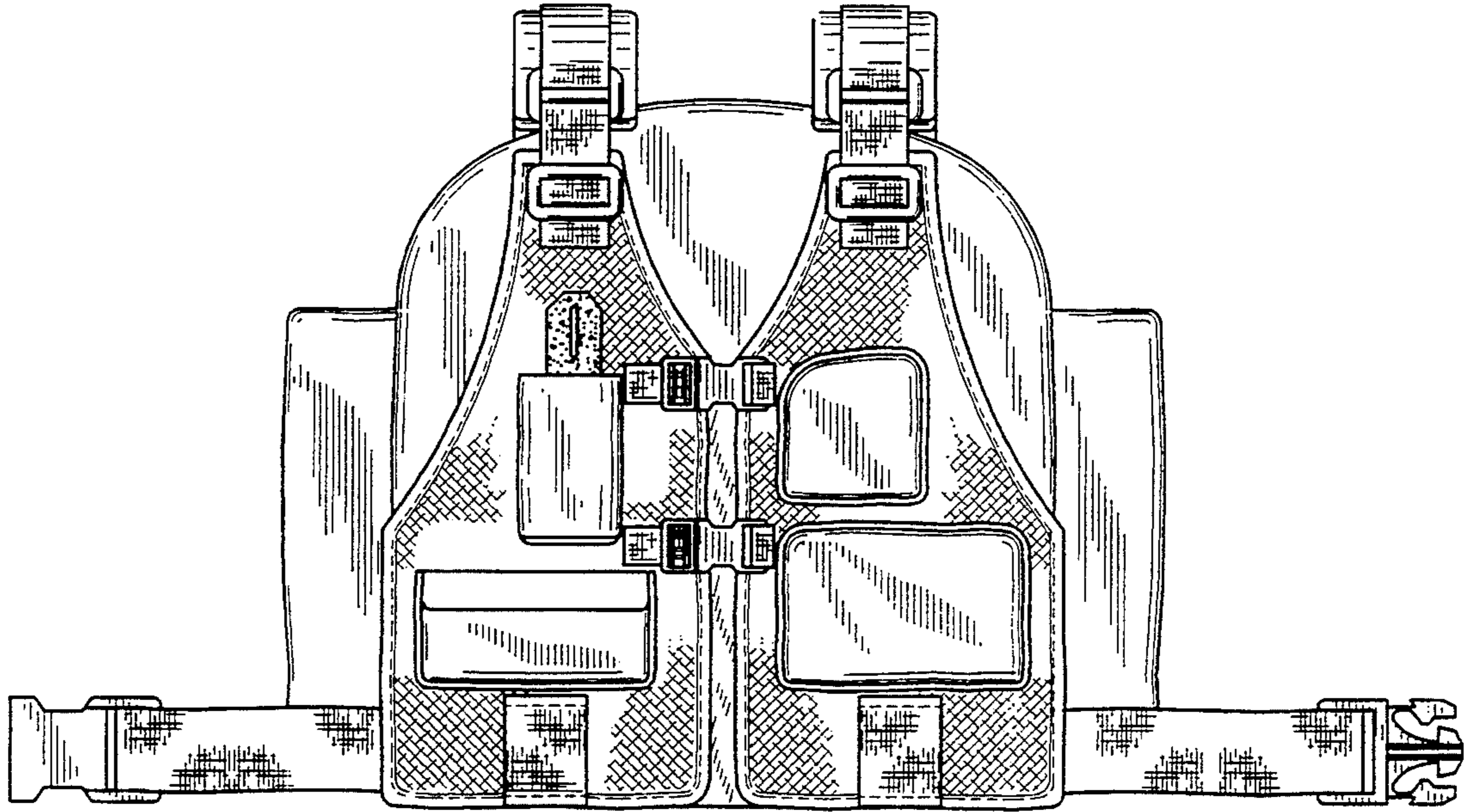


FIG. 2

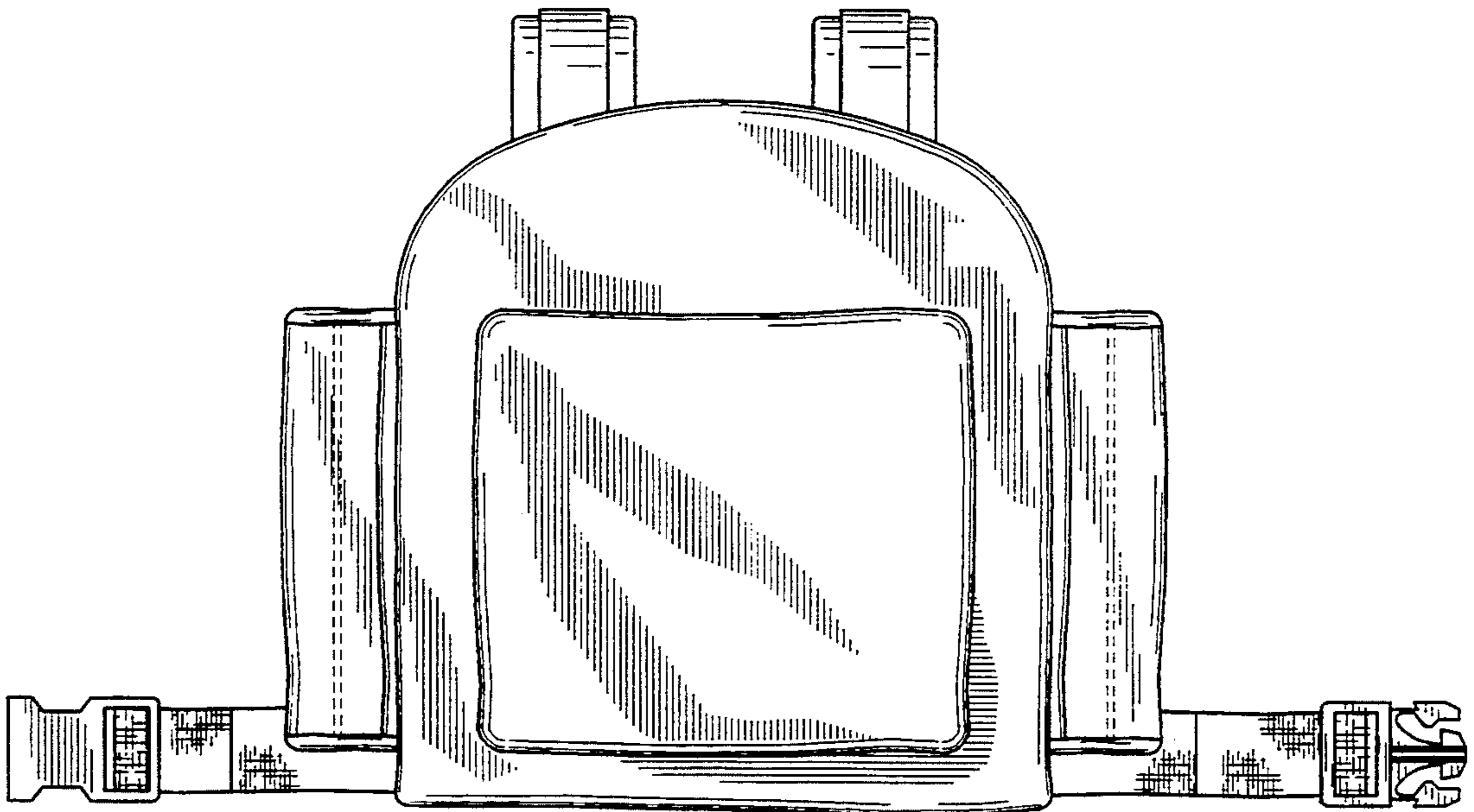


FIG. 3

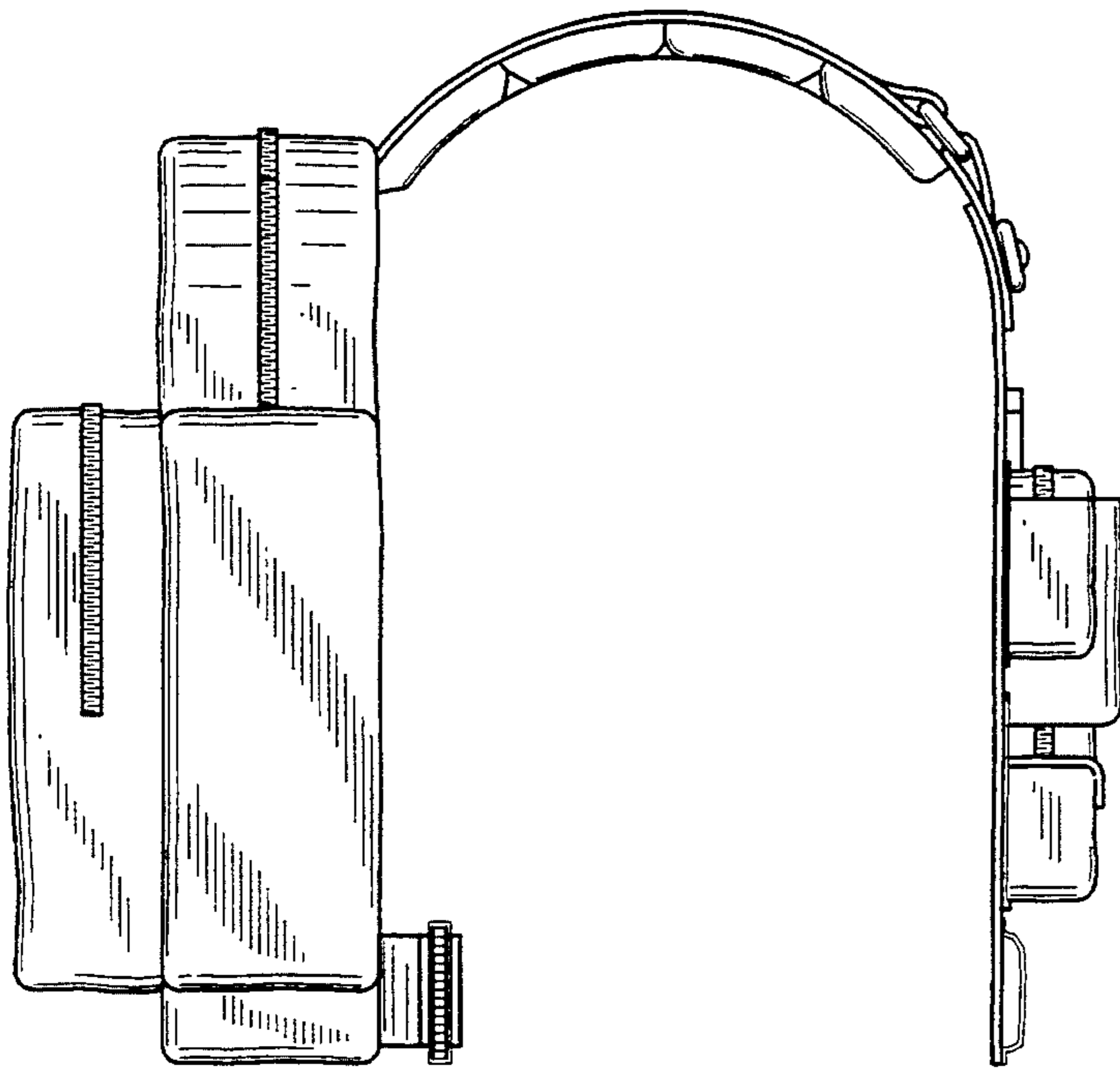


FIG. 4

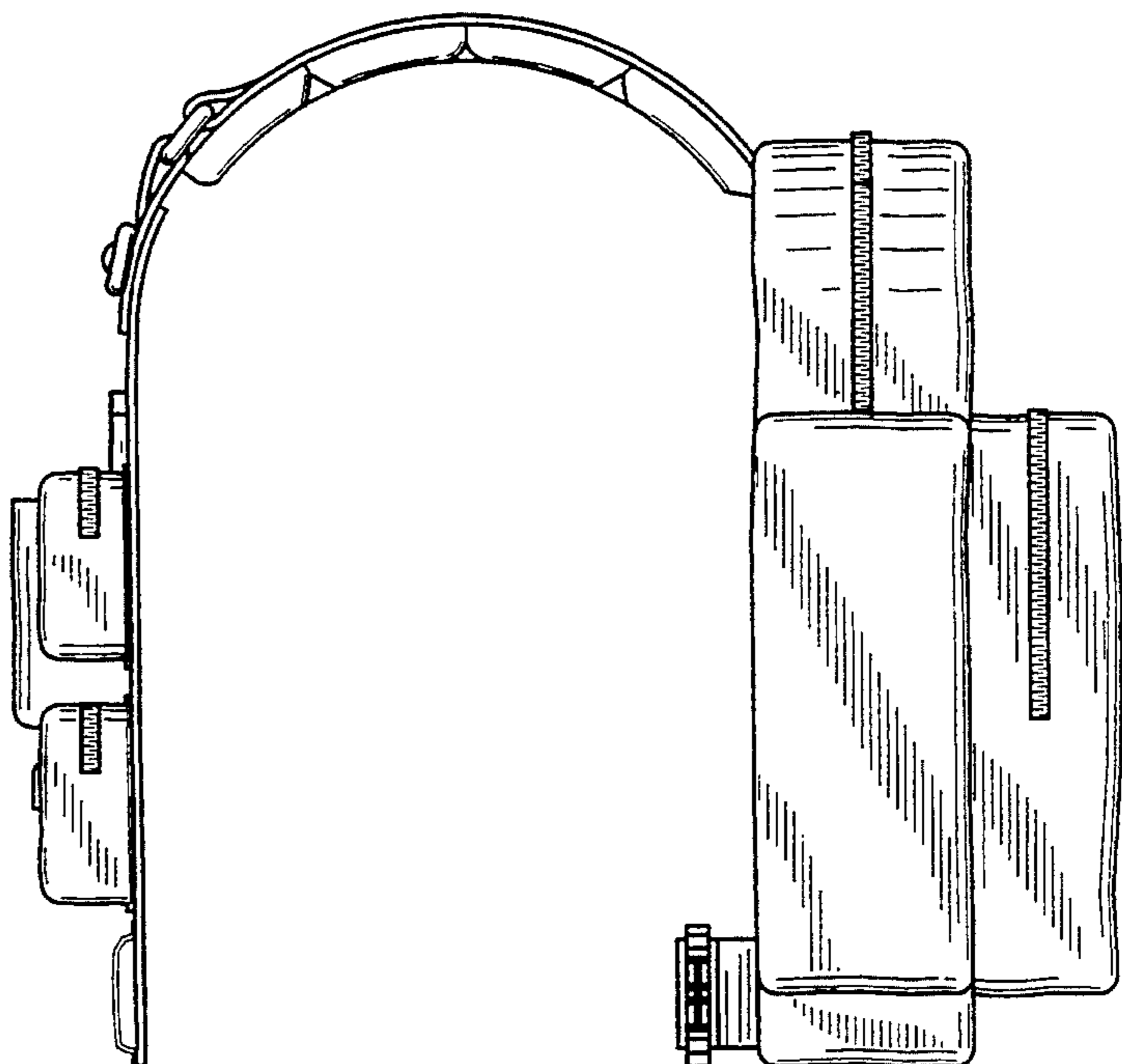


FIG. 5

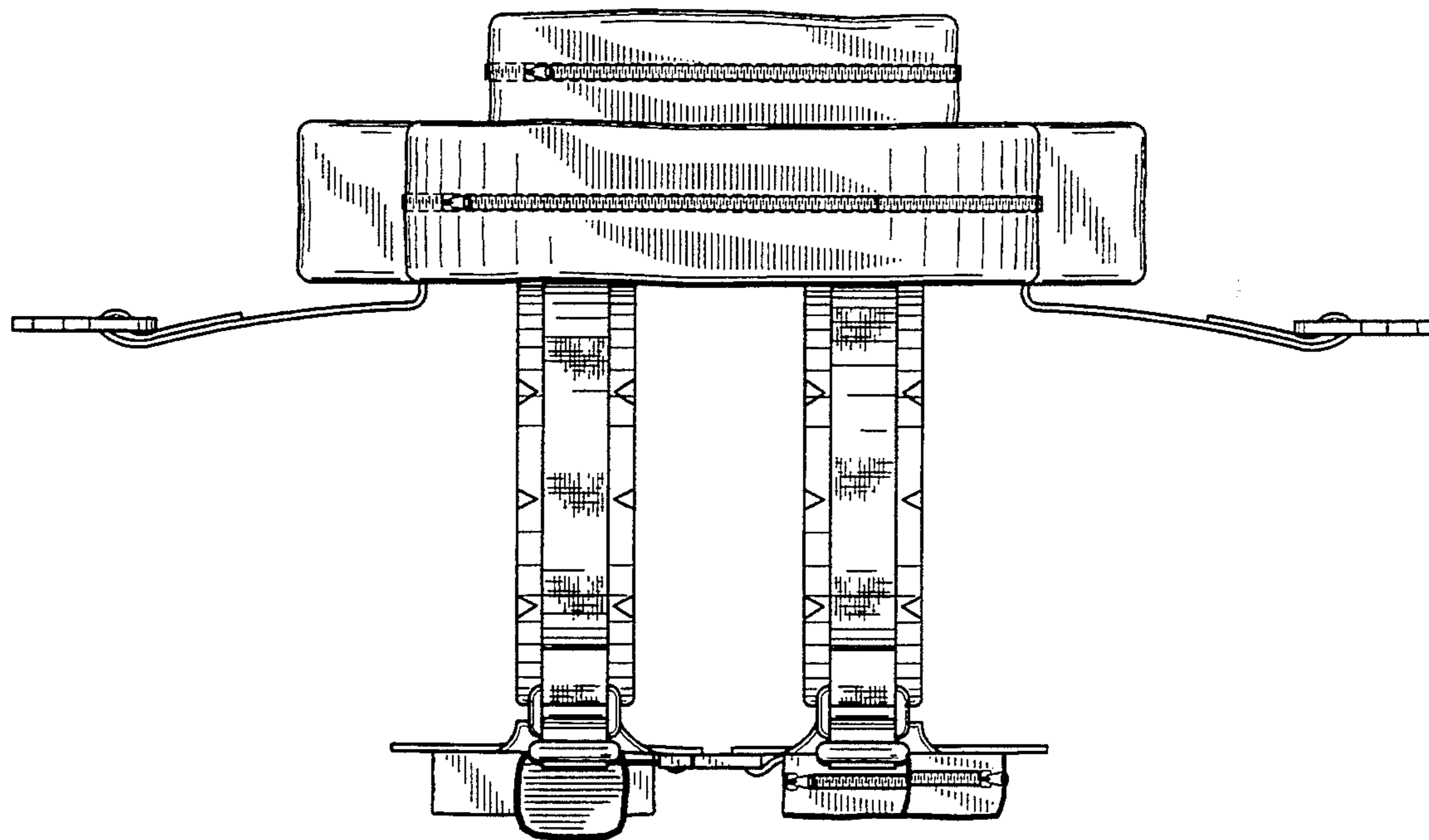


FIG. 6

