



US00D352149S

United States Patent [19]

[11] Patent Number: **Des. 352,149**

Nelson et al.

[45] Date of Patent: **** Nov. 1, 1994**

[54] **PORTABLE HOSE REEL CADDY**

[75] Inventors: **Terry N. Nelson, Shoreview; Will Stageberg, Minneapolis, both of Minn.**

[73] Assignee: **The Specialty Mfg. Co., St. Paul, Minn.**

[**] Term: **14 Years**

[21] Appl. No.: **8,608**

[22] Filed: **May 20, 1993**

[52] U.S. Cl. **D34/26; D34/24; D8/359**

[58] Field of Search **D8/358-359; 242/86, 86.2; 137/355.26-355.27; D34/24, 26**

[56] **References Cited**

U.S. PATENT DOCUMENTS

D. 294,456	3/1988	Nelson	D8/359
D. 303,446	9/1989	Kitts et al. .	
D. 317,113	5/1991	Fowler .	
D. 323,228	1/1992	Spear et al. .	
D. 326,549	5/1992	Whitehead	D34/26
D. 328,173	7/1992	Nelson .	
4,512,361	4/1985	Tisbo et al. .	
4,768,546	9/1988	Brusadin et al. .	

4,913,580	4/1990	Whitehead	137/355.27 X
4,974,627	12/1990	Nelson .	
5,007,598	4/1991	Spear et al. .	
5,046,520	9/1991	Sanchez, Jr. et al.	137/355.27
5,056,553	10/1991	Whitehead et al.	242/86 X

OTHER PUBLICATIONS

Suncrest Catalog, 1987, no page number, hose reel caddy in center of page.

Primary Examiner—Wallace R. Burke
Assistant Examiner—H. Baynham
Attorney, Agent, or Firm—Patterson & Keough

[57] **CLAIM**

The ornamental design for a portable hose reel caddy, as shown.

DESCRIPTION

FIG. 1 is a front perspective view of a portable hose reel caddy showing our new design; FIG. 2 is a top plan view thereof; FIG. 3 is a bottom plan view thereof; FIG. 4 is a right side elevational view thereof; FIG. 5 is a left side elevational view thereof; FIG. 6 is a front elevational view thereof; and, FIG. 7 is a rear elevational view thereof. The hose shown in FIG. 4 is shown broken away for ease of illustration.

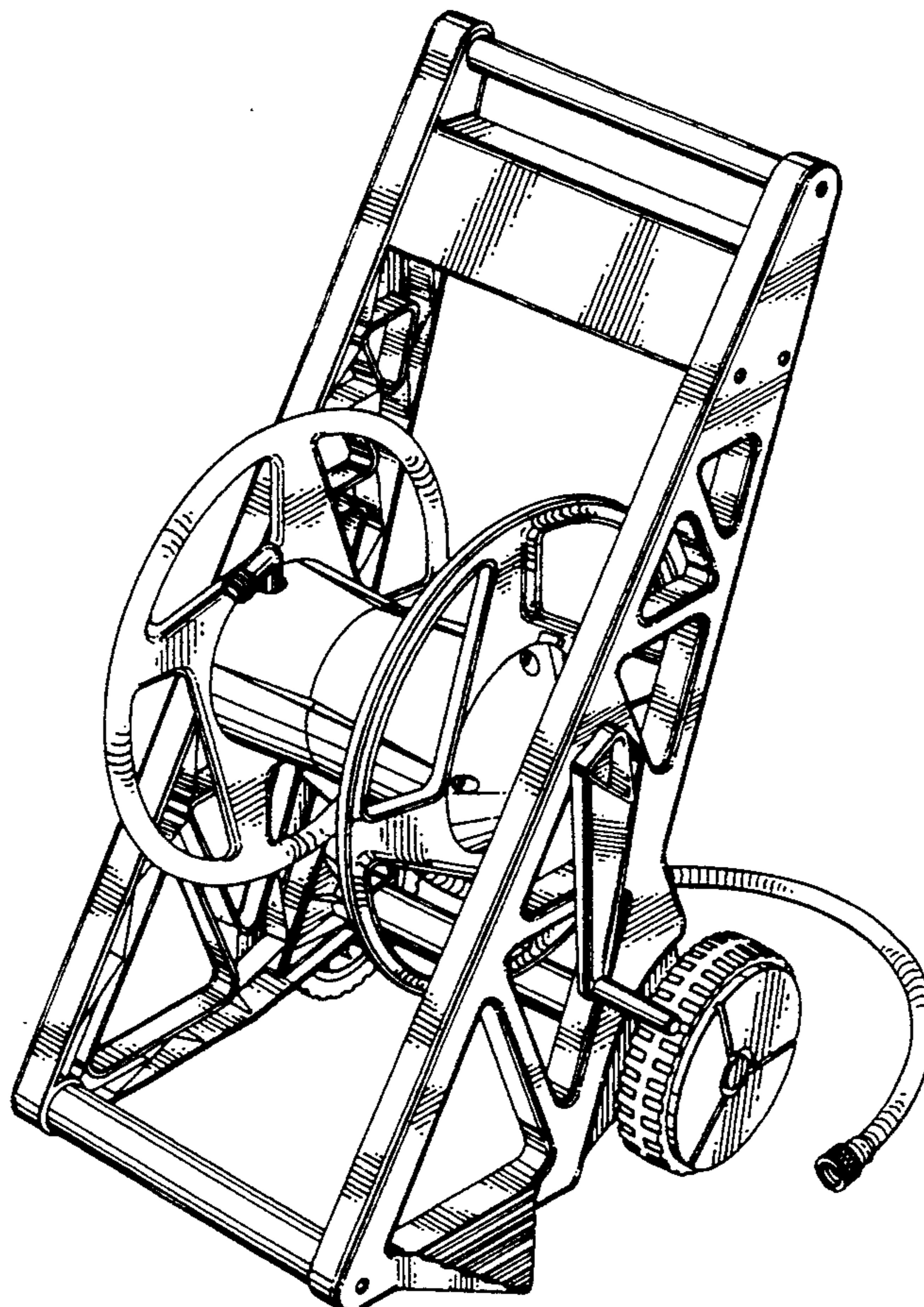


Fig. 1

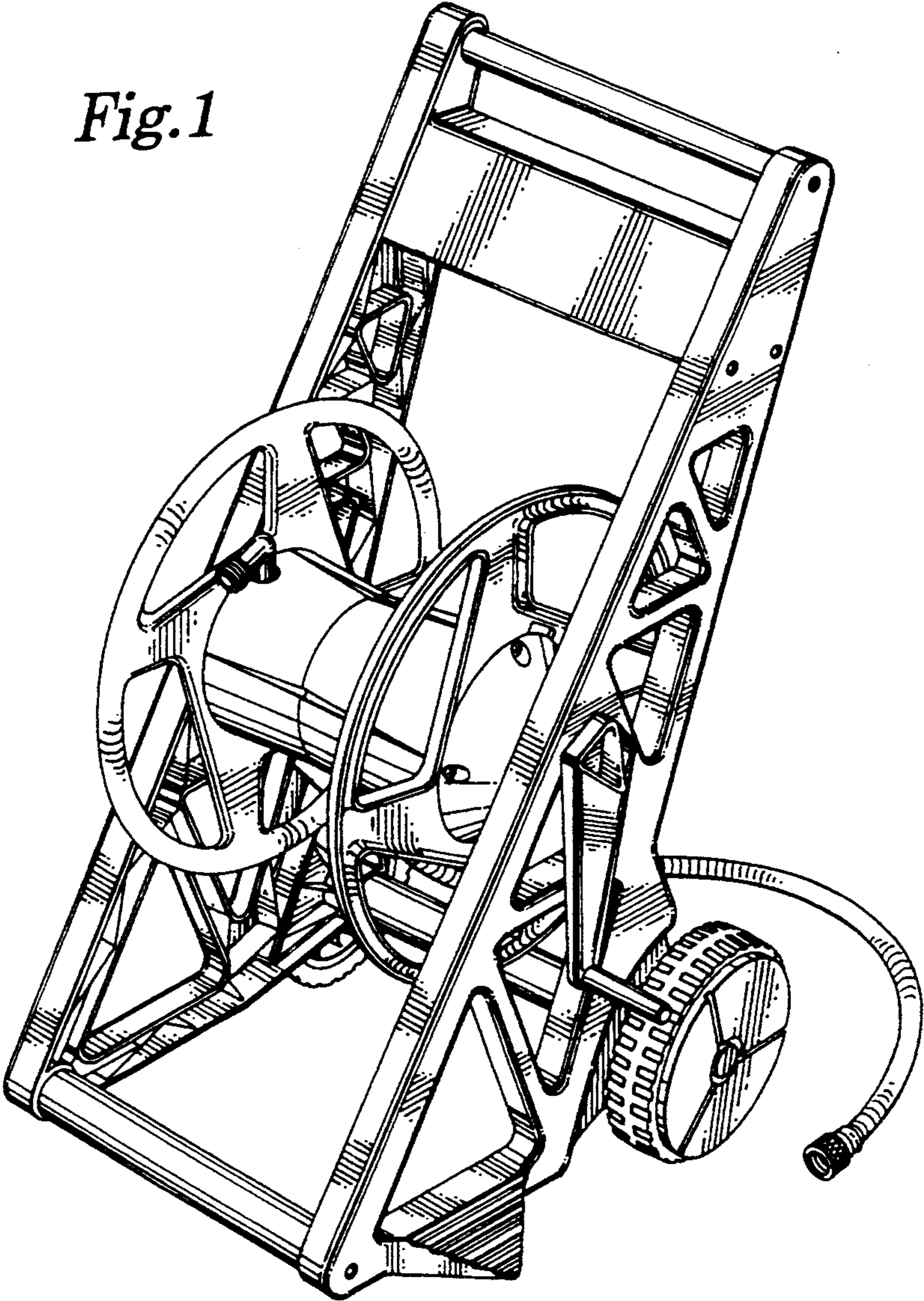


Fig.2

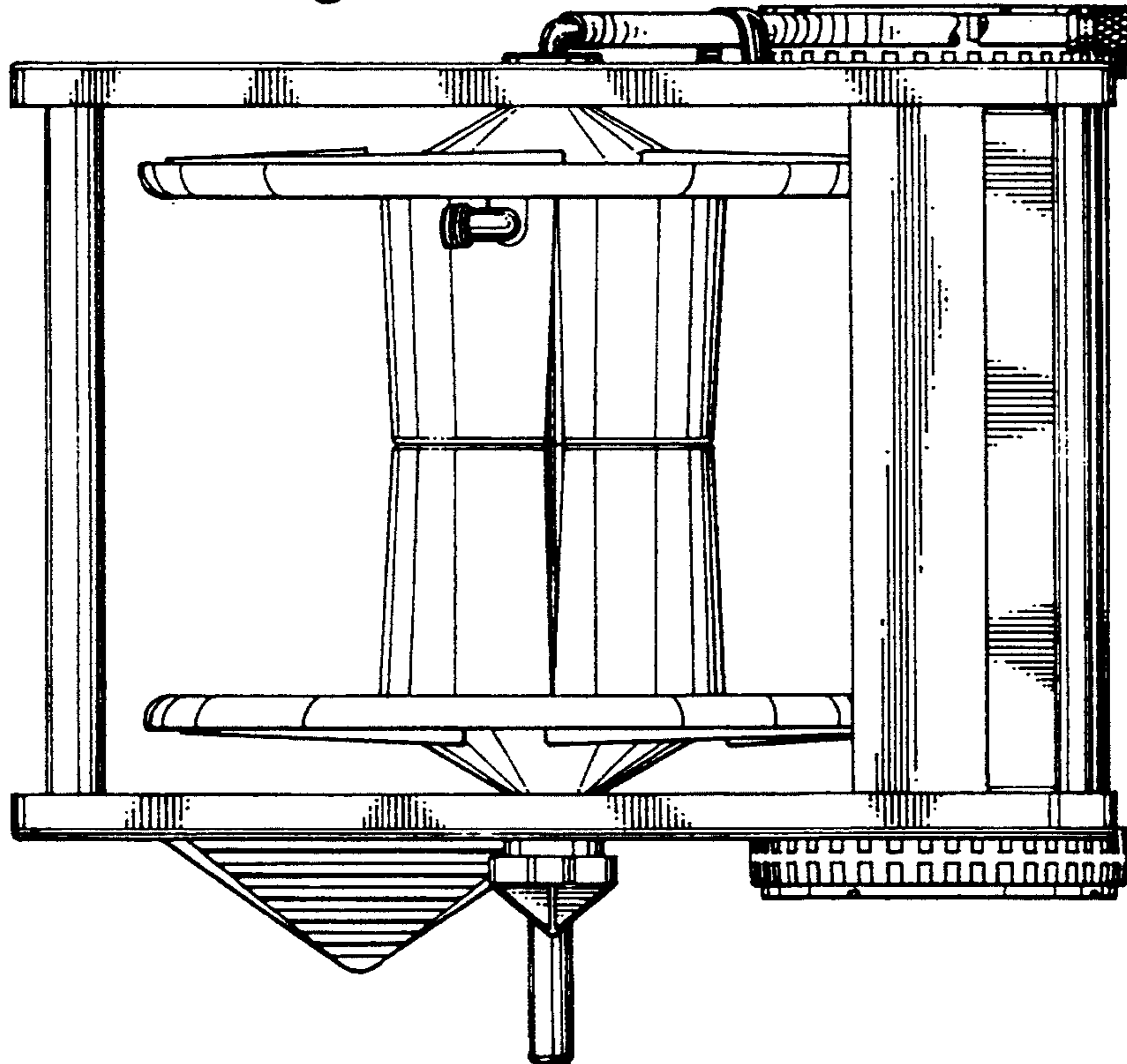
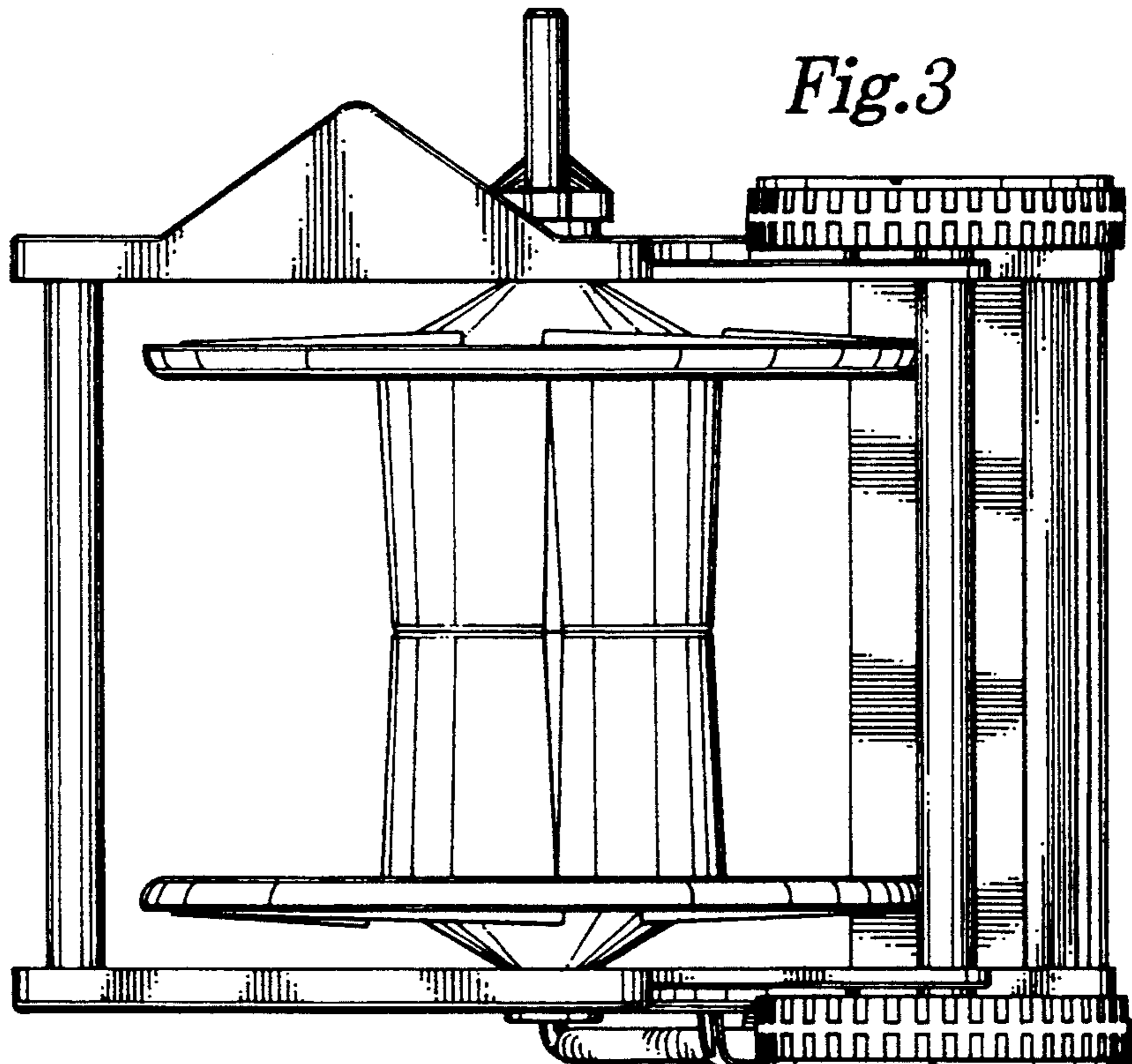


Fig.3



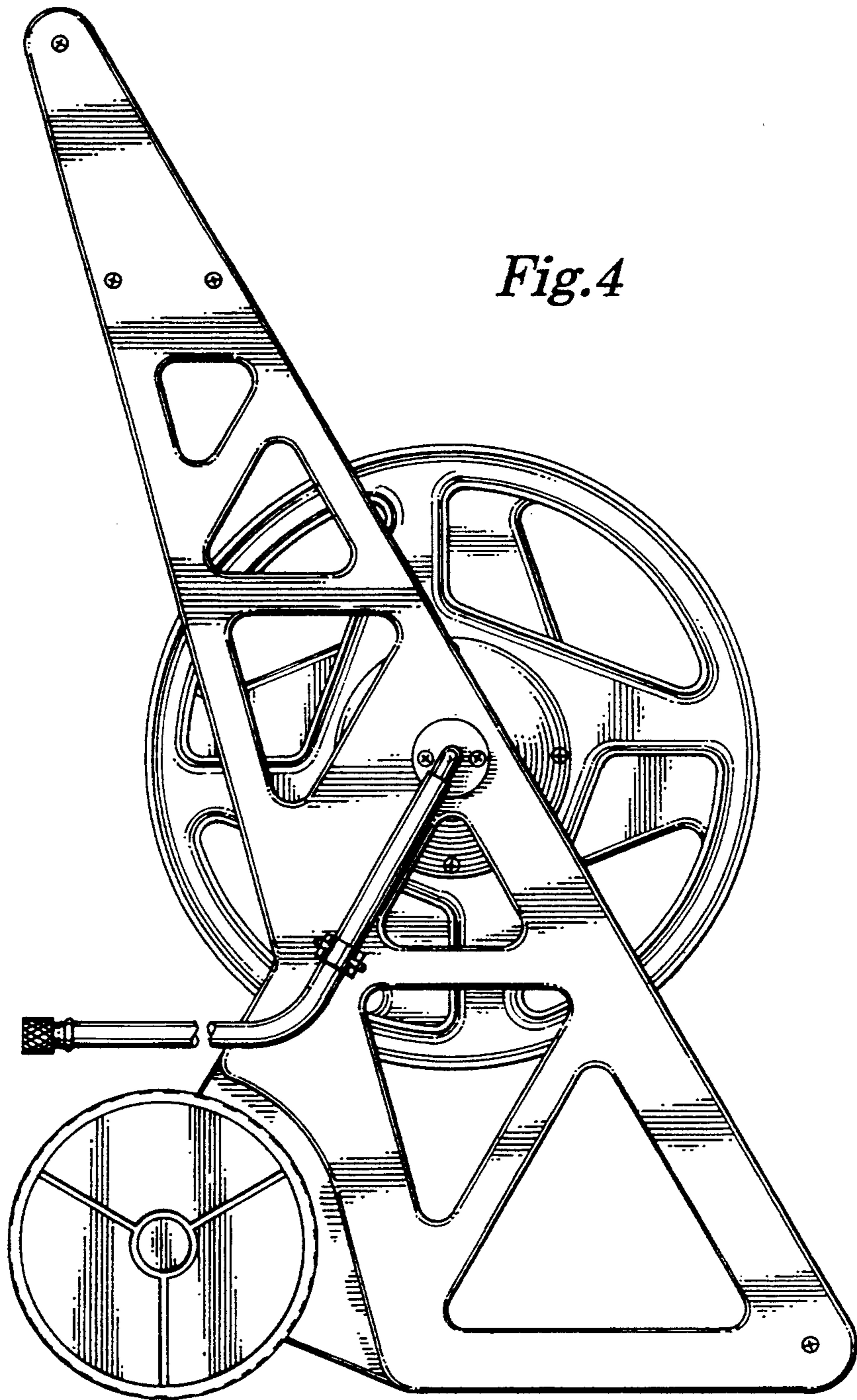


Fig. 4

Fig.5

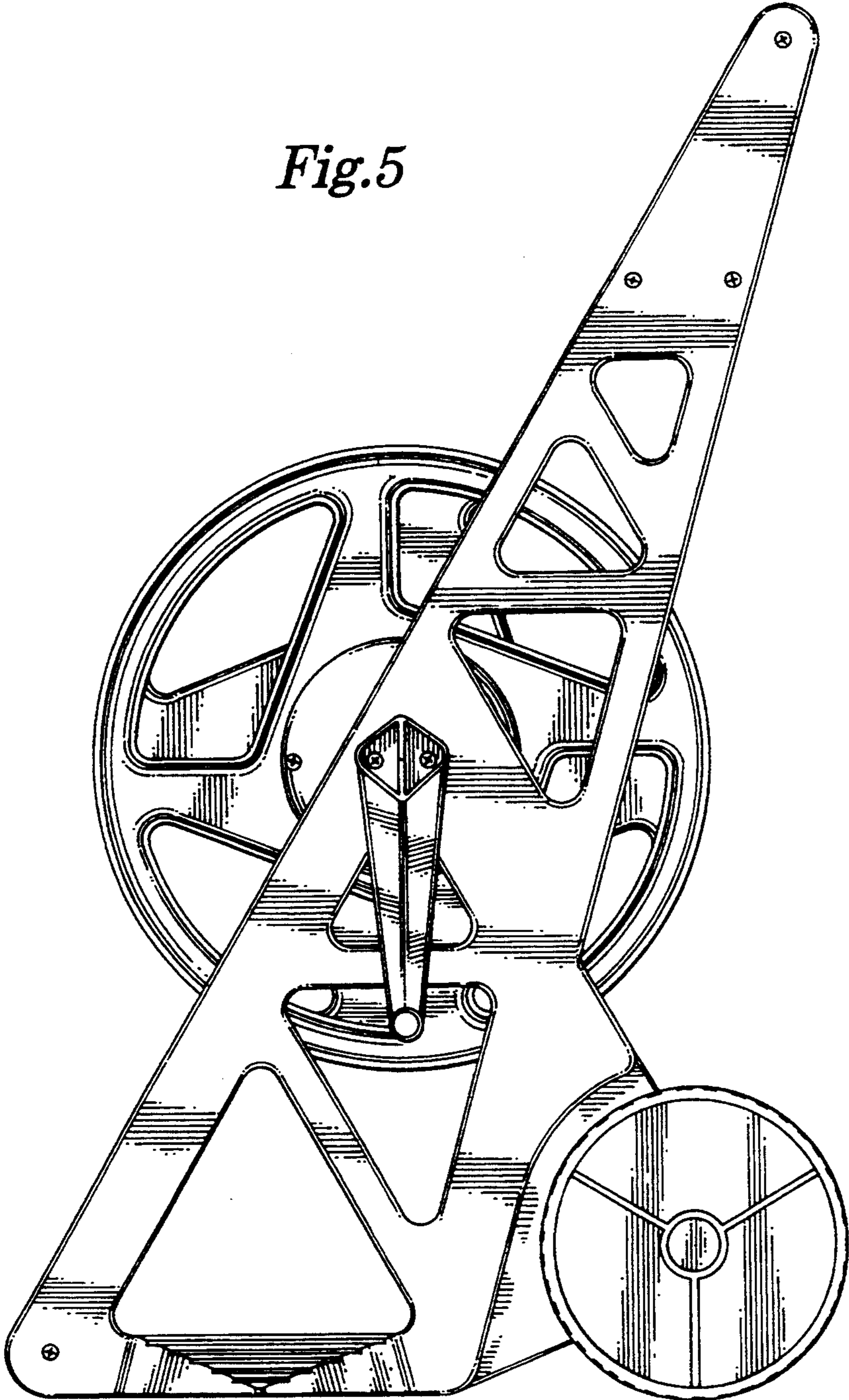


Fig.6

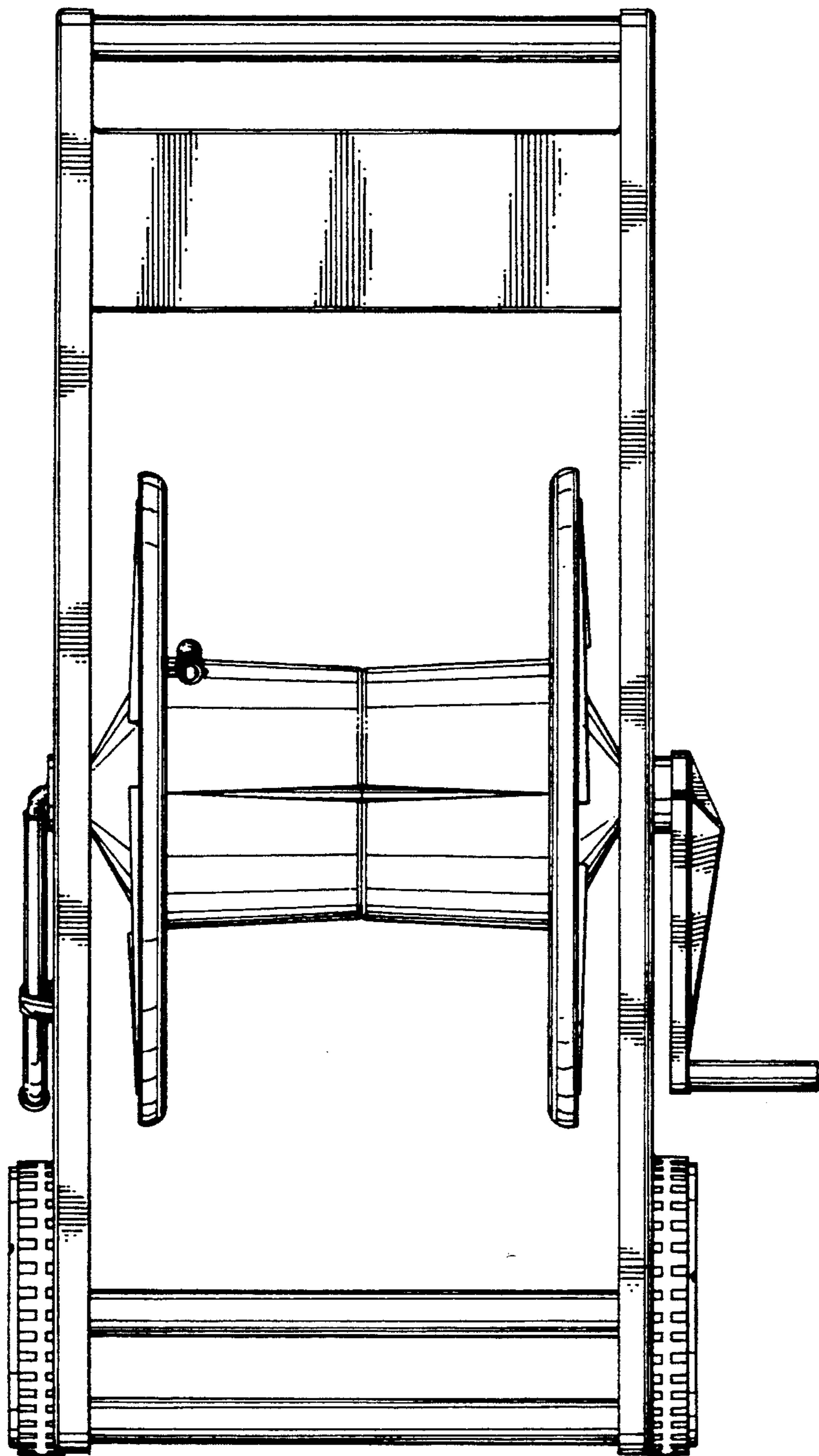


Fig.7

