



US00D352148S

# United States Patent [19]

Shively et al.

[11] Patent Number: **Des. 352,148**

[45] Date of Patent: **\*\* Nov. 1, 1994**

[54] **BALL CART**

[76] Inventors: **Robert L. Shively**, 919 Lincoln St.;  
**John Sherman**, 903 Clark Ave., both  
of Piqua, Ohio 45356

[\*\*] Term: **14 Years**

[21] Appl. No.: **1,953**

[22] Filed: **Nov. 25, 1992**

[52] U.S. Cl. .... **D34/25; D34/24**

[58] Field of Search ..... 280/79.2, 49.26, 49.19,  
280/47.17, 47.35; D34/12, 17, 18, 19, 24, 25, 26

[56]

### References Cited

#### U.S. PATENT DOCUMENTS

2,045,292	6/1936	Carey .....	226/16
2,468,115	4/1949	Saul, Jr. ....	220/93
2,798,640	7/1957	Coddington ..	220/93
3,475,069	10/1969	Saunders et al.	312/71
3,663,078	5/1972	Moore et al. ..	312/71
3,694,044	9/1972	Cummings .....	312/71
3,872,803	3/1975	Yasutake .....	108/136
4,149,762	4/1979	Olsson et al. ..	312/71
4,300,611	11/1981	Silverman .....	150/51

4,724,681	2/1988	Bartholomew et al. ....	280/47.17
4,873,841	10/1989	Bradshaw et al. ....	280/47.17
5,074,571	12/1991	Reese .....	280/47.19
5,169,164	12/1992	Bradford .....	280/47.26
5,273,298	12/1993	Brown, Sr. ....	280/79.2

*Primary Examiner*—Kay H. Chin  
*Attorney, Agent, or Firm*—Biebel & French

### [57] CLAIM

The ornamental design for a ball cart, as shown and described.

### DESCRIPTION

FIG. 1 is a perspective view of a ball cart showing the left front thereof;  
 FIG. 2 is an alternative perspective view with the platform of the ball cart retracted into the ball cart by the balls which are shown in phantom and which are not part of the invention;  
 FIG. 3 is a front elevational view thereof;  
 FIG. 4 is a rear elevational view thereof;  
 FIG. 5 is a right elevational side view thereof;  
 FIG. 6 is a left elevational side view thereof;  
 FIG. 7 is a top plan view thereof; and,  
 FIG. 8 is a bottom plan view.

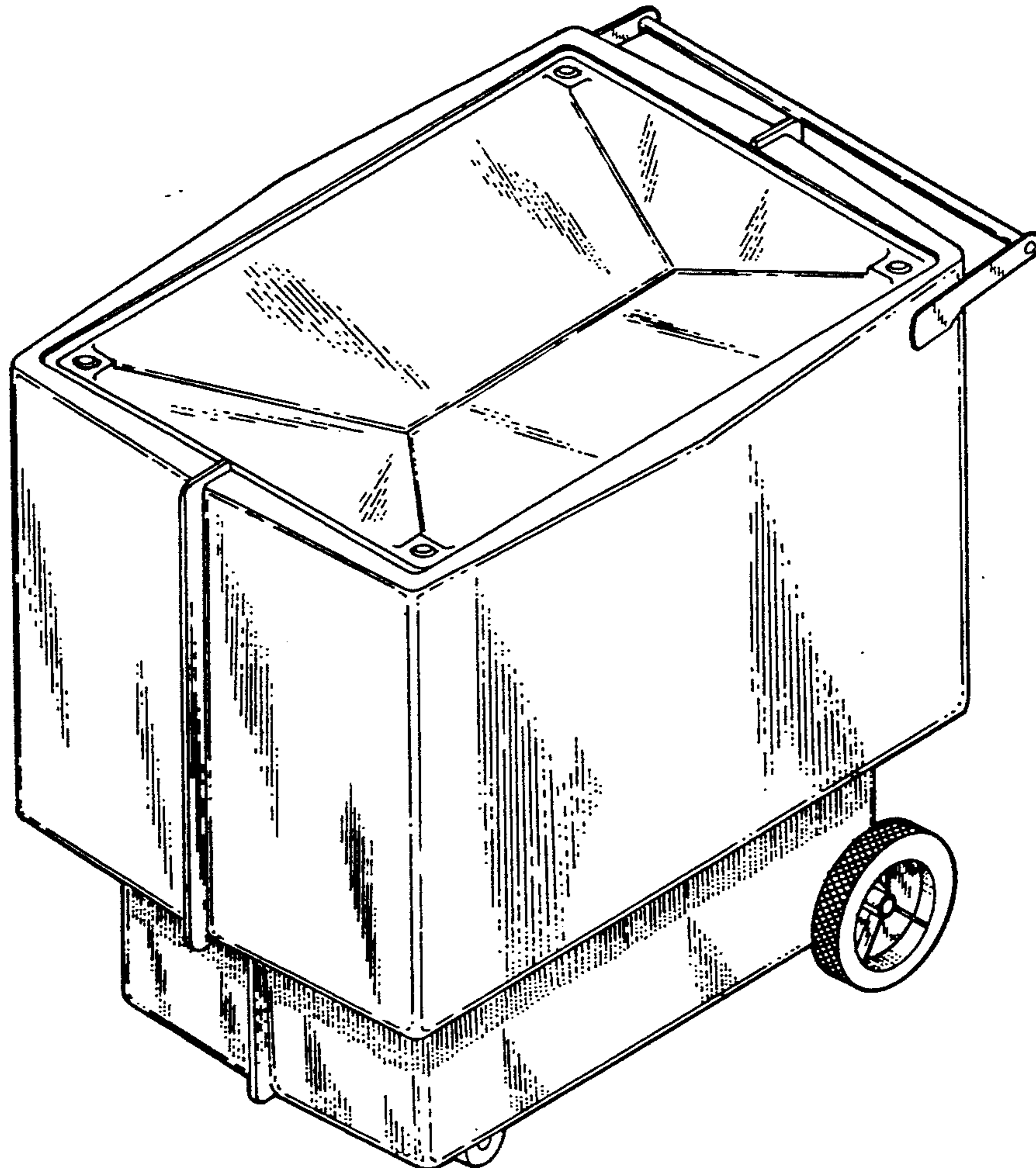


FIG - 1

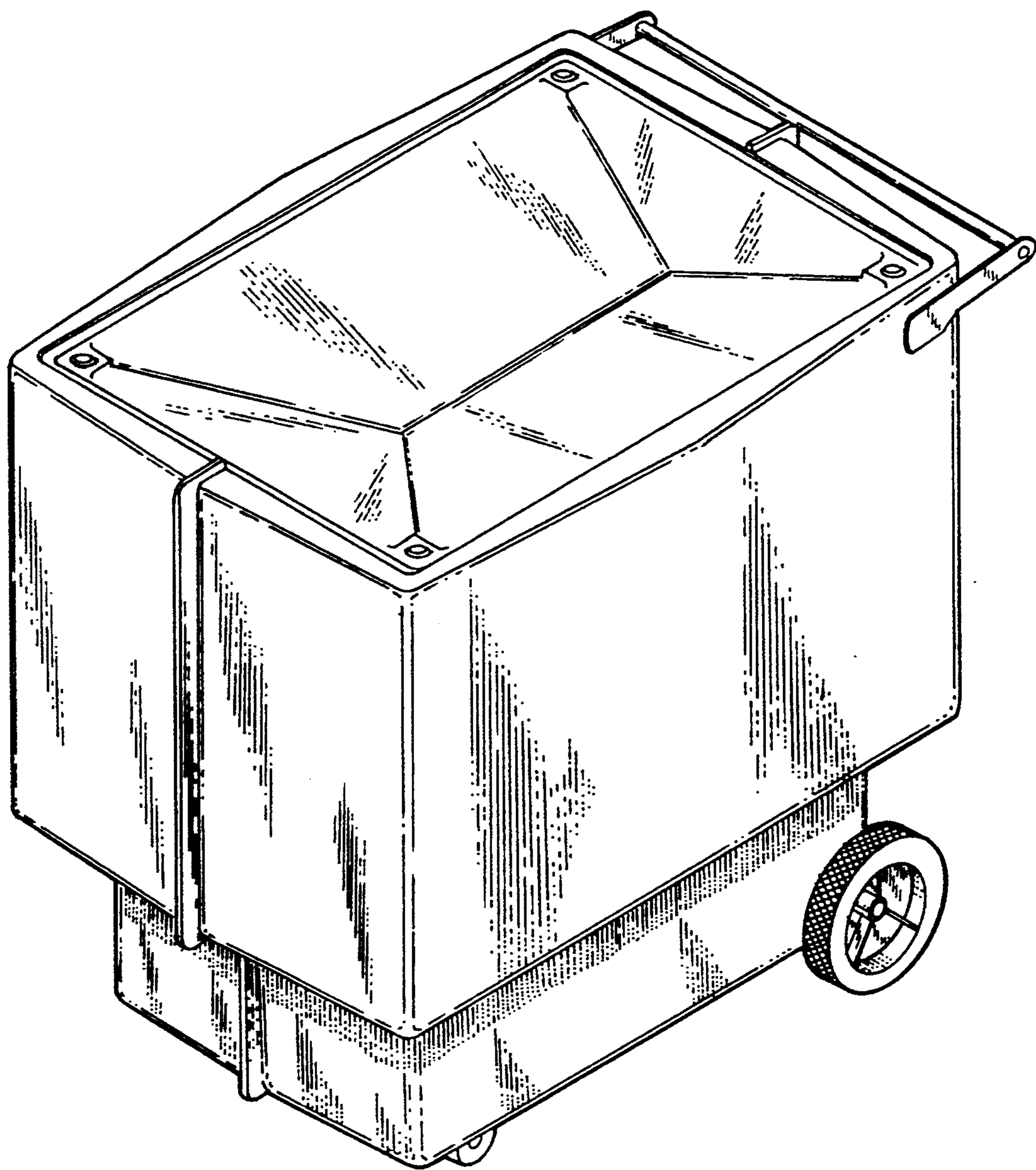




FIG - 2

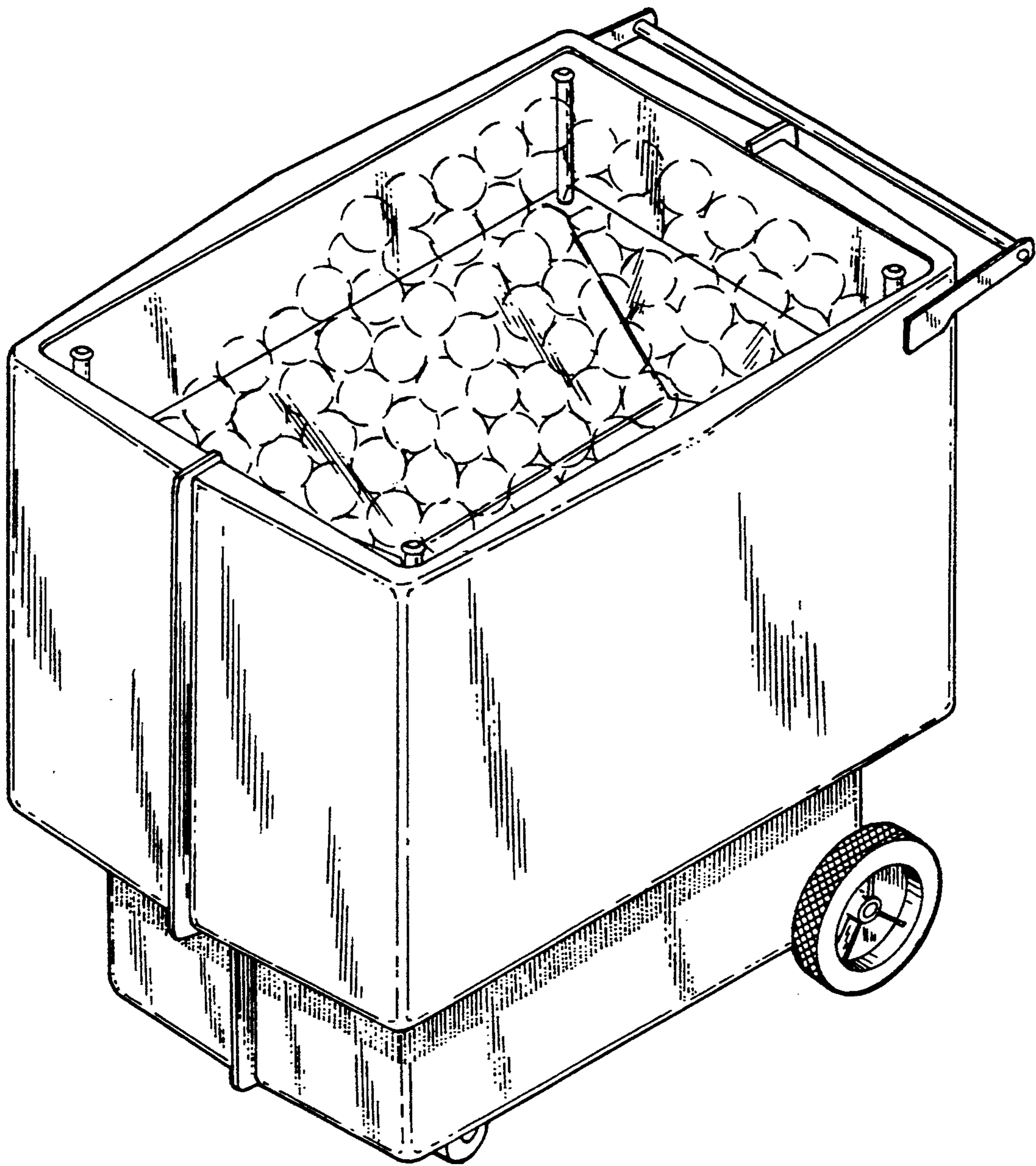


FIG-3

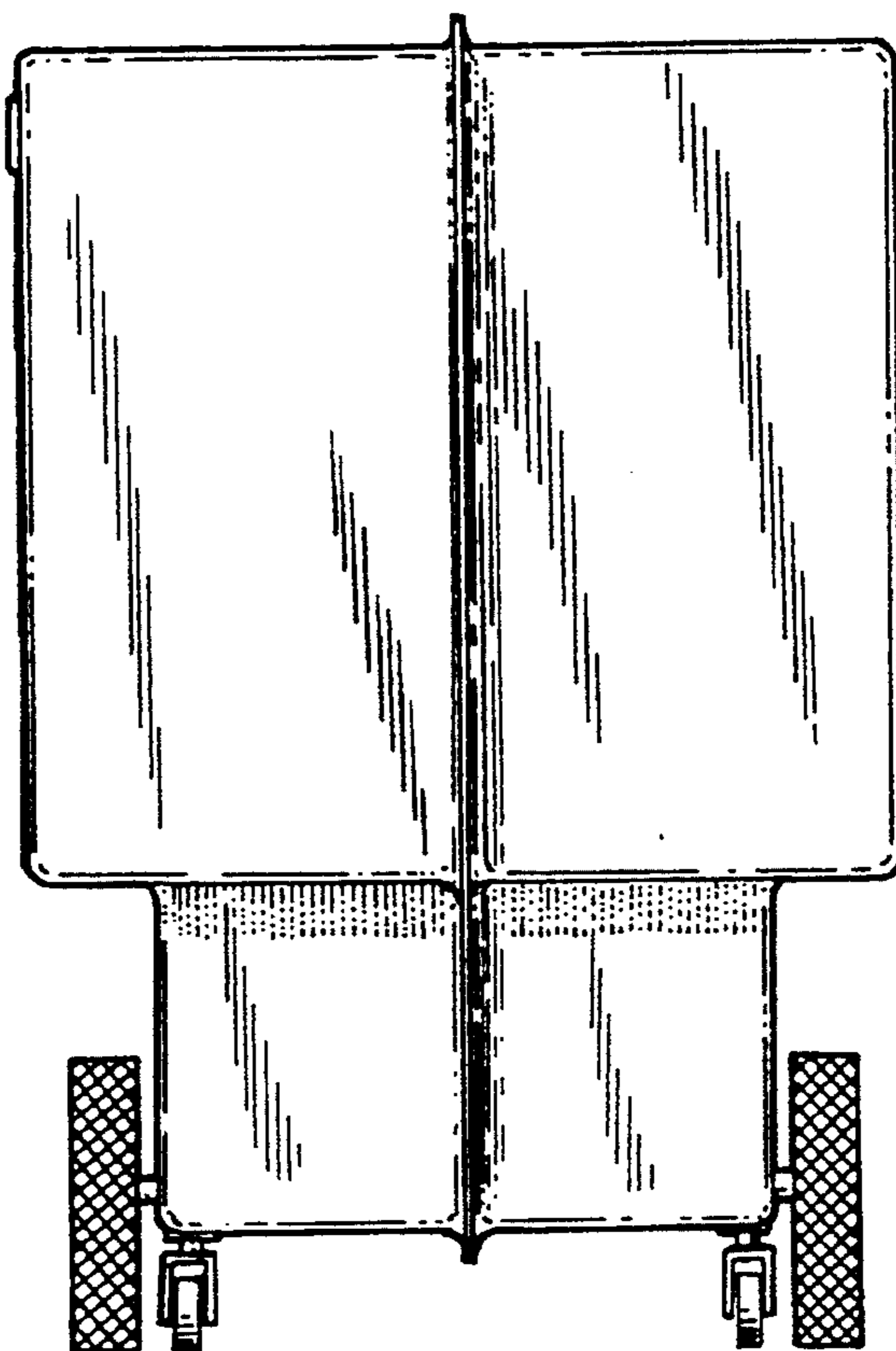


FIG-4

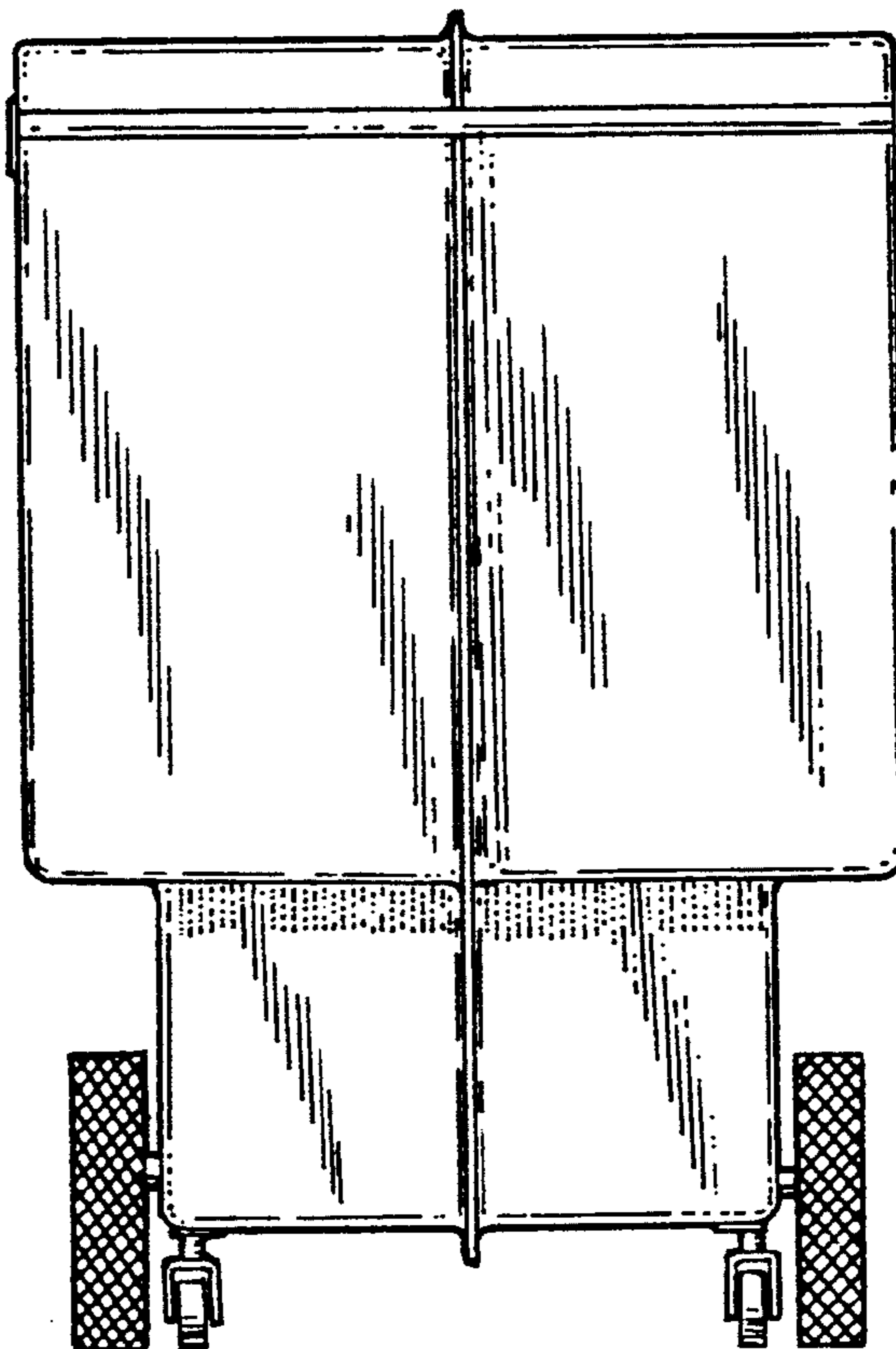


FIG-5

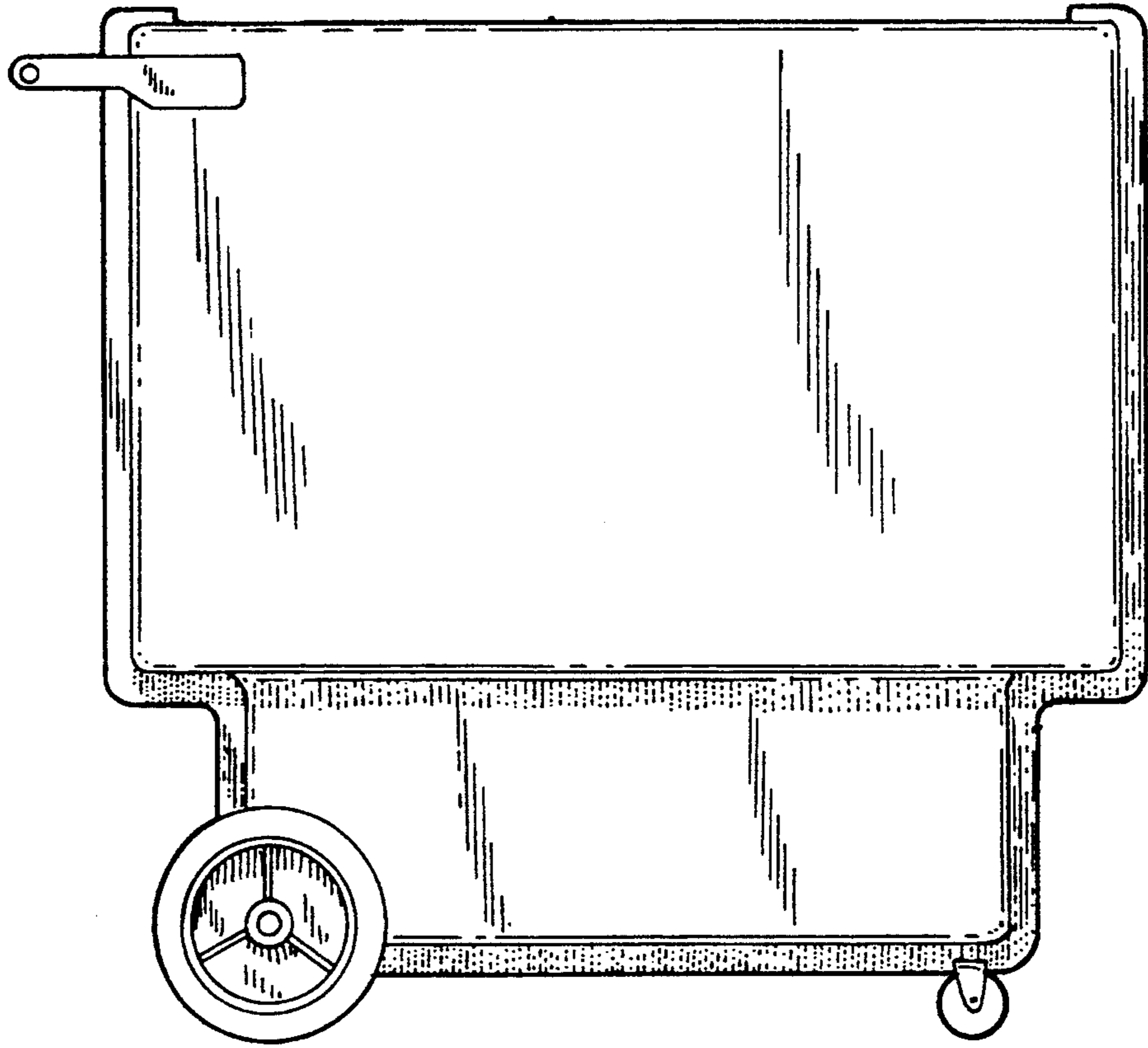


FIG-6

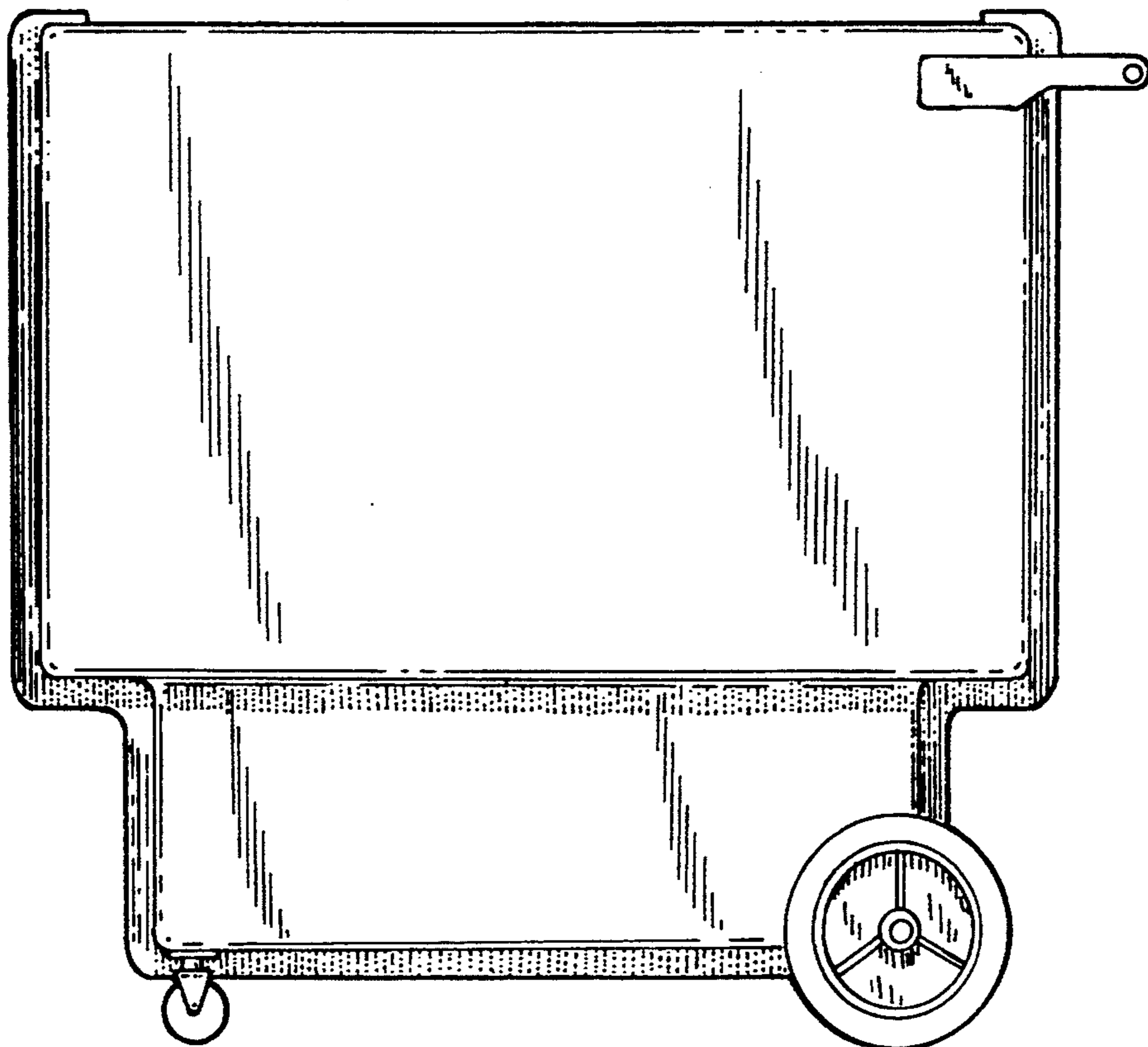


FIG - 7

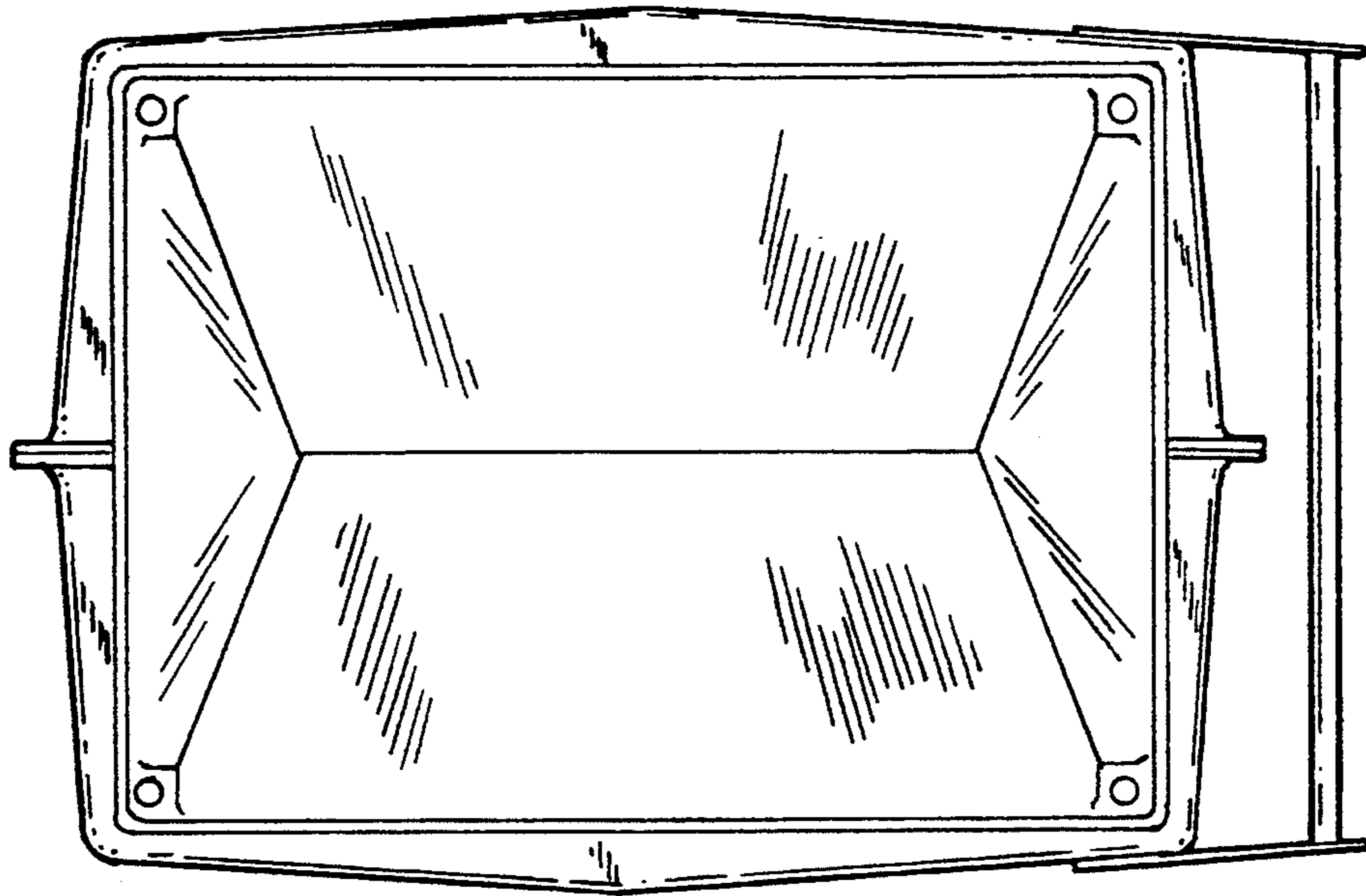


FIG - 8

