



US00D352145S

United States Patent [19]

[11] Patent Number: **Des. 352,145**

Server Perez

[45] Date of Patent: **** Nov. 1, 1994**

[54] **SHOPPING CART**

[75] Inventor: **Juan Server Perez, Pedreguer, Spain**

[73] Assignee: **Germans Server, S.L., Pedreguer, Spain**

[**] Term: **14 Years**

[21] Appl. No.: **3,564**

[22] Filed: **Jan. 13, 1993**

[30] **Foreign Application Priority Data**

Oct. 15, 1992 [ES] Spain 128.621

[52] U.S. Cl. **D34/19; D34/25**

[58] Field of Search 280/40, 655, 47.26,
280/47.28, 659, 47.24; D34/12, 17, 19, 24, 25,
26

[56] **References Cited**

U.S. PATENT DOCUMENTS

- 1,554,034 3/1925 Richie .
- 2,962,294 11/1960 Elias 280/659
- 3,276,786 10/1966 Olander 280/47.26
- 3,348,857 10/1967 Rollin .

- 4,346,907 8/1982 Swann 280/47.28
- 4,355,895 6/1982 Walker .
- 4,458,914 7/1984 Holtz .
- 4,570,958 2/1986 Walker .
- 4,754,985 7/1988 Im et al. .
- 4,989,889 2/1991 Server Perez .

FOREIGN PATENT DOCUMENTS

- 1488011 7/1967 France .
- 2567470 1/1986 France .

Primary Examiner—Kay H. Chin
Attorney, Agent, or Firm—Darby & Darby

[57] **CLAIM**

The ornamental design for a shopping cart, as shown and described.

DESCRIPTION

FIG. 1 is a front view of a shopping cart in accordance with my inventive design;
FIG. 2 is a right side view thereof;
FIG. 3 is a bottom view thereof;
FIG. 4 is a rear view thereof;
FIG. 5 is a left side view thereof; and,
FIG. 6 is a top view thereof with respect to FIG. 4.

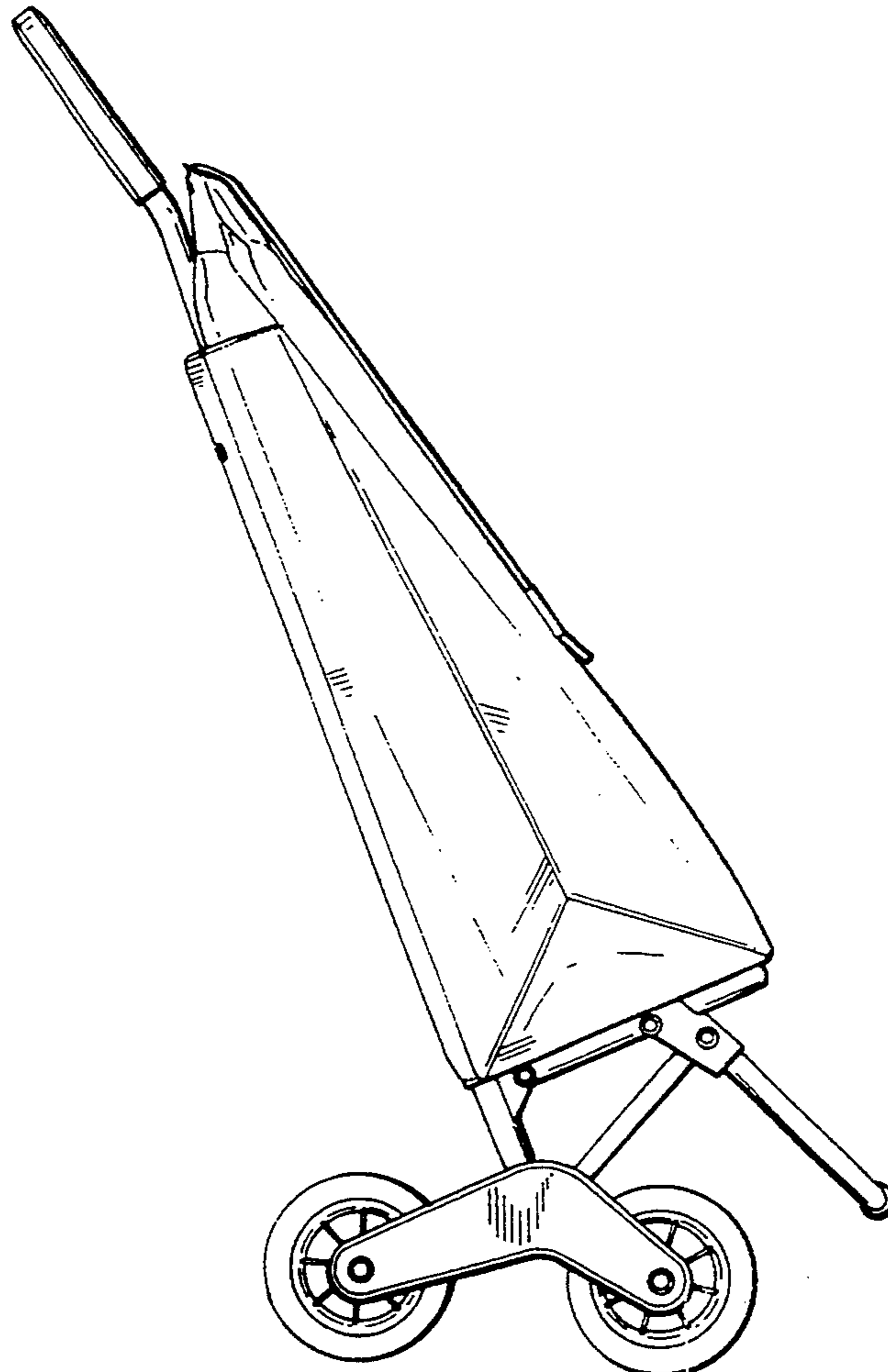


FIG. 1

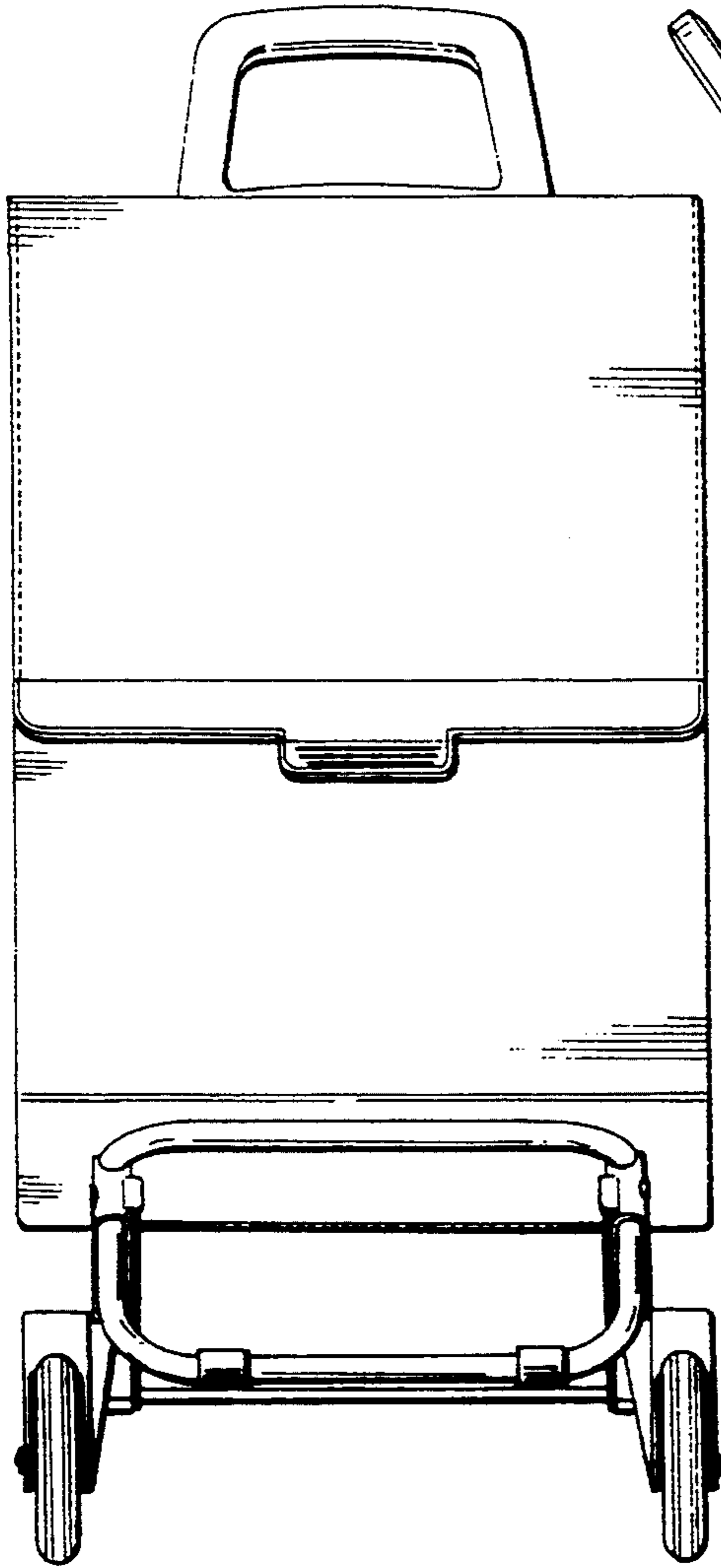


FIG. 2

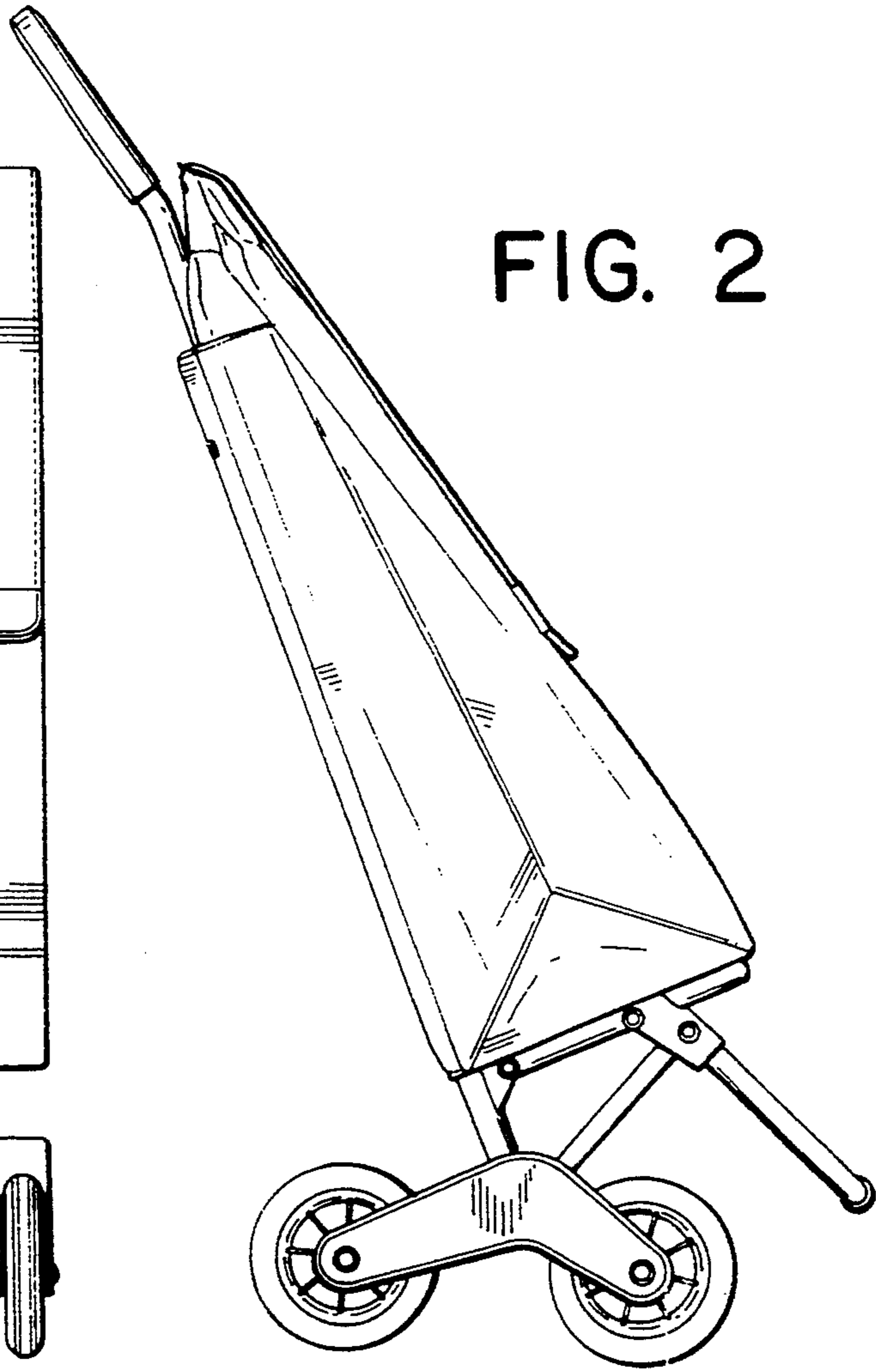


FIG. 3

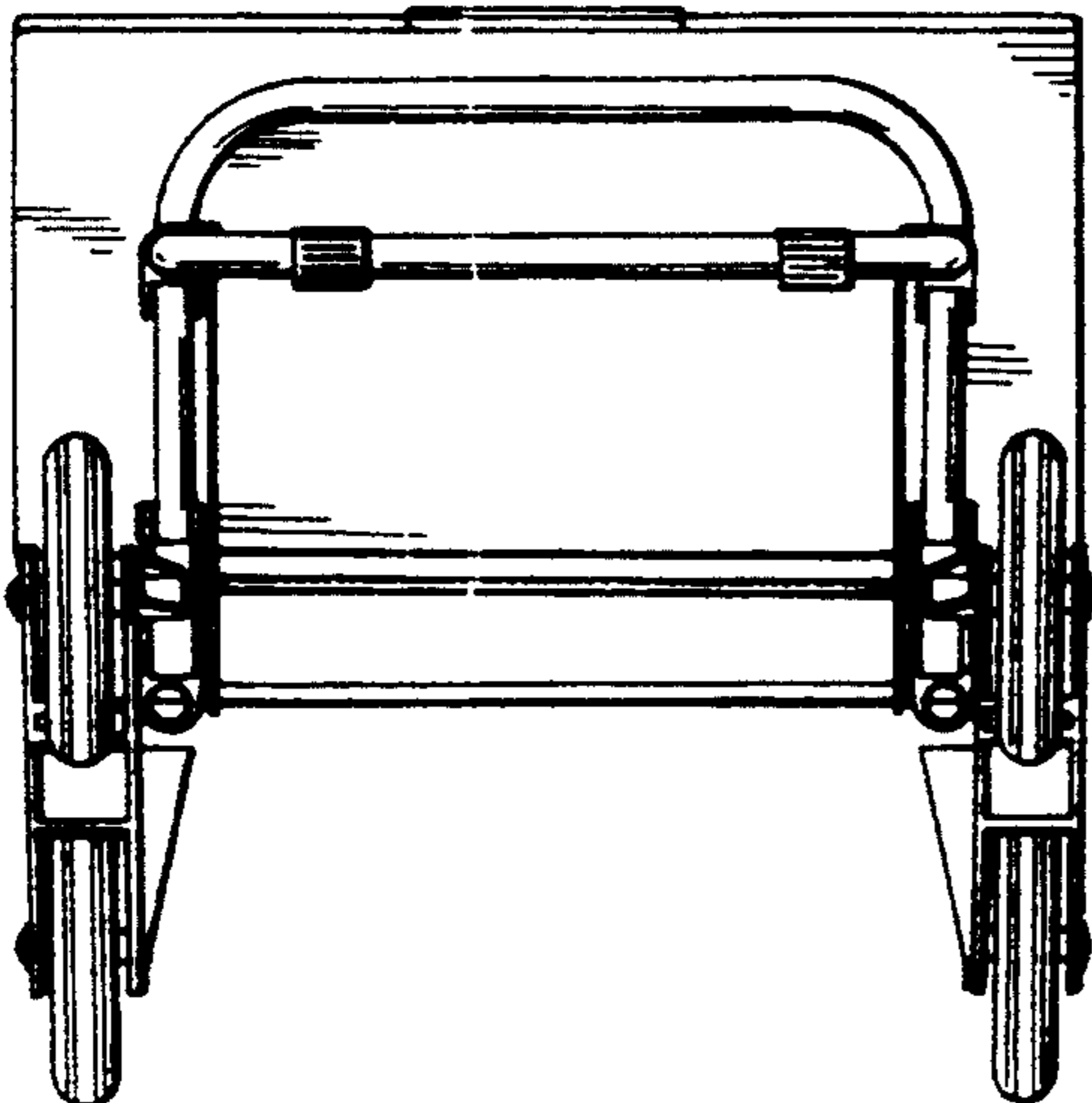


FIG. 4

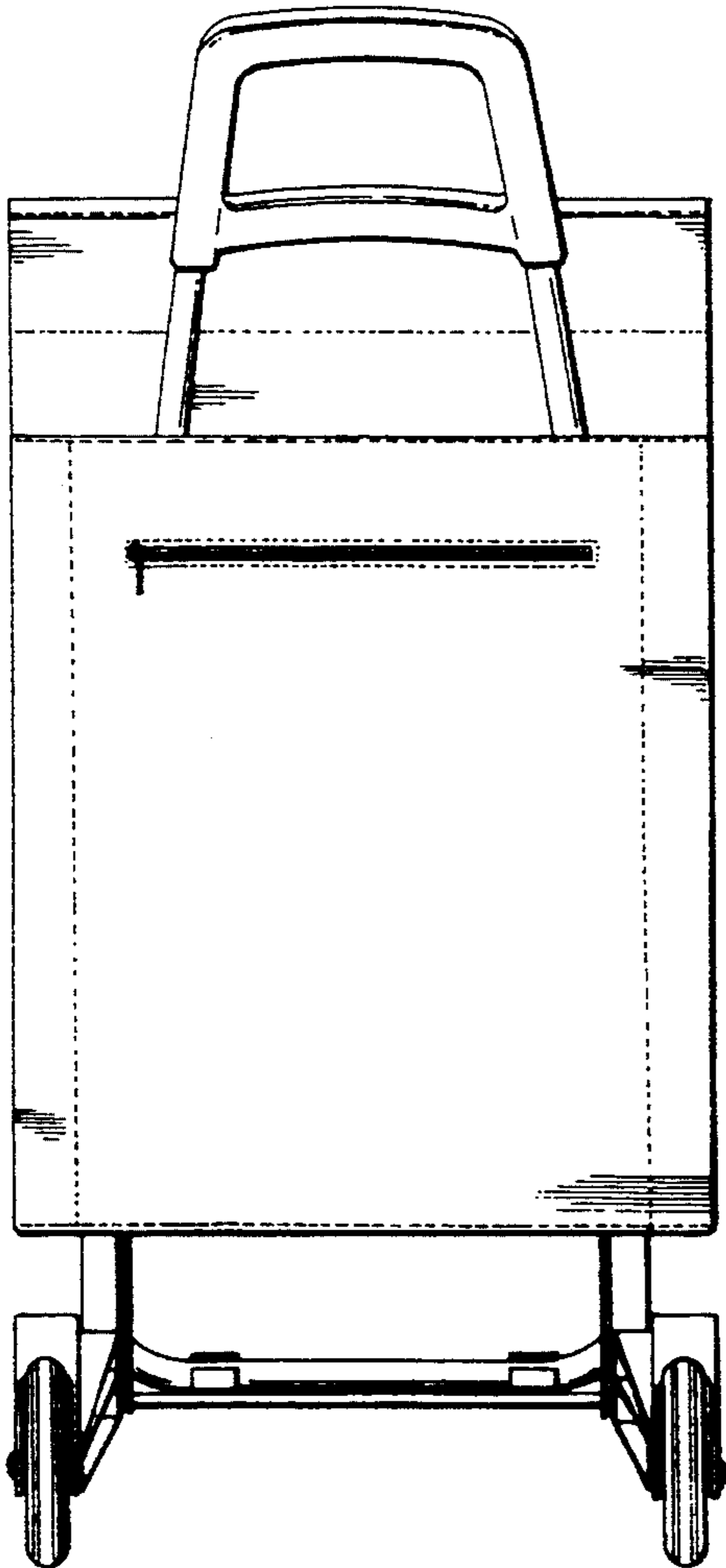


FIG. 5

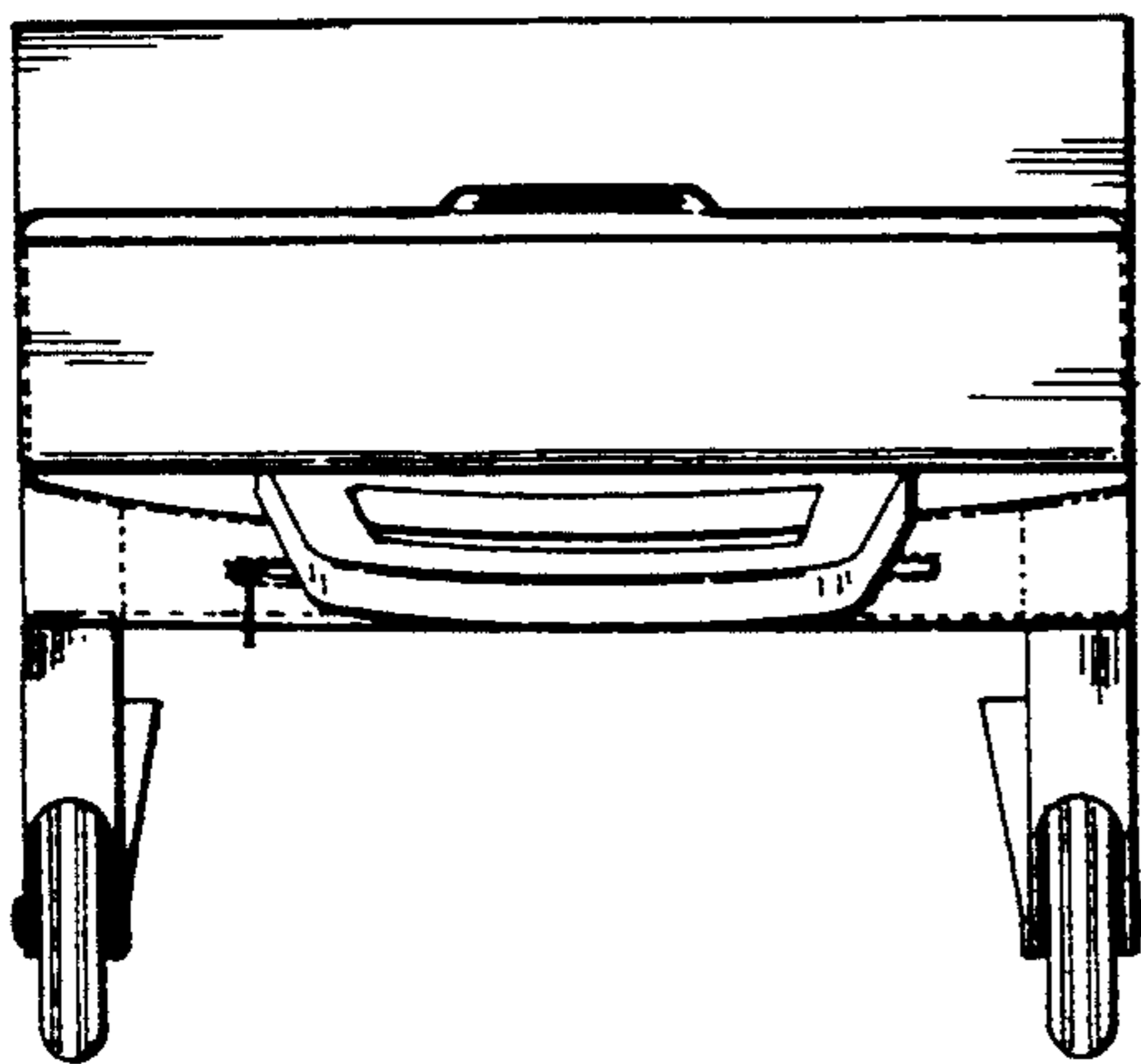
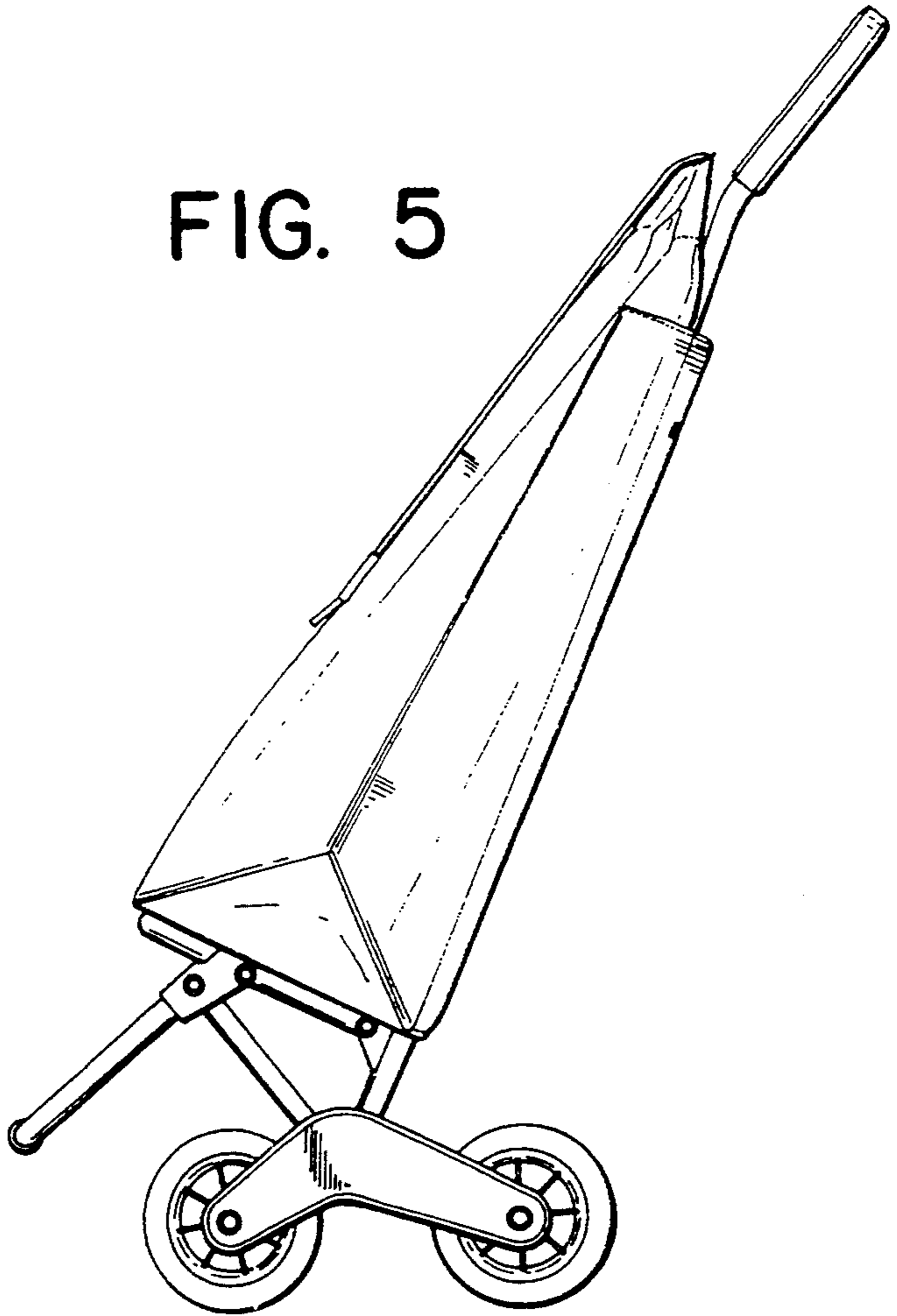


FIG. 6