



US00D352139S

United States Patent [19]
King

[11] **Patent Number: Des. 352,139**

[45] **Date of Patent: ** Nov. 1, 1994**

[54] **SPLASH RESISTANT PET DISH**

4,886,016 12/1989 Atchley 119/61

[76] Inventor: **James J. King**, 5523 N. Austin,
Chicago, Ill. 60630

FOREIGN PATENT DOCUMENTS

[**] Term: **14 Years**

265428 3/1950 Switzerland D30/1
1428 of 1911 United Kingdom D30/

[21] Appl. No.: **8,421**

Primary Examiner—Cathy Anne MacCormac
Attorney, Agent, or Firm—Greer, Burns & Crain, Ltd.

[22] Filed: **May 17, 1993**

[52] U.S. Cl. **D30/130**

[58] Field of Search 119/51.5, 61; D22/119,
D22/122; D30/121-122, 129-133

[57] **CLAIM**

The ornamental design for a splash resistant pet dish, as shown and described.

[56] **References Cited**

DESCRIPTION

U.S. PATENT DOCUMENTS

D. 122,576	9/1940	Steinhilber	D30/130
D. 229,073	11/1973	Brickel	D30/130
D. 248,077	6/1978	Daenen	D30/129
D. 262,069	11/1981	Khider	D30/130
D. 270,799	10/1983	Creske	D30/129
D. 296,485	6/1988	Peterson	D30/130
2,191,811	2/1940	Trampier, Sr.	119/61
3,731,658	5/1973	Livermore et al.	119/61

FIG. 1 is a front perspective view of my new design of the splash resistant pet dish;

FIG. 2 is a front elevational view thereof, the rear view being identical thereto;

FIG. 3 is a left side view thereof, the right side view being identical thereto;

FIG. 4 is an overhead plan view of the dish of the invention; and,

FIG. 5 is a bottom view thereof.

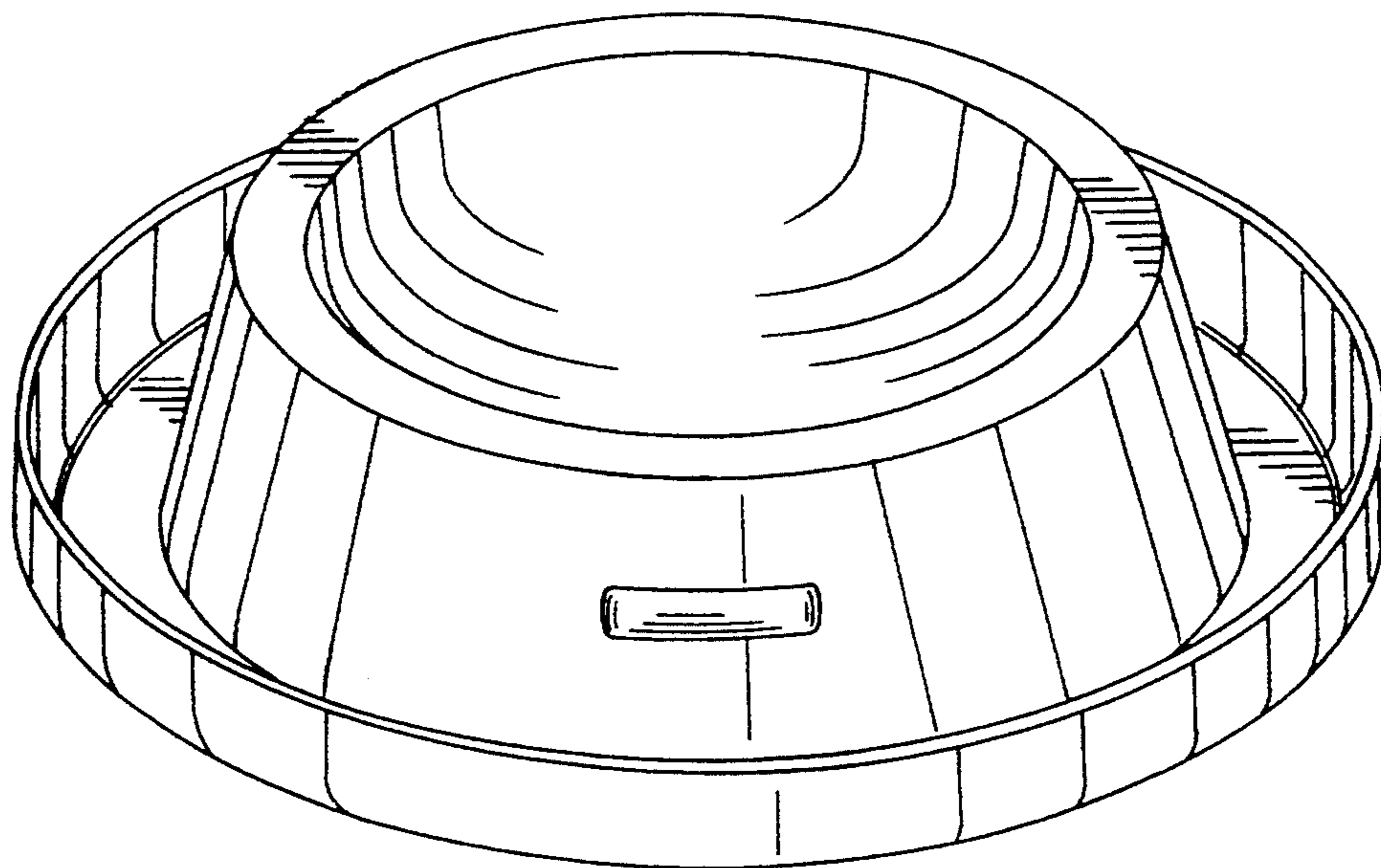


FIG. 1

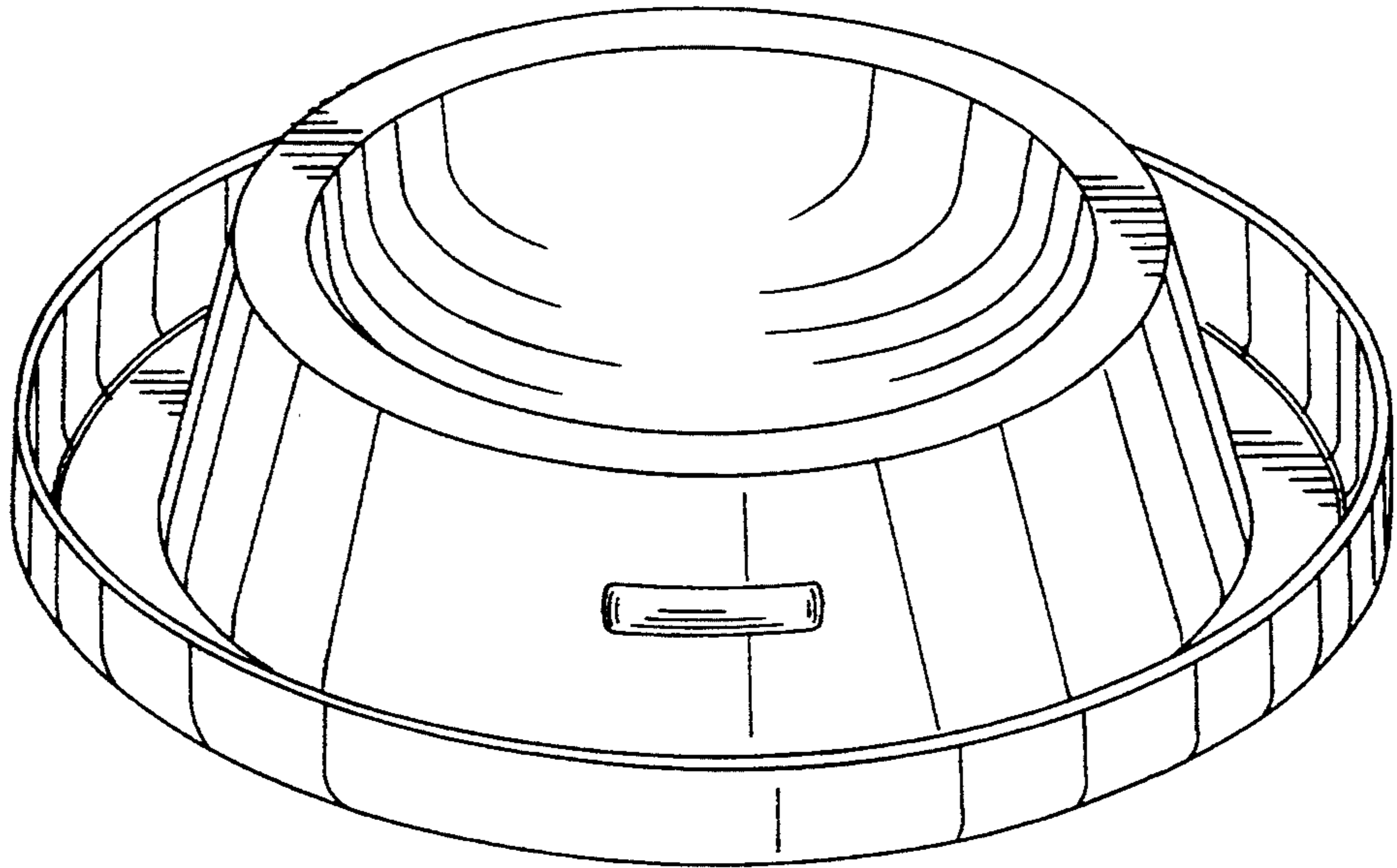


FIG. 2

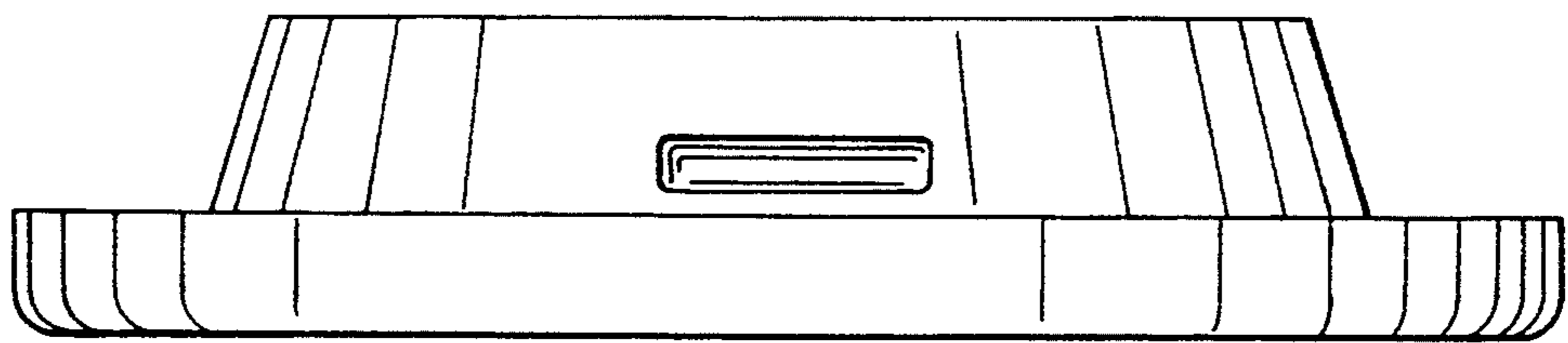


FIG. 3

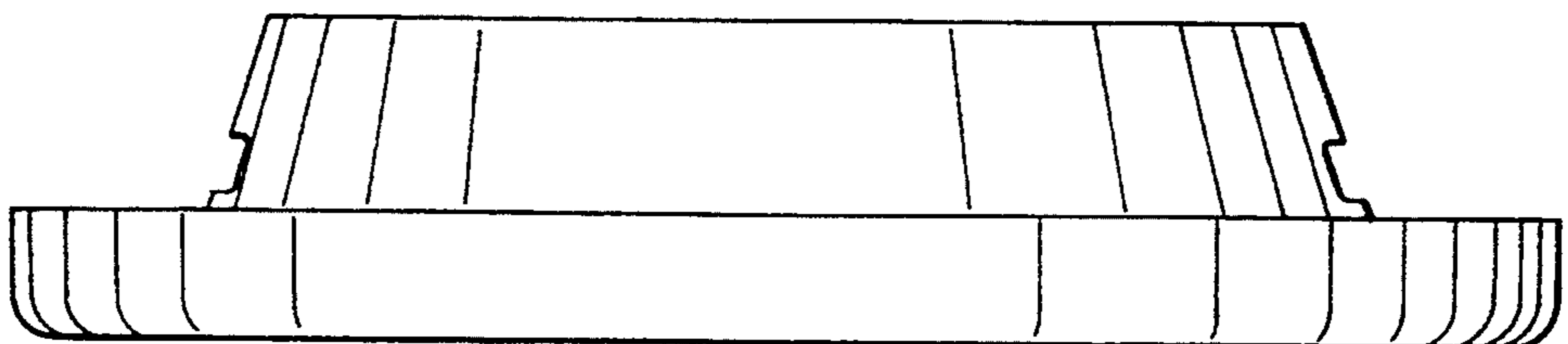


FIG. 4

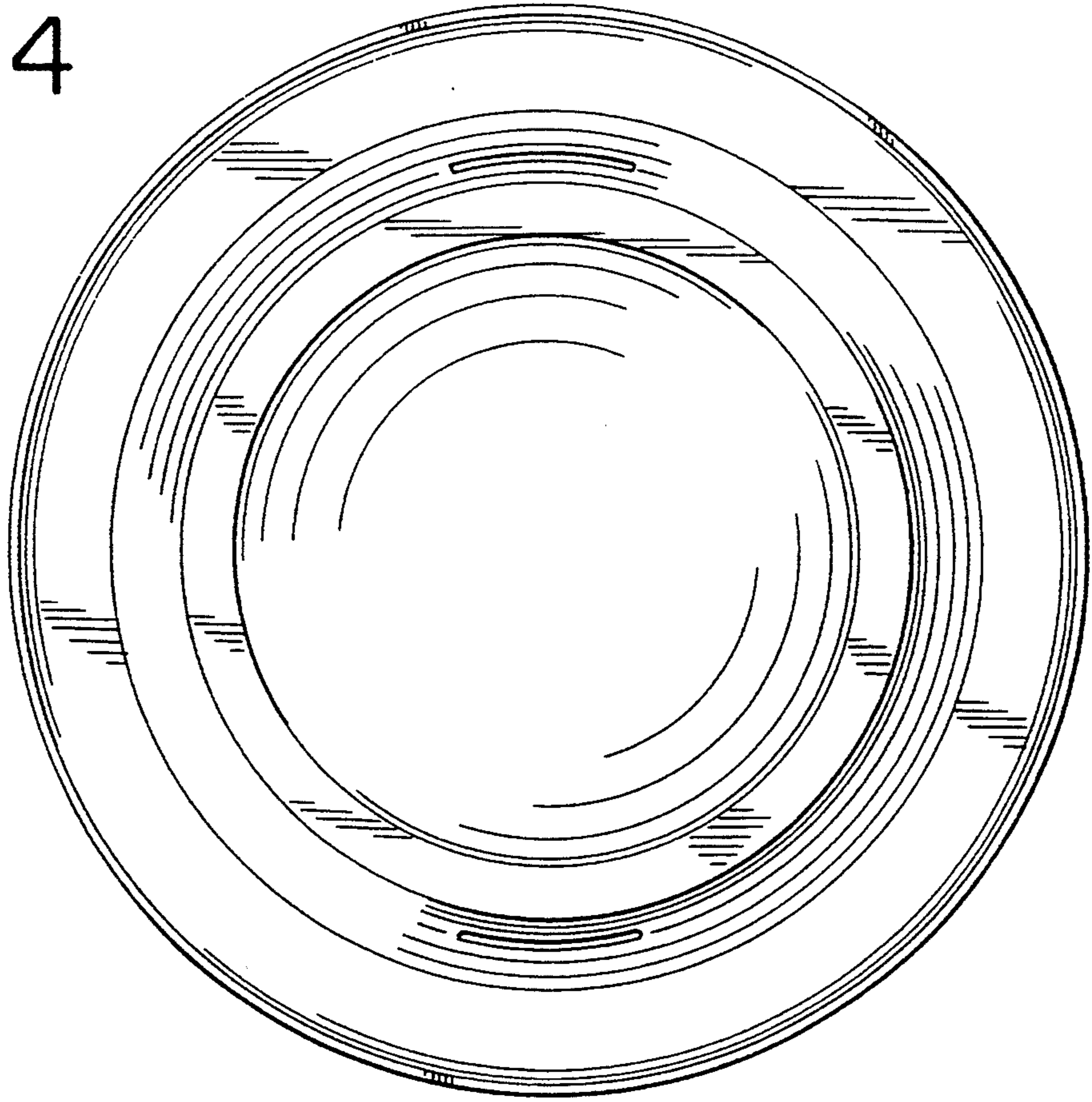


FIG. 5

