



US00D352133S

United States Patent [19]
Wacker

[11] **Patent Number: Des. 352,133**
[45] **Date of Patent: ** Nov. 1, 1994**

[54] **LIPSTICK CASE**

[75] **Inventor: Susan R. Wacker, New York, N.Y.**

[73] **Assignee: Elizabeth Arden Co., Division of Conopco, Inc., New York, N.Y.**

[**] **Term: 14 Years**

[21] **Appl. No.: 948,805**

[22] **Filed: Sep. 22, 1992**

[52] **U.S. Cl. D28/88**

[58] **Field of Search D9/529, 553, 559, 566; 132/317, 318; 401/89, 98; 206/385; D28/76, 85-90**

[56] **References Cited**

U.S. PATENT DOCUMENTS

- D. 79,328 9/1929 Guerlain D28/90
- D. 112,400 11/1938 Penn D38/89
- 1,257,775 2/1918 Wolf 401/18
- 4,415,077 11/1983 Murphy 220/4.26 X

FOREIGN PATENT DOCUMENTS

- 766123 4/1934 France D28/20 85
- 270830 5/1927 United Kingdom 401/98

OTHER PUBLICATIONS

“Mademoiselle”; Jun. 1984; Coty ‘24’ lipstick case.
“Hong Kong Enterprise”; Oct. 1989; p. 372: item no. 203 on left.

Primary Examiner—Theodore M. Shooman
Assistant Examiner—C. Tuttle
Attorney, Agent, or Firm—Milton L. Honig

[57] **CLAIM**

The ornamental design for a lipstick case, as shown and described.

DESCRIPTION

FIG. 1 is a perspective view from above showing my new design;
FIG. 2 is a top elevational view thereof;
FIG. 3 is a front elevational view thereof; and,
FIG. 4 is an exploded perspective view thereof.
The broken line showing of the lipstick in FIG. 4 is for illustrative purposes only and forms no part of the claimed design.

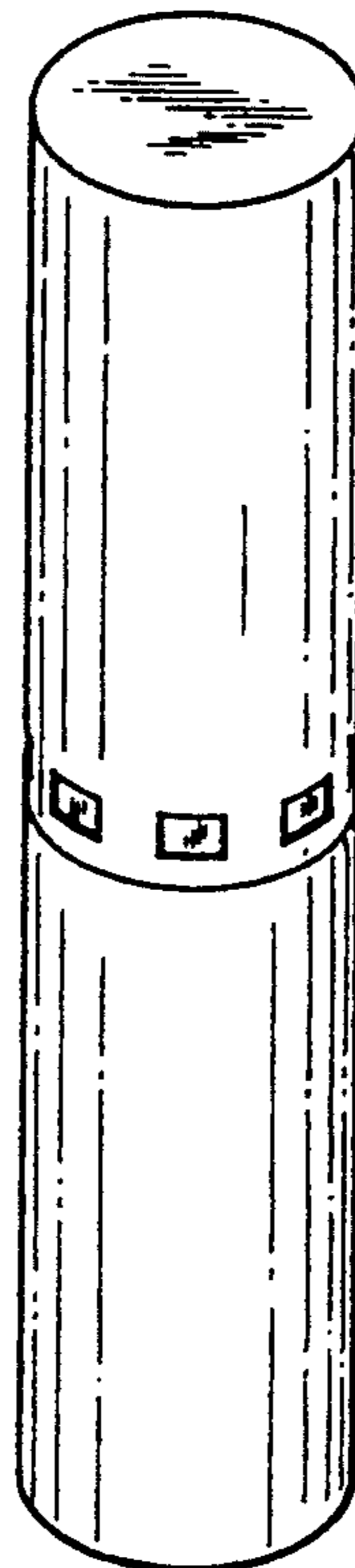


FIG. 1

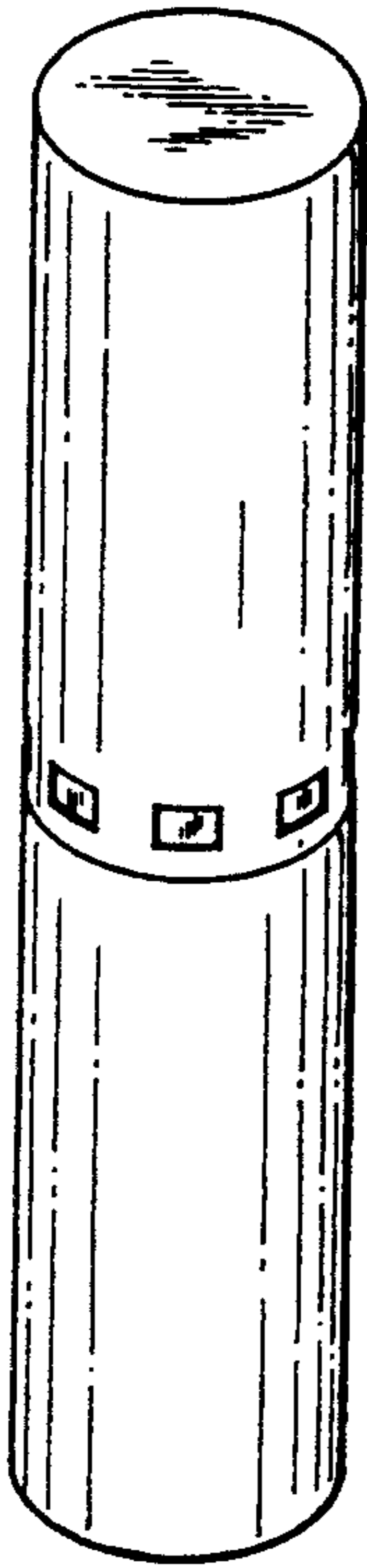


FIG. 2

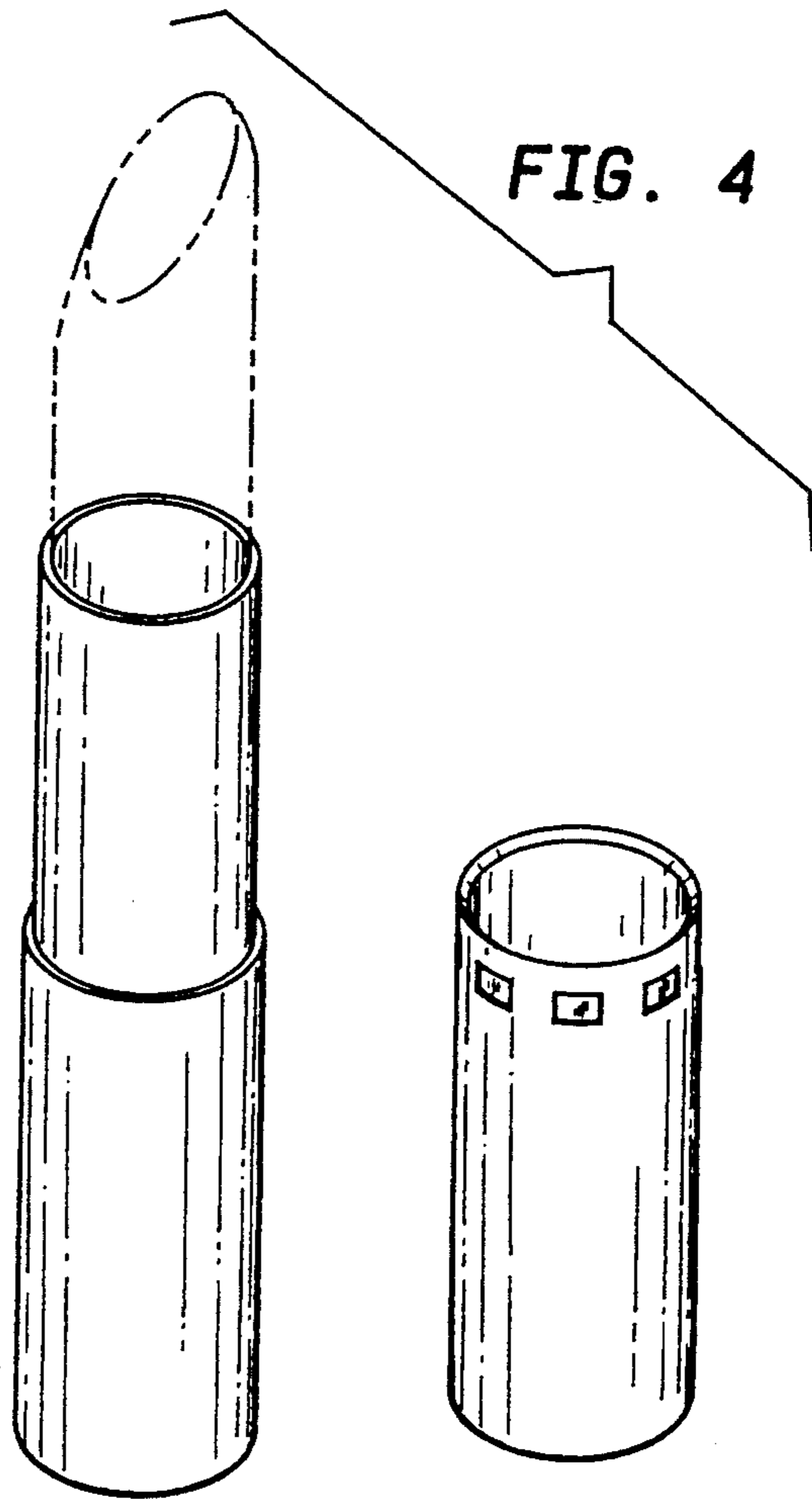
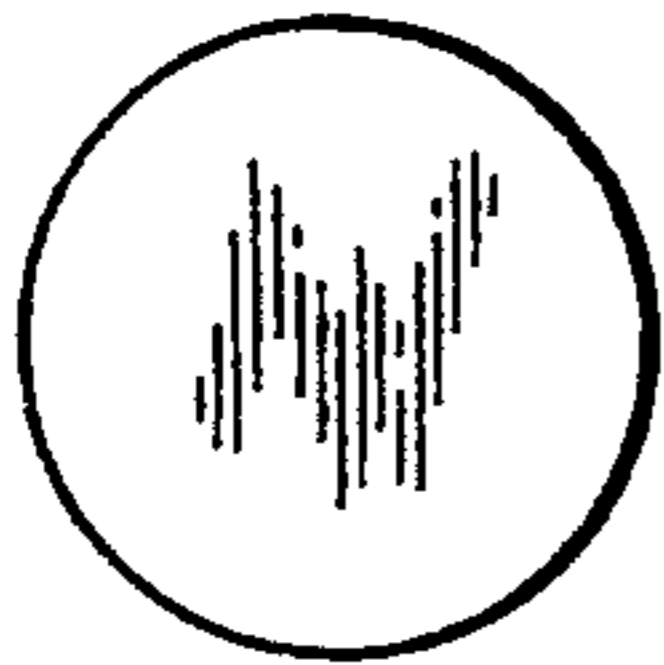


FIG. 3

