



US00D352131S

United States Patent [19]

[11] Patent Number: **Des. 352,131**

Wolters et al.

[45] Date of Patent: **** Nov. 1, 1994**

[54] **COSMETIC CRAYON**

[76] Inventors: **Joachim R. Wolters**, 64 Beatty Pl., Newbury Park, Calif. 91320; **Andre Perdreau**, 17547 Tuba St., Northridge, Calif. 91325

[**] Term: **14 Years**

[21] Appl. No.: **762**

[22] Filed: **Oct. 23, 1992**

[52] U.S. Cl. **D28/7; D28/88**

[58] Field of Search 604/289, 309; 132/317, 132/318, 320; 401/49, 55, 62, 67-70, 74, 75, 78, 80, 82, 87-89, 95, 98; D28/7, 76, 85, 88; D19/41, 43, 45, 51, 53, 57, 58

[56] **References Cited**

U.S. PATENT DOCUMENTS

- D. 200,385 2/1965 Tinsley D28/7
- D. 224,989 10/1972 Costa et al. D28/7
- D. 285,730 9/1986 Bulwick D19/43
- D. 292,672 11/1987 Levy 132/318 X
- D. 313,872 1/1991 Thompson .
- D. 315,426 3/1991 Pisani et al. .
- 1,931,079 10/1933 Mitchell .
- 2,007,245 7/1935 Gimonet .
- 2,162,584 6/1939 Kole .
- 2,247,311 2/1942 Wehn .
- 2,344,883 3/1944 Kairalla .
- 3,219,044 11/1965 Bau 206/385 X

- 3,358,699 12/1967 Bau 401/70
- 4,452,262 6/1984 Jankewitz .
- 4,740,097 4/1988 Kapustin .
- 4,983,059 1/1991 Holloway 401/98 X
- 5,069,232 12/1991 Staar .

FOREIGN PATENT DOCUMENTS

- 8707822 12/1987 WIPO 401/88

OTHER PUBLICATIONS

Covergirl lipstick applicator; ad from an unknown magazine ©1984 Noxell Corp.

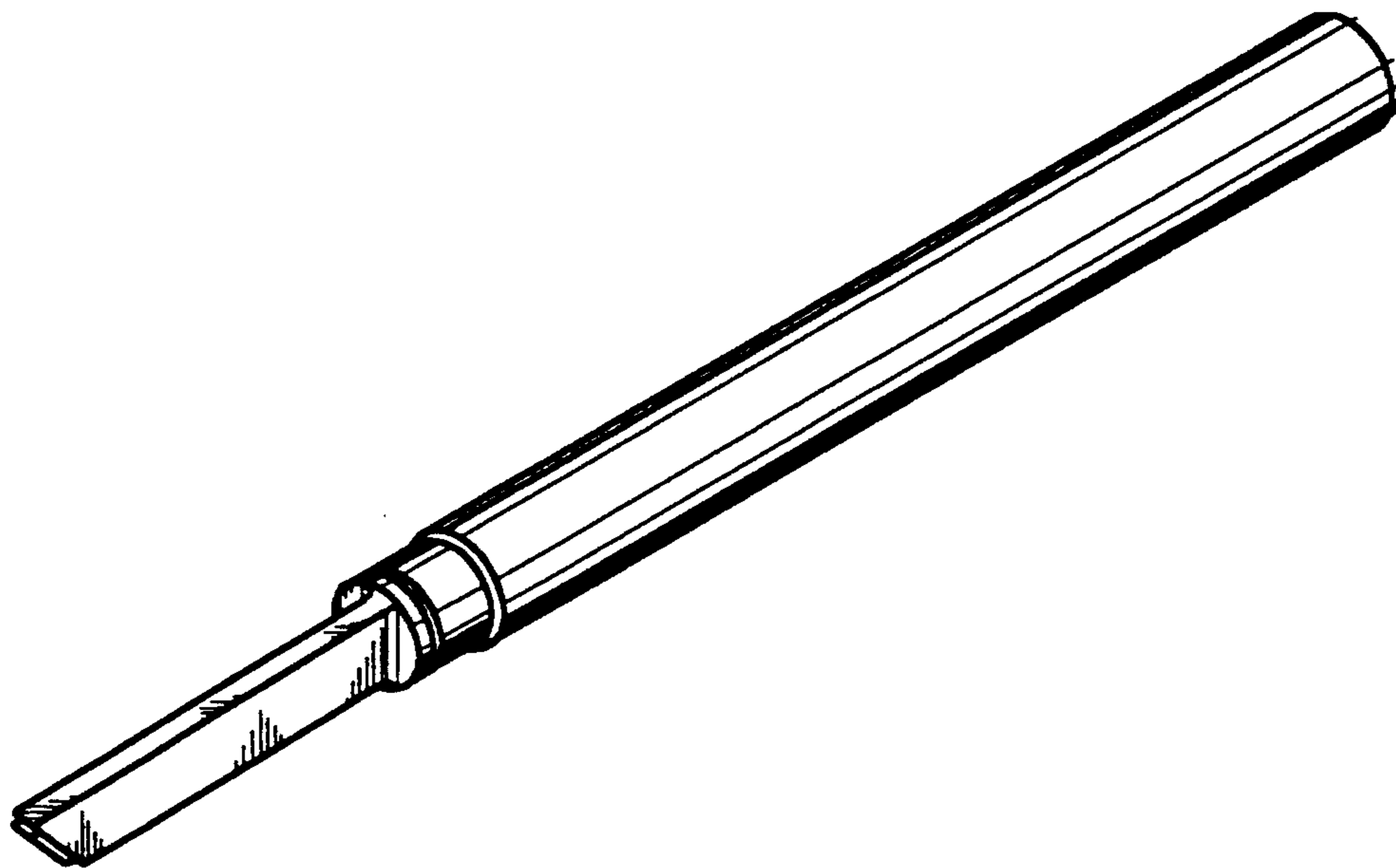
Primary Examiner—Bernard Ansher
Assistant Examiner—C. Tuttle
Attorney, Agent, or Firm—Cislo & Thomas

[57] **CLAIM**

The ornamental design for a cosmetic crayon, as shown and described.

DESCRIPTION

FIG. 1 is a perspective view of our cosmetic crayon showing our new design;
FIG. 2 is a top plan view thereof;
FIG. 3 is a right side elevational view thereof with the left side elevational view being a mirror image thereof;
FIG. 4 is a bottom plan view thereof;
FIG. 5 is a front elevational view thereof; and,
FIG. 6 is a rear elevational view thereof.



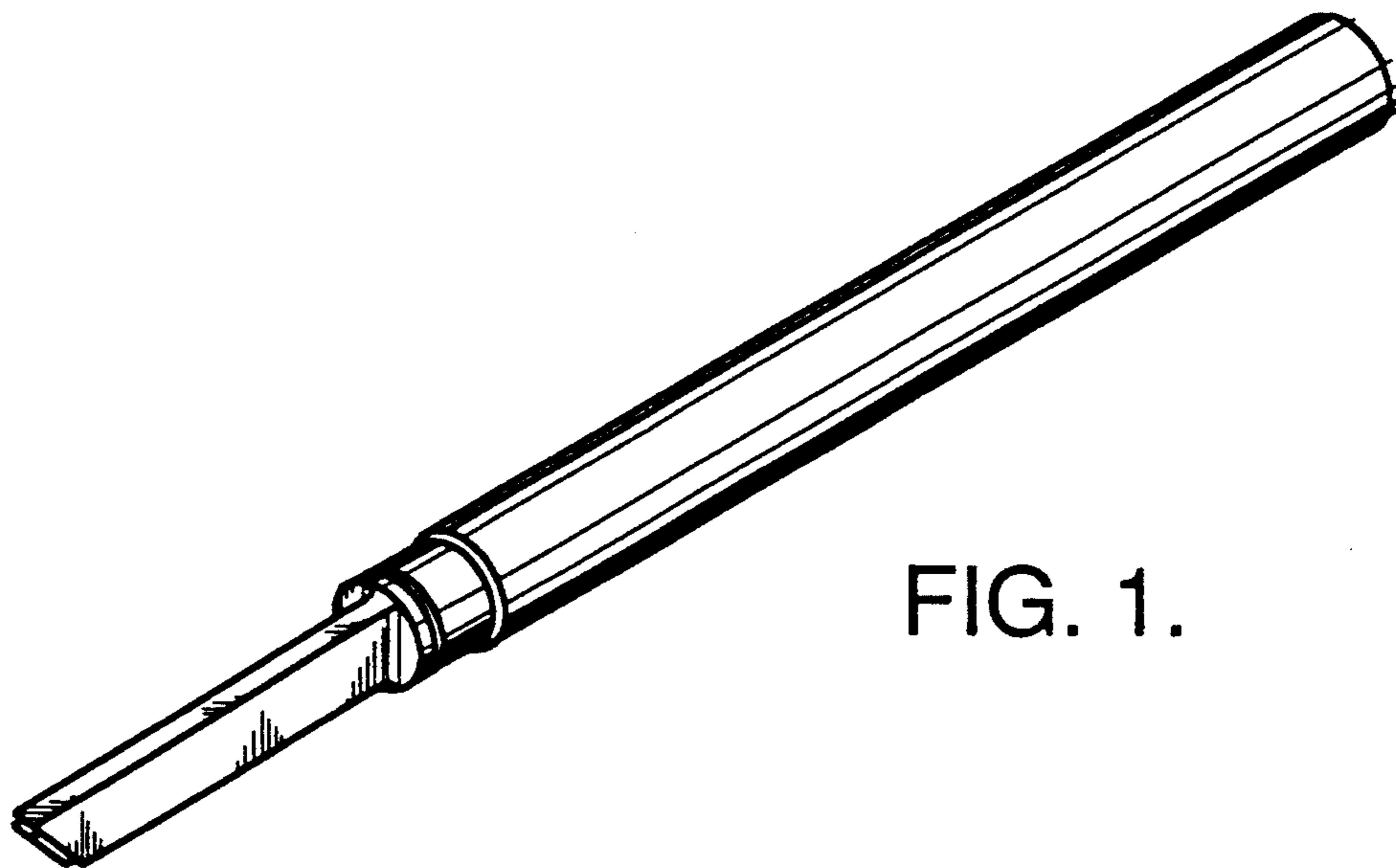


FIG. 1.

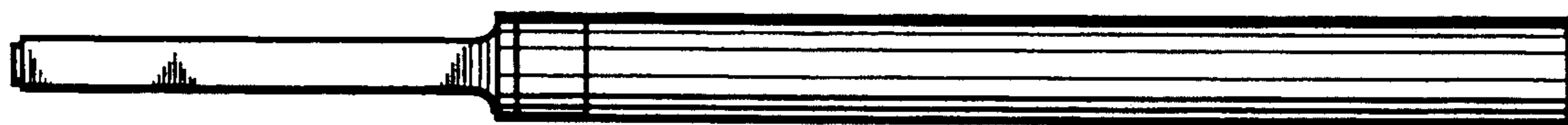


FIG. 2.

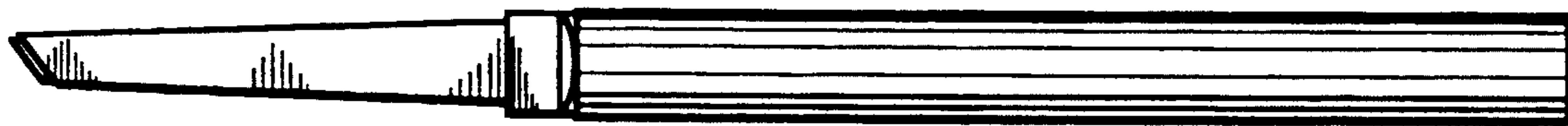


FIG. 3.

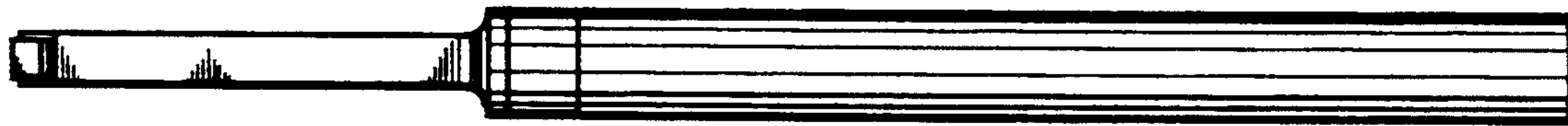


FIG. 4.



FIG. 5.



FIG. 6.