



US00D352128S

United States Patent [19]

Nicholas

[11] Patent Number: **Des. 352,128**

[45] Date of Patent: **** Nov. 1, 1994**

[54] OUTER SURFACE OF ELEMENT FOR LIGHTING FIXTURE

[75] Inventor: **Ken Nicholas**, Cleveland, Ohio

[73] Assignee: **Hinkley Lighting, Inc.**, Cleveland, Ohio

[**] Term: **14 Years**

[21] Appl. No.: **10,597**

[22] Filed: **Jul. 9, 1993**

[52] U.S. Cl. **D26/152; D26/72**

[58] Field of Search 362/147, 404, 405, 406, 362/407, 408, 432; D26/128-136, 72, 80-92, 142-149, 152, 155

[56] References Cited

U.S. PATENT DOCUMENTS

D. 82,862 12/1930 Nessen D26/72

OTHER PUBLICATIONS

Interiors, Apr. 1988, p. 19, Wall Sconce. Lighting Bug, Ltd. Wall Sconce Ad, ©1987, Wall Sconce (Bottom Left). LuminArt "Profile" fixtures; pp. 26-27; Catalog No. 92-3 (Prior Art-Published Before Jul. 9, 1993).

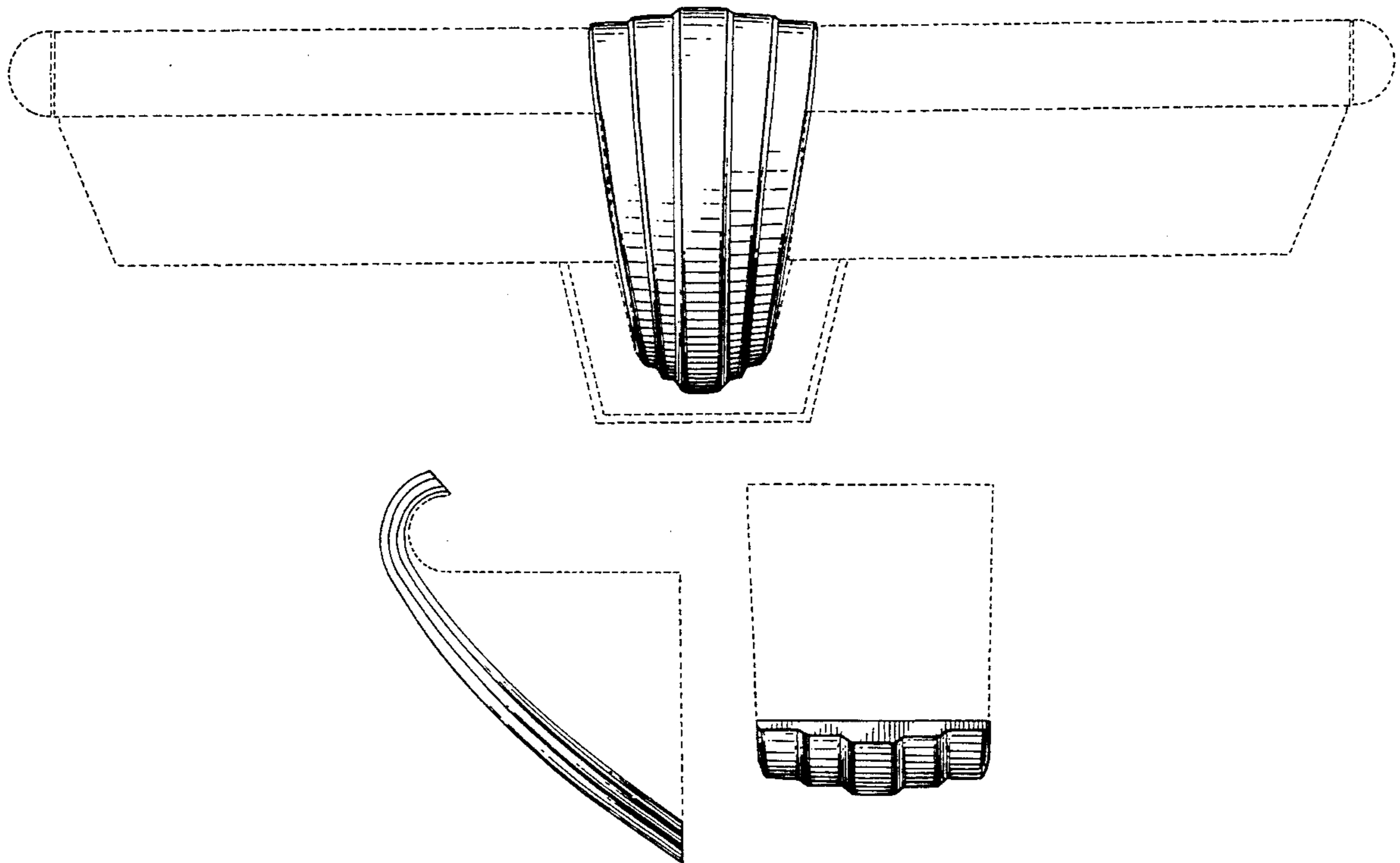
Primary Examiner—Susan J. Lucas
Attorney, Agent, or Firm—Saidman DesignLaw Group

[57] CLAIM

The ornamental design for an outer surface of element for lighting fixture, as shown and described.

DESCRIPTION

FIG. 1 is a front view in elevation of an outer surface of an element for a lighting fixture showing my new design; FIG. 2 is a right side view thereof, the left side being a mirror image thereof; FIG. 3 is a top plan view thereof; and, FIG. 4 is a bottom plan view thereof. The broken lines shown in the drawings are environmental only and form no part of the claimed design.



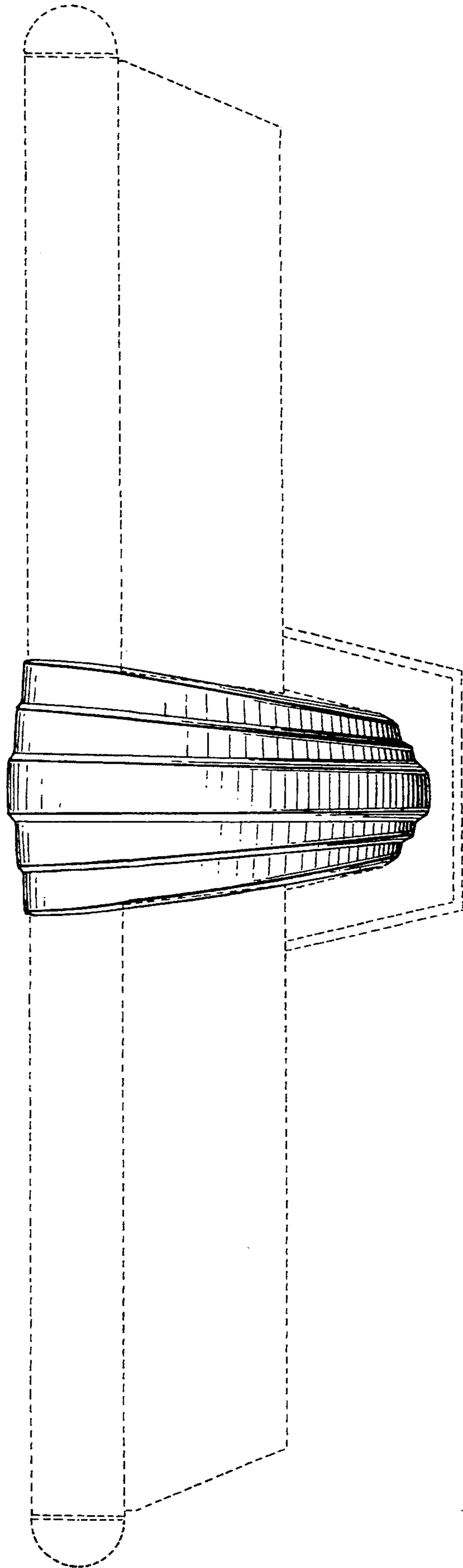


FIG. 1

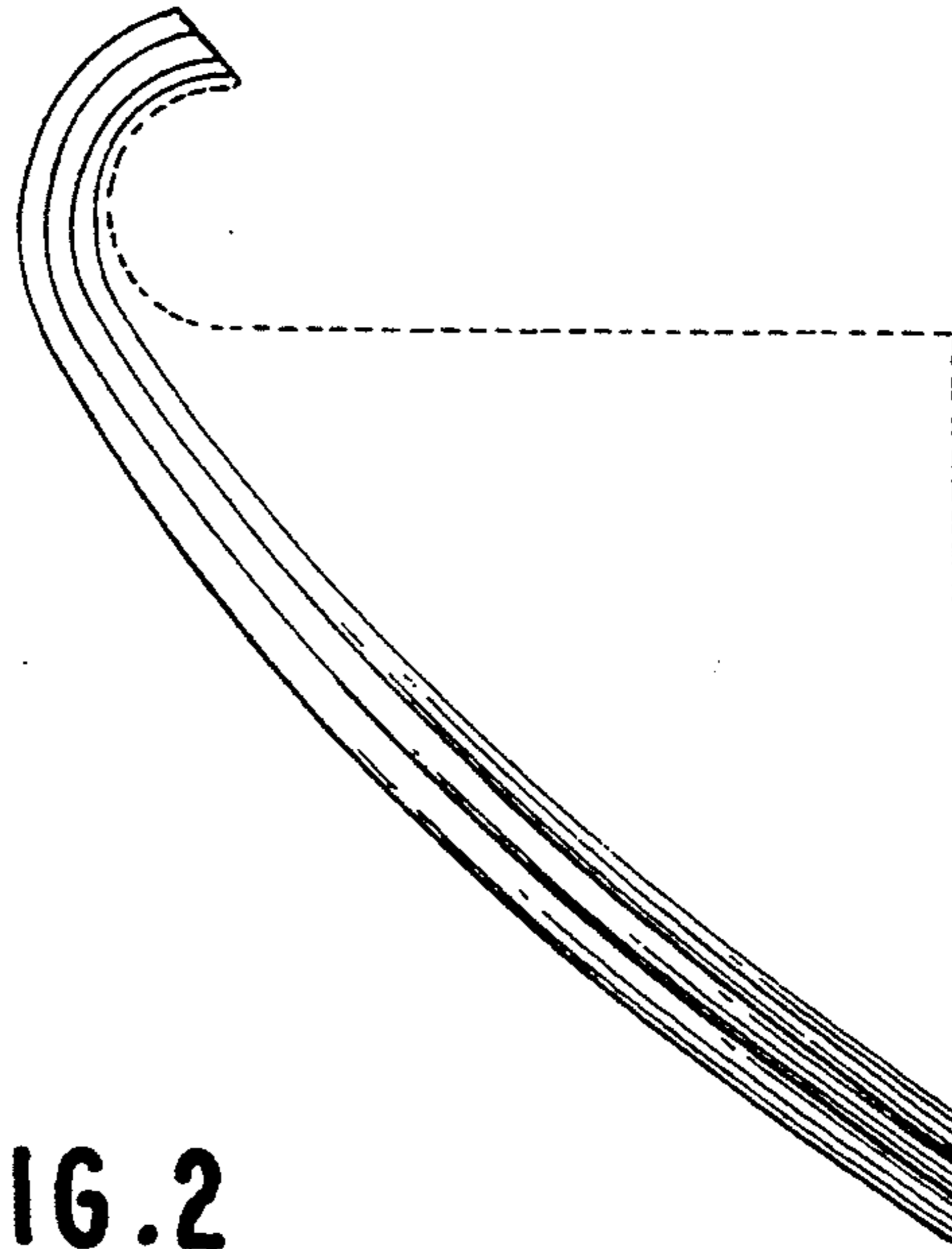


FIG. 2

FIG. 3

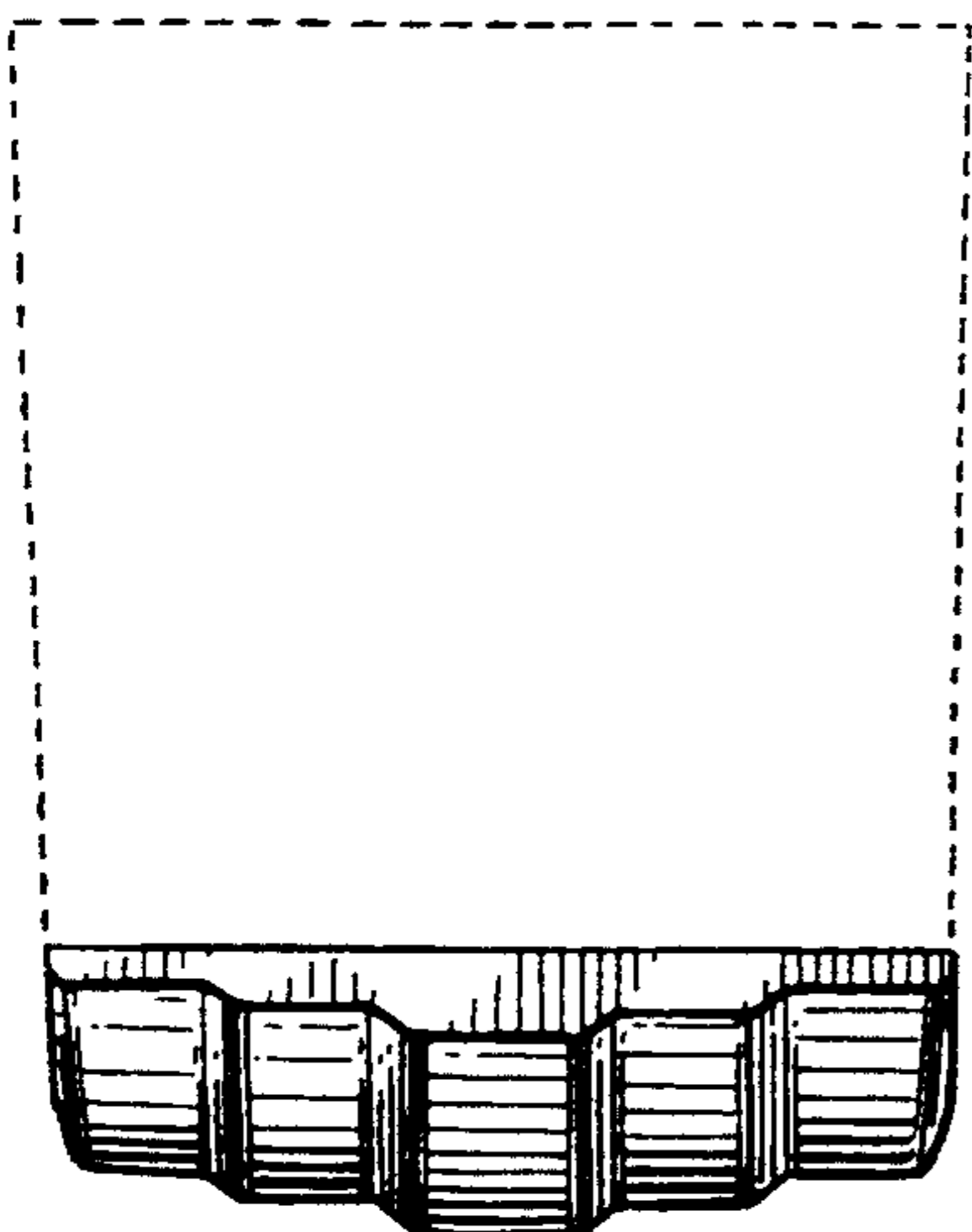


FIG. 4

