



US00D352125S

United States Patent [19]
Hayashibara

[11] **Patent Number: Des. 352,125**

[45] **Date of Patent: ** Nov. 1, 1994**

[54] **ADJUSTABLE DESK LAMP**

[75] **Inventor: Ken Hayashibara, Okayama, Japan**

[73] **Assignee: Kabushiki Kaisha Hayashibara
Seibutsu Kagaku Kenkyujo,
Okayama, Japan**

[**] **Term: 14 Years**

[21] **Appl. No.: 7,398**

[22] **Filed: Apr. 20, 1993**

[30] **Foreign Application Priority Data**

Oct. 21, 1992 [JP]	Japan	4-30967
Oct. 21, 1992 [JP]	Japan	4-30968
Oct. 21, 1992 [JP]	Japan	4-30969
Feb. 19, 1993 [JP]	Japan	5-4400

[52] **U.S. Cl. D26/65**

[58] **Field of Search** 362/418, 419, 427, 413,
362/269, 277; D26/60, 61, 63, 64, 65

[56] **References Cited**

U.S. PATENT DOCUMENTS

D. 281,357	11/1985	Gismondi	D26/63
D. 331,635	12/1992	Matsuda	D26/65
D. 331,813	2/1992	Matsuda	D26/65

Primary Examiner—Susan J. Lucas
Attorney, Agent, or Firm—Browdy and Neimark

[57] **CLAIM**

The ornamental design for an adjustable desk lamp, as shown and described.

DESCRIPTION

FIG. 1 is a top plan view of an adjustable desk lamp in accordance with the present invention;
FIG. 2 is a rear elevational view thereof;
FIG. 3 is a front elevational view thereof;
FIG. 4 is a bottom plan view thereof;
FIG. 5 is a perspective view thereof from the front and left side;
FIG. 6 is a right left side perspective view thereof; and,
FIG. 7 is a left side perspective view thereof.

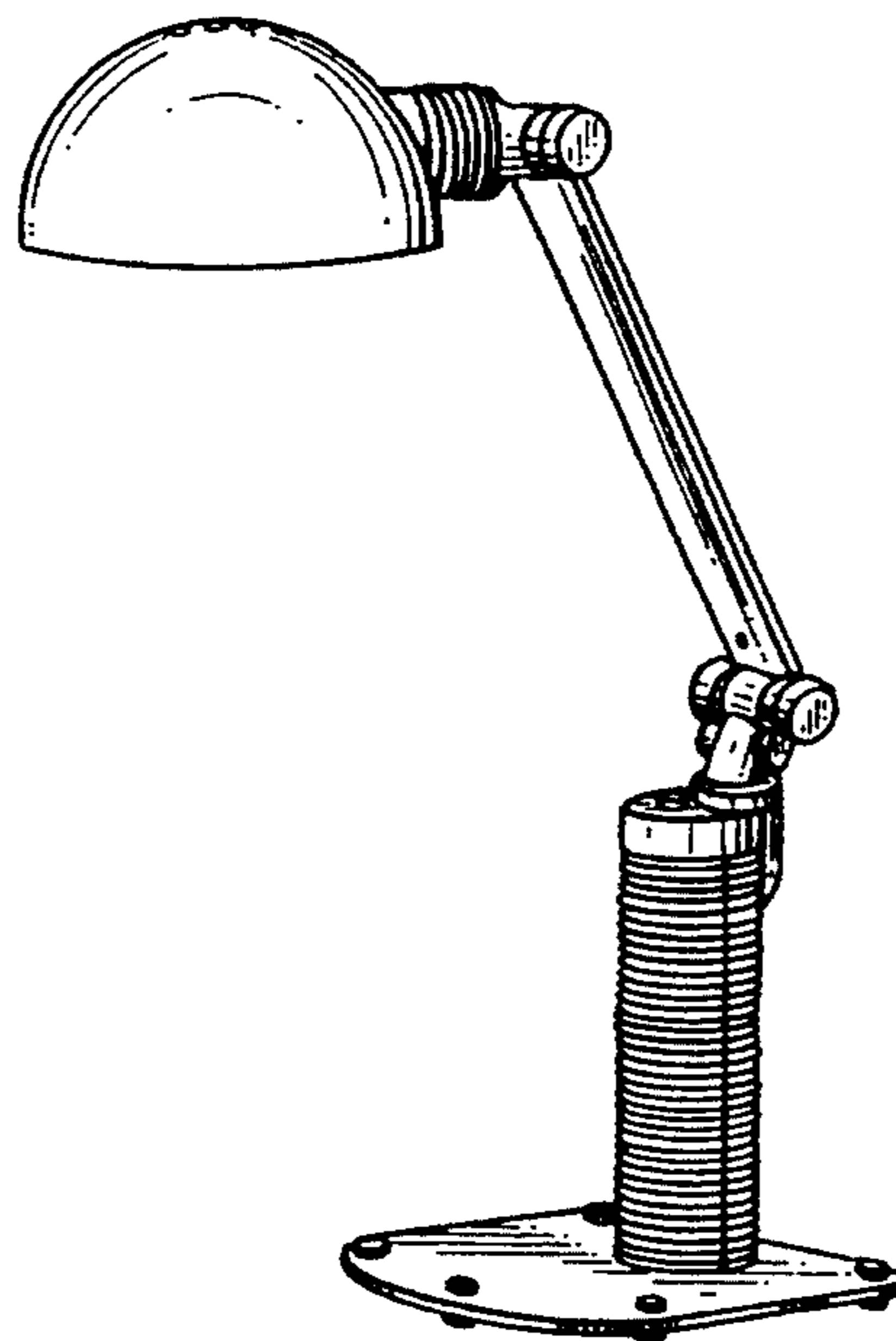


FIG. 1

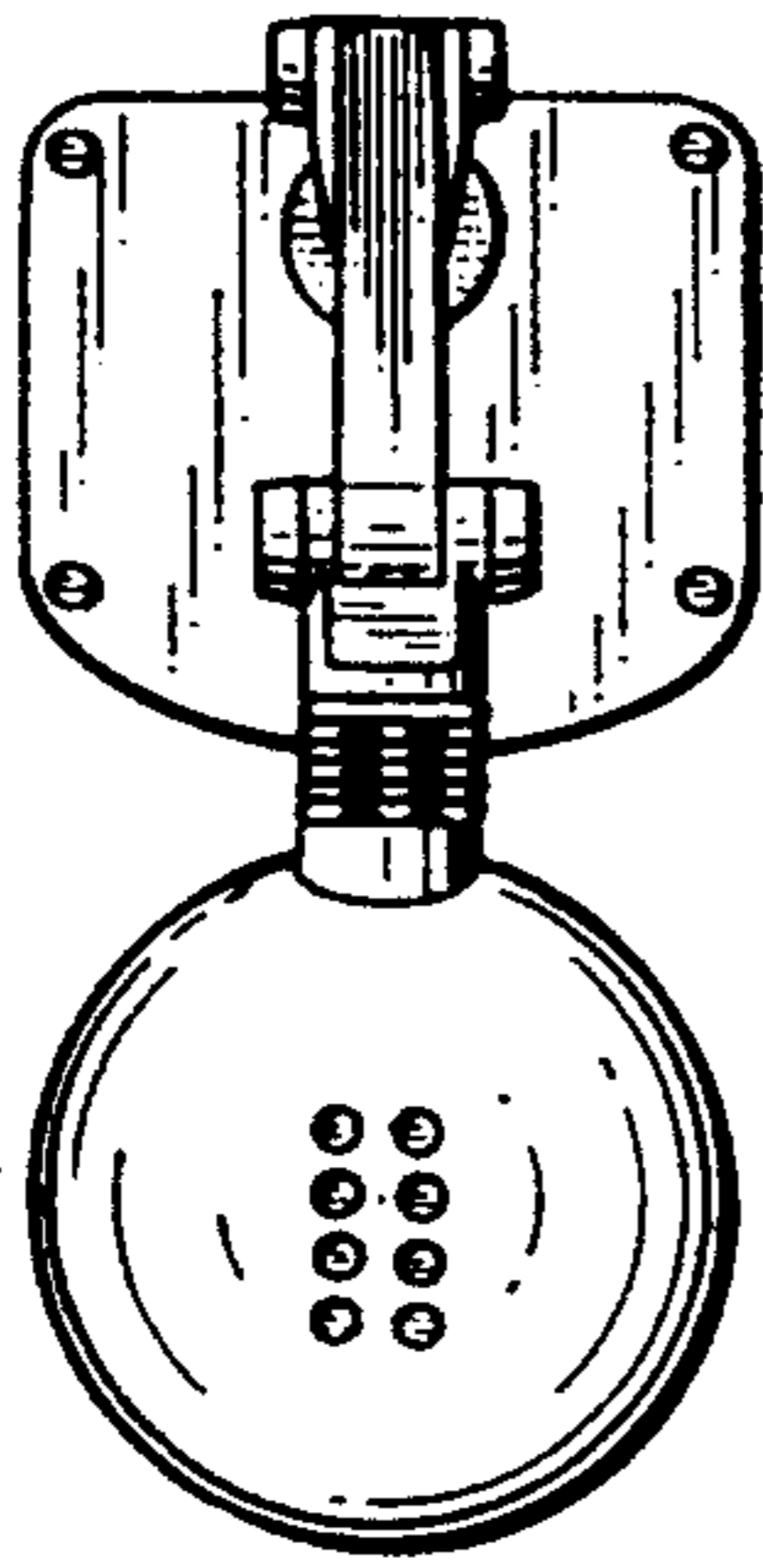


FIG. 2

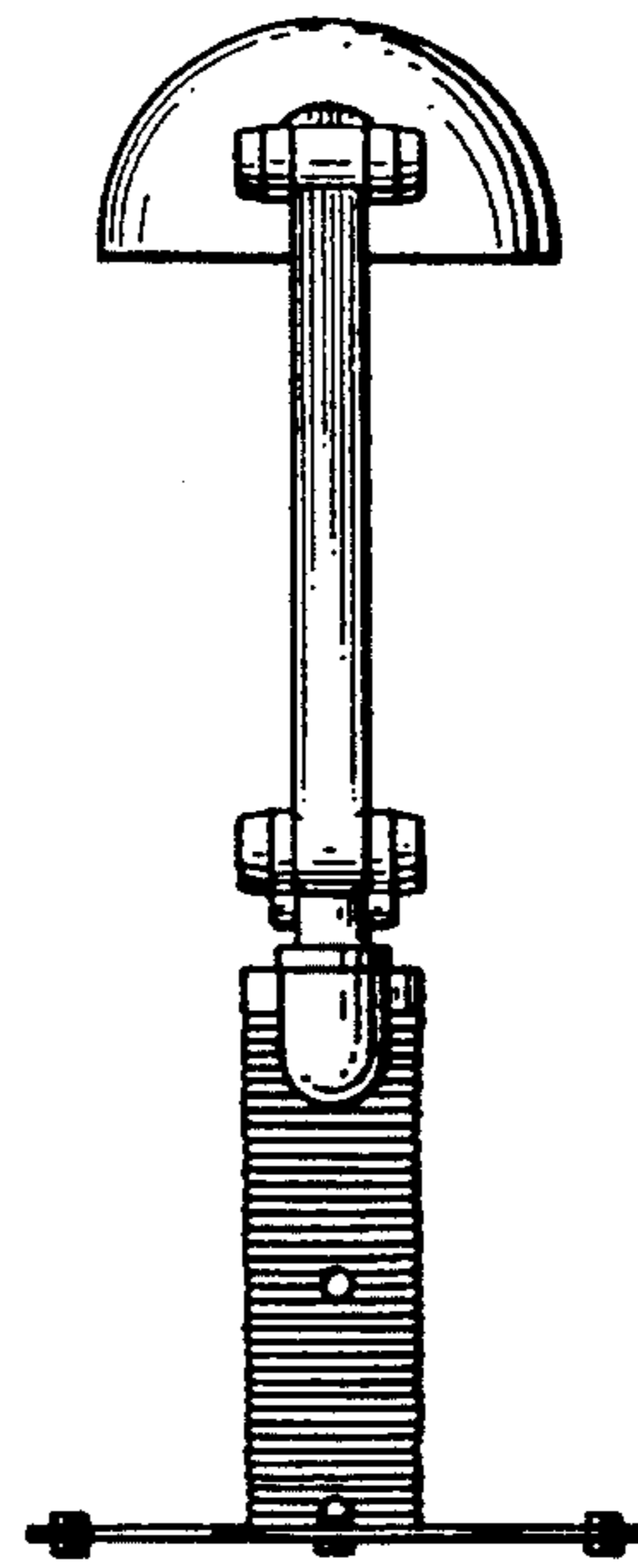


FIG. 3

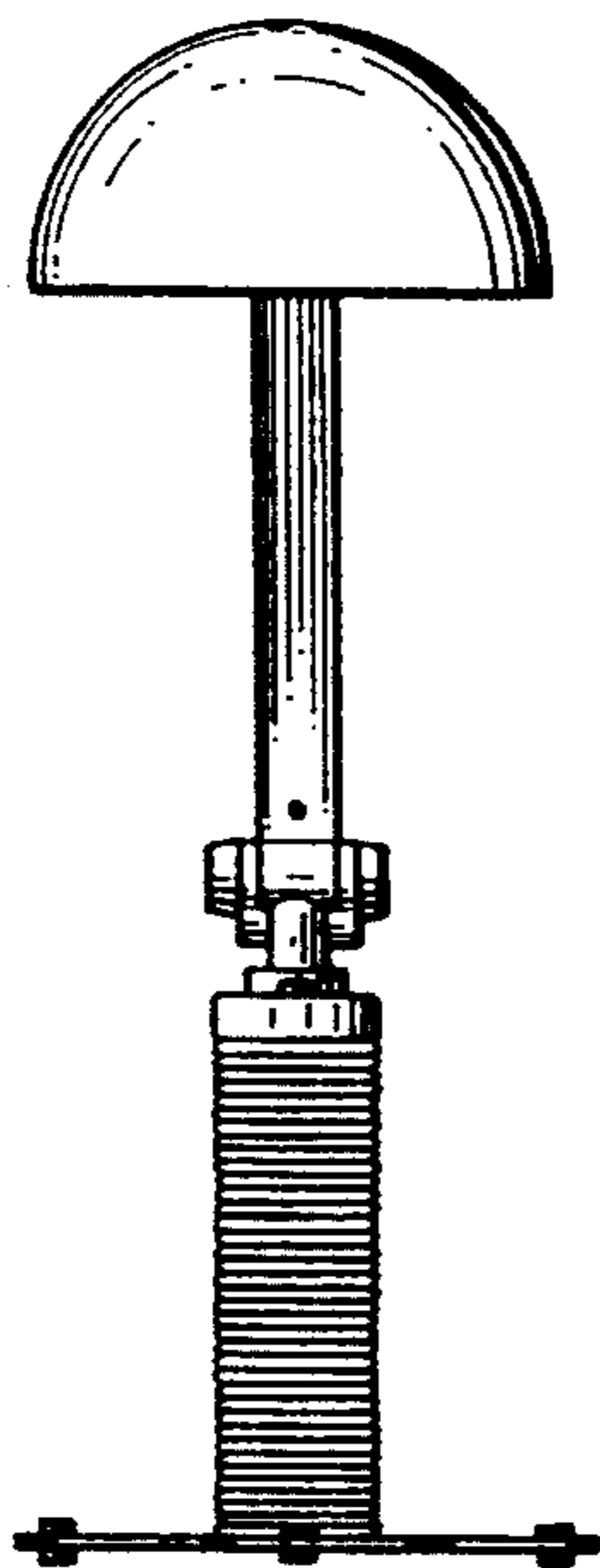


FIG. 4

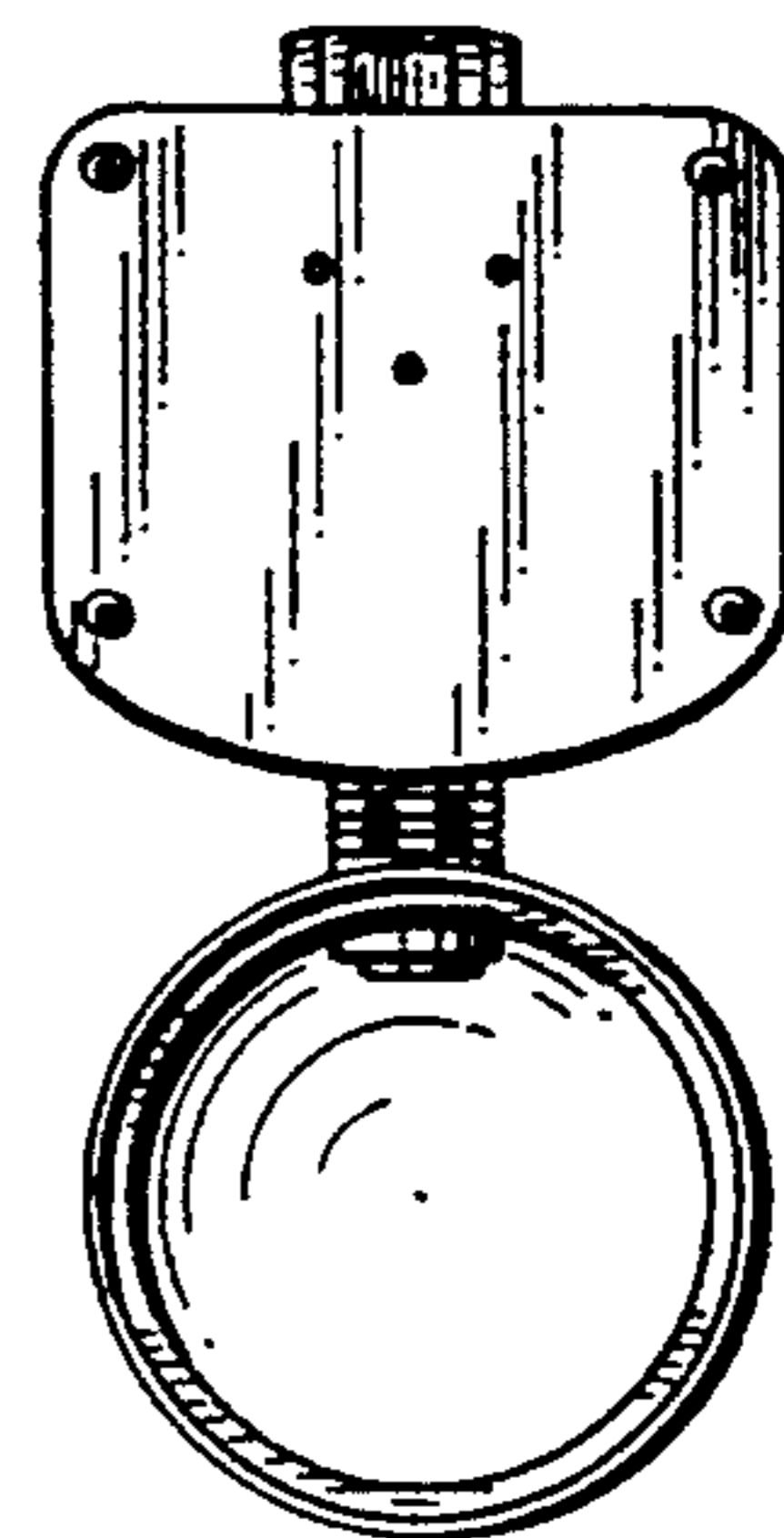


FIG. 5

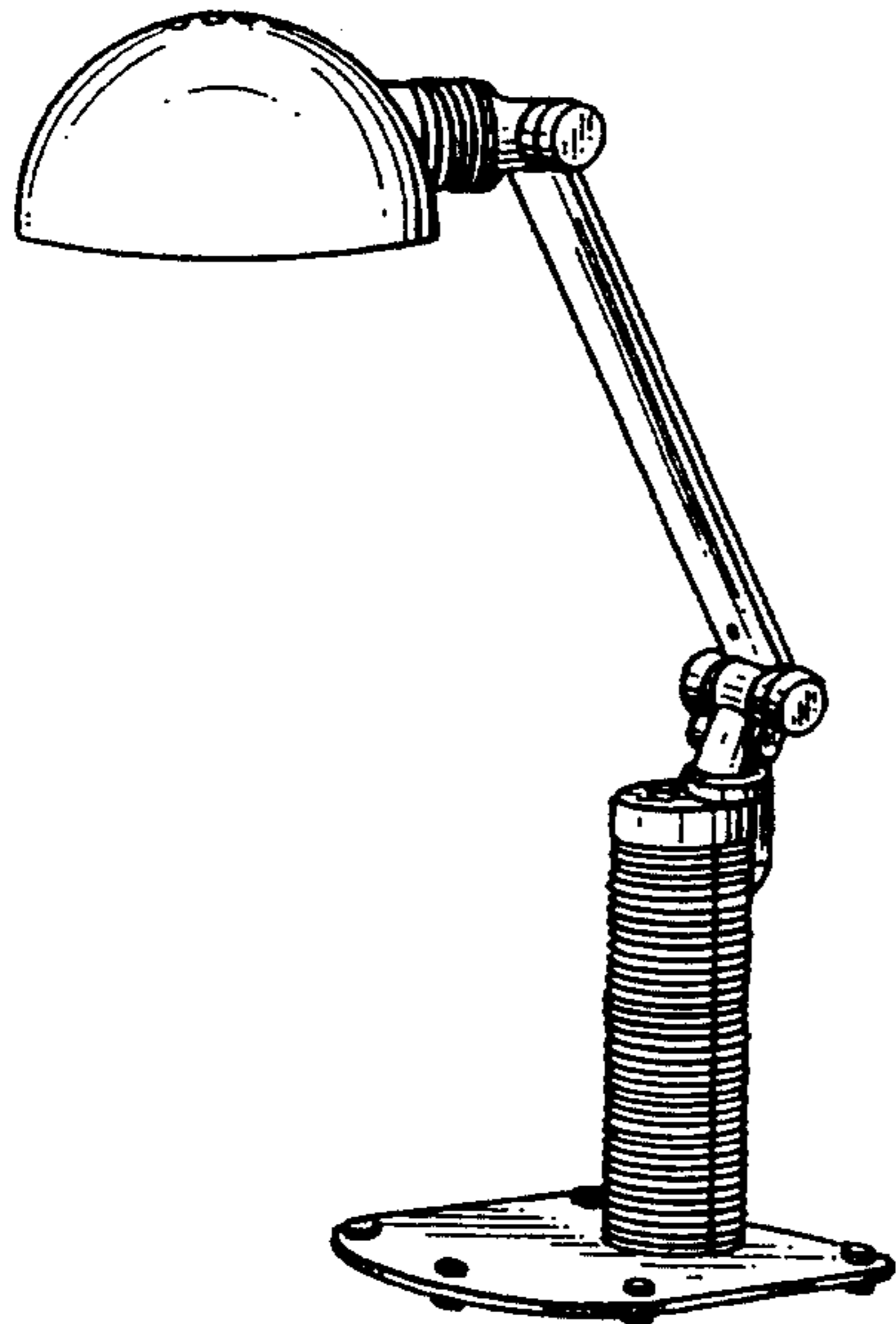


FIG. 6

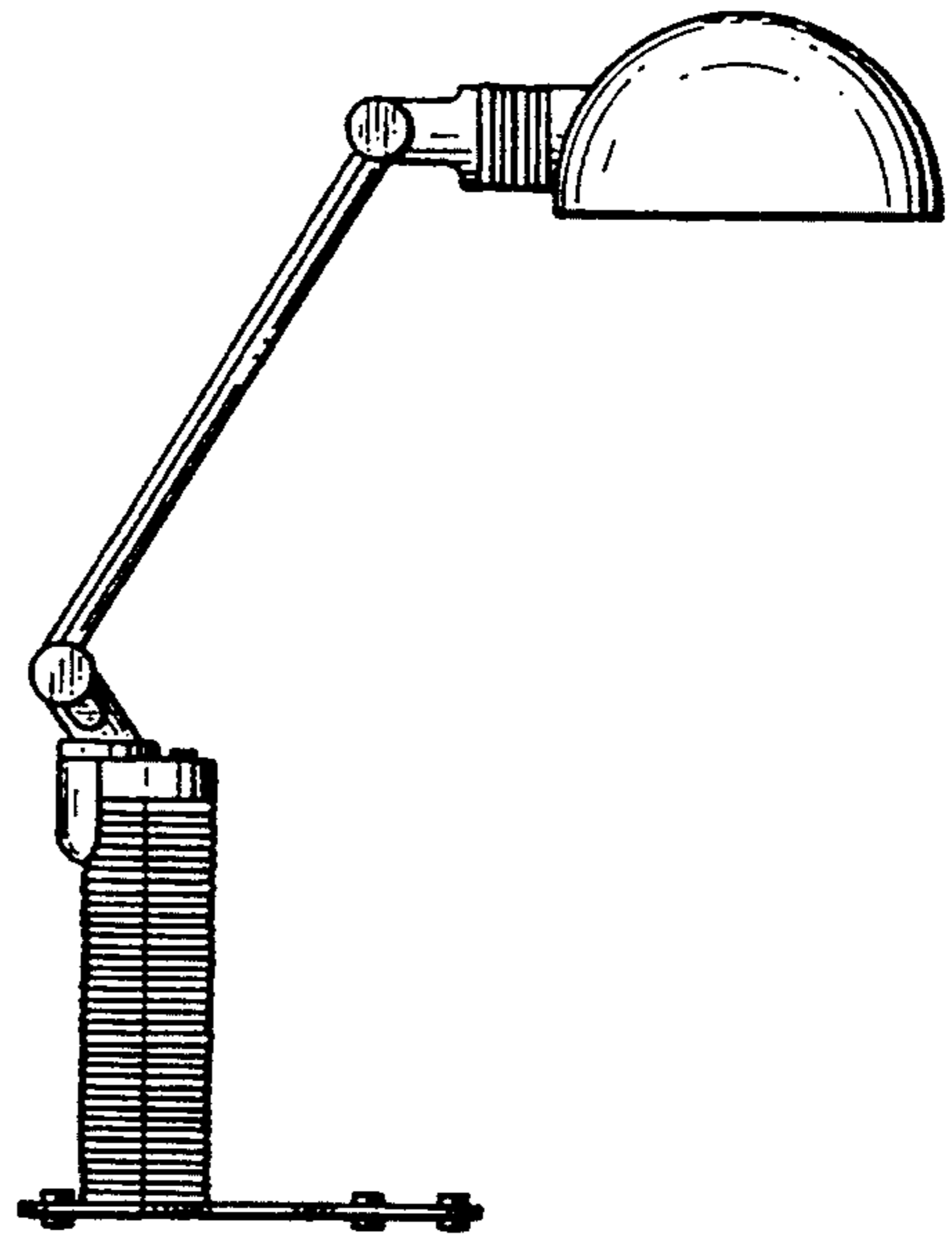


FIG. 7

