



US00D352124S

United States Patent [19]

[11] Patent Number: **Des. 352,124**

Russello et al.

[45] Date of Patent: **** Nov. 1, 1994**

[54] **ADJUSTABLE WALL LIGHTING FIXTURE**

[75] Inventors: **Thomas Russello, Howell; Richard Sangiamo, Linden, both of N.J.**

[73] Assignee: **The Genlyte Group Incorporated, Secaucus, N.J.**

[**] Term: **14 Years**

[21] Appl. No.: **7,608**

[22] Filed: **Apr. 27, 1993**

[52] U.S. Cl. **D26/63; D26/87**

[58] Field of Search **362/269, 277, 418, 419, 362/427, 432, 147; D26/60, 61, 63, 65, 72, 80-92, 138, 140**

[56] **References Cited**

U.S. PATENT DOCUMENTS

- D. 104,401 5/1937 Kanter D26/63
- D. 172,522 6/1954 Stone D26/138
- D. 336,536 6/1993 Shaanan et al. D26/140

FOREIGN PATENT DOCUMENTS

- 985254 3/1976 Canada 362/432

Primary Examiner—Susan J. Lucas
Attorney, Agent, or Firm—Kane, Dalsimer, Sullivan, Kurucz, Levy, Eisele and Richard

[57] **CLAIM**

The ornamental design for adjustable wall lighting fixture, as shown and described.

DESCRIPTION

FIG. 1 is a front perspective view of an adjustable wall lighting fixture showing our new design, the bulb and wall being shown in broken lines for illustrative purposes only;

FIG. 2 is a rear elevational view thereof;

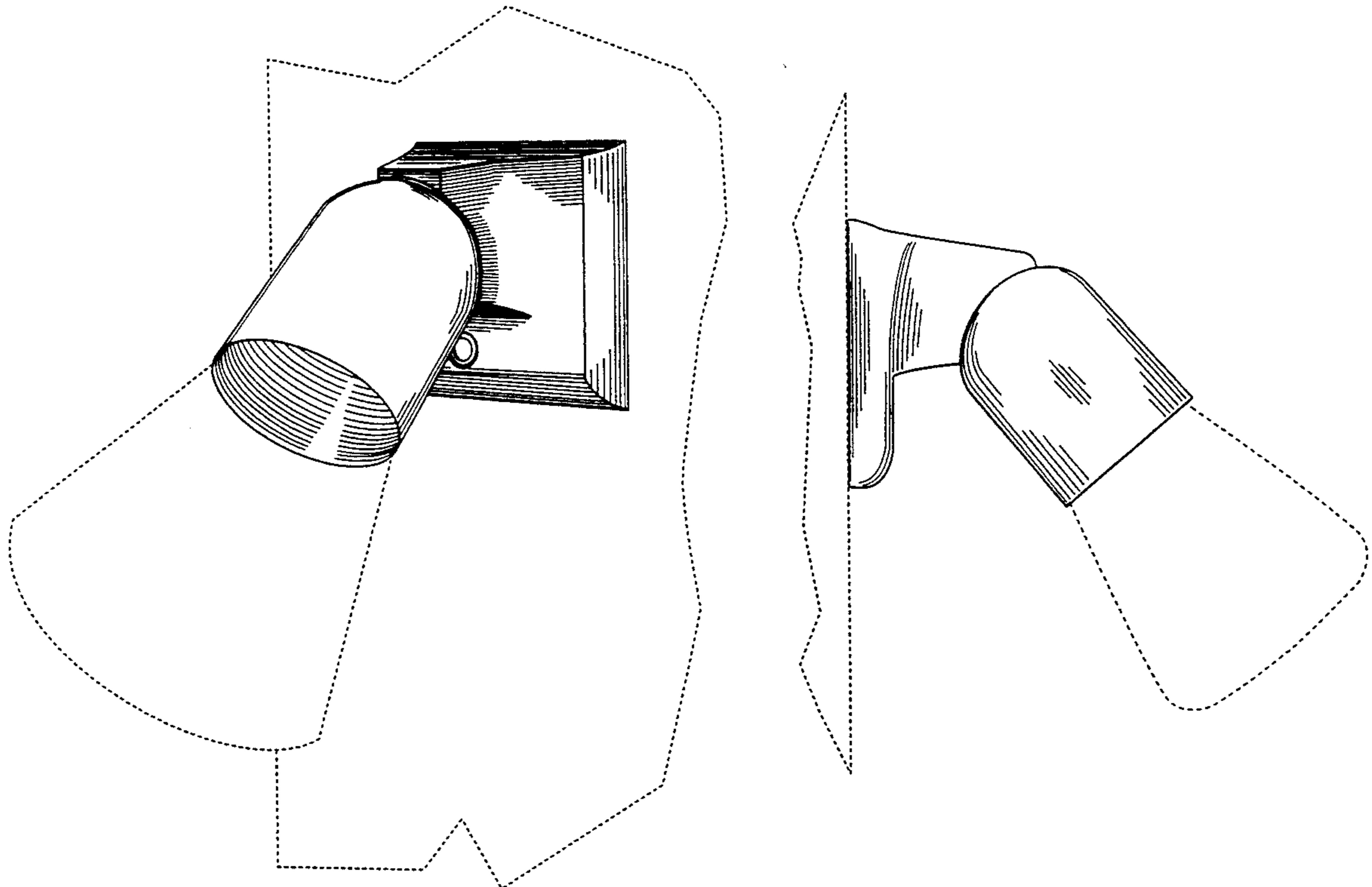
FIG. 3 is a front elevational view;

FIG. 4 is a bottom plan view thereof;

FIG. 5 is a top plan view thereof;

FIG. 6 is a elevational view of a first side thereof; and, FIG. 7 is a elevational view of a second side thereof.

The illustrated design includes a base and a socket assembly as disclosed in the above-identified related utility application. The azimuthal angle of the socket assembly can be adjusted with respect to the base. Likewise, the socket assembly can be rotated. Therefore, only one of an infinite number of possible configurations is illustrated.



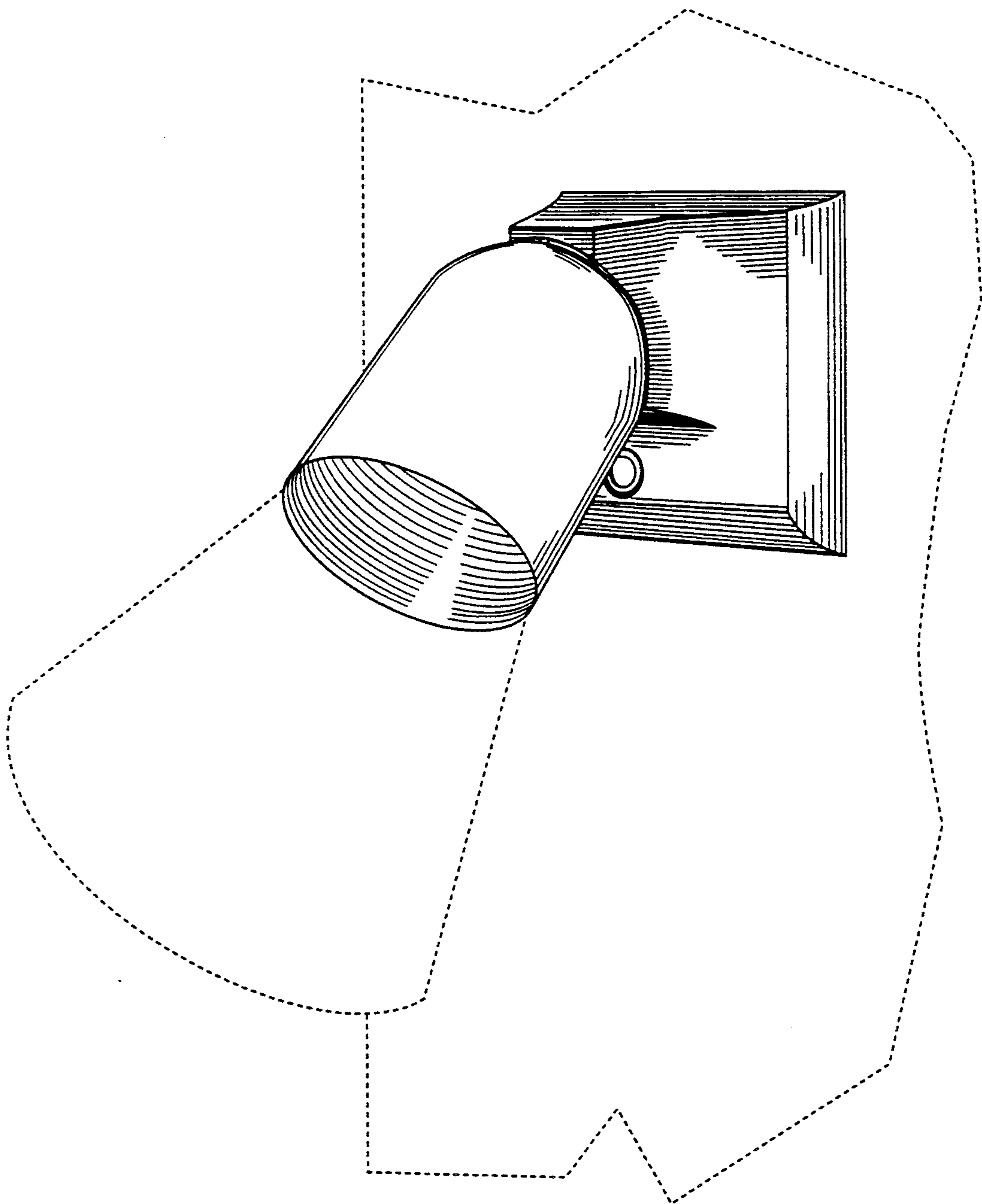


FIG. 1

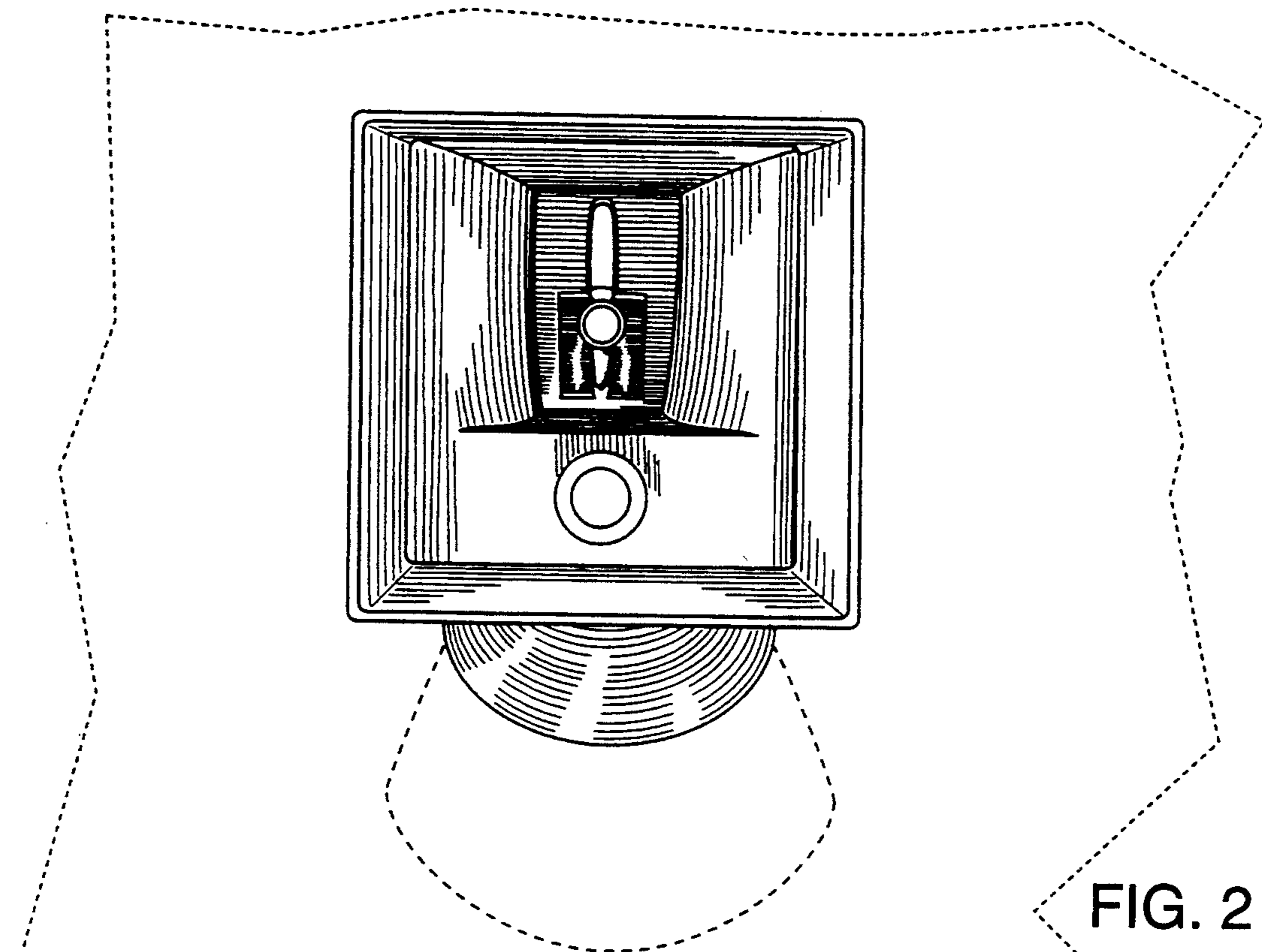


FIG. 2

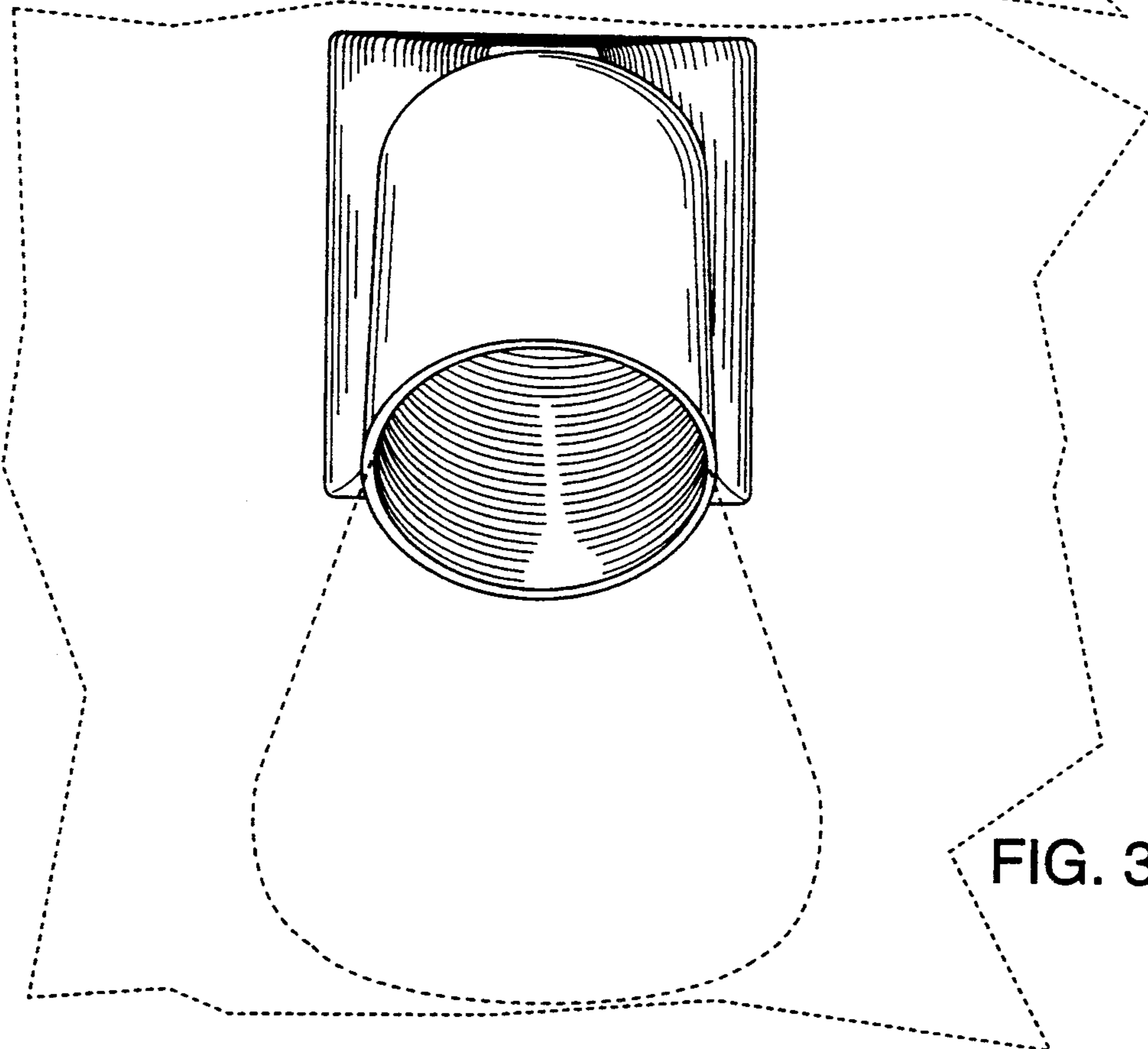


FIG. 3

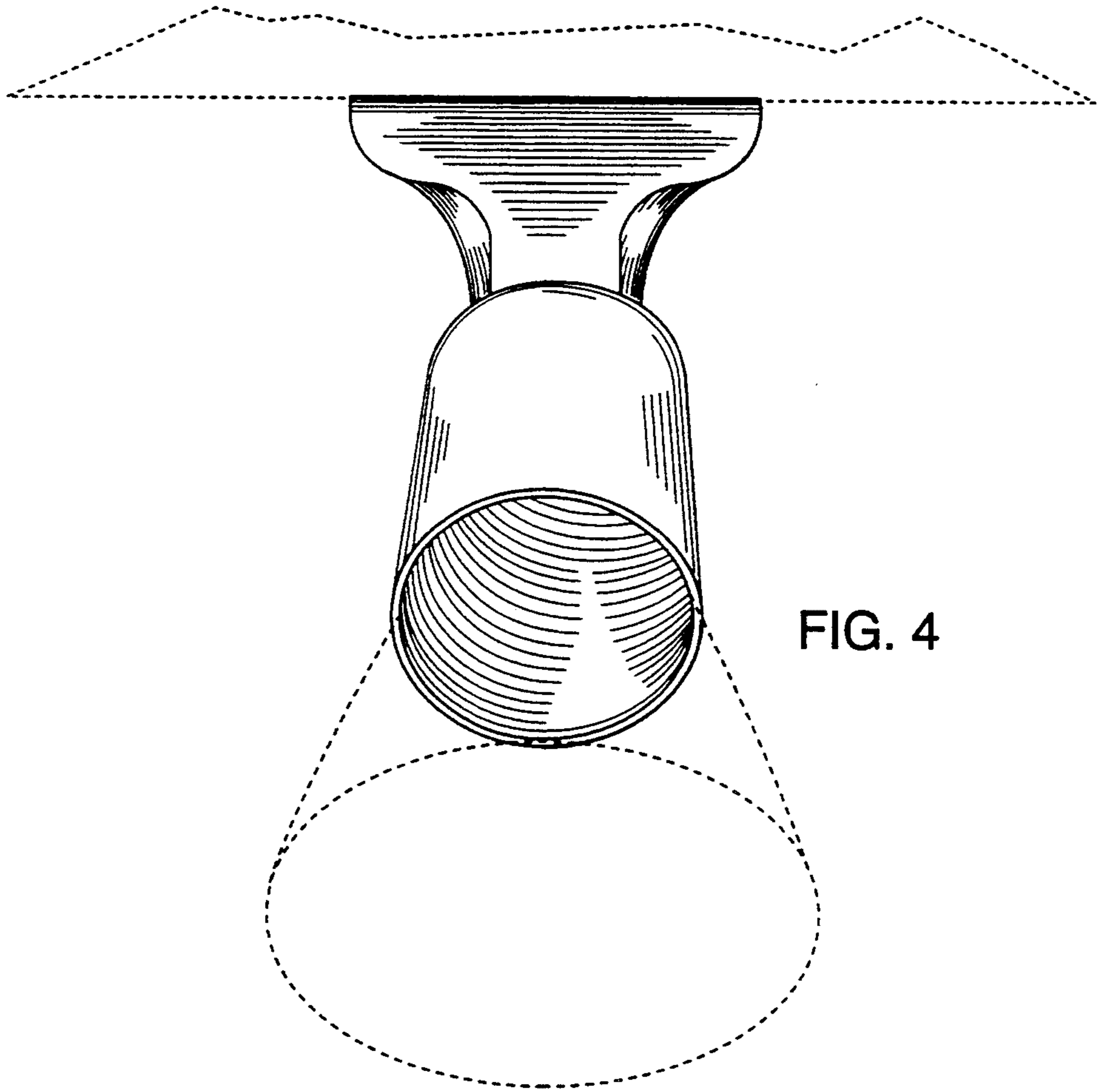


FIG. 4

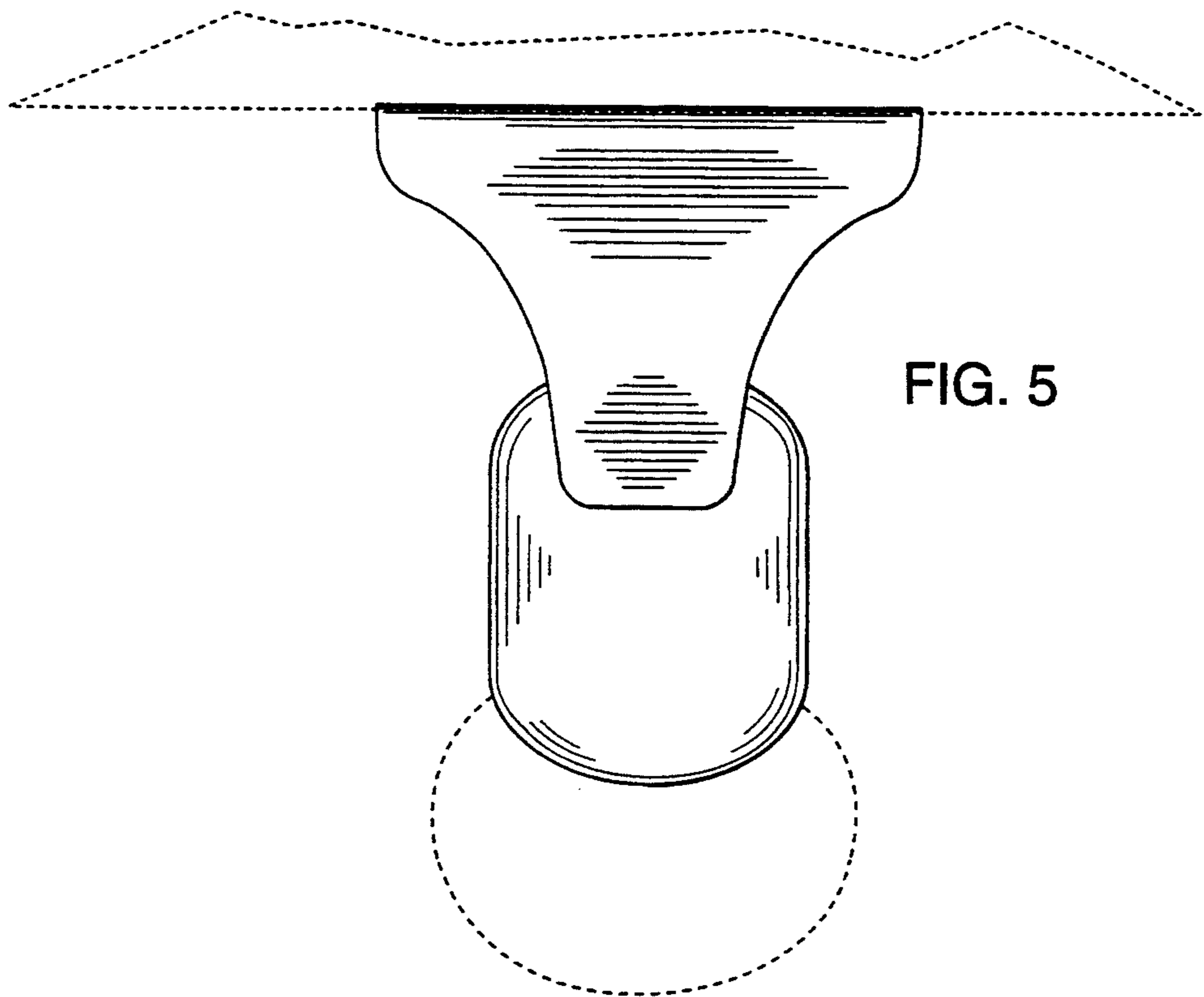


FIG. 5

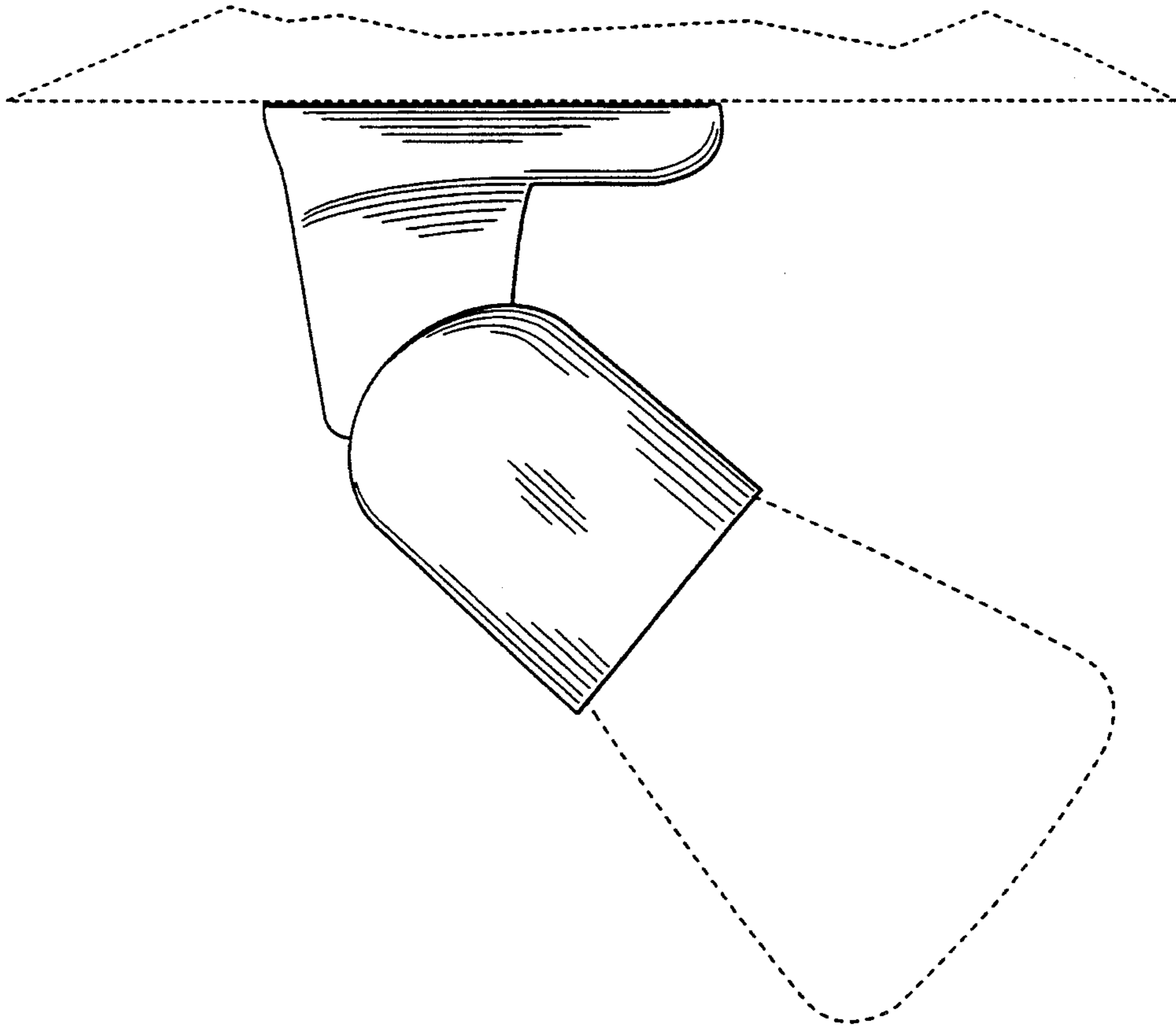


FIG. 6

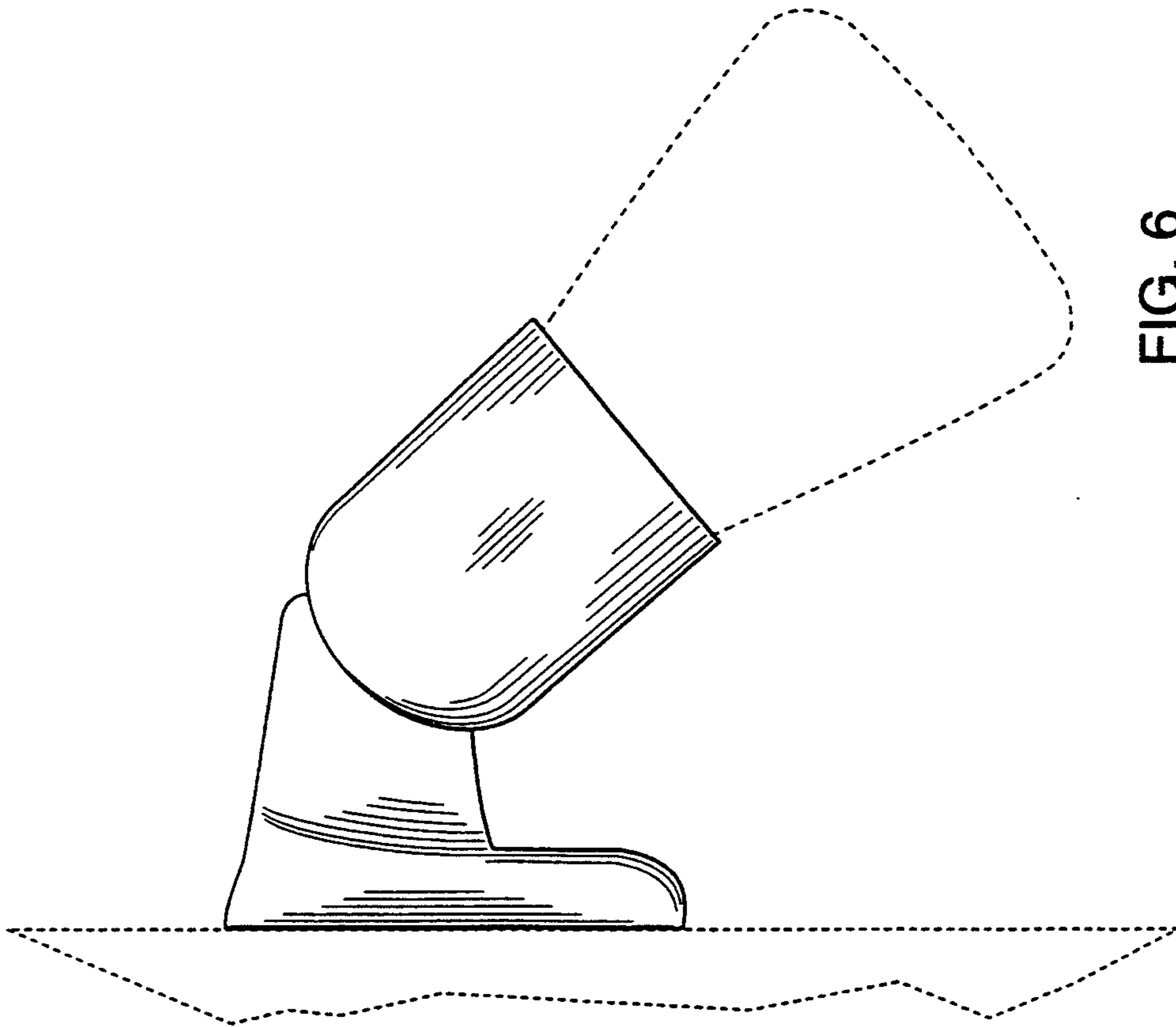


FIG. 7