



US00D352121S

# United States Patent [19]

[11] Patent Number: **Des. 352,121**

Haraden et al.

[45] Date of Patent: **\*\* Nov. 1, 1994**

[54] REFLECTOR LAMP WITH NECK EXTENDER

D. 315,961	4/1991	Kackenmeister et al.	.....	D26/2
4,658,178	4/1987	Bradley et al.	.....	313/113
5,053,935	10/1991	Hellwig et al.	.....	313/113 X
5,254,901	10/1993	Haraden et al.	.....	313/318 X

[75] Inventors: **Thomas Haraden**, Hamilton; **Harold L. Hough**, Beverly; **Peter Gagnon**, Topsfield, all of Mass.; **Joseph Gallant**, Lexington; **Arnold Westlund**, Winchester, both of Ky.

### OTHER PUBLICATIONS

Sylvania Capsylite Lamp Catalog, GTE Products Corp., pp. 1-12, Jan. 1990.  
The Sylvania Miniature Lamp Guide, Catalog #306, back page, no date.  
GTE Claudepoche 1988 General Catalog, p. 55, Dec. 1987.

[73] Assignee: **GTE Products Corporation**, Danvers, Mass.

*Primary Examiner*—Susan J. Lucas  
*Attorney, Agent, or Firm*—Carlo S. Bessone

[\*\*] Term: **14 Years**

[21] Appl. No.: **2,726**

### [57] CLAIM

[22] Filed: **Dec. 17, 1992**

[52] U.S. Cl. .... **D26/2**

[58] Field of Search ..... 313/315, 318, 25, 113;  
315/56, 57, 58, 63; 362/296, 310, 341; D26/1, 2,  
3, 26

The ornamental design for a reflector lamp with neck extender, as shown and described.

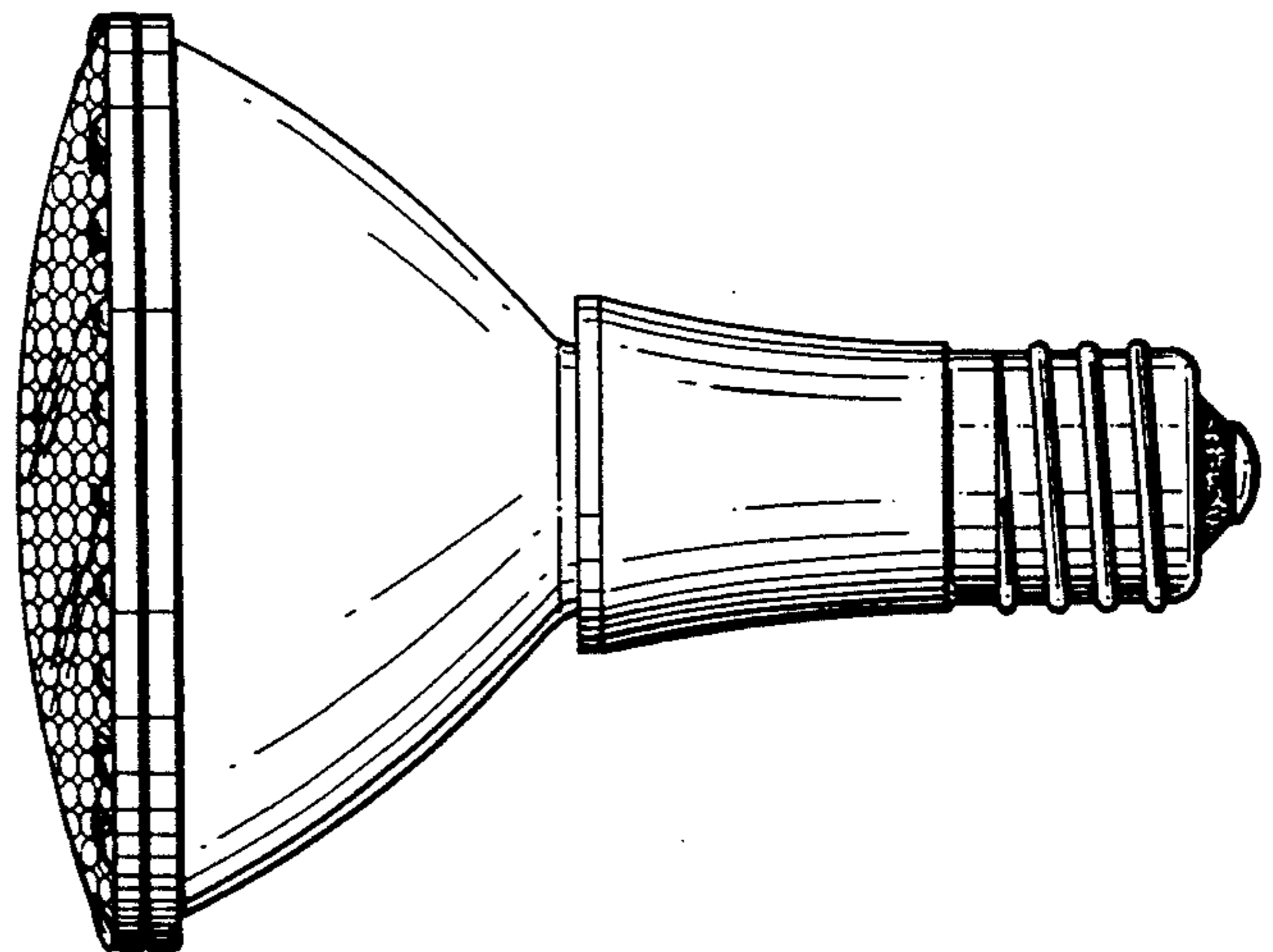
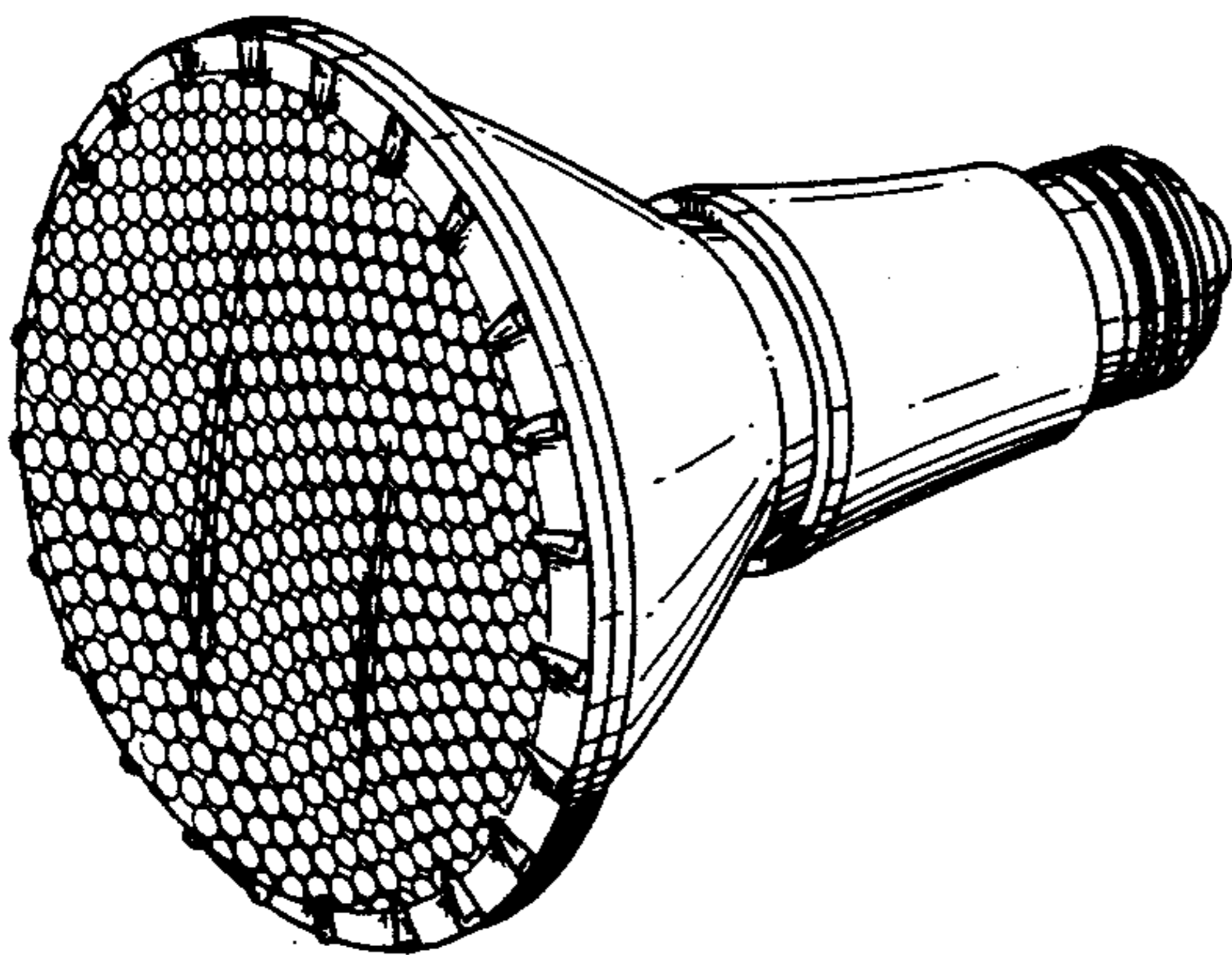
### DESCRIPTION

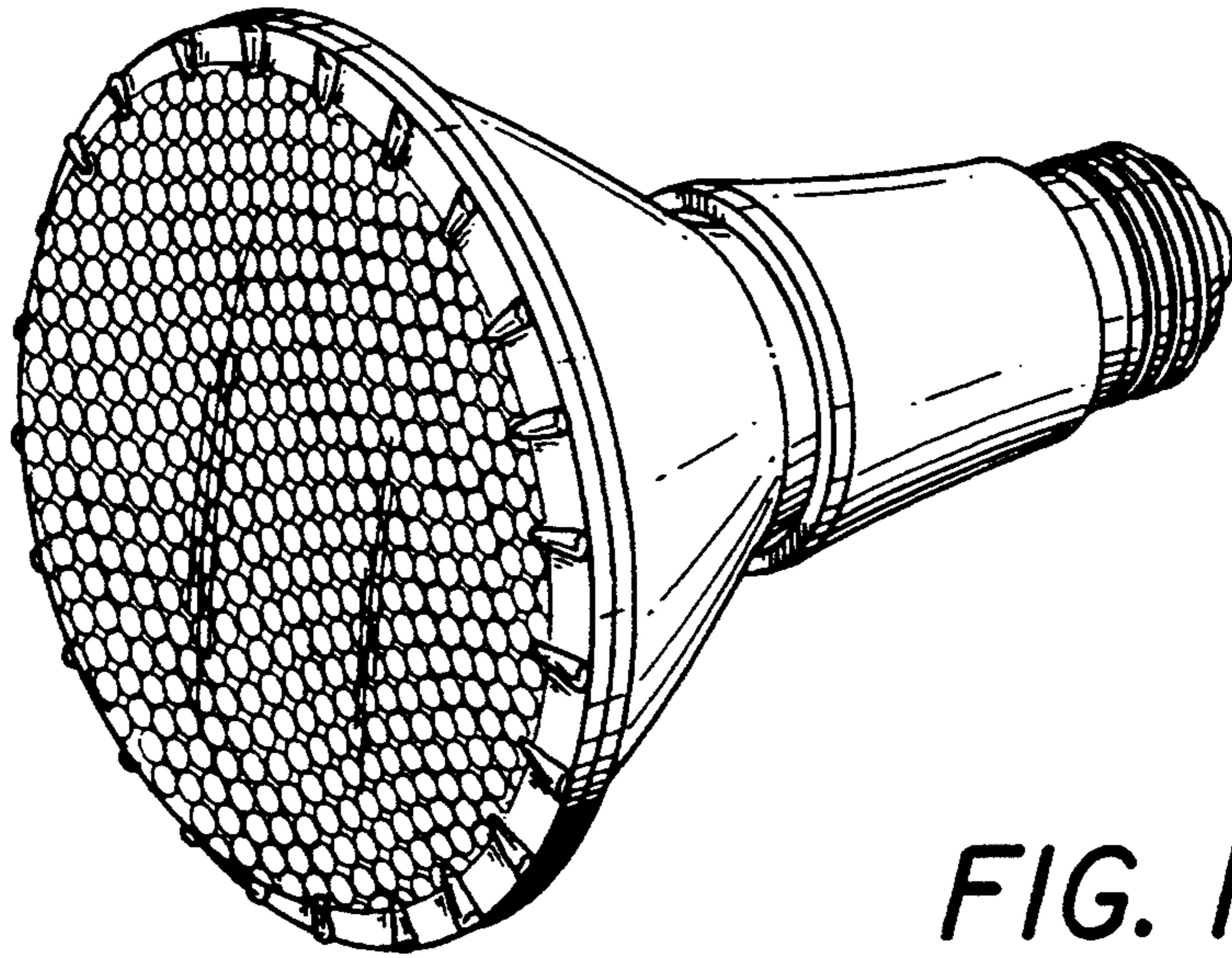
### [56] References Cited

#### U.S. PATENT DOCUMENTS

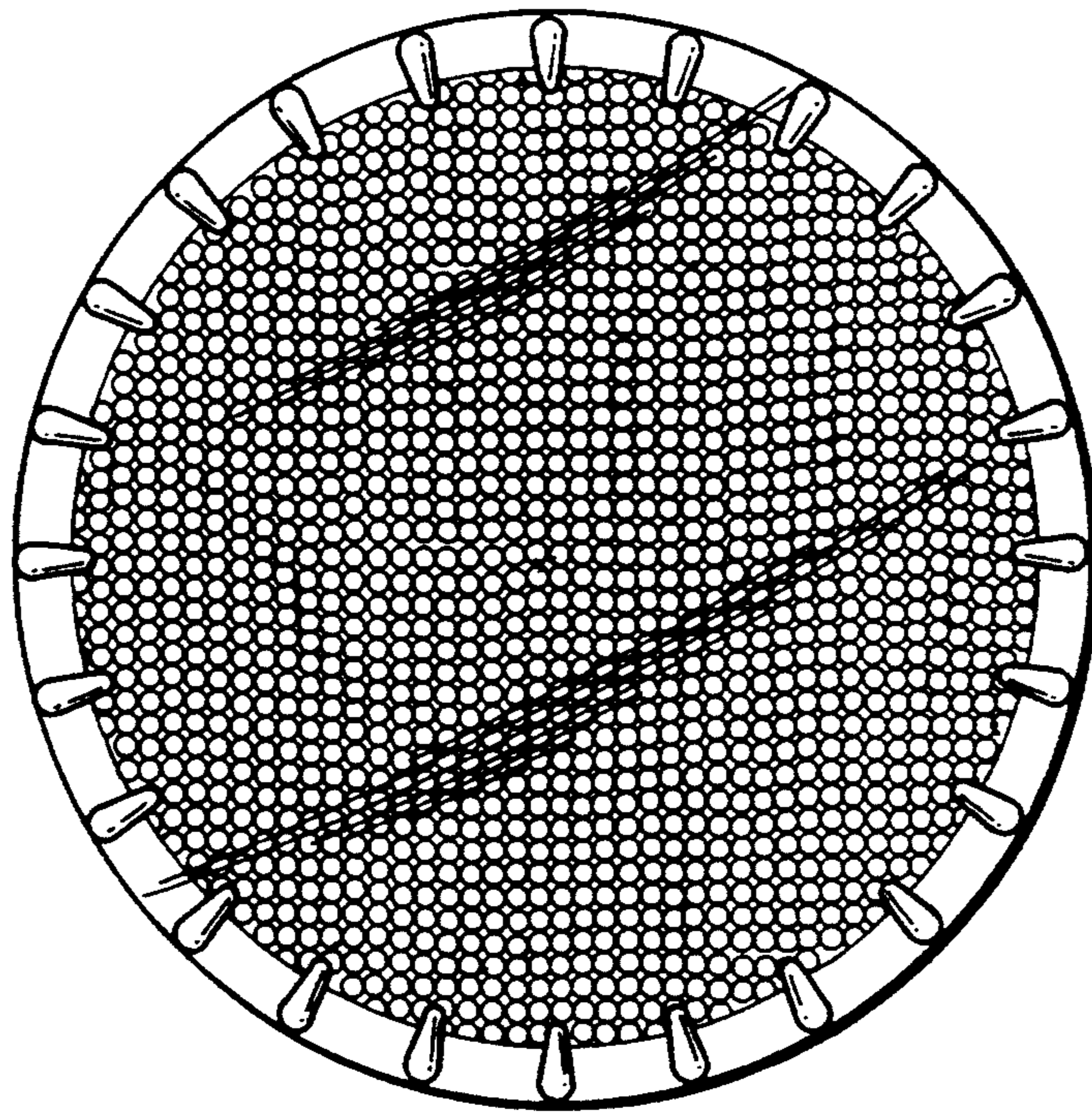
D. 301,069	5/1989	Benson et al.	.....	D26/2
D. 309,503	7/1990	Benson et al.	.....	D26/2

FIG. 1 is a perspective view of a reflector lamp with a neck extender showing our new design;  
FIG. 2 is a front view thereof;  
FIG. 3 is a side view thereof; and,  
FIG. 4 is a rear view thereof.

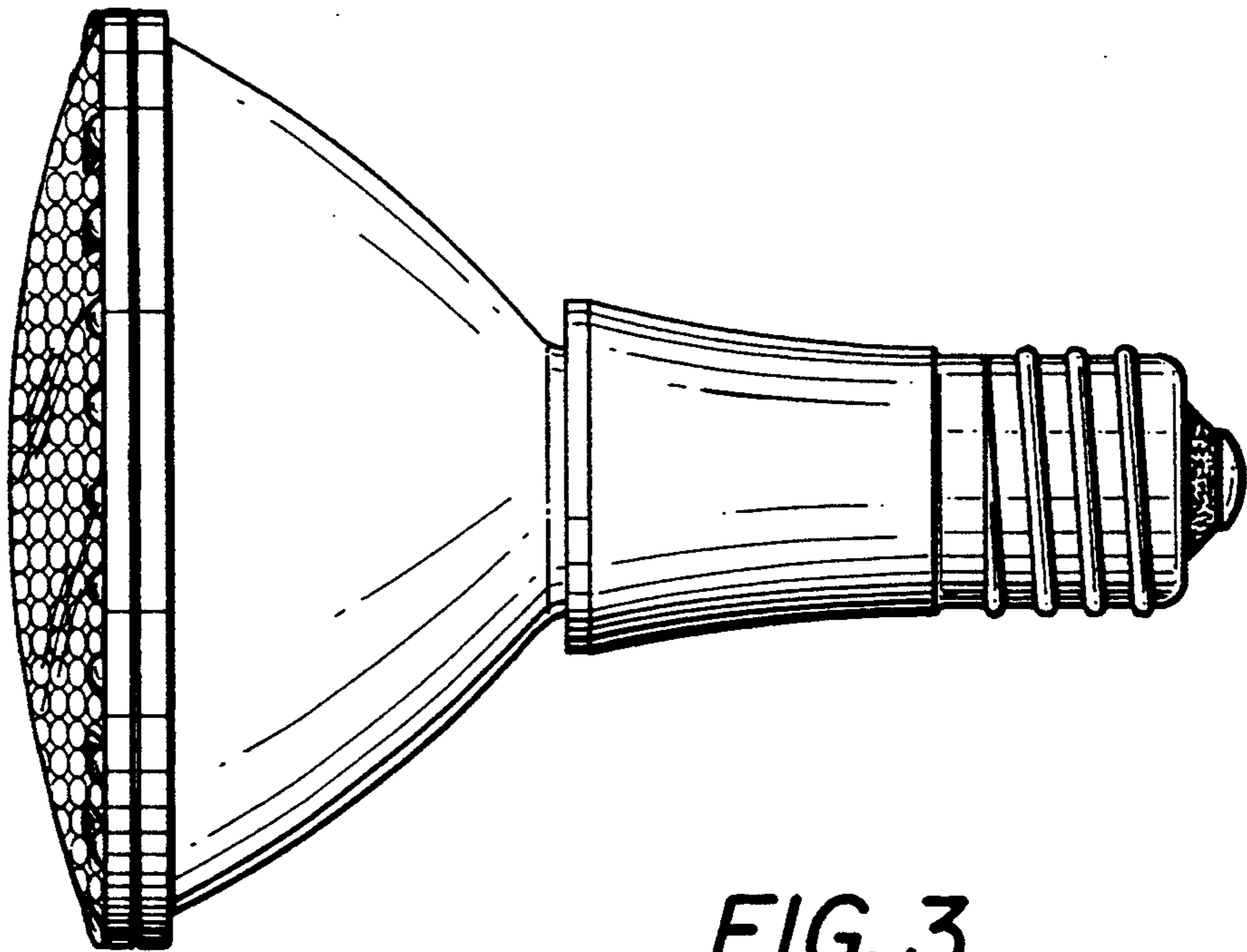




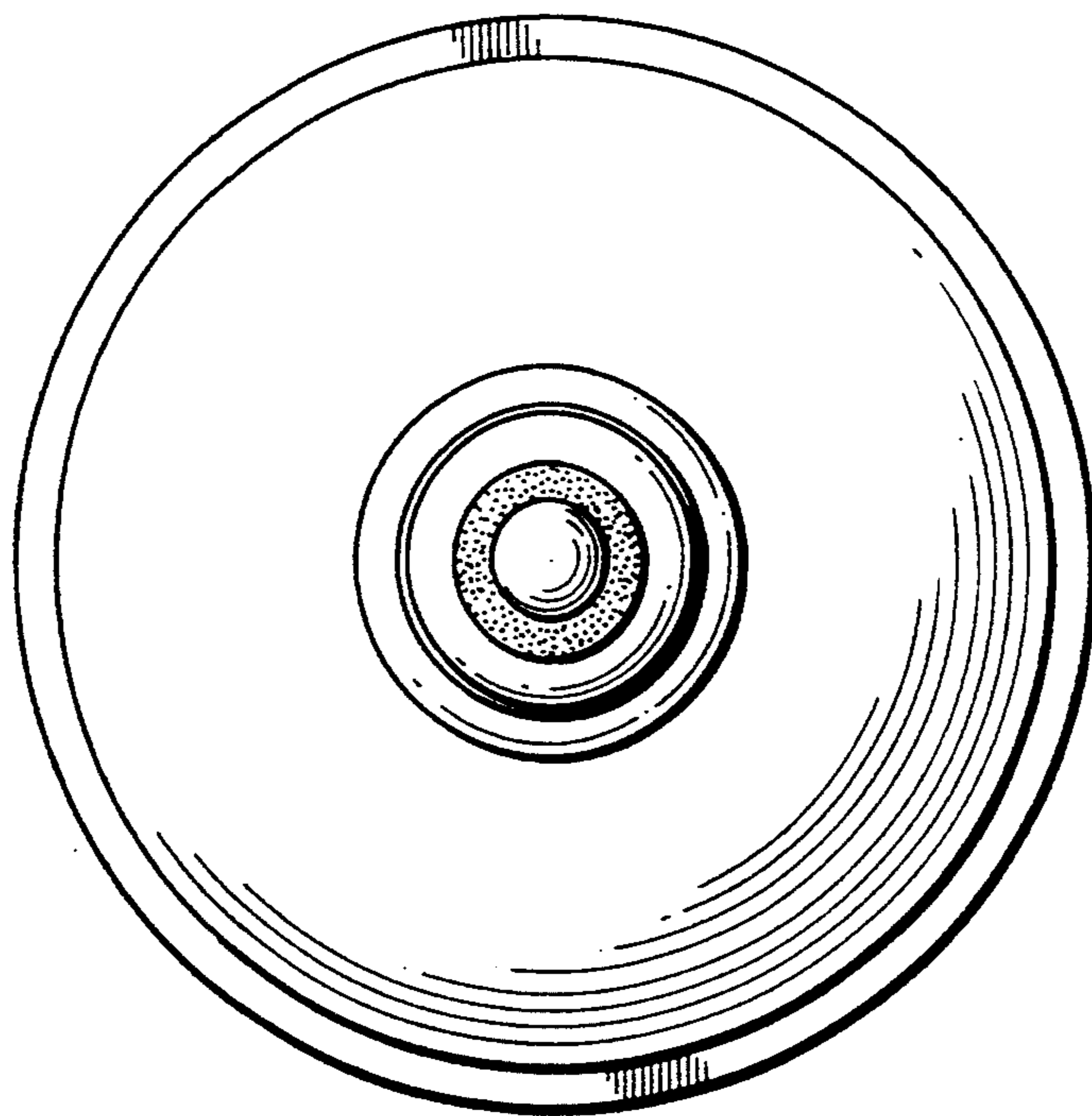
*FIG. 1*



*FIG. 2*



*FIG. 3*



*FIG. 4*