



US00D352120S

United States Patent [19]

[11] Patent Number: **Des. 352,120**

Haraden et al.

[45] Date of Patent: **** Nov. 1, 1994**

[54] **REFLECTOR LAMP WITH NECK EXTENDER**

[75] Inventors: **Thomas Haraden**, Hamilton; **Harold L. Hough**, Beverly; **Peter Gagnon**, Topsfield, all of Mass.; **Joseph Gallant**, Lexington; **Arnold Westlund**, Winchester, both of Ky.

[73] Assignee: **GTE Products Corporation**, Danvers, Mass.

[**] Term: **14 Years**

[21] Appl. No.: **2,700**

[22] Filed: **Dec. 16, 1992**

[52] U.S. Cl. **D26/2**

[58] Field of Search 313/315, 318, 25, 113; 315/56, 57, 58, 63; 362/310, 341, 286; D26/1, 2, 3

D. 315,961 4/1991 Kackenmeister et al. D26/2
4,658,178 4/1987 Bradley et al. 313/113
5,053,935 10/1991 Hellwig et al. 313/113 X
5,254,901 10/1993 Haraden et al. 313/318 X

OTHER PUBLICATIONS

Sylvania Capsylite Lamp Catalog, GTE Products Corp., pp. 1-12, Jan. 1990.

The Sylvania Miniature Lamp Guide, Catalog #306, back page, no date.

GTE Claudepoche 1988 General Catalog, p. 55, Dec. 1987.

Primary Examiner—Susan J. Lucas

Attorney, Agent, or Firm—Carlo S. Bessone

[57] **CLAIM**

The ornamental design for a reflector lamp with neck extender, as shown and described.

DESCRIPTION

FIG. 1 is a perspective view of a reflector lamp with a neck extender showing our new design;

FIG. 2 is a front view thereof;

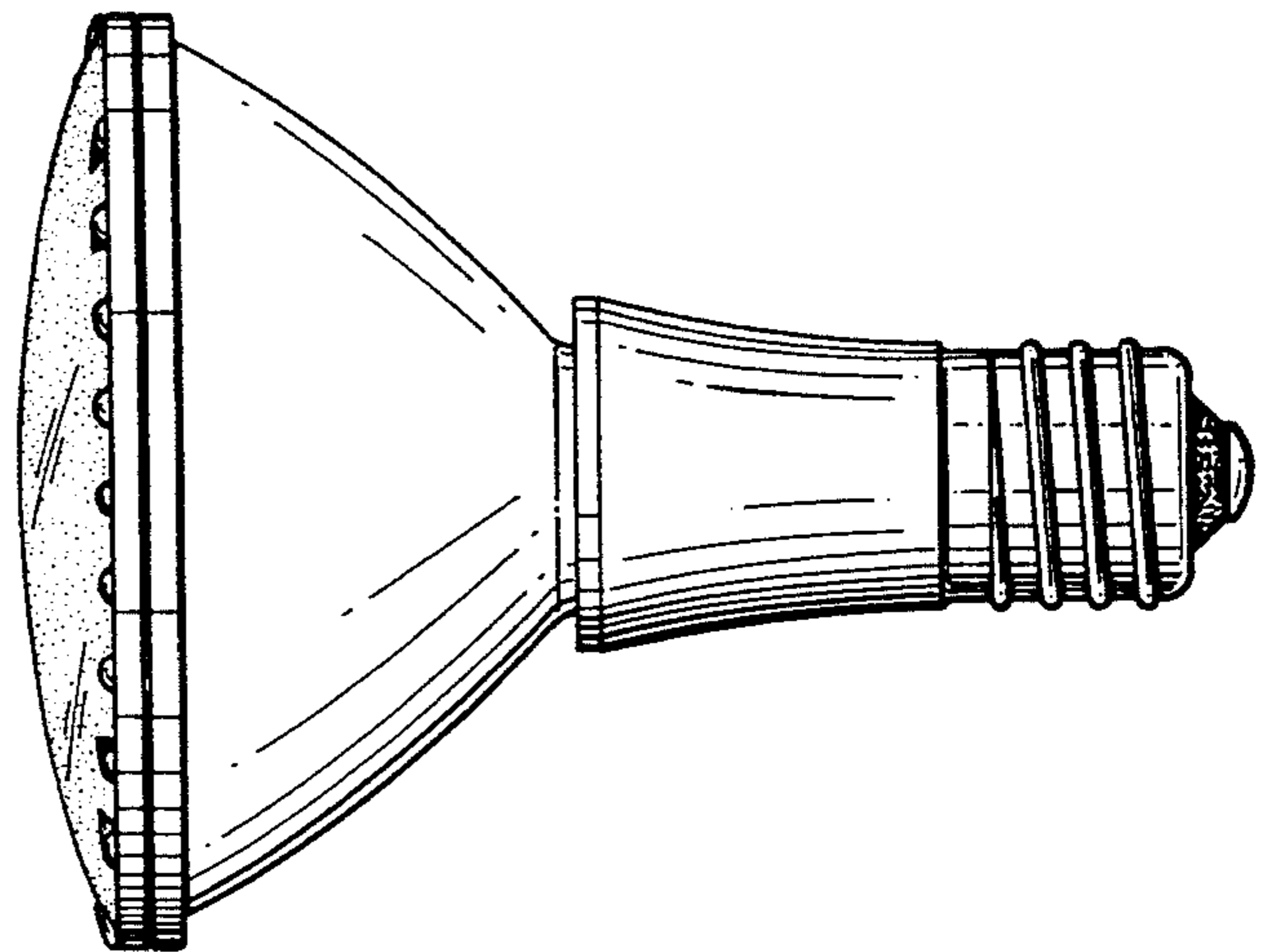
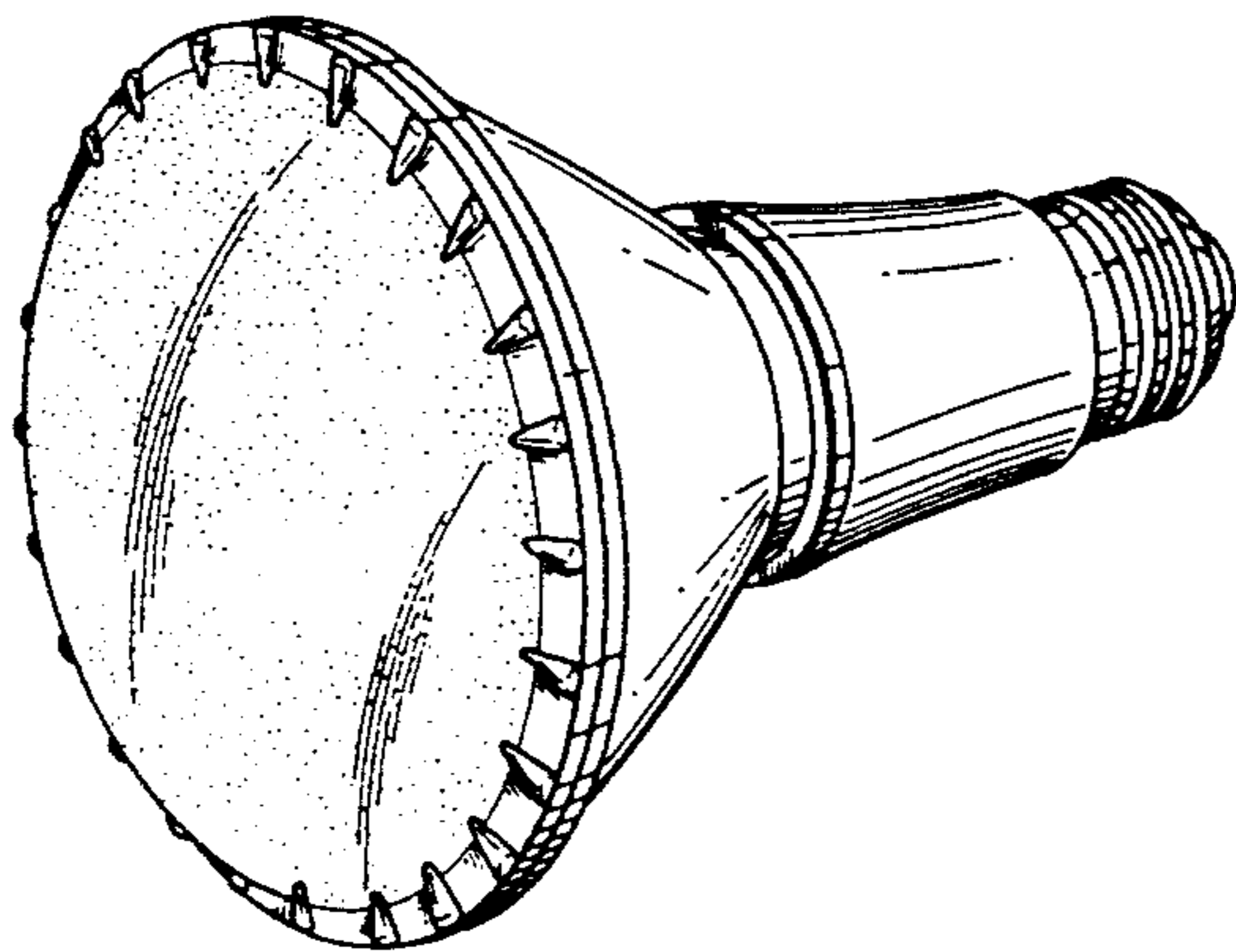
FIG. 3 is a side view thereof; and,

FIG. 4 is a rear view thereof.

[56] **References Cited**

U.S. PATENT DOCUMENTS

D. 301,069 5/1989 Benson et al. D26/2
D. 309,503 7/1990 Benson et al. D26/2



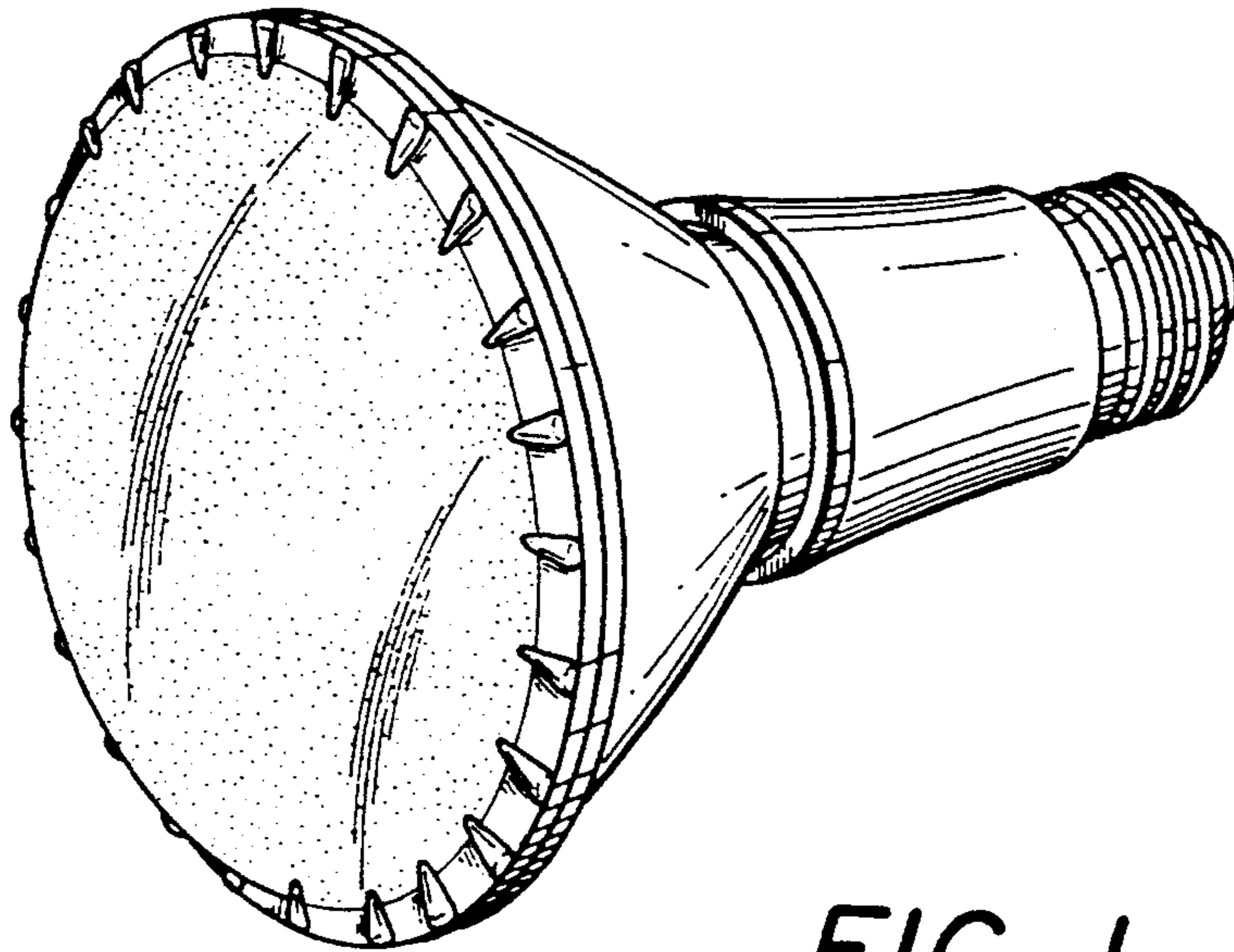


FIG. 1

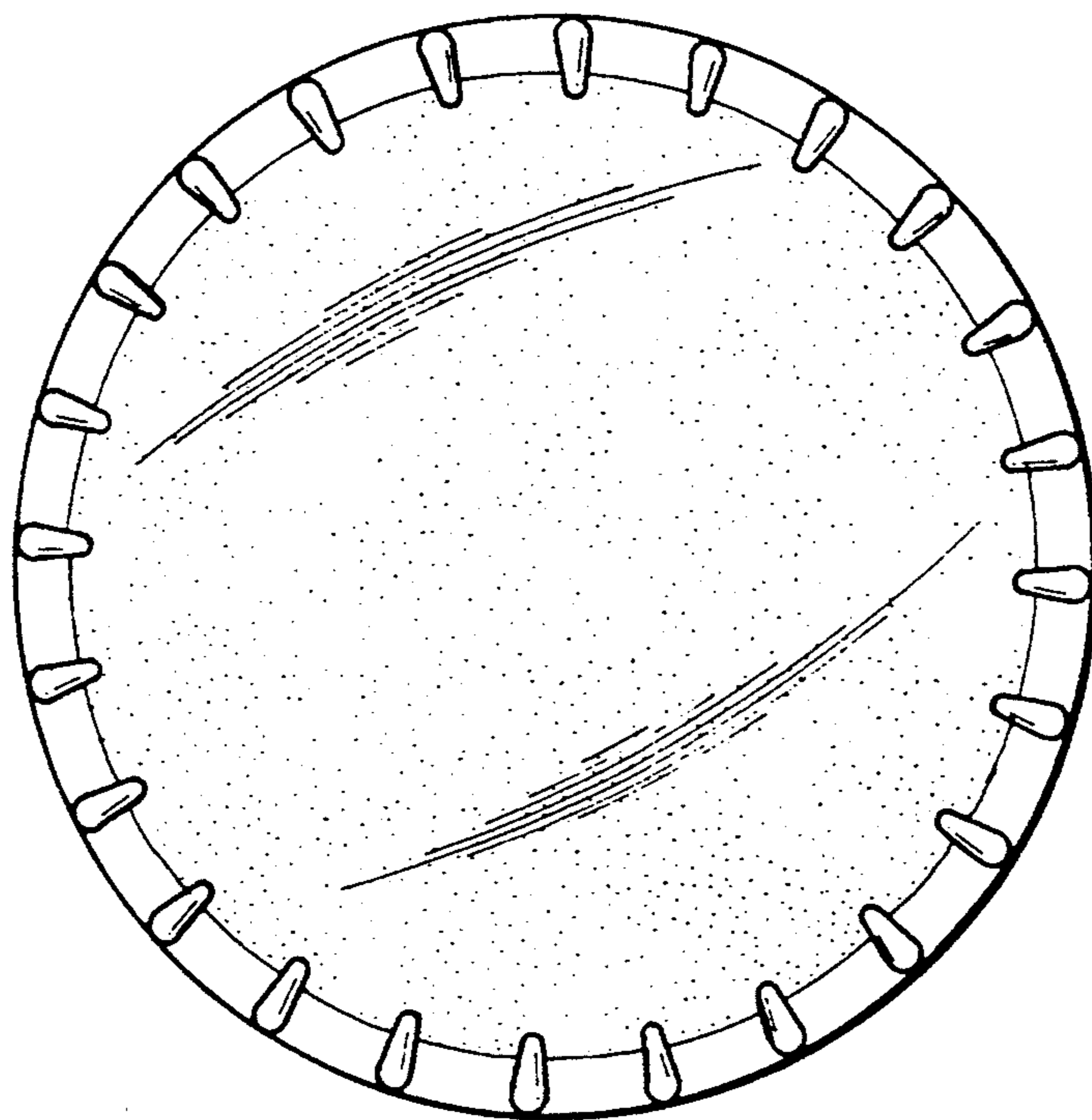


FIG. 2

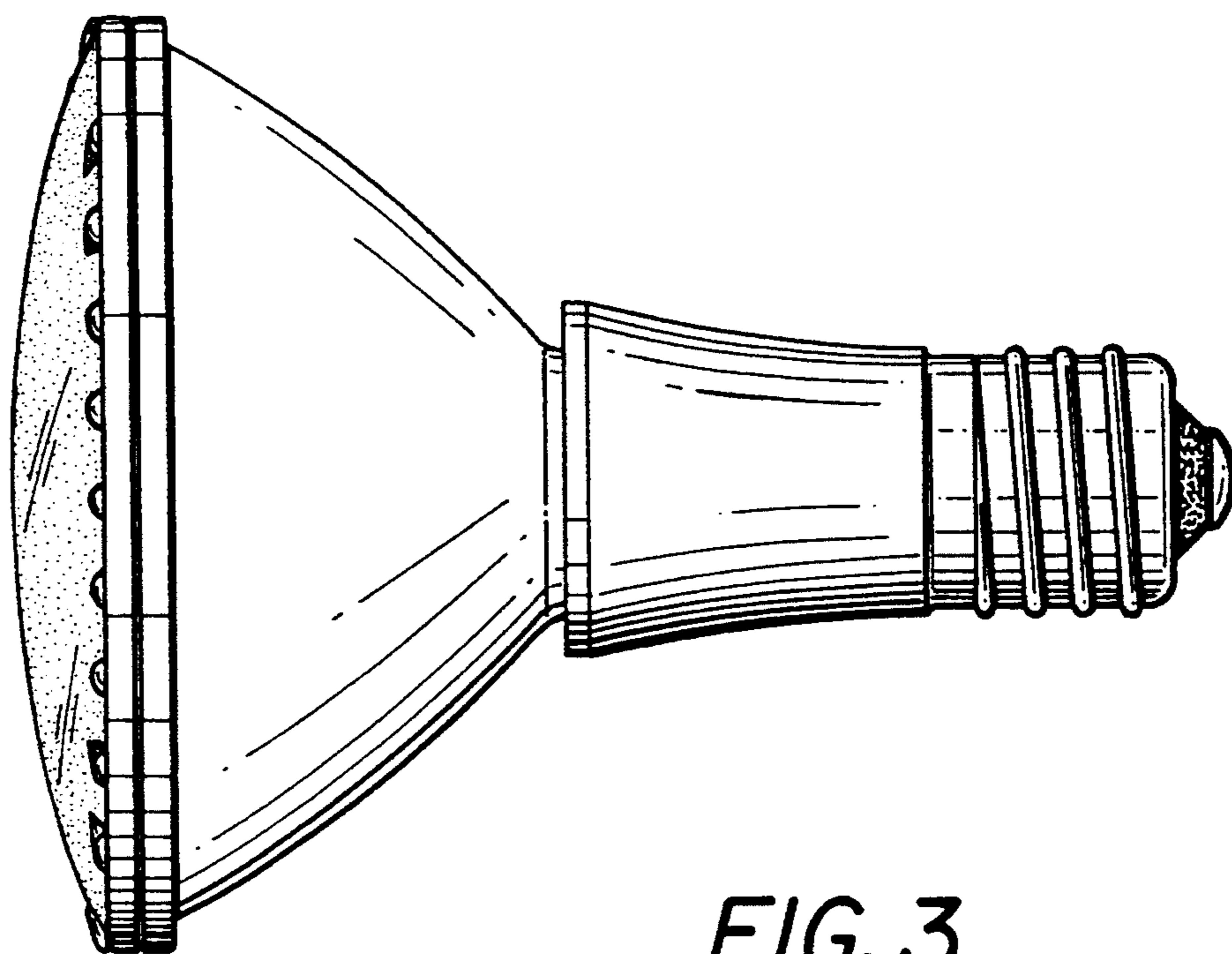


FIG. 3

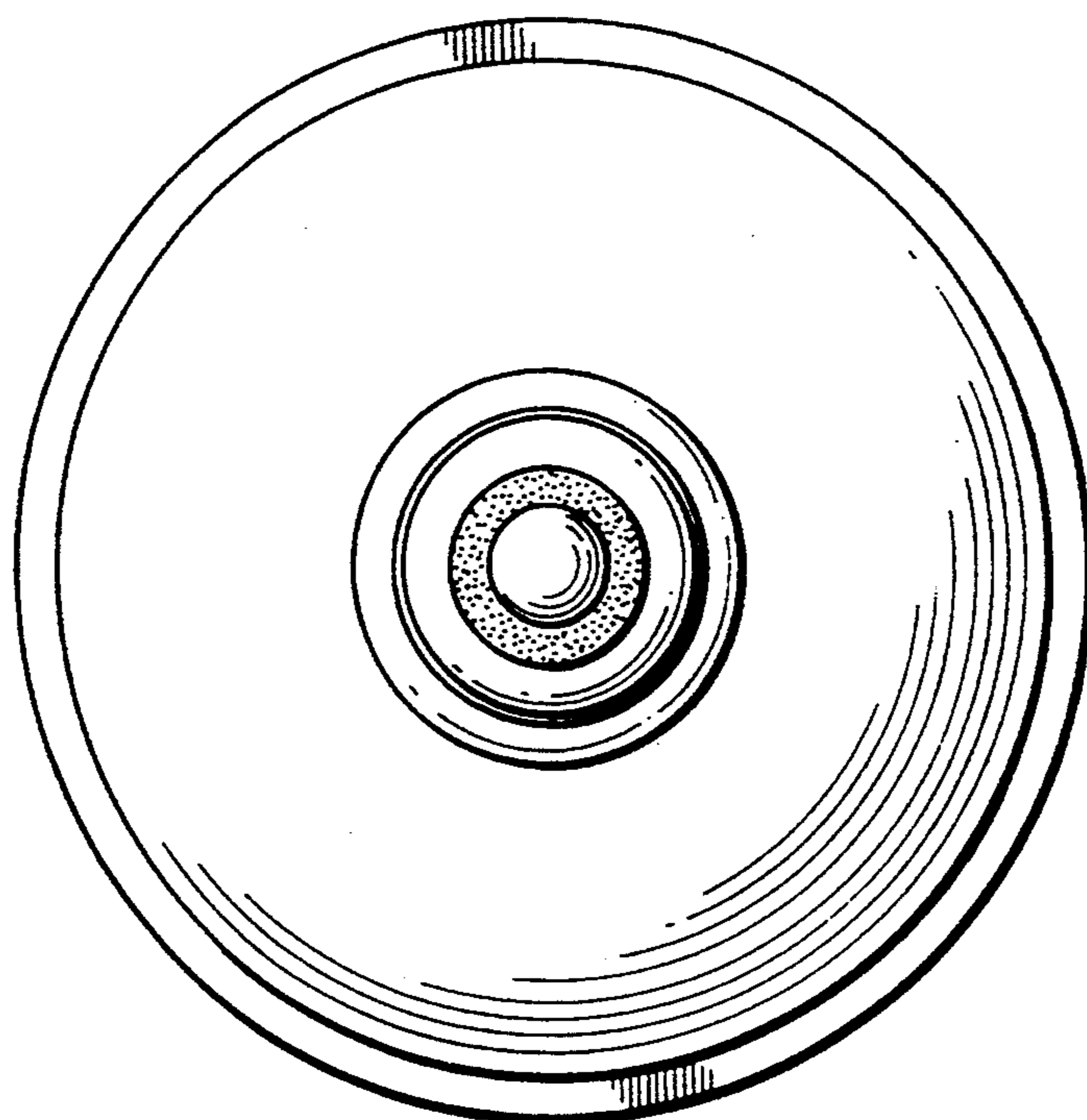


FIG. 4