



US00D352116S

United States Patent [19]

[11] Patent Number: **Des. 352,116**

Kienholz

[45] Date of Patent: **** Nov. 1, 1994**

[54] **SHIPPING CONTAINER FOR MEDICAL SPECIMEN**

[75] Inventor: **Charles A. Kienholz, Erie, Pa.**

[73] Assignee: **Erie Steel Products Company, Erie, Pa.**

[**] Term: **14 Years**

[21] Appl. No.: **3,223**

[22] Filed: **Dec. 30, 1992**

[52] U.S. Cl. **D24/227**

[58] Field of Search **62/529, 530, 457.1; 206/557, 562, 563, 564; 220/366, 367, 4; D24/227, 229**

4,645,079	2/1987	Hill	D24/229 X
4,777,930	10/1988	Hartz .	
4,882,914	11/1989	Haines-Keeley et al. .	
4,928,502	5/1990	Kumada et al. .	
4,938,222	7/1990	Bier, Jr. .	
4,955,516	9/1990	Satterfield .	
4,961,324	10/1990	Allan .	
4,982,843	1/1991	Jones	206/366
5,001,907	3/1991	LaCroix et al. .	

Primary Examiner—Stella Reid
Attorney, Agent, or Firm—Howson and Howson

[57] **CLAIM**

The ornamental design for a shipping container for medical specimen, as shown and described.

DESCRIPTION

FIG. 1 is a perspective view of a shipping container for medical specimen showing my new design; FIG. 2 is a top plan view thereof; FIG. 3 is a bottom plan view thereof; FIG. 4 is a front view thereof, the rear view being identical; FIG. 5 is a side view thereof, the opposite side view being identical; and, FIG. 6 is a perspective view thereof, showing the inside of the shipping container.

[56] **References Cited**

U.S. PATENT DOCUMENTS

662,541	11/1900	Miskolczy .	
3,292,810	12/1966	Schechter	220/4
3,802,220	4/1974	Pompo .	
4,294,079	10/1981	Benson .	
4,300,356	11/1981	Notaro et al.	62/457.1 X
4,509,587	4/1985	Clark et al. .	
4,530,816	7/1985	Douglas-Hamilton .	
4,580,412	4/1986	Wells .	
4,628,705	12/1986	Nave .	

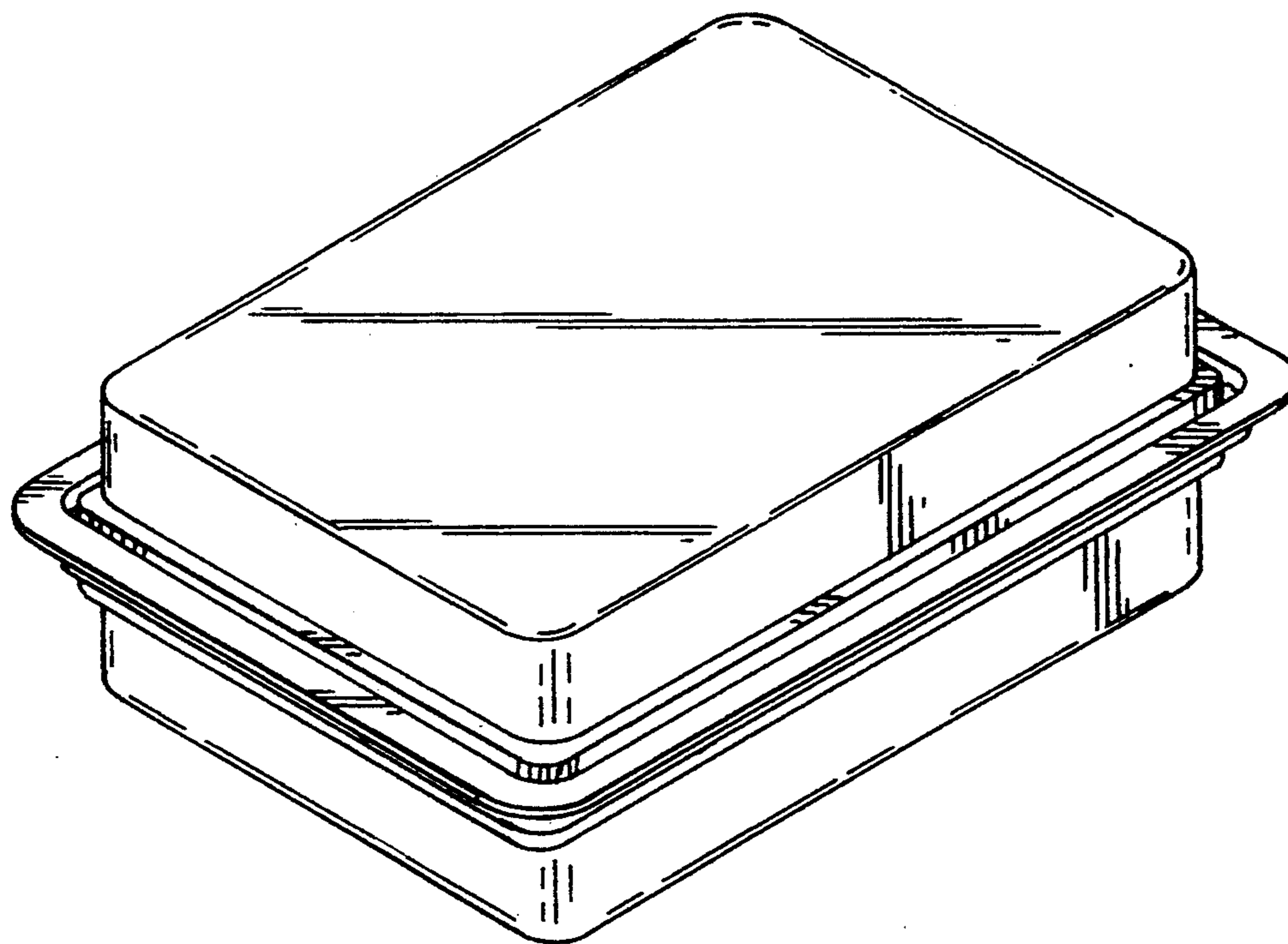


FIG. 1

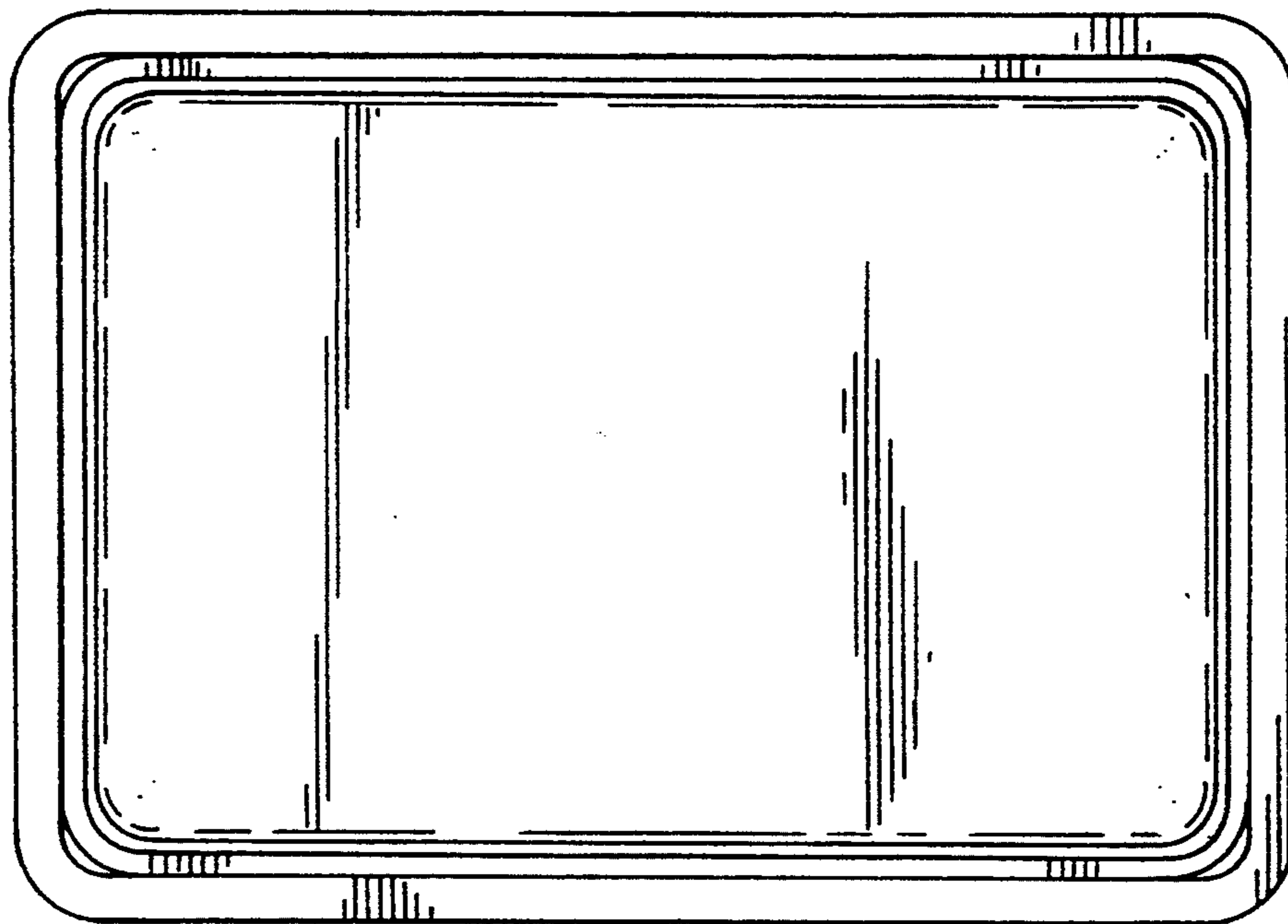
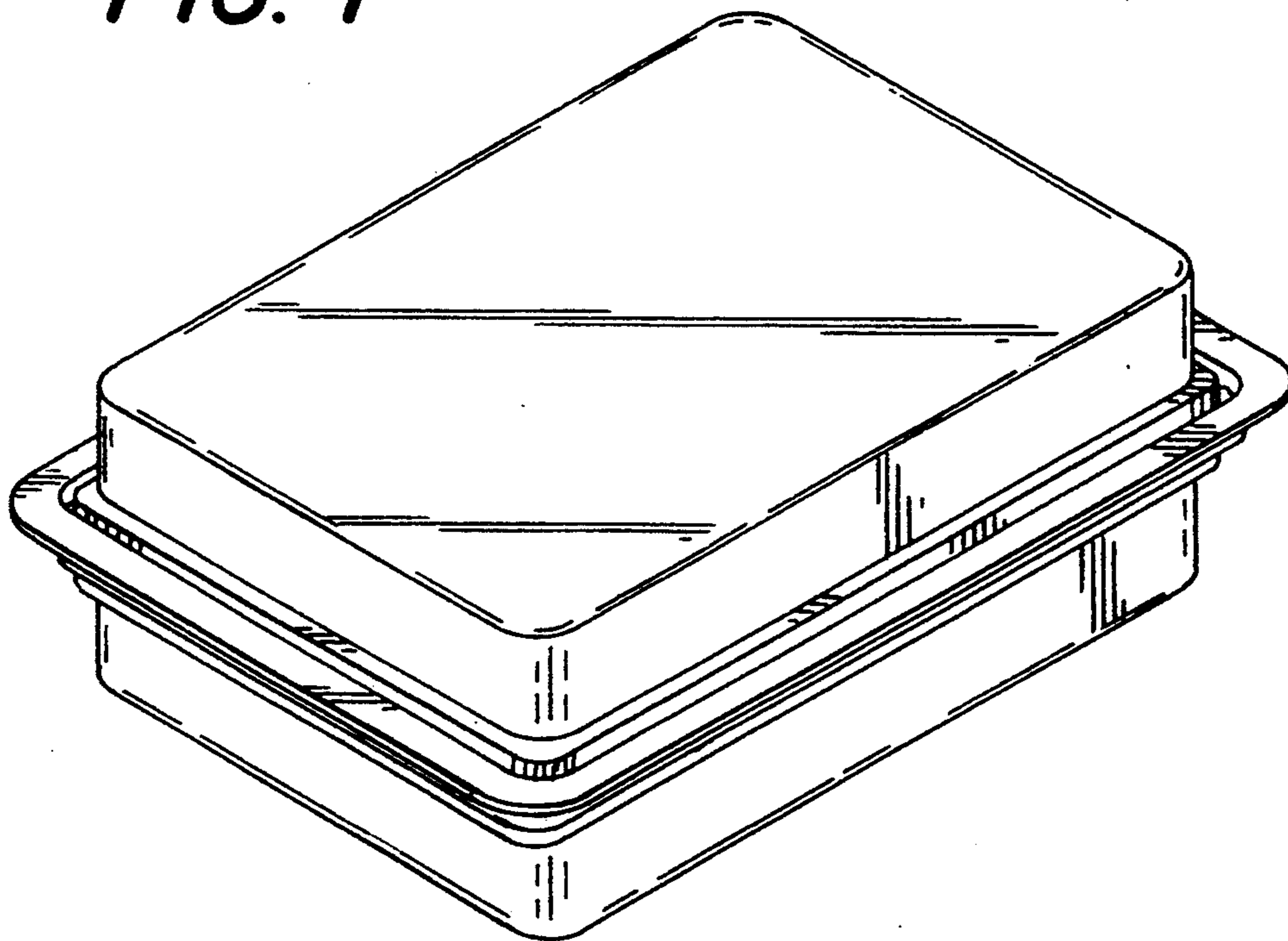


FIG. 2

FIG. 3

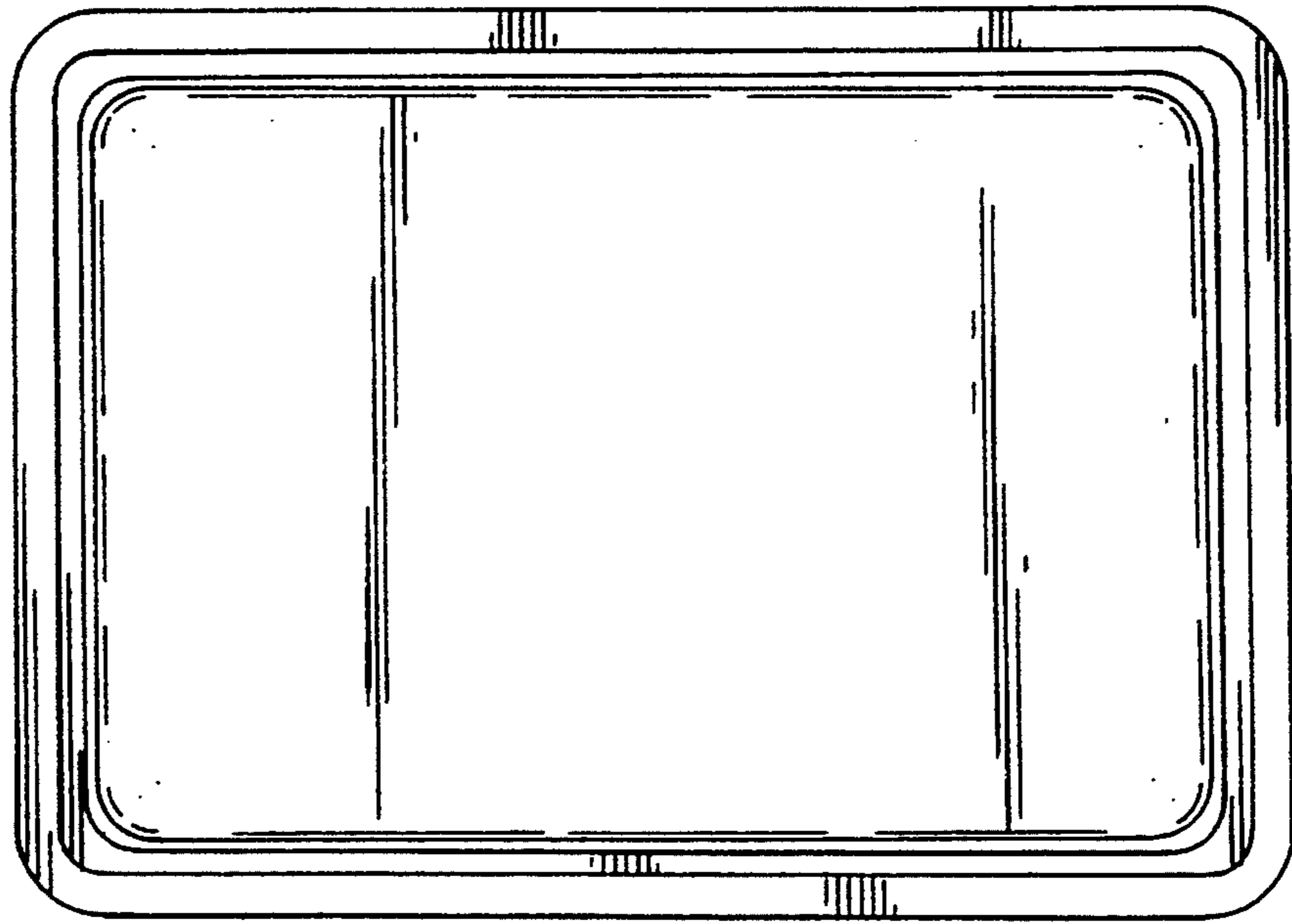


FIG. 4

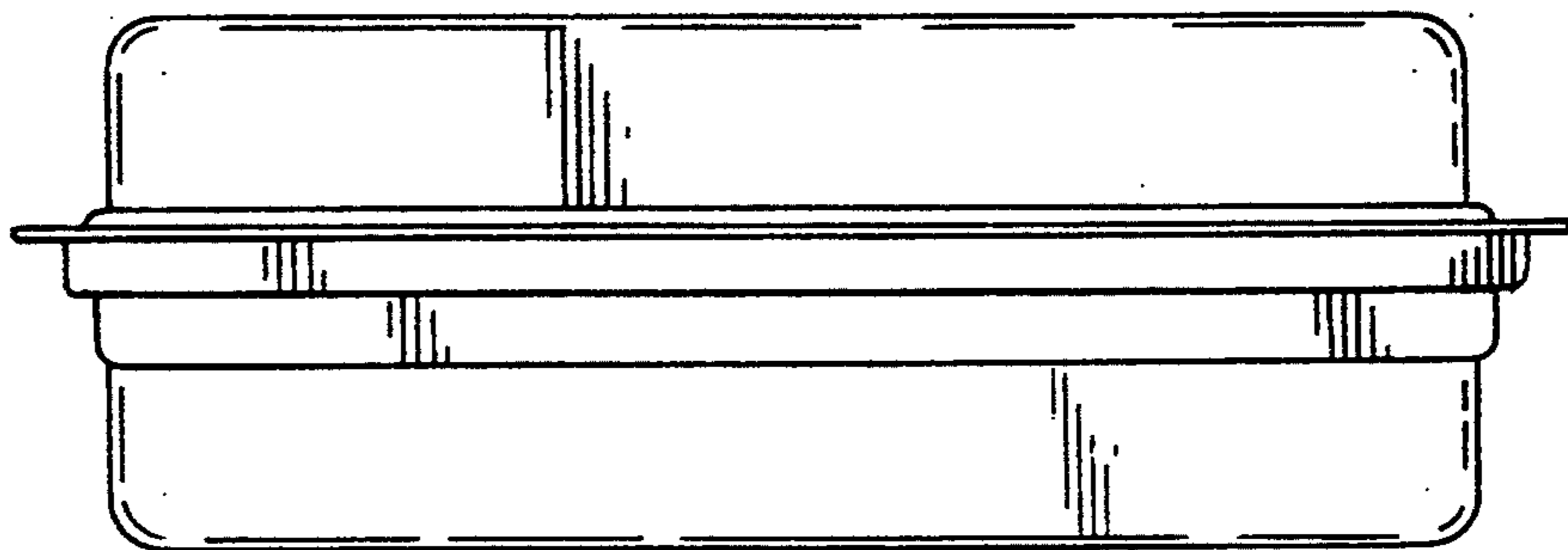
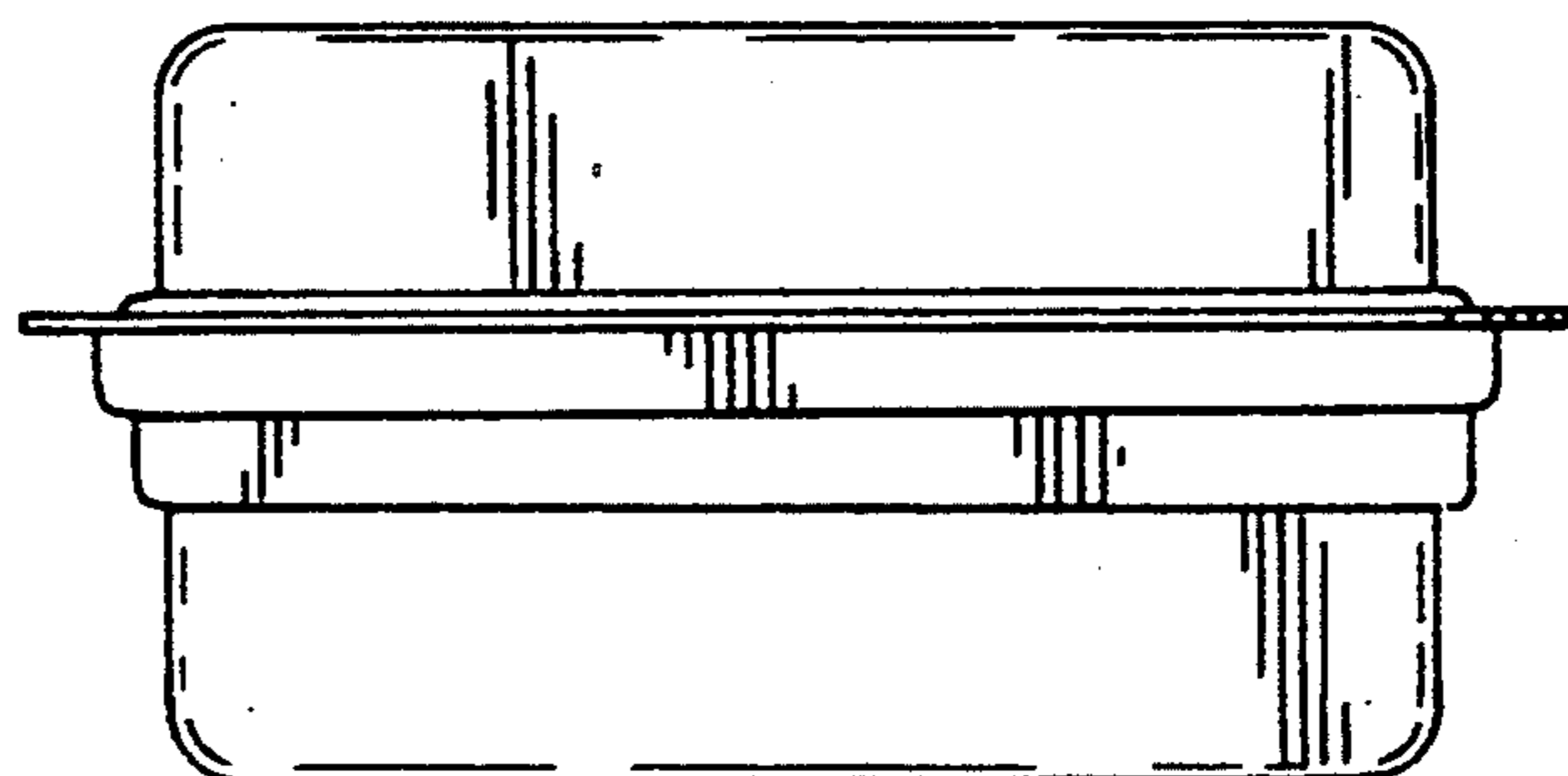


FIG. 5



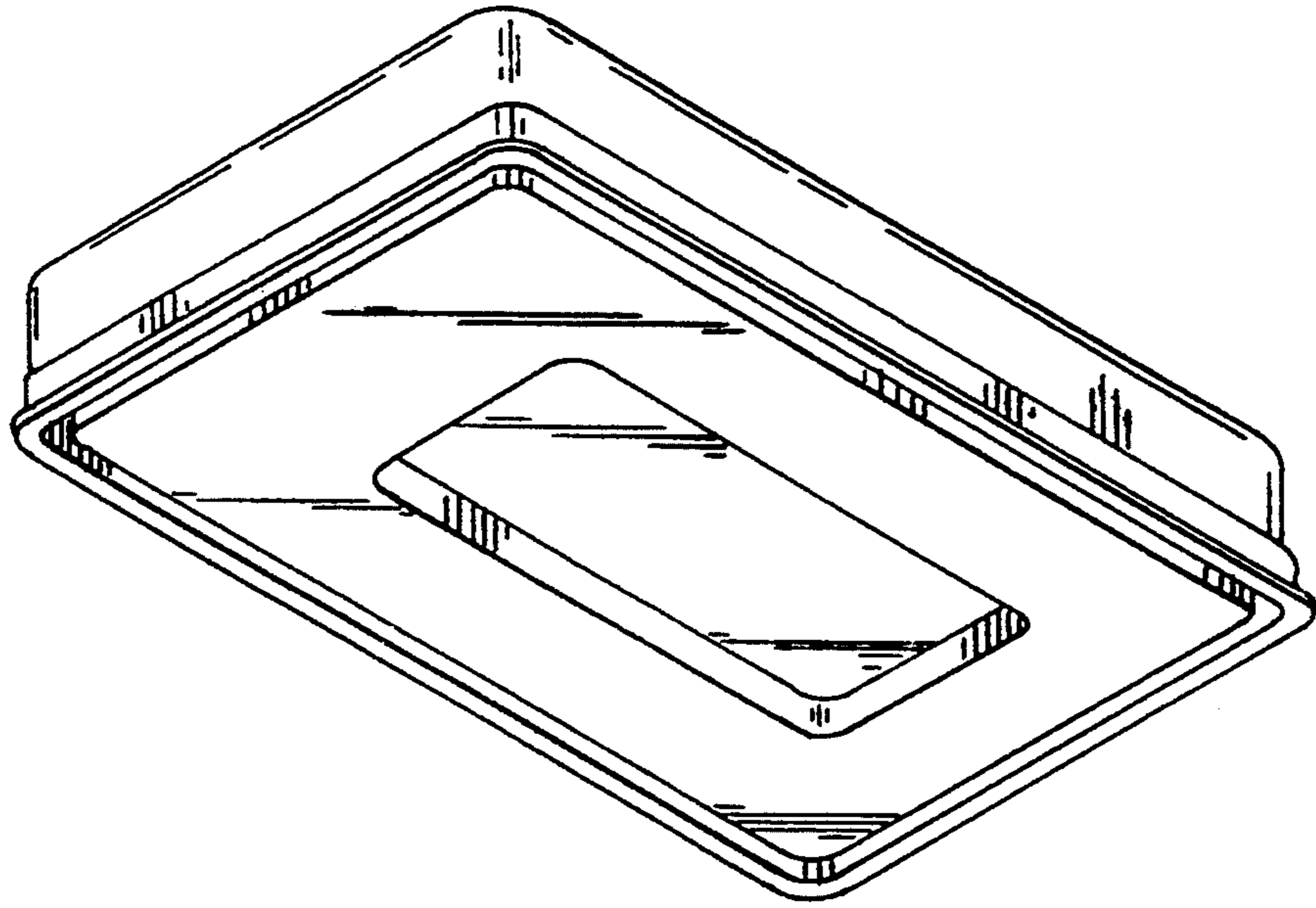


FIG. 6

