



US00D352112S

United States Patent [19]

[11] Patent Number: **Des. 352,112**

Coonrod

[45] Date of Patent: **** Nov. 1, 1994**

[54] **PATIENT ASSIST**
 [76] Inventor: **Betty J. Coonrod**, 8317 Spring Valley Rd., Belton, Mo. 64012
 [**] Term: **14 Years**
 [21] Appl. No.: **3,728**
 [22] Filed: **Jan. 19, 1993**
 [52] U.S. Cl. **D24/183**
 [58] Field of Search 248/127, 146, 154; 602/5, 23, 25; D24/184, 183, 190; D12/128, 130

4,349,195 9/1982 Johnston D24/190 X

Primary Examiner—Stella Reid
Attorney, Agent, or Firm—Hovey, Williams, Timmons & Collins

[57] CLAIM

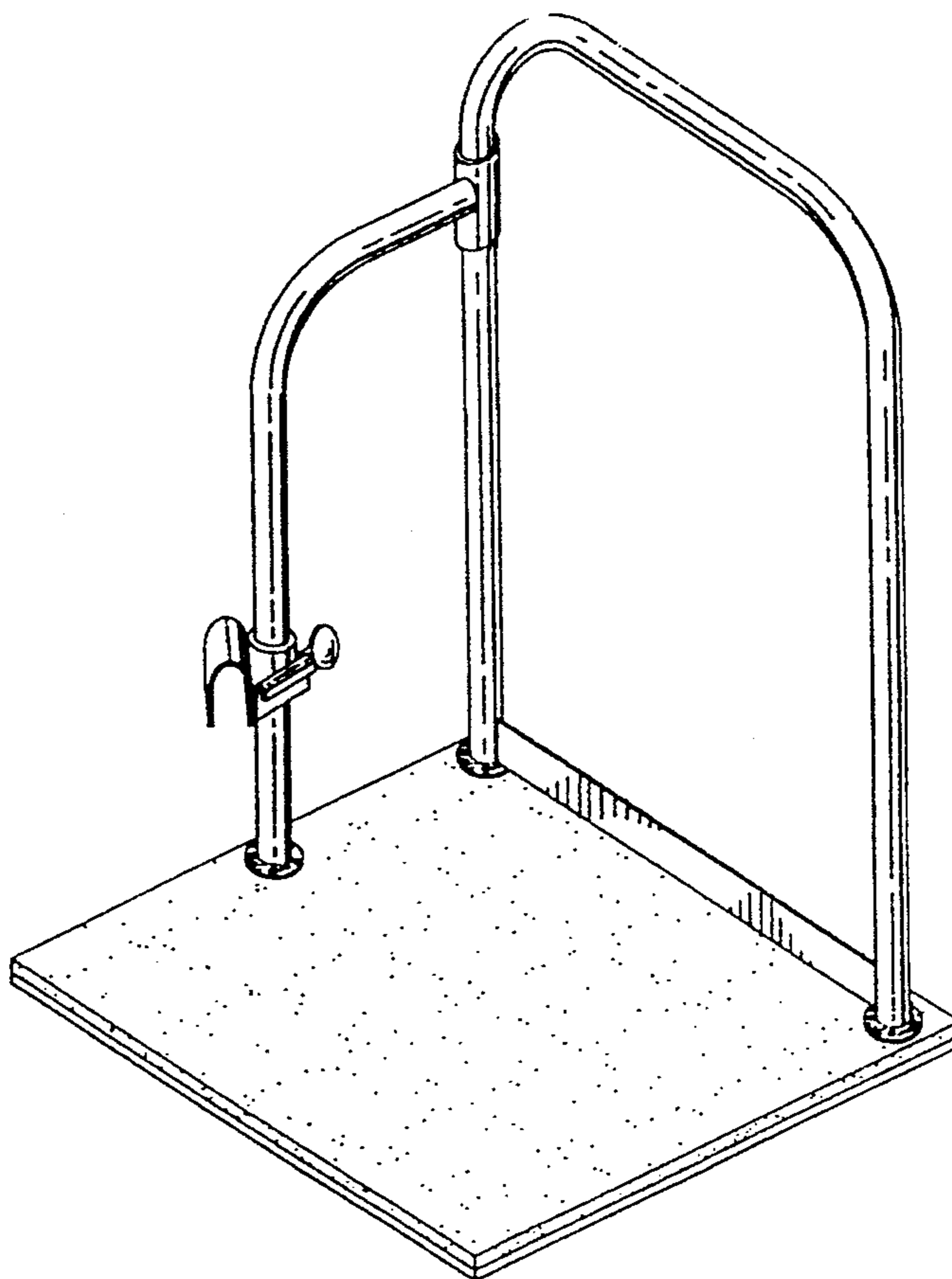
The ornamental design for a patient assistant, as shown and described.

DESCRIPTION

FIG. 1 is a perspective view of a patient assistant showing my new design;
 FIG. 2 is a front elevational view thereof;
 FIG. 3 is a rear elevational view thereof;
 FIG. 4 is a right side elevational view thereof;
 FIG. 5 is a left side elevational view thereof;
 FIG. 6 is a top plan view thereof; and,
 FIG. 7 is a bottom view thereof.

[56] **References Cited**
U.S. PATENT DOCUMENTS

D. 307,055 4/1990 Johnston D24/190
 3,958,568 5/1976 Gaddy 602/5
 4,029,089 6/1977 Mulholland D24/190 X



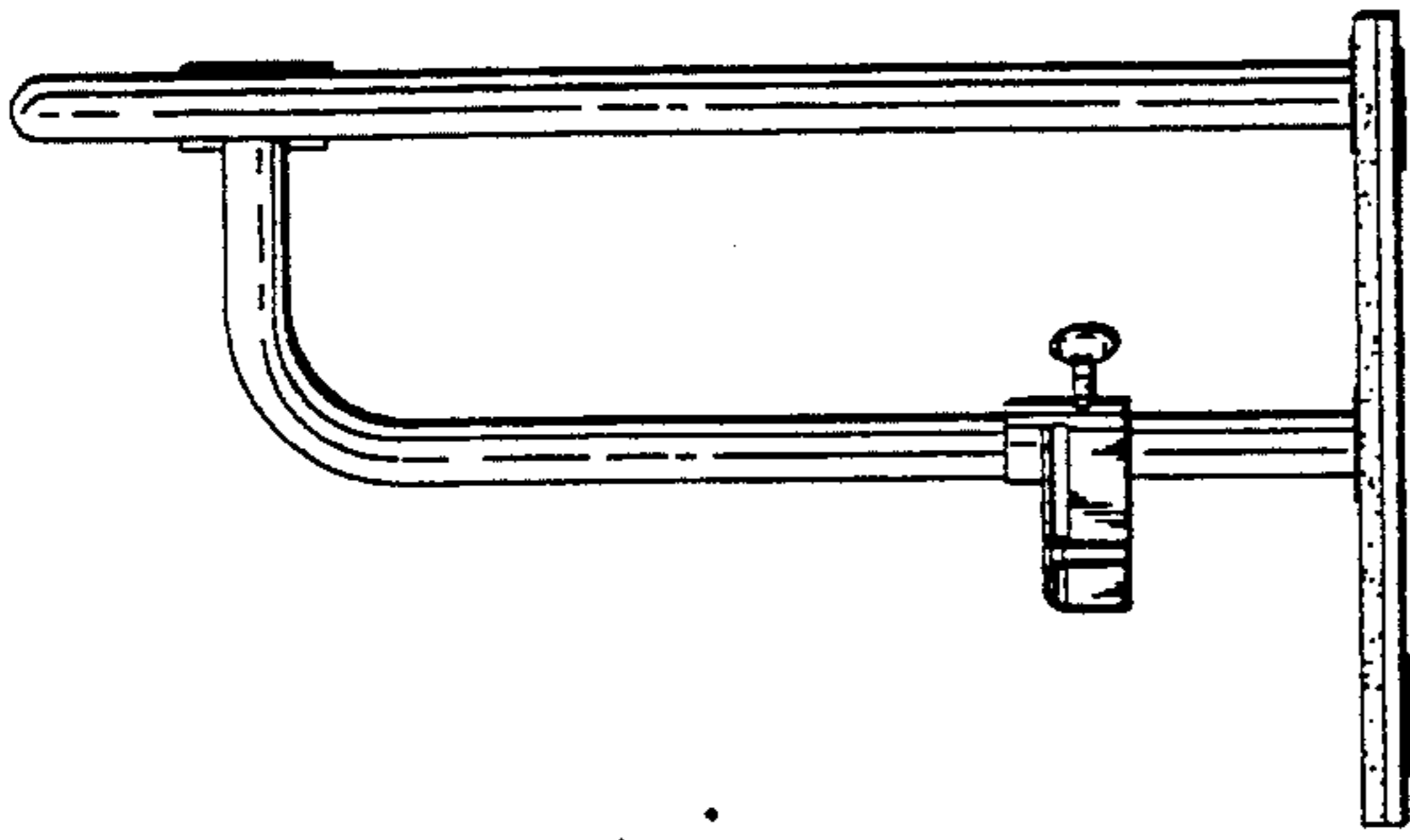
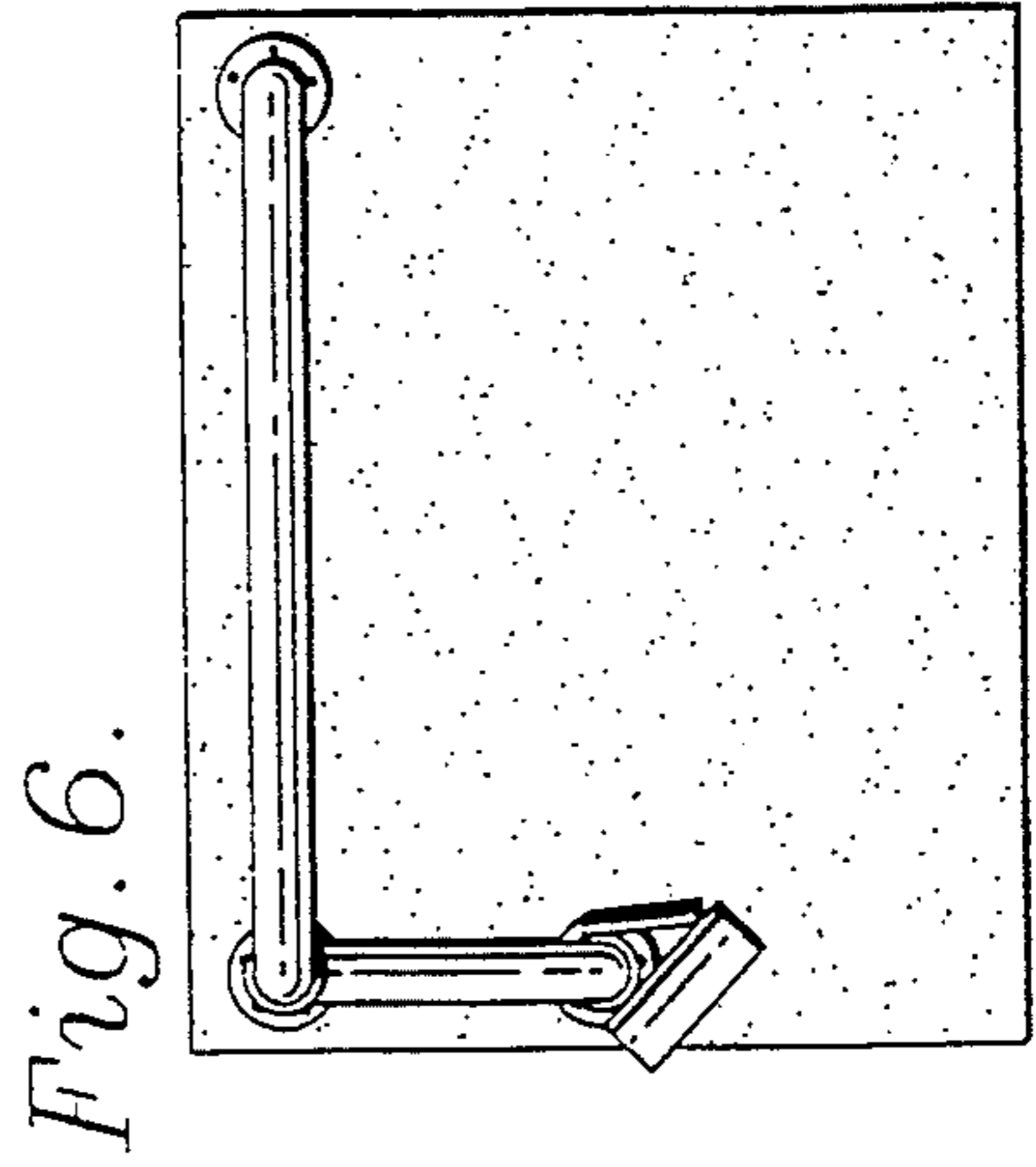
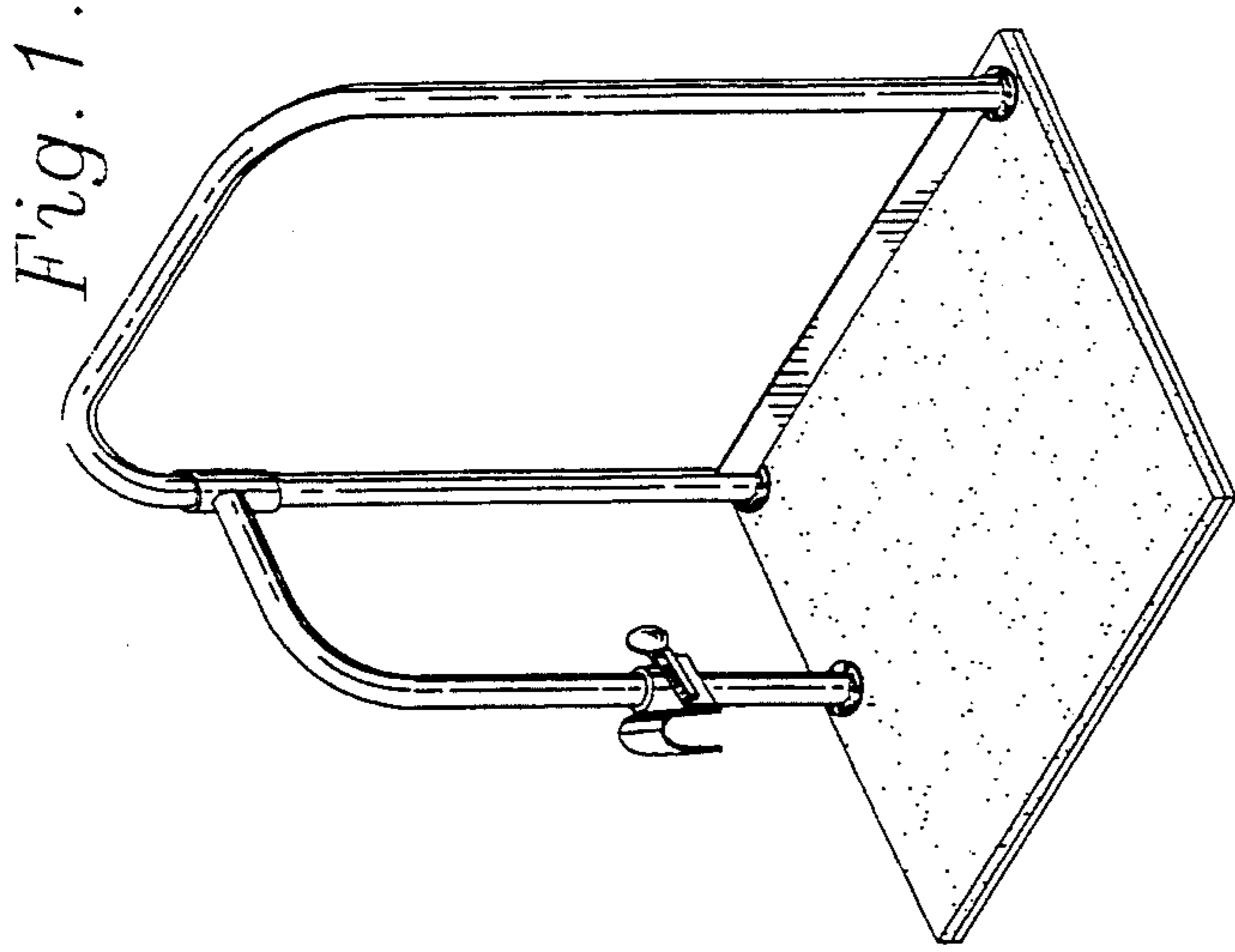


Fig. 5.

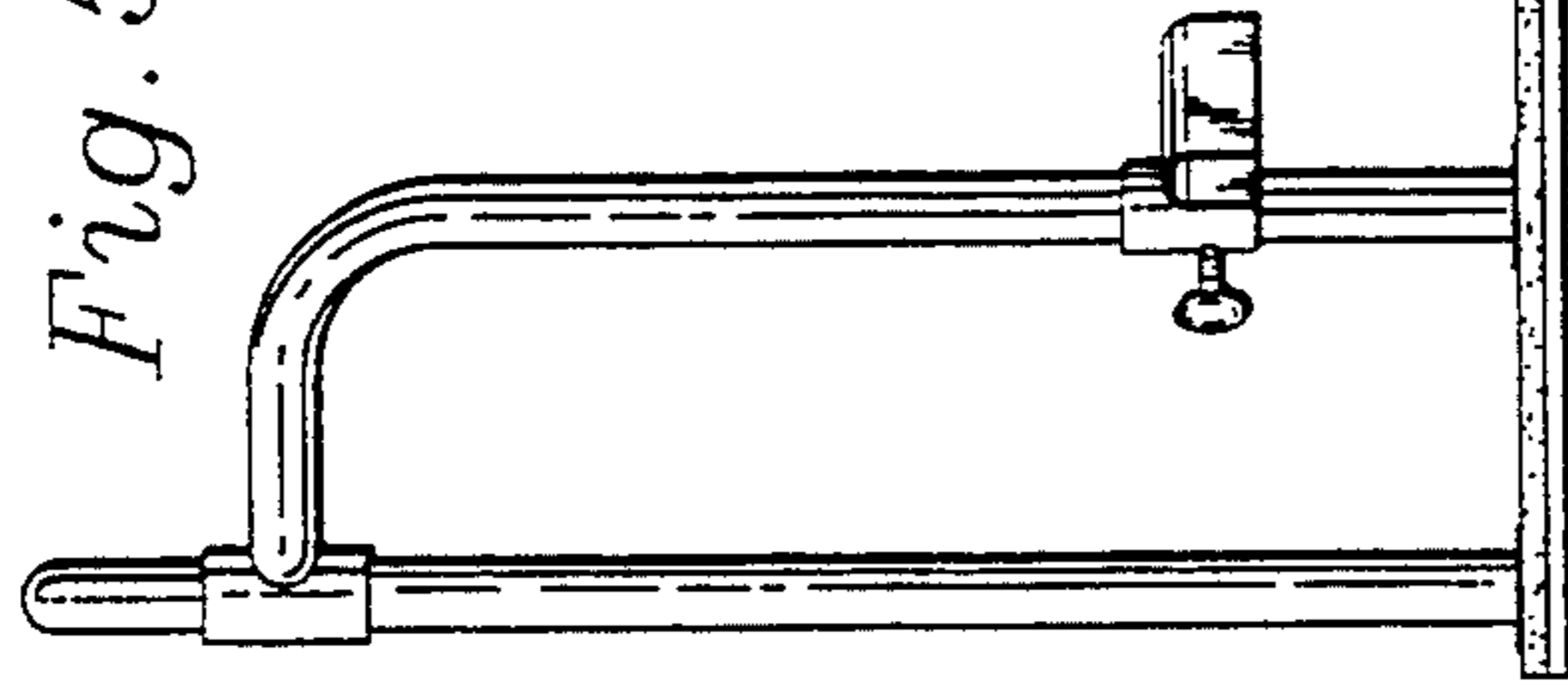


Fig. 7.

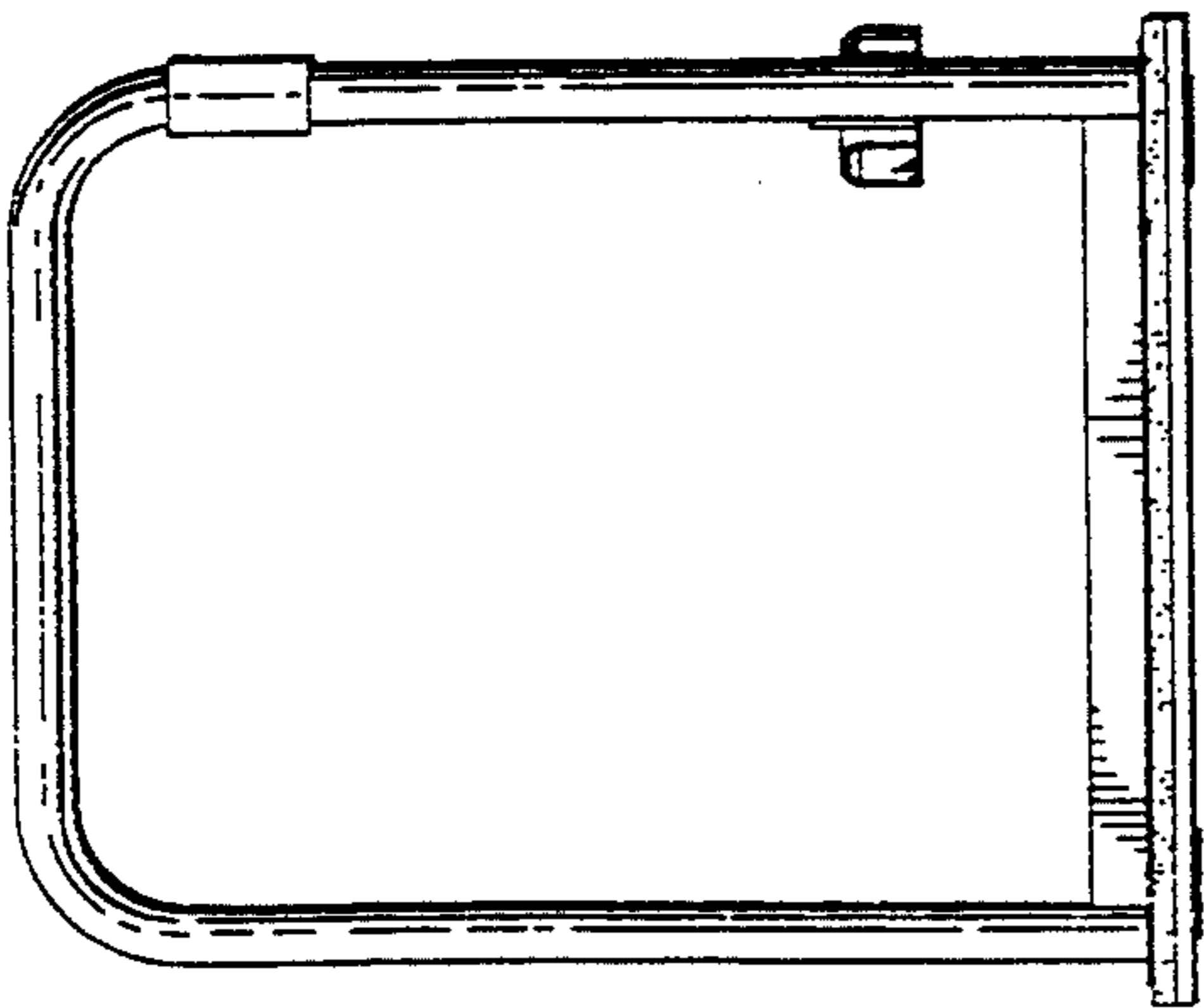
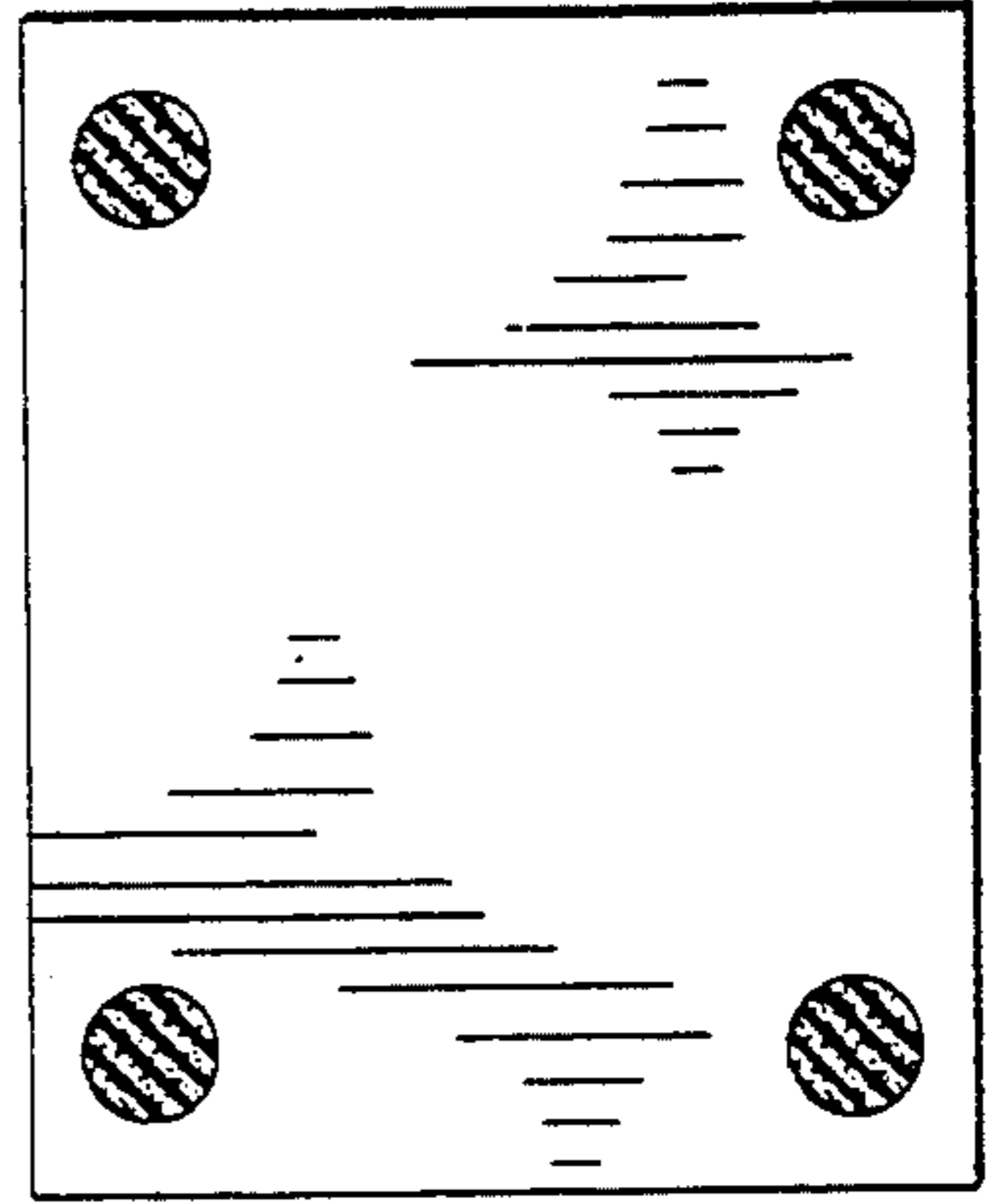


Fig. 3.

